



US00D873823S

(12) **United States Design Patent**  
**Kurita**

(10) **Patent No.:** **US D873,823 S**

(45) **Date of Patent:** **\*\* Jan. 28, 2020**

(54) **ARTICLE INFORMATION INDICATOR**

(71) Applicant: **SK-Electronics Co., Ltd.**, Kyoto-shi (JP)

(72) Inventor: **Tadashi Kurita**, Kyoto (JP)

(73) Assignee: **SK-Electronics Co., Ltd.**, Kyoto-shi (JP)

(\*\*) Term: **15 Years**

(21) Appl. No.: **29/642,033**

(22) Filed: **Mar. 27, 2018**

(30) **Foreign Application Priority Data**

Oct. 3, 2017 (JP) ..... 2017-021911

(51) **LOC (12) Cl.** ..... **14-02**

(52) **U.S. Cl.**  
USPC ..... **D14/371**; D10/46; D20/10

(58) **Field of Classification Search**  
USPC ..... D14/336, 339, 340, 341, 371, 376, 448, D14/450, 126, 129, 203.1, 224.1, 239, D14/300, 302, 307, 900, 902; D20/10, D20/21, 41, 43; D24/107, 185, 186; D13/199; D10/46, 67, 75, 79, 98, 97  
CPC .... G06F 3/0412; G06F 11/321; G06F 11/322; G06F 11/323; G06F 11/324; G09F 2013/0418; G09F 2013/0431; G09F 2013/1872; G09F 2019/22; G09F 2019/225; G09F 3/00; G09F 3/208  
See application file for complete search history.

(56) **References Cited**

**U.S. PATENT DOCUMENTS**

D171,909 S \* 4/1954 Nelson ..... D20/10  
D229,515 S \* 12/1973 Salsgiver ..... D10/46  
D238,481 S \* 1/1976 Ducommun ..... D10/46  
D244,036 S \* 4/1977 Tyrrell ..... D14/358  
D257,588 S \* 12/1980 Cadotte ..... D14/338  
D258,655 S \* 3/1981 Levy ..... D14/346

D261,884 S \* 11/1981 Beadle ..... D14/331  
D267,092 S \* 11/1982 Chadima, Jr. .... D14/339  
D289,291 S \* 4/1987 Kapper ..... D14/389  
D289,760 S \* 5/1987 Rummel ..... D14/339  
4,725,694 A \* 2/1988 Auer ..... G06F 3/04886  
345/173  
D298,038 S \* 10/1988 Brown ..... D18/4.6  
D300,043 S \* 2/1989 Silverman ..... D20/10  
D310,515 S \* 9/1990 Bianco ..... D14/371  
D313,793 S \* 1/1991 Kato ..... D14/339

(Continued)

**OTHER PUBLICATIONS**

Article information displays. (Design—© Questel) orbit.com. [online PDF] 29 pgs. Print Dates Range Dec. 20, 2004 through Feb. 19, 2019. [Retrieved on Sep. 25, 2019] <https://sobjprd.questel.fr/export/QPTUJ214/pdf2/5e3011c5-871b-4713-ad63-a911433e2501-204313.pdf>.\*

*Primary Examiner* — Marie D. Fast Horse

(74) *Attorney, Agent, or Firm* — The Webb Law Firm

(57) **CLAIM**

The ornamental design for an article information indicator, as shown and described.

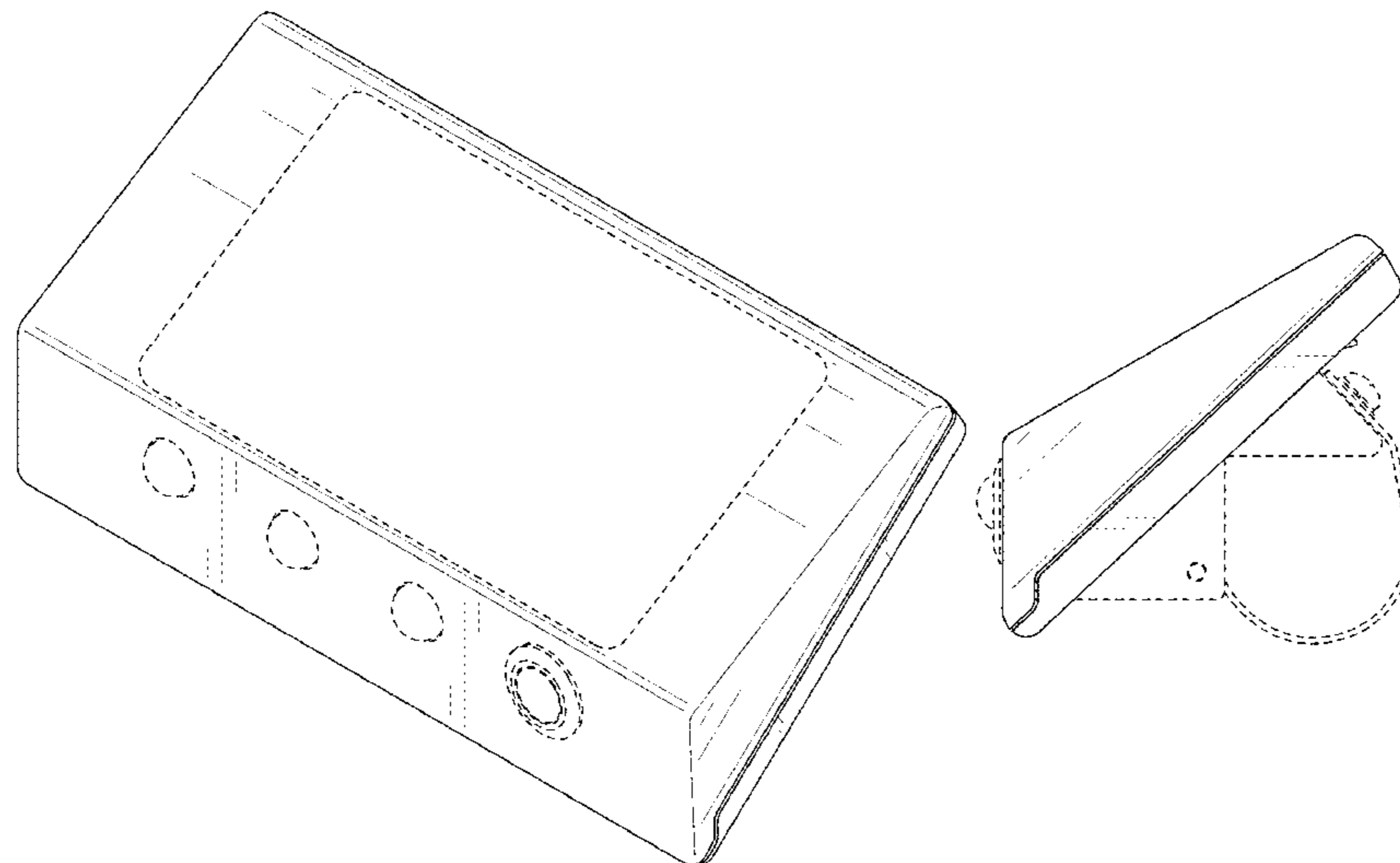
**DESCRIPTION**

FIG. 1 is an upper perspective view of an article information indicator, showing my new design;  
FIG. 2 is a front elevation view thereof;  
FIG. 3 is a rear elevation view thereof;  
FIG. 4 is a left side elevation view thereof;  
FIG. 5 is a right side elevation view thereof;  
FIG. 6 is a top view thereof;  
FIG. 7 is a bottom view thereof; and,  
FIG. 8 is an enlarged end view thereof taken along lines 8-8 shown in FIG. 2.

The portions of the article information indicator shown in broken lines form no part of the claimed design.

The broken lines form no part of the claimed design.

**1 Claim, 5 Drawing Sheets**



(56)

References Cited

U.S. PATENT DOCUMENTS

D319,434 S *	8/1991	Lund	D14/341	D676,414 S *	2/2013	Holzer	D14/172
D348,661 S *	7/1994	Hansen	D14/389	D678,530 S *	3/2013	Khan	D24/186
5,633,660 A *	5/1997	Hansen	G06F 3/0412	D682,432 S *	5/2013	Khan	D24/186
			345/156	D690,137 S *	9/2013	Kikkert	D6/672
D447,136 S *	8/2001	Groves	D14/336	D691,096 S *	10/2013	Beroukas	D13/162
D456,020 S *	4/2002	Obata	D14/336	D702,579 S *	4/2014	Lee	D10/108
D457,869 S *	5/2002	Narita	D14/150	D703,311 S *	4/2014	Daly	D24/110
D507,566 S *	7/2005	Leisinger	D14/336	D709,046 S *	7/2014	Broadbent	D14/142
D520,989 S *	5/2006	Miller	D14/218	D718,282 S *	11/2014	Bennett	D13/163
D542,849 S *	5/2007	Hill	D14/129	D718,748 S *	12/2014	Pan	D14/159
D571,013 S *	6/2008	Kitamura	D24/165	D731,662 S *	6/2015	Khan	D24/186
D583,060 S *	12/2008	Kitamura	D24/165	D745,512 S *	12/2015	Lee	D14/336
D585,056 S *	1/2009	Ekelund	D14/336	D762,648 S *	8/2016	Akana	D14/434
D589,914 S *	4/2009	Wang	D14/125	D762,649 S *	8/2016	Akana	D14/447
D595,703 S *	7/2009	Ahlgren	D14/240	D763,827 S *	8/2016	McMillen	D14/217
D598,551 S *	8/2009	Miwa	D24/186	D770,051 S *	10/2016	Eggli	D24/186
D626,550 S *	11/2010	Julien	D14/341	D780,489 S *	3/2017	LoBianco	D6/678.3
D630,192 S *	1/2011	Heppener	D14/226	D780,766 S *	3/2017	Akana	D14/447
D633,495 S *	3/2011	Yoon	D14/356	D793,386 S *	8/2017	Park	D14/341
D638,545 S *	5/2011	Okawa	D24/186	D800,320 S *	10/2017	Nishikawa	D24/186
D641,881 S *	7/2011	Inami	D24/165	D805,639 S *	12/2017	Lee	D24/144
D673,952 S *	1/2013	Toda	D14/383	D808,352 S *	1/2018	Won	D14/125
				D812,140 S *	3/2018	Lee	D20/10
				D833,418 S *	11/2018	Warden	D14/217
				D834,015 S *	11/2018	Case	D14/371

\* cited by examiner

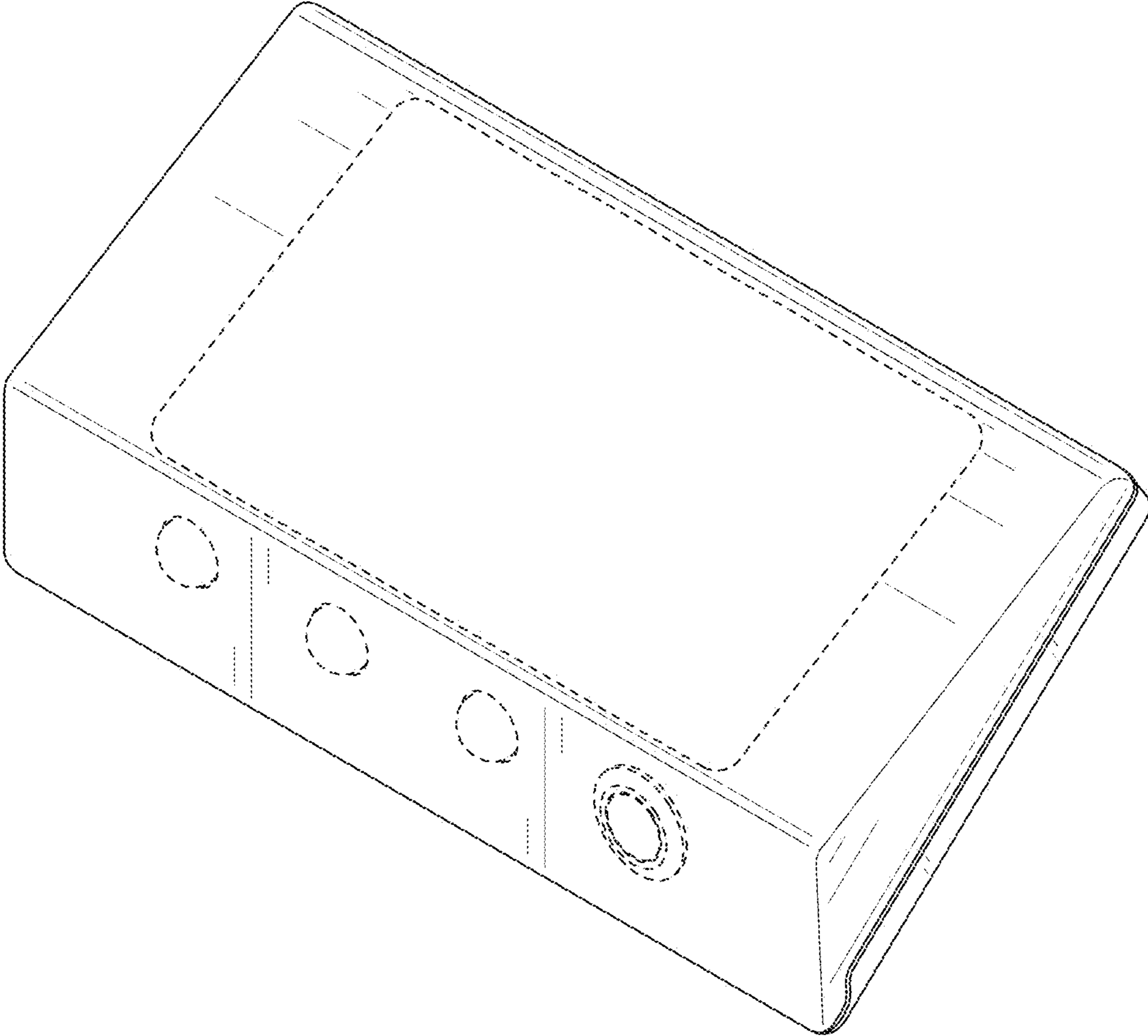
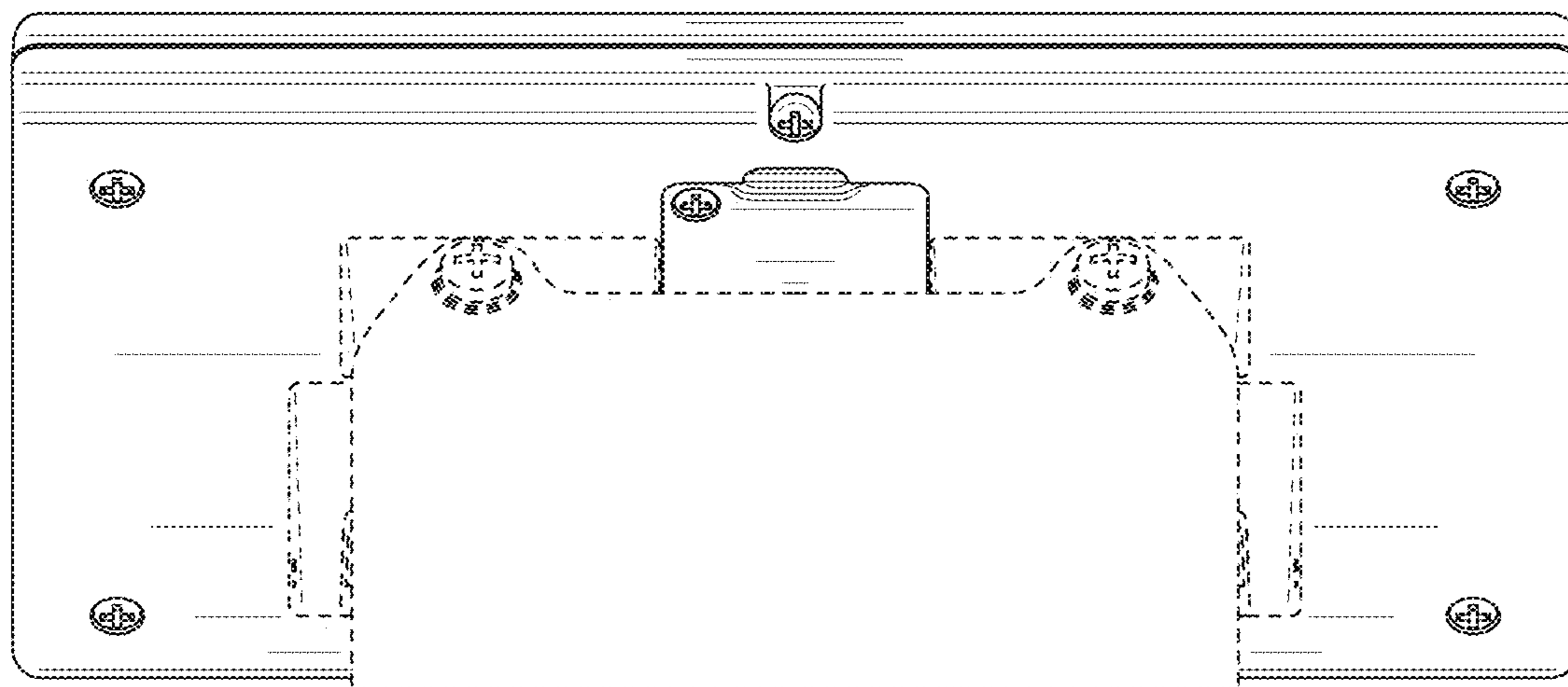
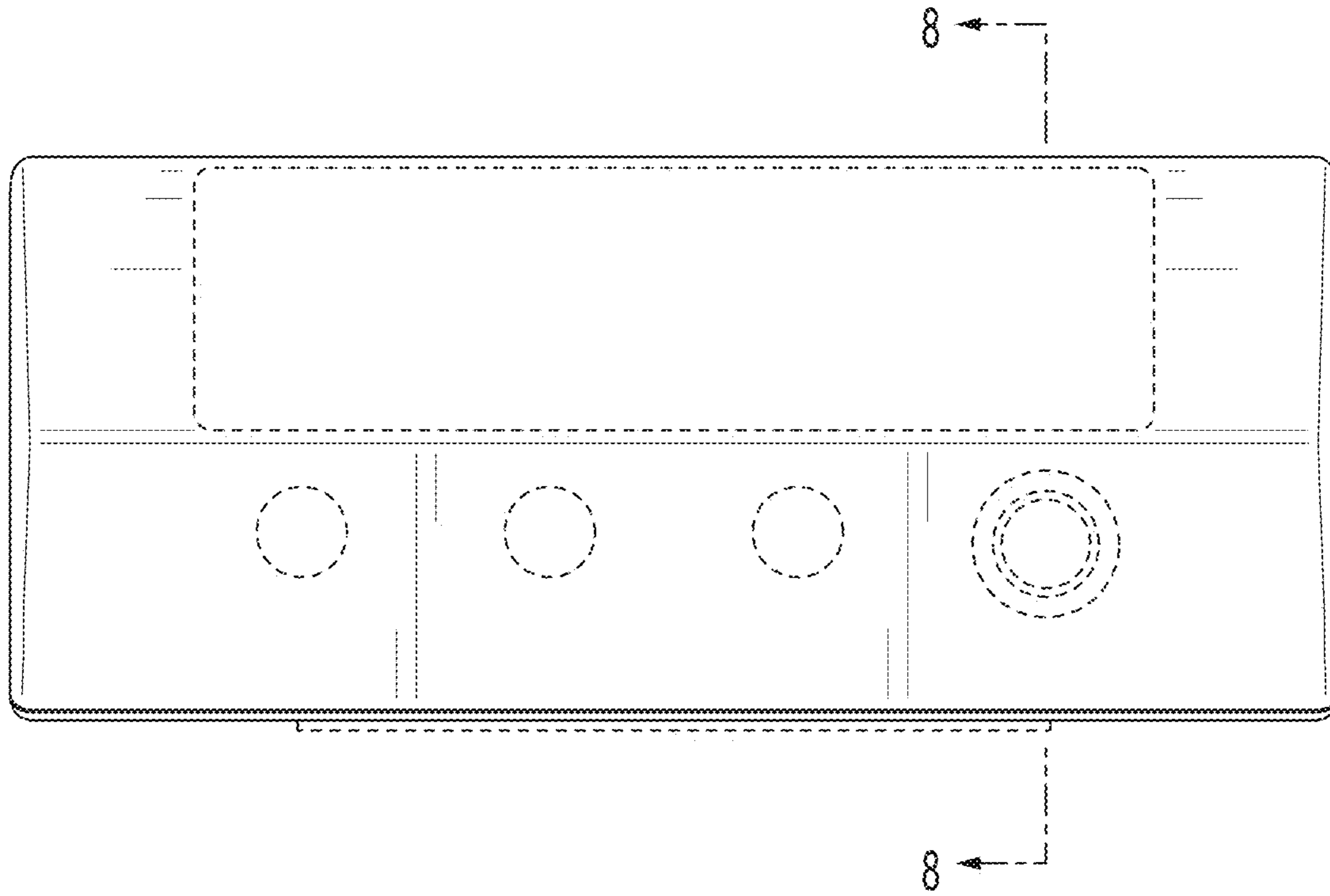


FIG. 1





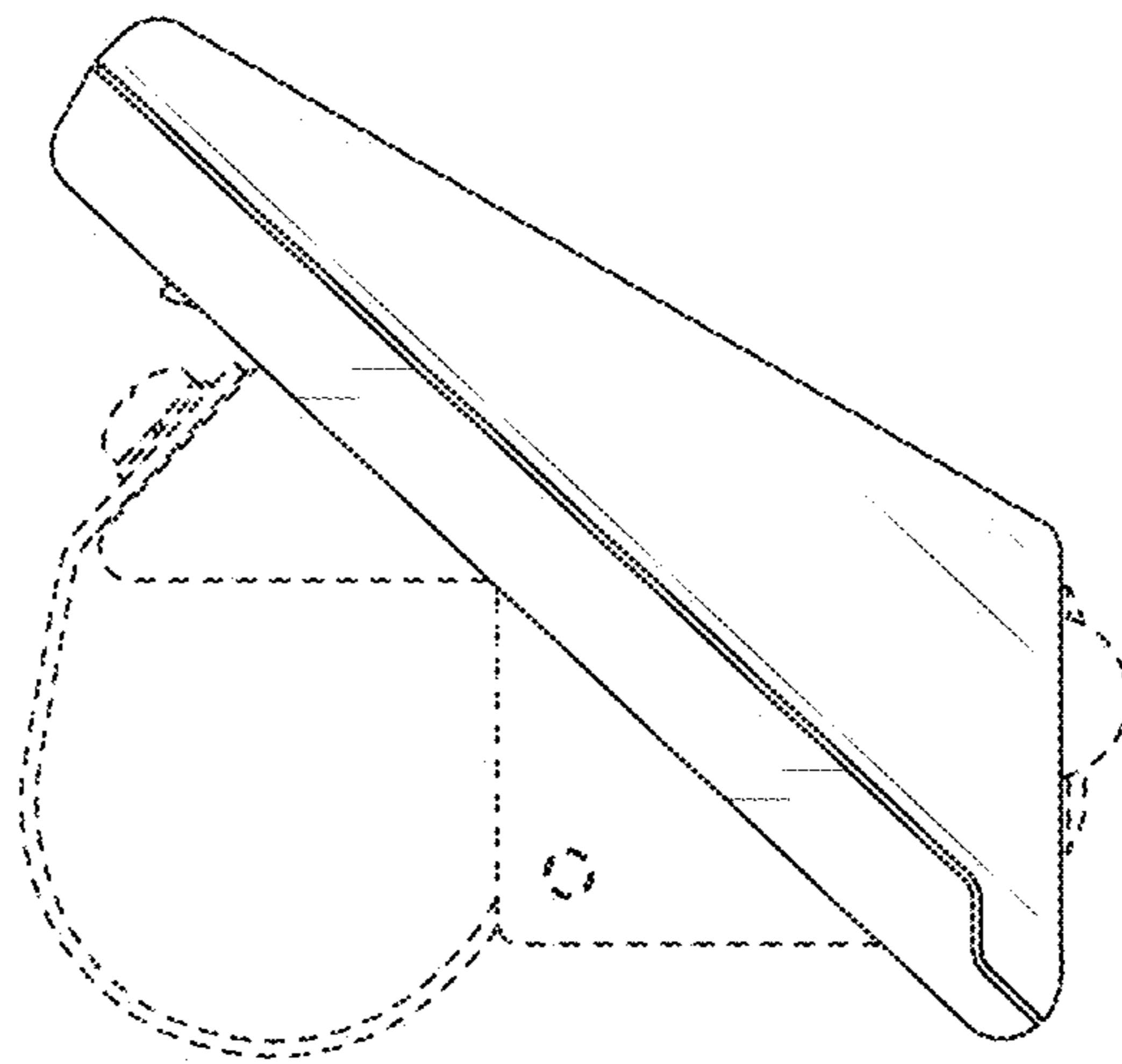


FIG. 4

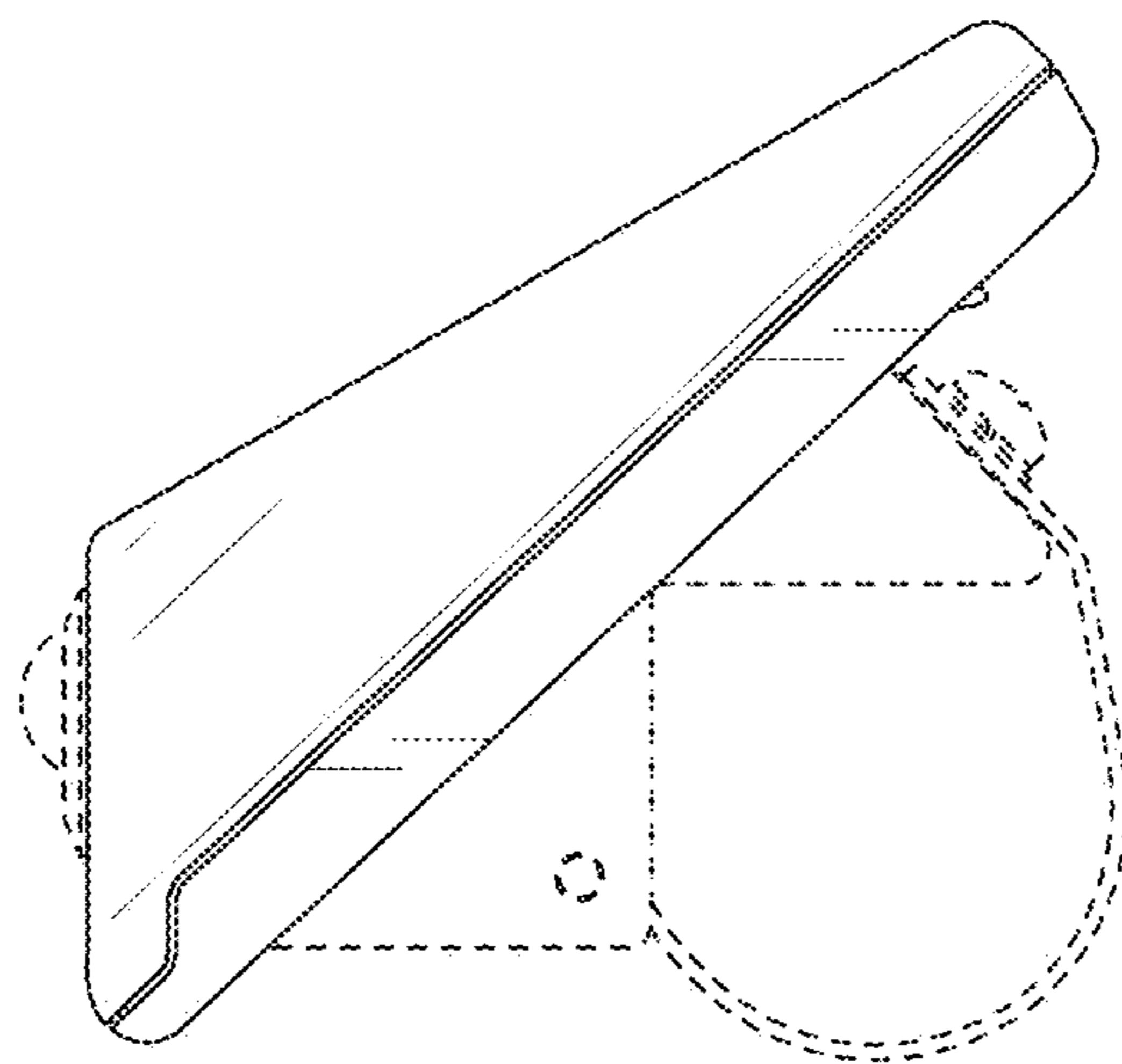


FIG. 5



FIG. 6

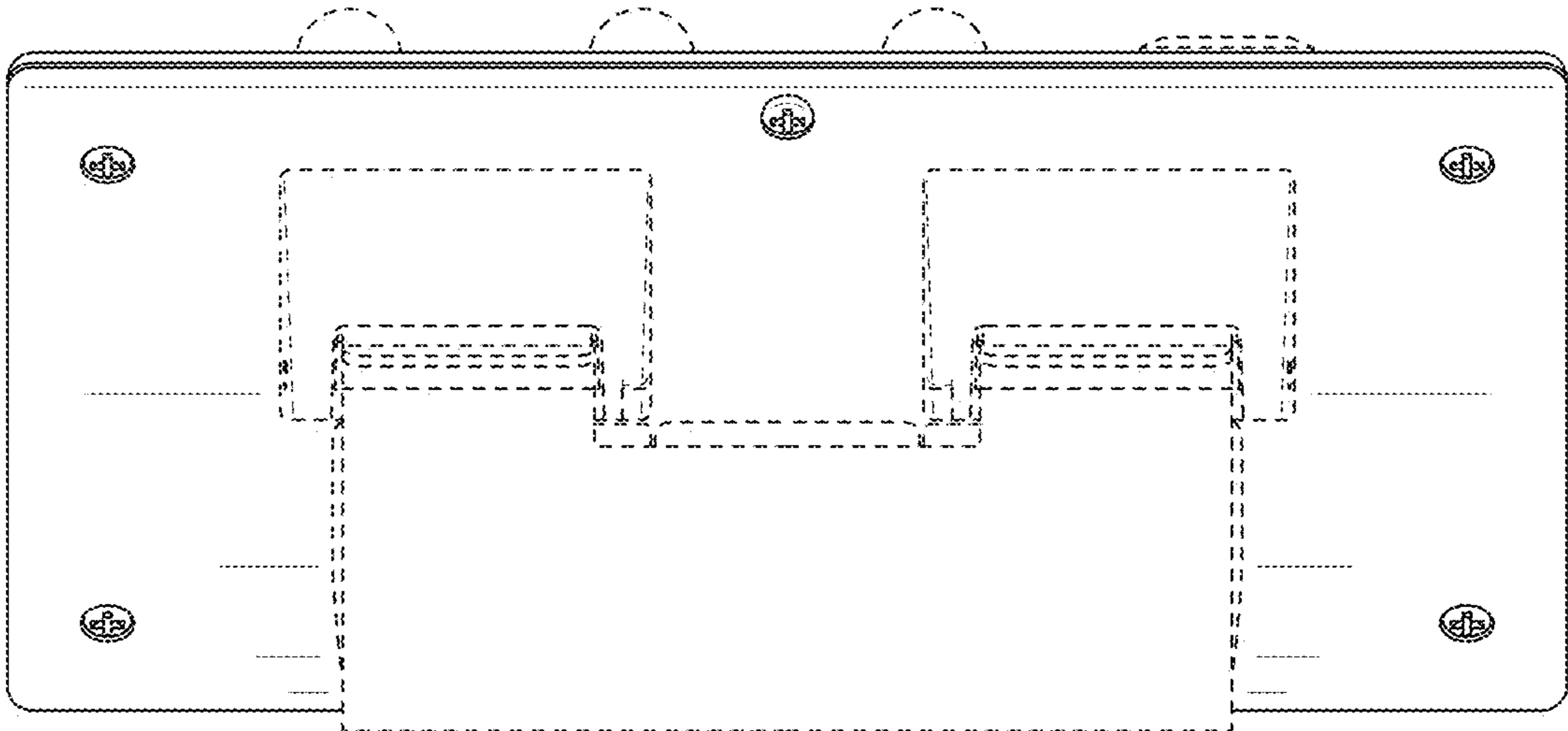


FIG. 7

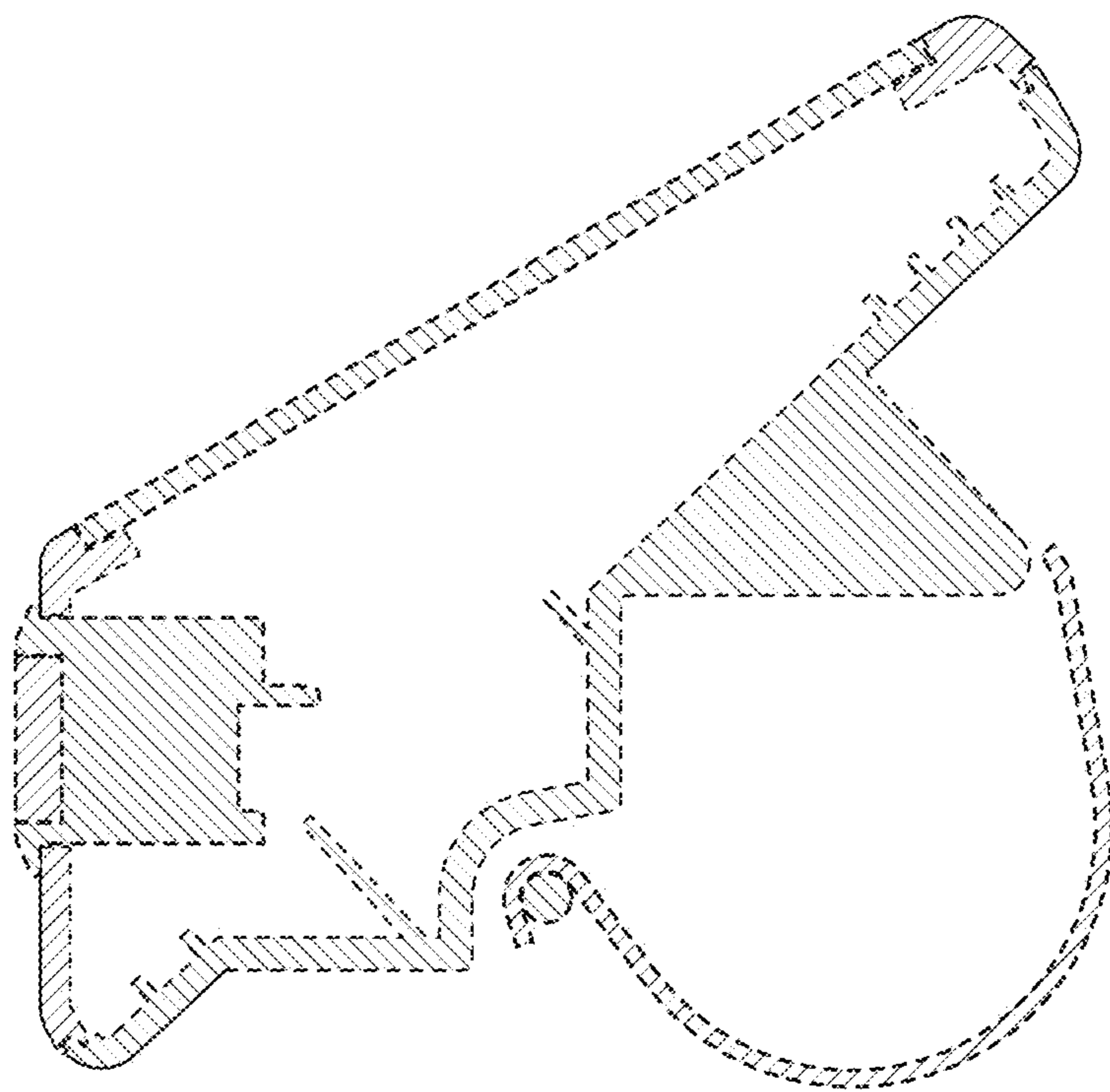


FIG. 8