



US00D873821S

(12) **United States Design Patent**
Song

(10) **Patent No.:** **US D873,821 S**
(45) **Date of Patent:** **** Jan. 28, 2020**

(54) **DISPLAY DEVICE FOR VIRTUAL REALITY (VR) EXPERIENCE**

(71) Applicant: **LG DISPLAY CO., LTD.**, Seoul (KR)

(72) Inventor: **Suhyung Song**, Paju-si (KR)

(73) Assignee: **LG DISPLAY CO., LTD.**, Seoul (KR)

(**) Term: **15 Years**

(21) Appl. No.: **29/625,785**

(22) Filed: **Nov. 13, 2017**

(30) **Foreign Application Priority Data**

Mar. 14, 2017 (KR) 30-2017-0011851

(51) **LOC (12) Cl.** **14-02**

(52) **U.S. Cl.**
USPC **D14/371**; D14/126; D14/129; D6/332;
D16/241; D21/325

(58) **Field of Classification Search**
USPC D14/125-129, 140.2, 140.11, 356,
D14/371-375, 496; D6/332; D16/221,
D16/226, 229, 230, 241; D20/10;
D21/325, 326, 329; D24/158, 232, 234
CPC G06F 3/011; G02B 27/0149; A63F 13/00;
A61B 6/107
See application file for complete search history.

(56) **References Cited**

U.S. PATENT DOCUMENTS

- D353,946 S * 1/1995 Fischer D25/58
- D391,304 S * 2/1998 Stringfellow D21/325
- D415,901 S * 11/1999 Arko D6/332
- 6,061,064 A * 5/2000 Reichlen G06F 3/011
345/418
- D444,506 S * 7/2001 Isetani D21/325
- D530,104 S * 10/2006 Saffell D6/332
- D536,540 S * 2/2007 Partridge D6/332

- D673,203 S * 12/2012 Jacques D16/200
- D732,113 S * 6/2015 Estep, II D21/329
- D740,784 S * 10/2015 O'Polka D14/204
- D744,579 S * 12/2015 Cope D16/241
- D749,219 S * 2/2016 Ballsieper D24/158
- D754,348 S * 4/2016 Ballsieper D24/158
- RE46,169 E * 10/2016 Kelly G07F 17/34
D21/329
- D774,318 S * 12/2016 Tsuchiyama D6/332
- D792,115 S * 7/2017 Llahues D6/332

(Continued)

Primary Examiner — Jeffrey D Asch

Assistant Examiner — Rebekah A Caruso

(74) *Attorney, Agent, or Firm* — Birch, Stewart, Kolasch & Birch, LLP

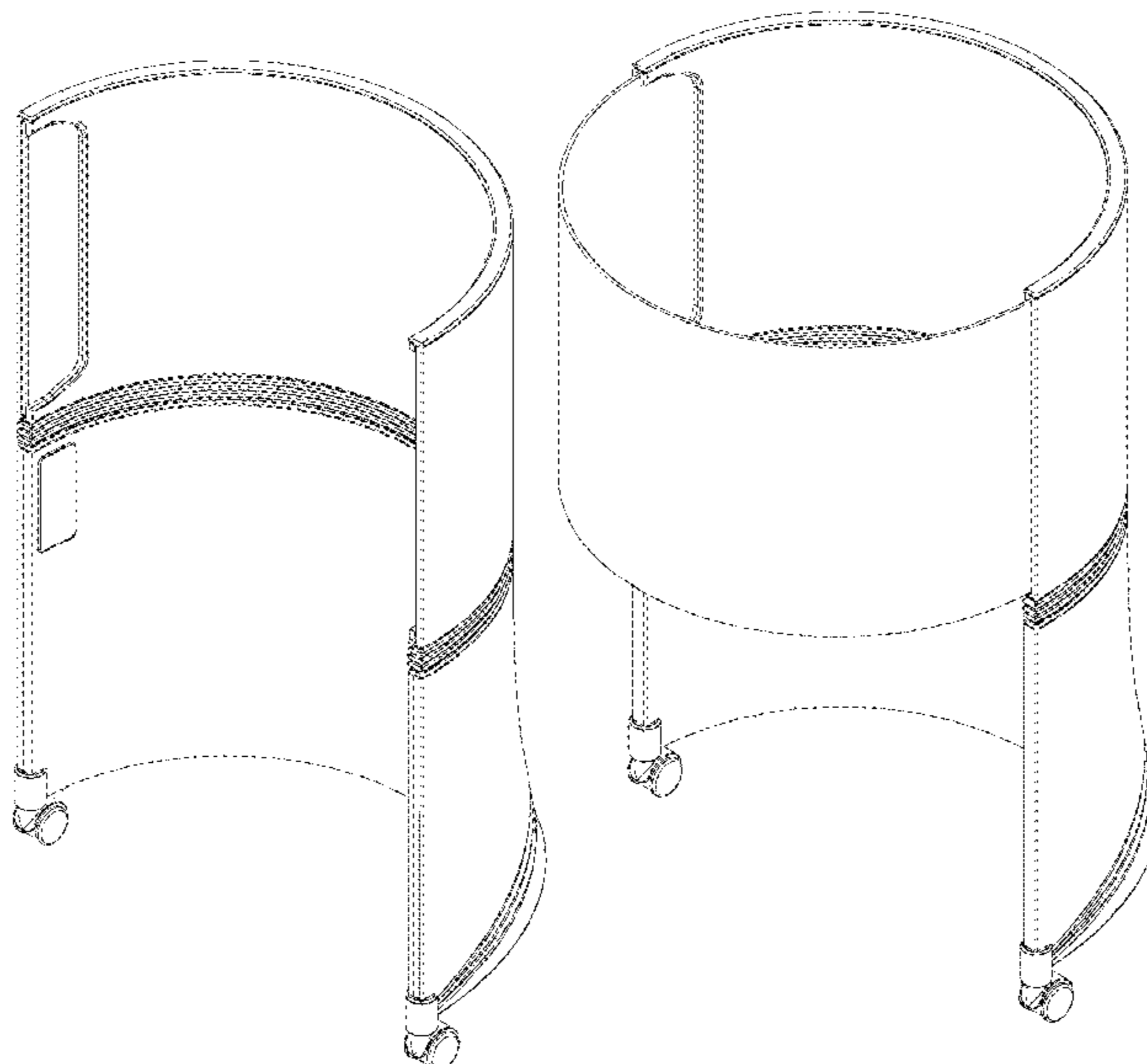
(57) **CLAIM**

The ornamental design for a display device for virtual reality (VR) experience, as shown and described.

DESCRIPTION

FIG. 1 is a front, right perspective view of the display device for virtual reality (VR) experience showing my new design with a screen located within a main body;
 FIG. 2 is a front view thereof;
 FIG. 3 is a rear view thereof;
 FIG. 4 is a left side view thereof;
 FIG. 5 is a right side view thereof;
 FIG. 6 is a top view thereof;
 FIG. 7 is a bottom view thereof;
 FIG. 8 is a front, right perspective view of the display device for virtual reality (VR) experience with the screen extended from the main body;
 FIG. 9 is a front view thereof;
 FIG. 10 is a rear view thereof;
 FIG. 11 is a left side view thereof;
 FIG. 12 is a right side view thereof;
 FIG. 13 is a top view thereof; and,
 FIG. 14 is a bottom view thereof.

1 Claim, 12 Drawing Sheets



(56)

References Cited

U.S. PATENT DOCUMENTS

9,770,203 B1 * 9/2017 Berme A61B 5/1123
D824,903 S * 8/2018 Lo D14/371
D825,001 S * 8/2018 Henkel D20/10
D831,988 S * 10/2018 Passmore D6/334
D837,212 S * 1/2019 Catania D14/371
2008/0093568 A1 * 4/2008 Fox A61B 6/107
250/515.1
2010/0328204 A1 * 12/2010 Edwards G06F 3/011
345/157
2017/0052748 A1 * 2/2017 Dominique G06F 3/1423
2019/0111336 A1 * 4/2019 Gutierrez A63F 13/217

* cited by examiner

FIG. 1

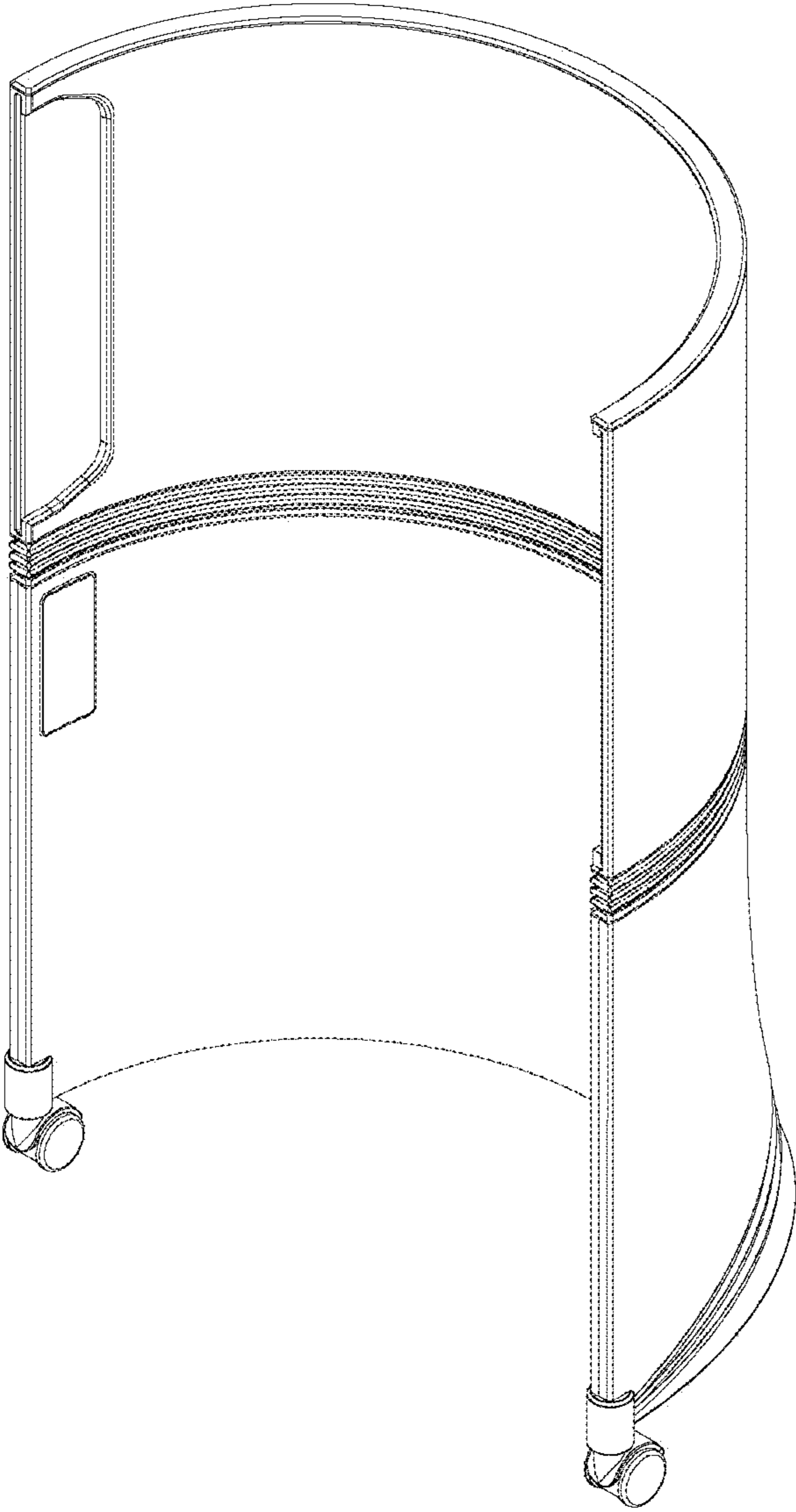


FIG. 2

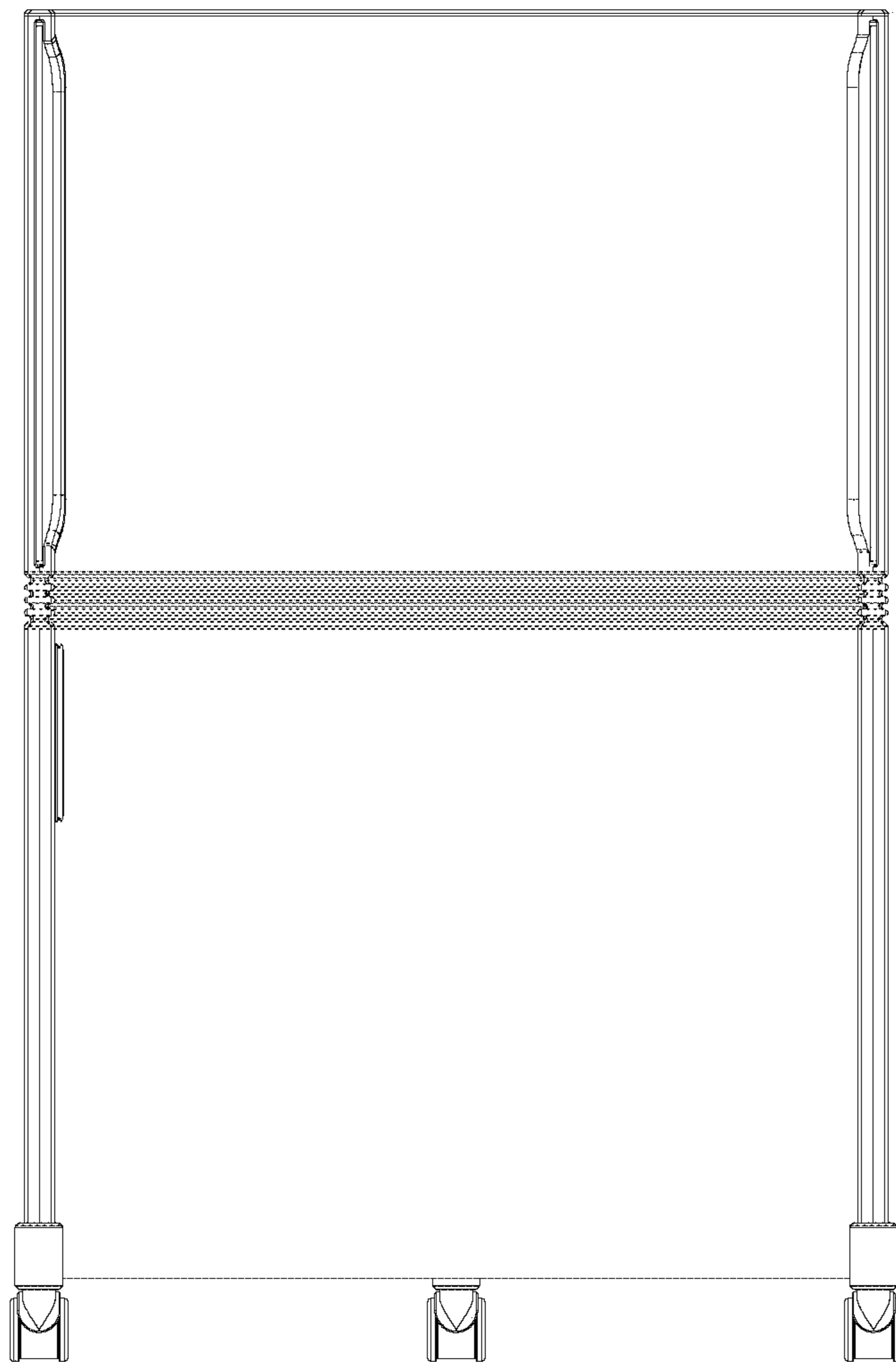


FIG. 3

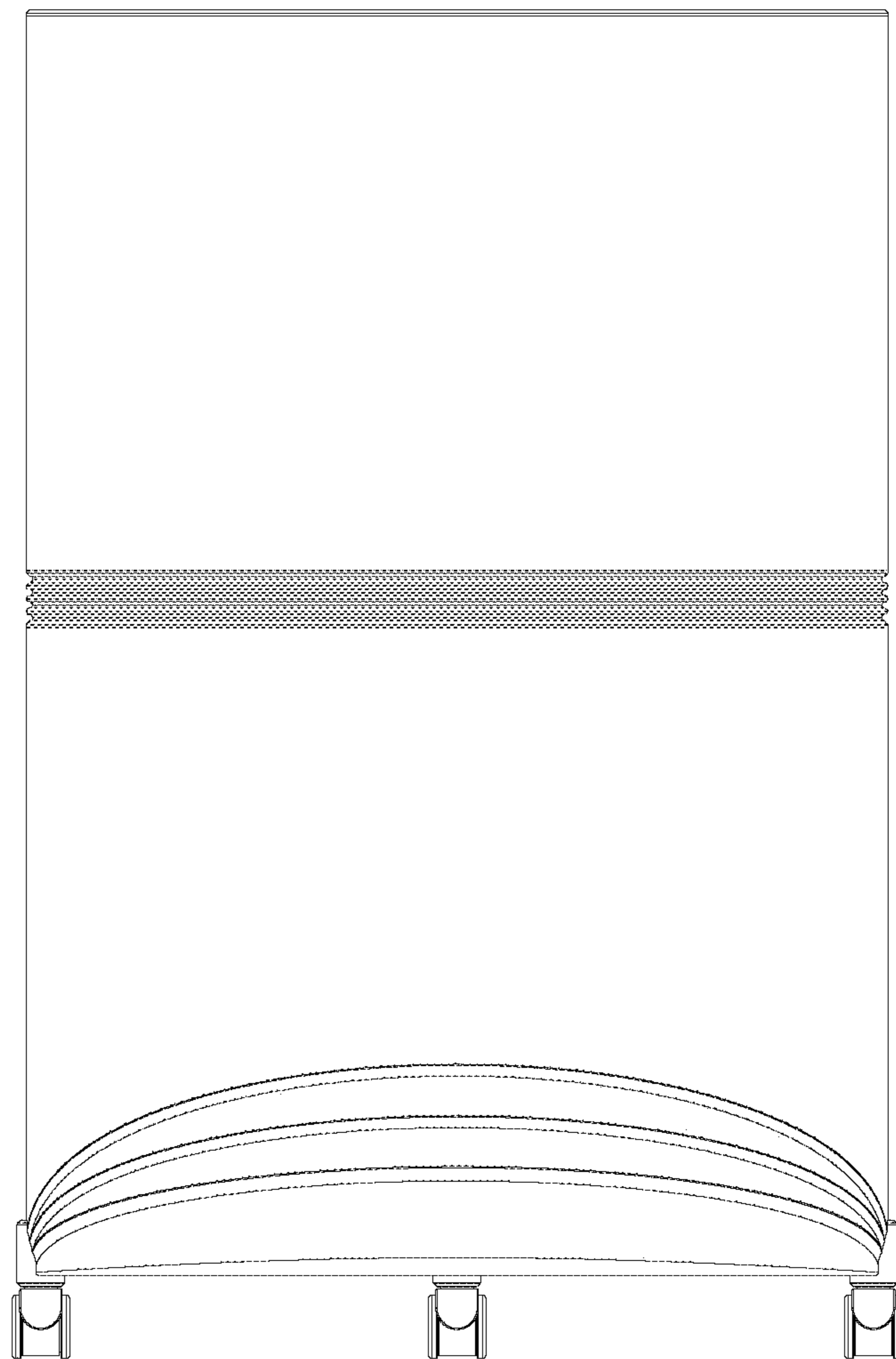


FIG. 4

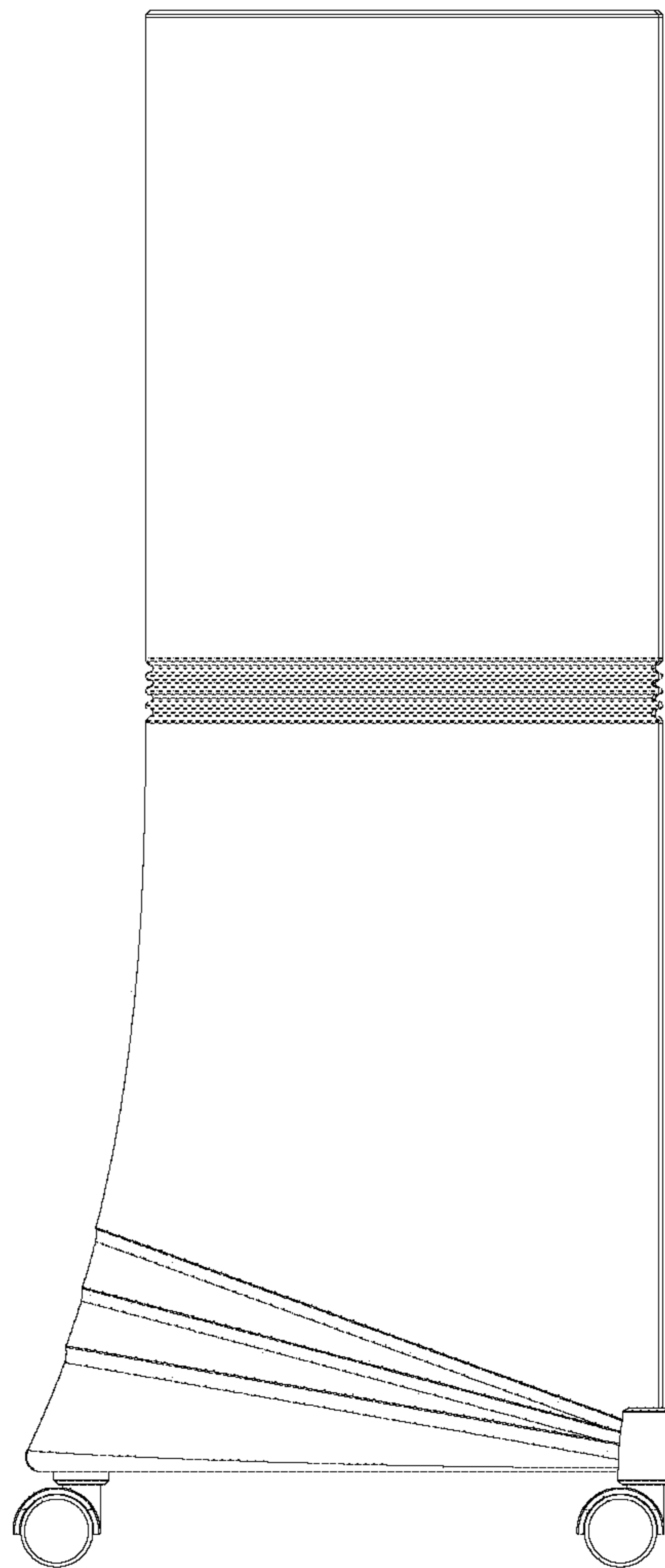


FIG. 5

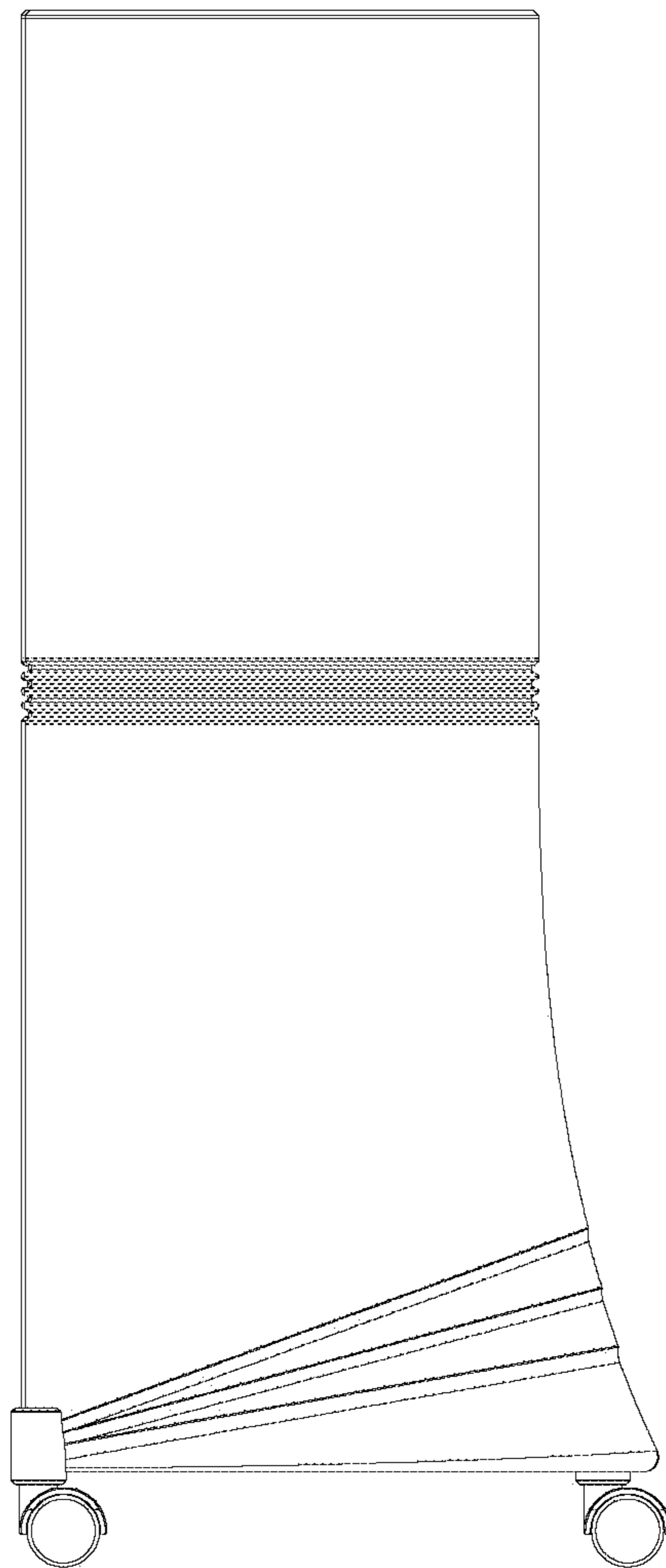


FIG. 6

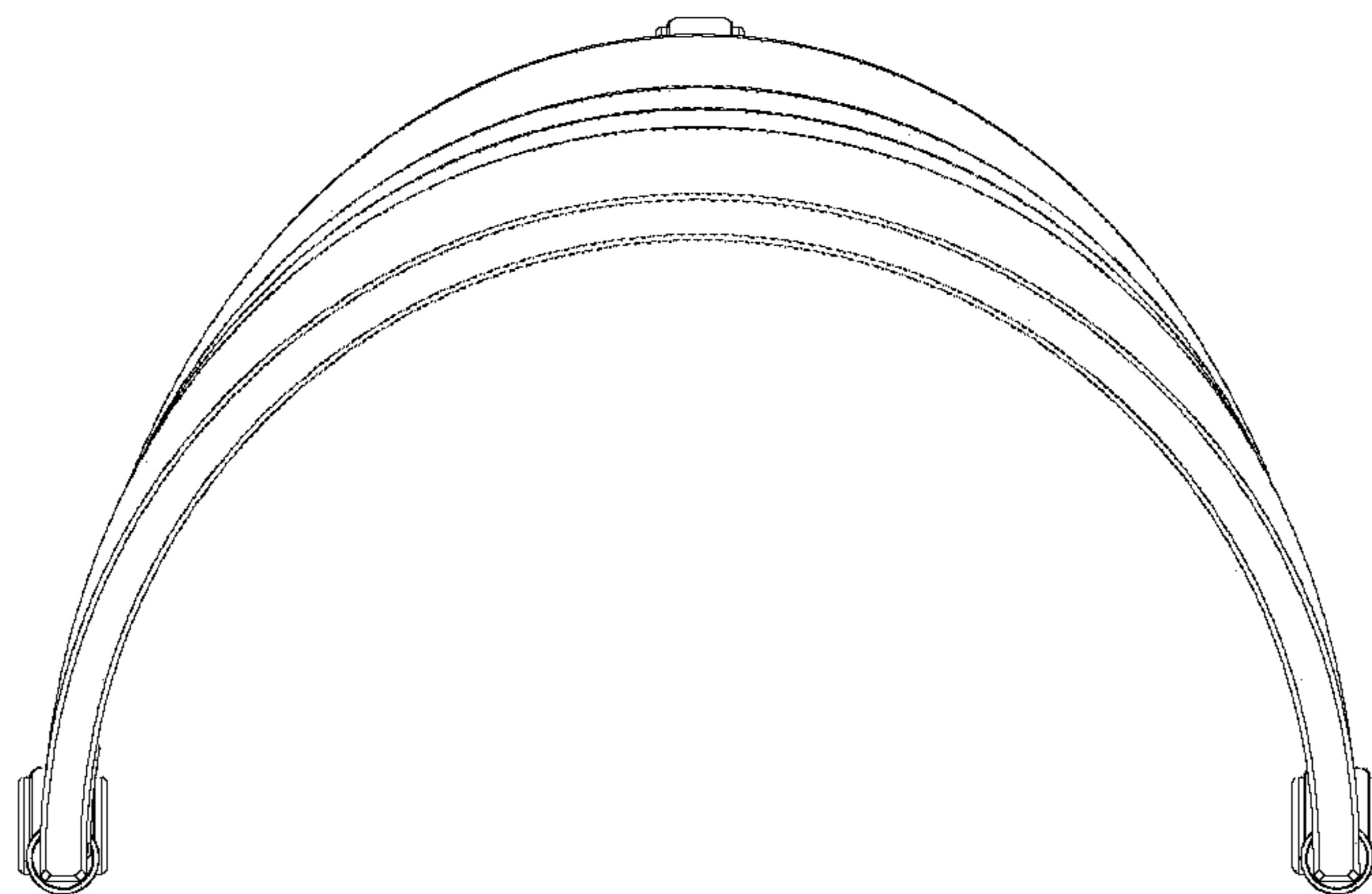


FIG. 7

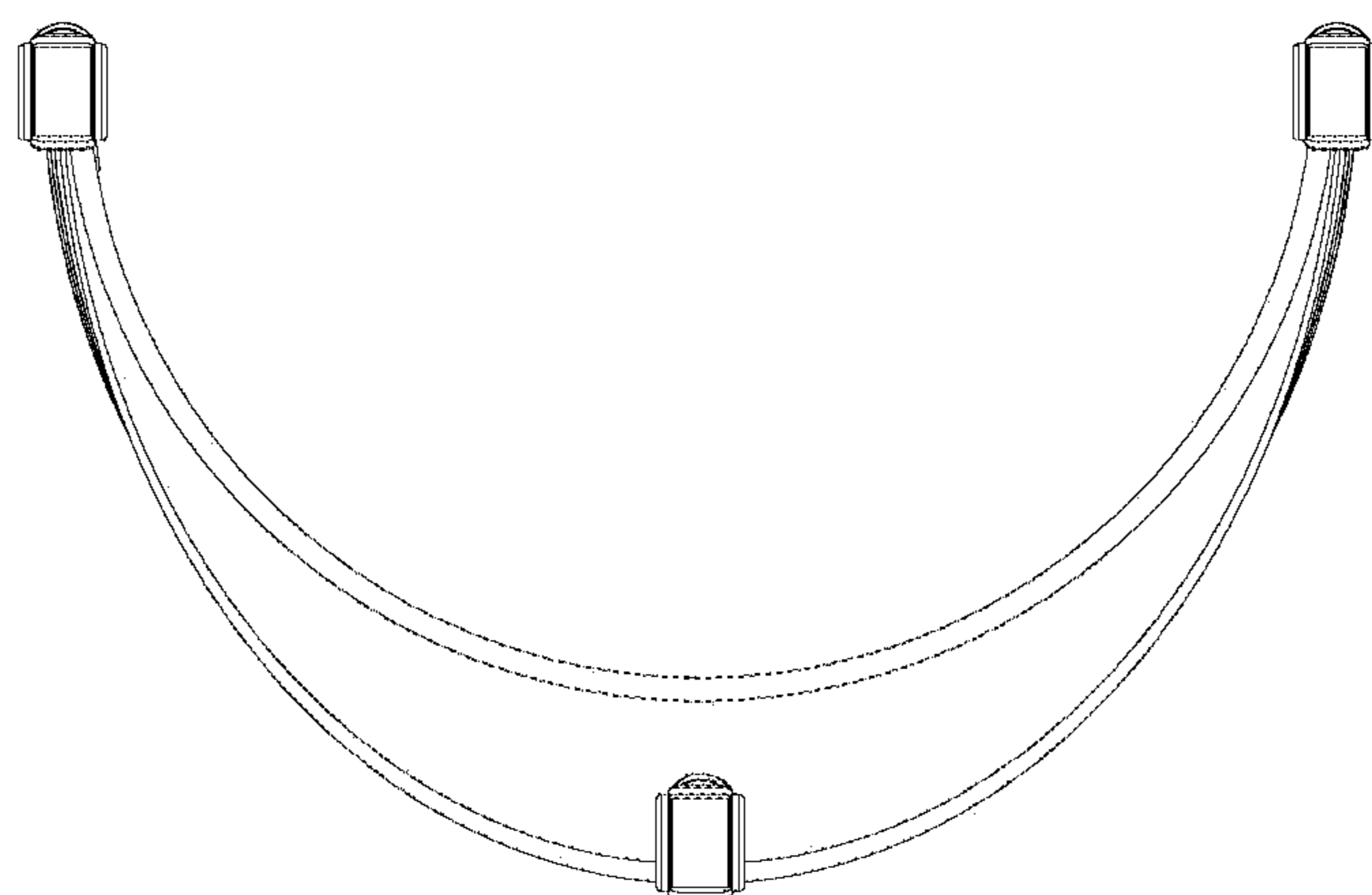


FIG. 8

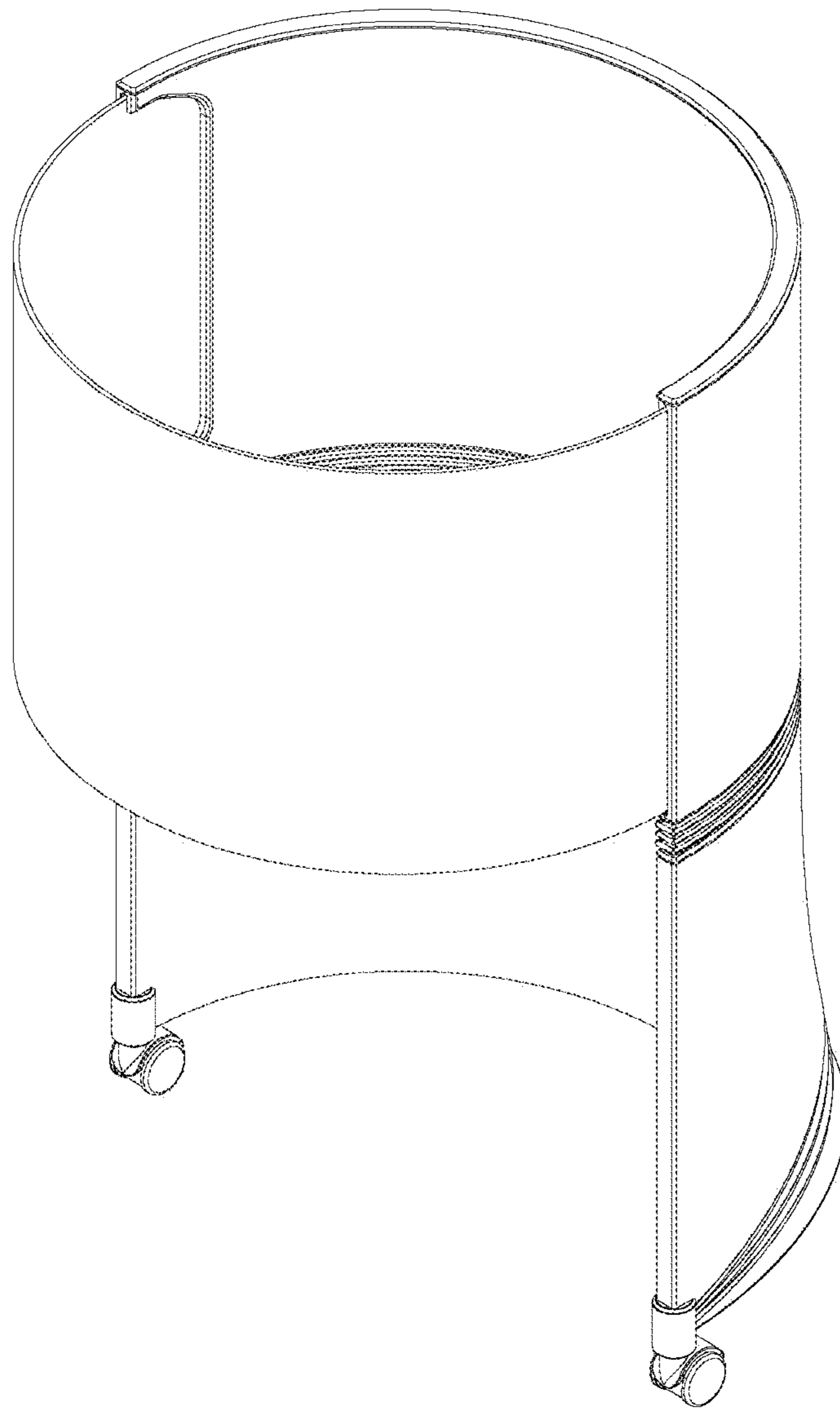


FIG. 9

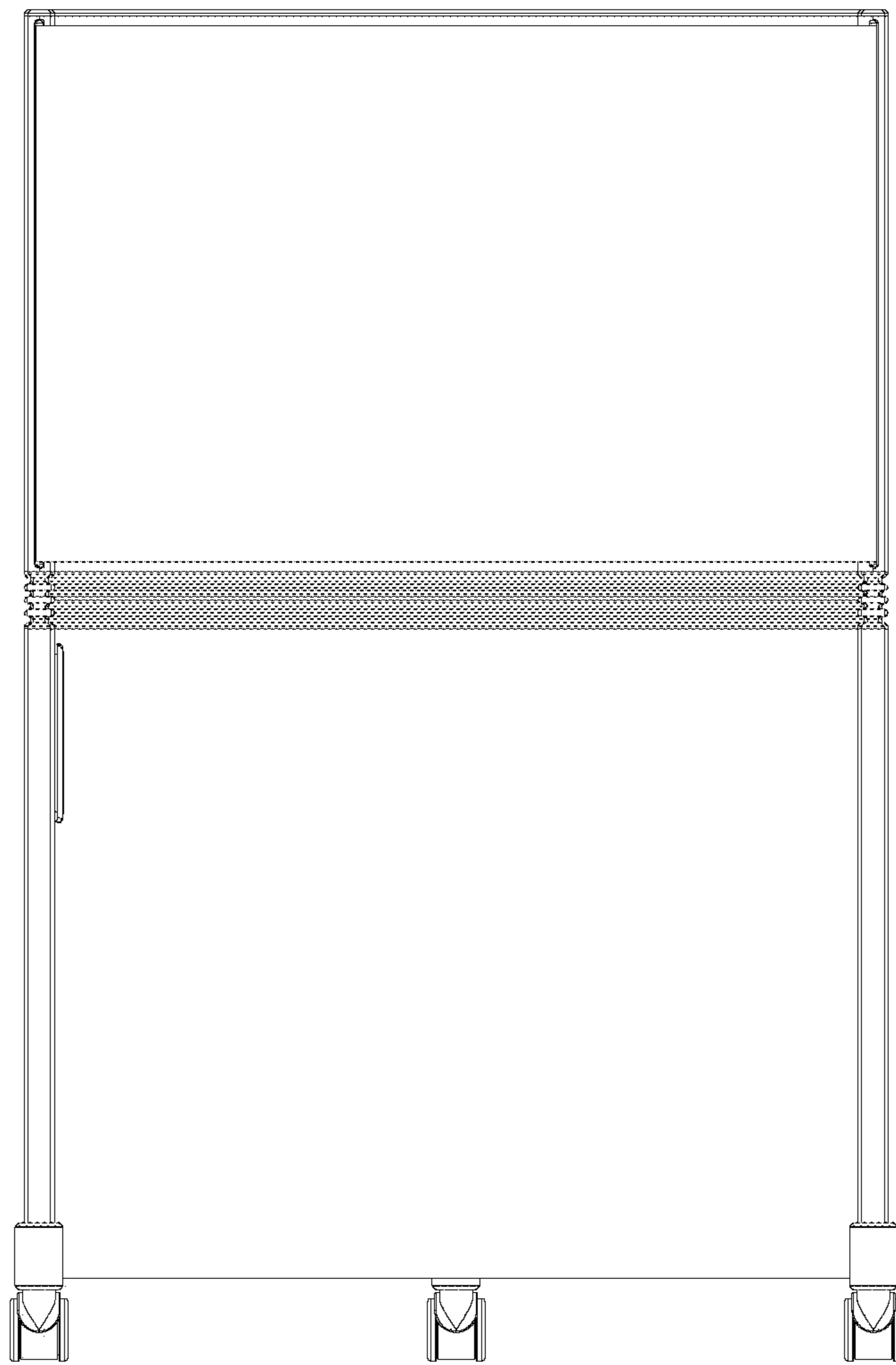


FIG. 10

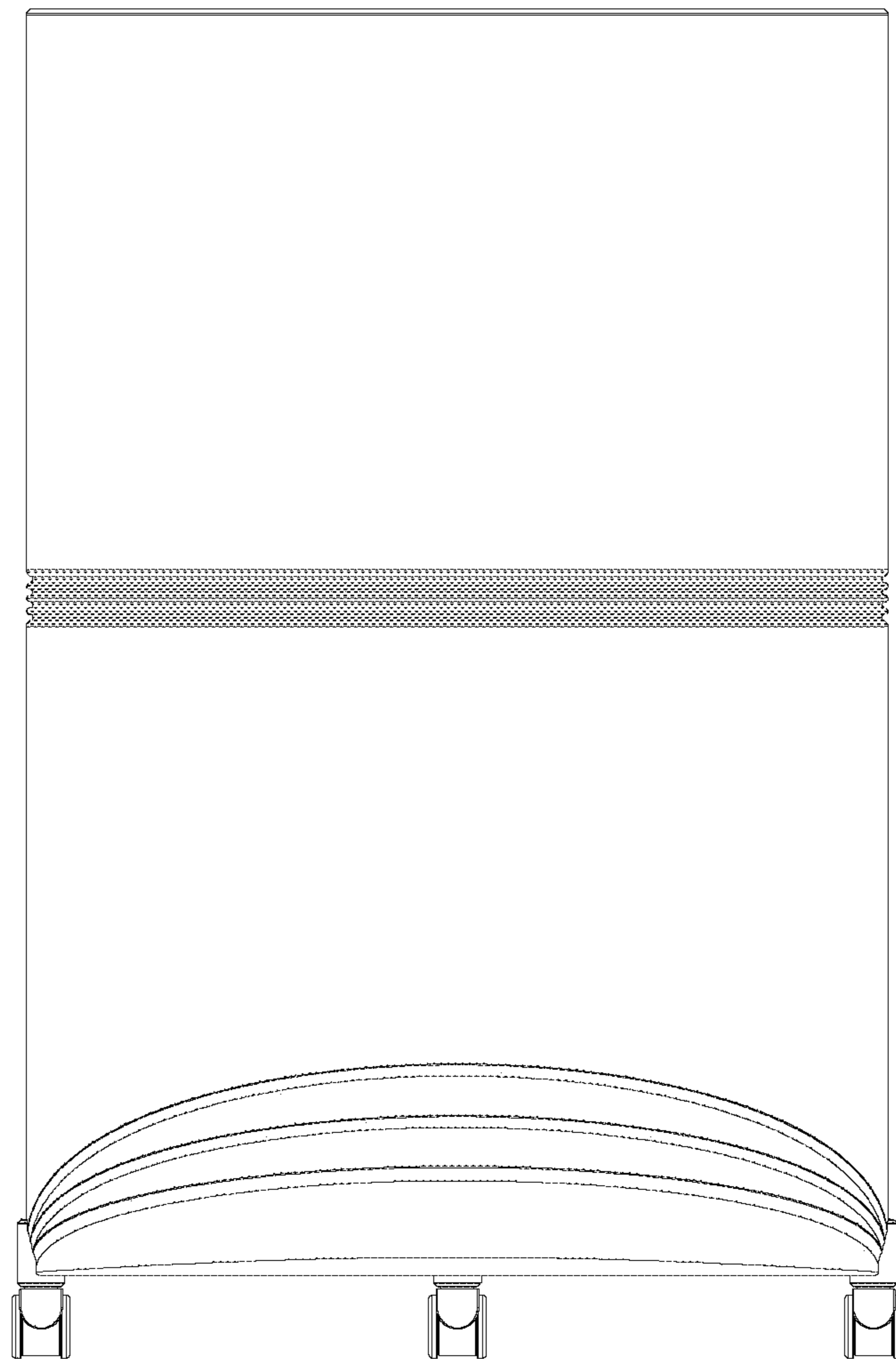


FIG. 11

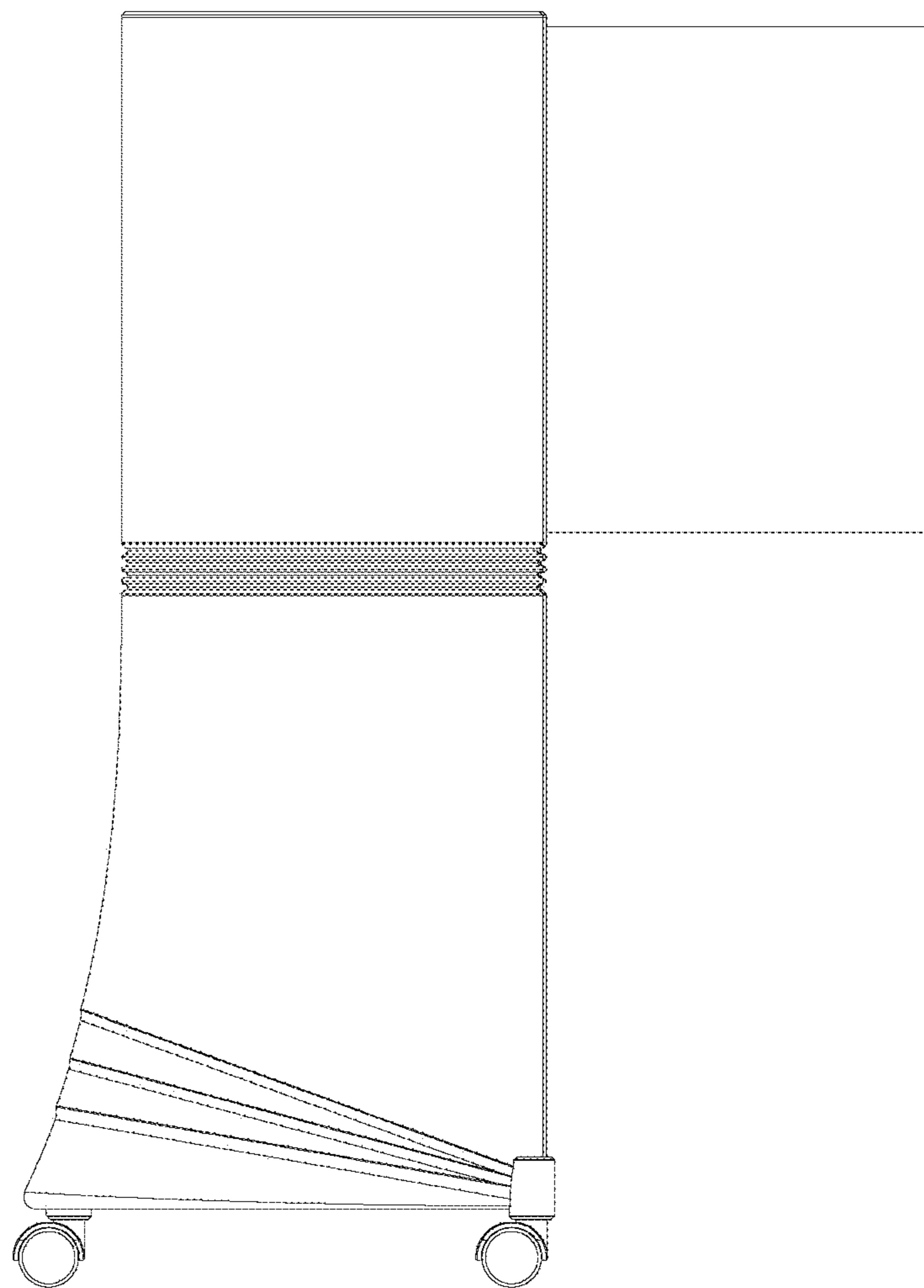


FIG. 12

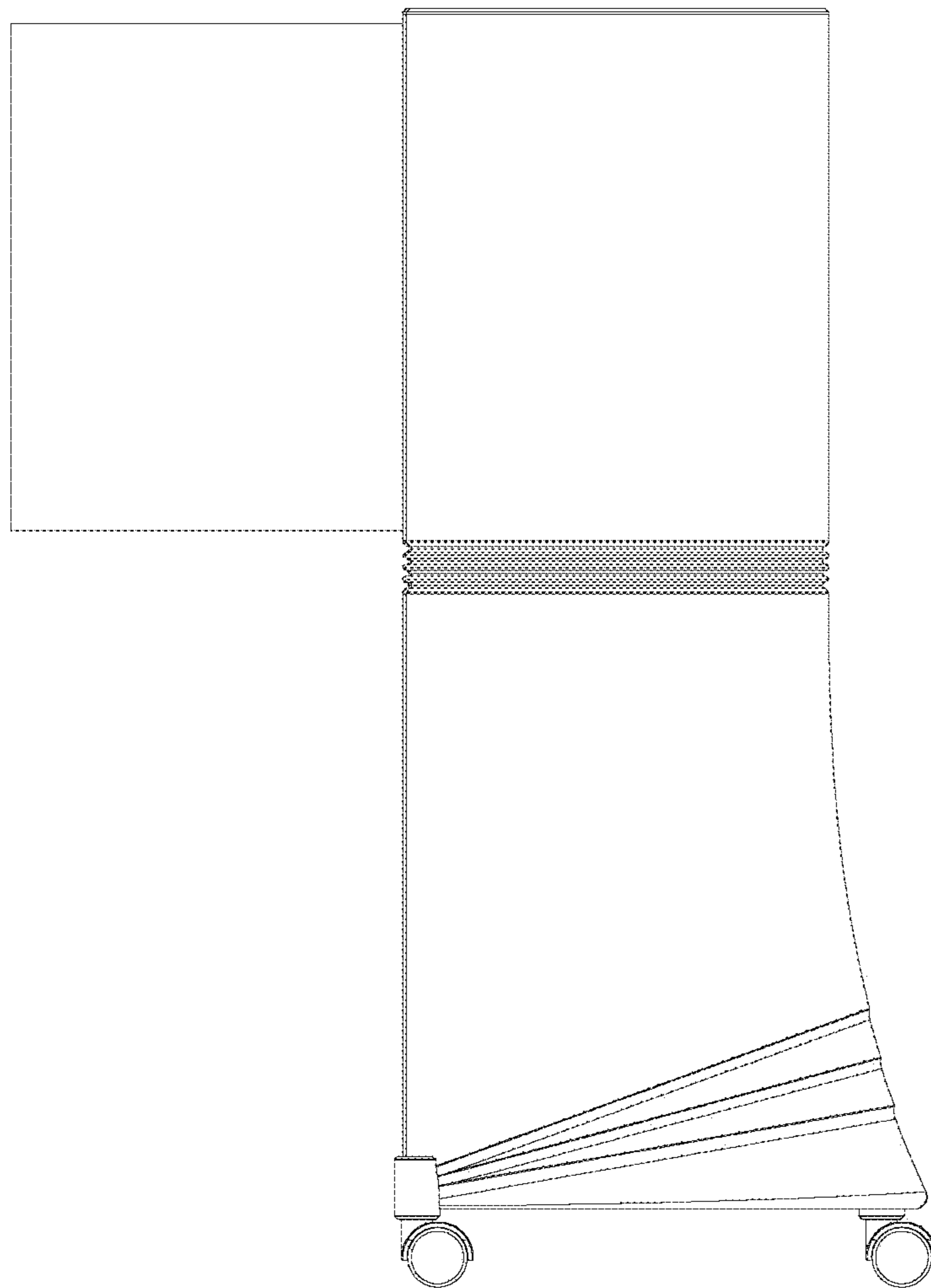


FIG. 13

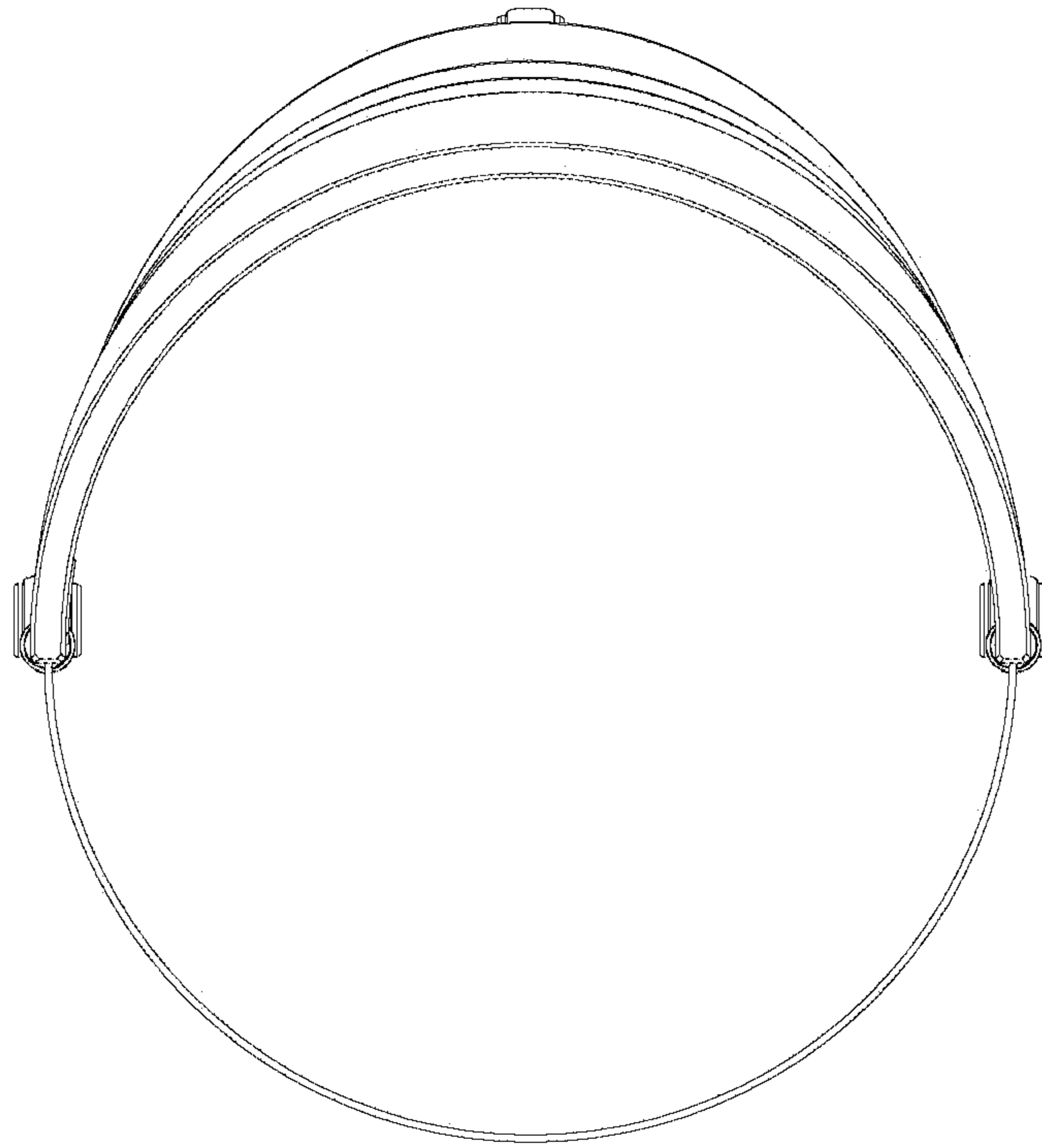


FIG. 14

