



US00D873819S

(12) **United States Design Patent**  
**Harsacky**

(10) **Patent No.:** **US D873,819 S**

(45) **Date of Patent:** **\*\* Jan. 28, 2020**

(54) **STORAGE DEVICE**

(71) Applicant: **SEAGATE TECHNOLOGY LLC**,  
Cupertino, CA (US)

(72) Inventor: **Christopher Douglas Harsacky**,  
Walnut Creek, CA (US)

(73) Assignee: **Seagate Technology LLC**, Cupertino,  
CA (US)

(\*\*) Term: **15 Years**

(21) Appl. No.: **29/653,891**

(22) Filed: **Jun. 19, 2018**

(51) **LOC (12) Cl.** ..... **14-02**

(52) **U.S. Cl.**  
USPC ..... **D14/348**

(58) **Field of Classification Search**  
USPC ..... D14/349, 351–355, 359, 440–441, 444,  
D14/446, 348, 371, 356–358, 363, 442,  
(Continued)

(56) **References Cited**

**U.S. PATENT DOCUMENTS**

D320,212 S \* 9/1991 Someya ..... D13/184  
D451,501 S \* 12/2001 Sward ..... D14/242  
(Continued)

**FOREIGN PATENT DOCUMENTS**

CN 303287732 \* 7/2015  
JP D1471062 \* 6/2013

**OTHER PUBLICATIONS**

Game Drive for Xbox SSD, Seagate, seagate.com, author and date  
not listed © 2019 Seagate Technology, online, site visited Jun. 14,

2019. Available from Internet, URL: <https://www.seagate.com/support/game-drives/xbox-ssd/> (Year: 2019).\*

(Continued)

*Primary Examiner* — Marissa J Cash

*Assistant Examiner* — Altaira J Swangin

(74) *Attorney, Agent, or Firm* — Mueting, Raasch &  
Gebhardt, P.A.

(57) **CLAIM**

The ornamental design for a storage device, as shown and  
described.

**DESCRIPTION**

FIG. 1 is a top, front, left perspective view of a storage  
device in accordance with a first embodiment of the claimed  
design;

FIG. 2 is a front elevation view of the design of FIG. 1;

FIG. 3 is a rear elevation view of the design of FIG. 1;

FIG. 4 is a right side elevation view of the design of FIG. 1;

FIG. 5 is a left side elevation view of the design of FIG. 1;

FIG. 6 is a top plan view of the design of FIG. 1;

FIG. 7 is a bottom plan view of the design of FIG. 1;

FIG. 8 is a top, front, left perspective view of a storage  
device in accordance with a second embodiment of the  
claimed design;

FIG. 9 is a front elevation view of the design of FIG. 8;

FIG. 10 is a rear elevation view of the design of FIG. 8;

FIG. 11 is a right side elevation view of the design of FIG.  
8;

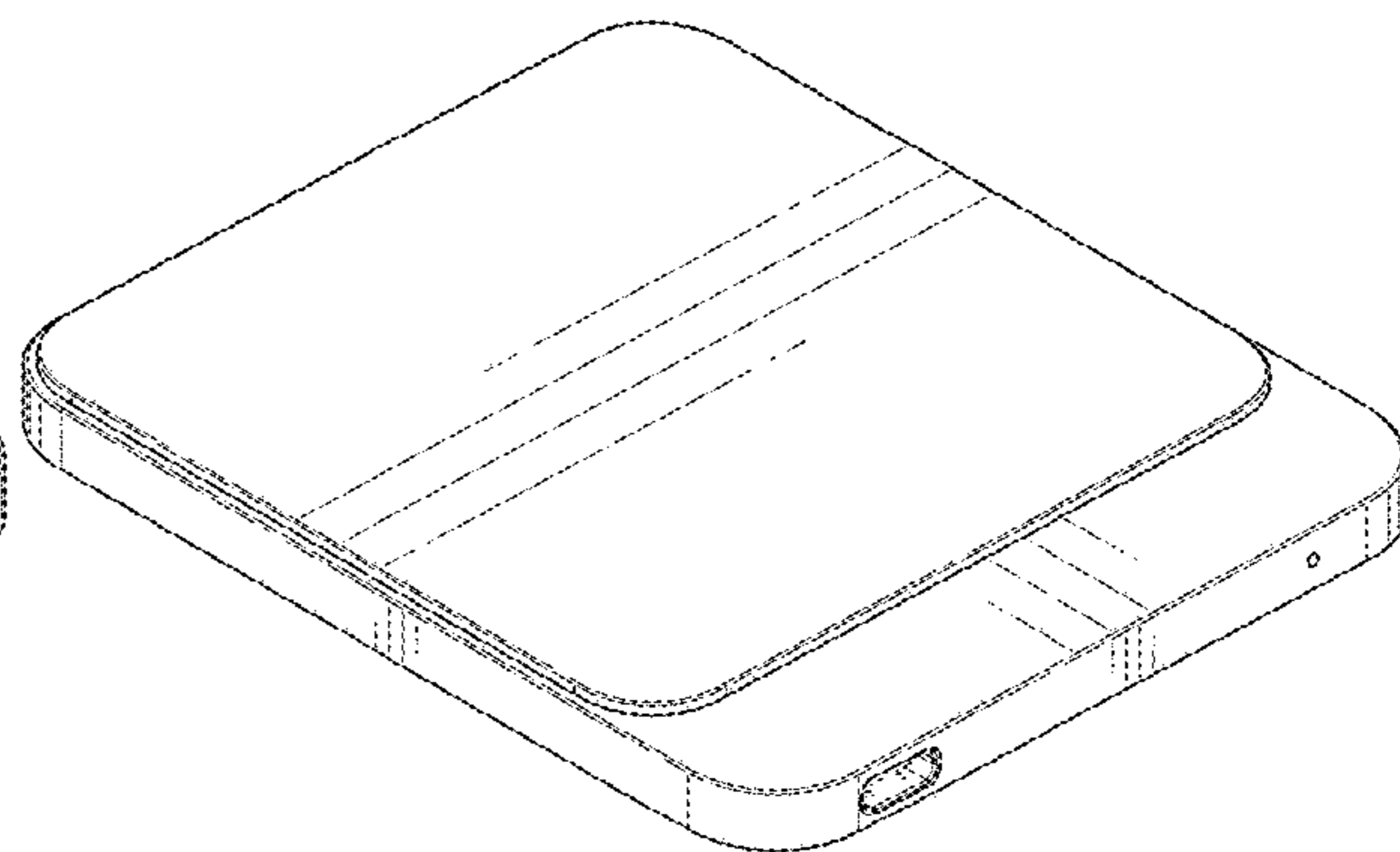
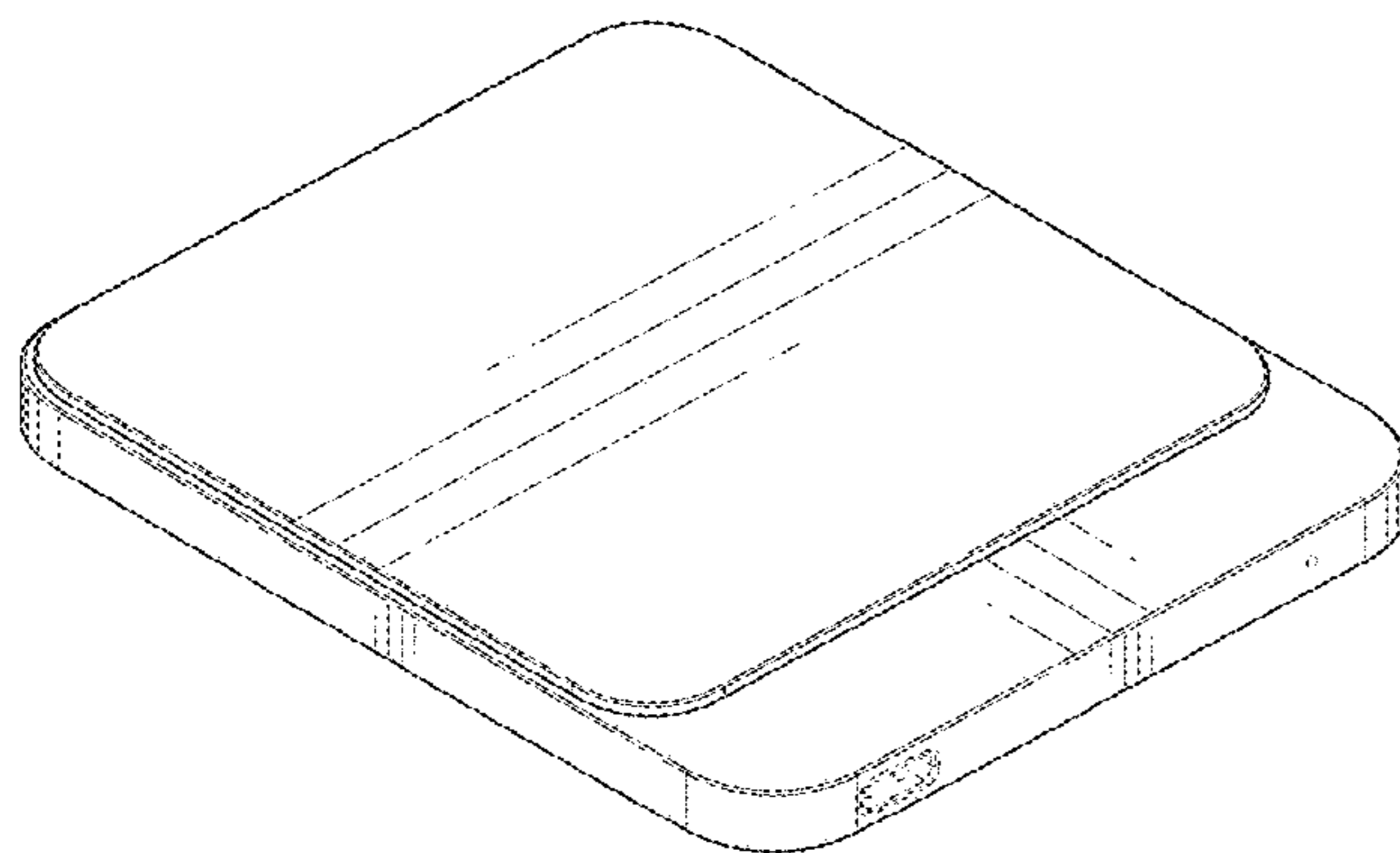
FIG. 12 is a left side elevation view of the design of FIG. 8;

FIG. 13 is a top plan view of the design of FIG. 8; and,

FIG. 14 is a bottom plan view of the design of FIG. 8.

The dash-dash broken lines in the figures depict portions of  
the storage device that form no part of the claimed design.

**1 Claim, 14 Drawing Sheets**



(58) **Field of Classification Search**

USPC ..... D14/478; D9/424-433; 206/706-709,  
206/722-725; D3/315-316; 361/679.31;  
D13/107  
CPC ..... G06F 1/20; H05K 5/00; H05K 5/0213;  
H05K 5/03; H05K 1/144; G02F  
1/133611; G02F 1/133603; G02F  
2001/133607; G02F 2001/133613  
See application file for complete search history.

(56) **References Cited**

U.S. PATENT DOCUMENTS

D487,458 S \* 3/2004 Gentil ..... D14/480.5  
6,698,586 B2 \* 3/2004 Sankey ..... G11B 33/0427  
206/307  
D502,465 S \* 3/2005 Laity ..... D14/242  
D505,428 S \* 5/2005 Yagihashi ..... D14/496  
D540,792 S \* 4/2007 Wang ..... D14/356  
D596,626 S \* 7/2009 Andre ..... D14/240  
D601,585 S \* 10/2009 Andre ..... D14/314  
D604,729 S \* 11/2009 Andre ..... D14/314  
D613,283 S \* 4/2010 Andre ..... D14/314  
D621,397 S \* 8/2010 Andre ..... D14/314  
D642,173 S \* 7/2011 Lee ..... D14/365  
D644,247 S \* 8/2011 Kim ..... D14/203.1  
D657,784 S \* 4/2012 Akana ..... D14/314  
D681,641 S \* 5/2013 Van Den Nieuwenhuizen .....  
D14/440  
D686,065 S \* 7/2013 Kuo ..... D9/432  
D686,201 S \* 7/2013 Lee ..... D14/314  
D688,648 S \* 8/2013 Li ..... D14/205  
D689,483 S \* 9/2013 Wu ..... D14/240  
D689,485 S \* 9/2013 Chong ..... D14/366  
D689,860 S \* 9/2013 Chong ..... D14/368  
D692,884 S \* 11/2013 Kim ..... D14/368  
D693,809 S \* 11/2013 Chong ..... D14/368  
D694,753 S \* 12/2013 McManigal ..... D14/368  
D700,139 S \* 2/2014 Chan ..... D13/103  
D706,263 S \* 6/2014 Lin ..... D14/348

D716,751 S \* 11/2014 Lee ..... D14/138 AB  
D718,717 S \* 12/2014 Commerford ..... D13/103  
D719,561 S \* 12/2014 Akana ..... D14/314  
D731,491 S \* 6/2015 Larson ..... D14/435  
D751,981 S \* 3/2016 Lin ..... D13/103  
D751,983 S \* 3/2016 Lin ..... D13/103  
D754,657 S \* 4/2016 Kim ..... D14/345  
D759,012 S \* 6/2016 Golden ..... D10/50  
D765,073 S \* 8/2016 Niizawa ..... D14/356  
D774,015 S \* 12/2016 Park ..... D14/138 AB  
D780,137 S \* 2/2017 Tallqvist ..... D14/125  
D786,210 S \* 5/2017 Lee ..... D14/138 AB  
D807,854 S \* 1/2018 Seo ..... D14/138 AB  
D807,855 S \* 1/2018 Seo ..... D14/138 AB  
D807,856 S \* 1/2018 Seo ..... D14/138 AB  
D807,884 S \* 1/2018 Blanchette ..... D14/389  
D808,463 S \* 1/2018 Easton ..... D20/27  
D815,626 S \* 4/2018 Clover ..... D14/242  
D817,287 S \* 5/2018 Won ..... D14/125  
D827,604 S \* 9/2018 Seo ..... D14/138 AB  
D830,971 S \* 10/2018 Seong ..... D13/108  
D831,590 S \* 10/2018 Lee ..... D13/177  
D834,437 S \* 11/2018 Zhang ..... D10/106.95  
D834,979 S \* 12/2018 Zhang ..... D10/106.95  
D836,619 S \* 12/2018 Yokoyama ..... D14/240  
D842,154 S \* 3/2019 Dimitriadis ..... D10/106.2  
D844,006 S \* 3/2019 Molnar ..... D14/434  
D848,431 S \* 5/2019 Kadonaga ..... D14/436

OTHER PUBLICATIONS

Fast SSD, Seagate, seagate.com, author not listed, published Dec. 25, 2018 per wayback machine © 2019 Seagate Technology, LLC, online, site visited Jun. 14, 2019. Available from Internet, URL: <https://www.seagate.com/consumer/backup/fast-ssd/> (Year: 2018).\*  
Moveable SSD, LaCie, apkmodsios.com, published by Juli Clover on Nov. 7, 2018 © IPA Library, online, site visited Jun. 14, 2019. Available from Internet, URL: <https://apkmodsios.com/review-lacies-new-portable-ssd-is-pocket-sized-with-up-to-2tb-storage-and-fast-transfer-speeds/> (Year: 2018).\*

\* cited by examiner

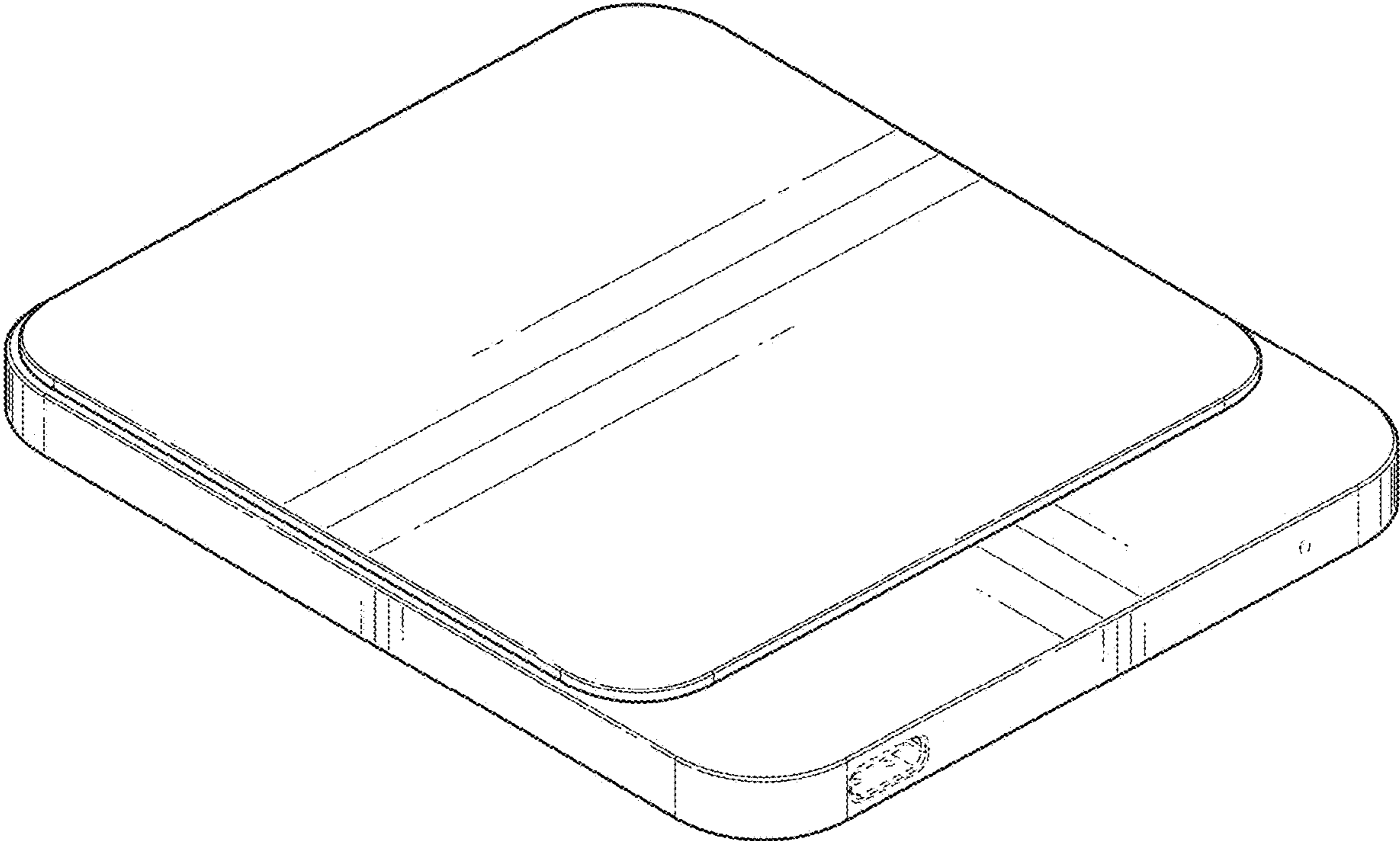


FIG. 1

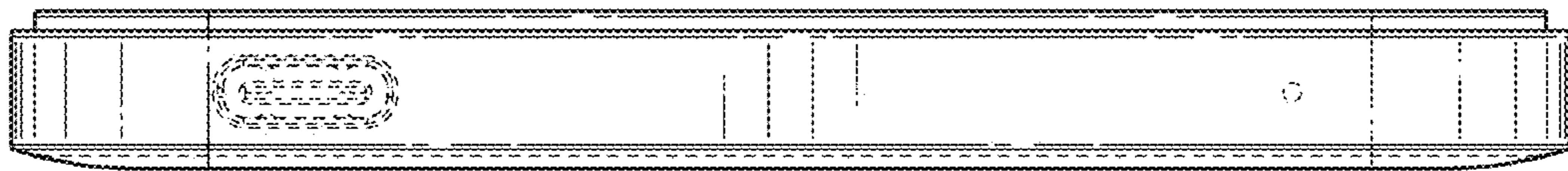


FIG. 2

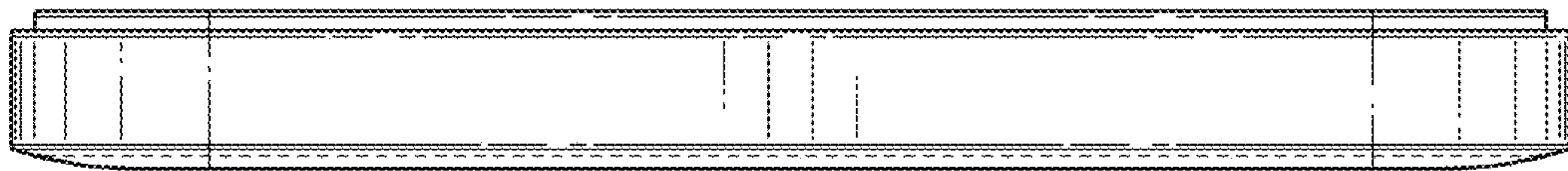


FIG. 3

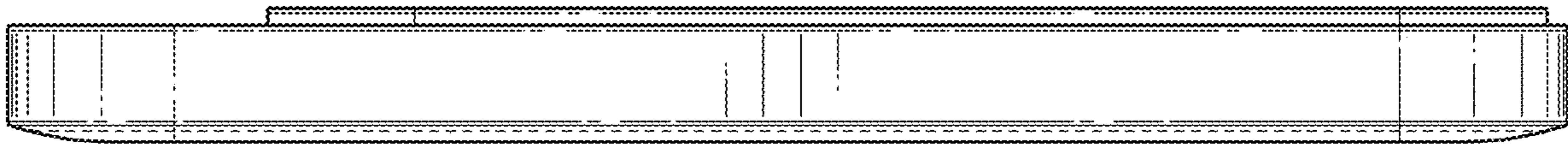


FIG. 4

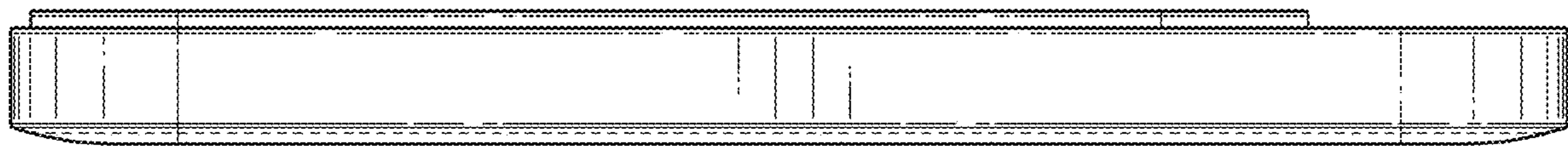


FIG. 5

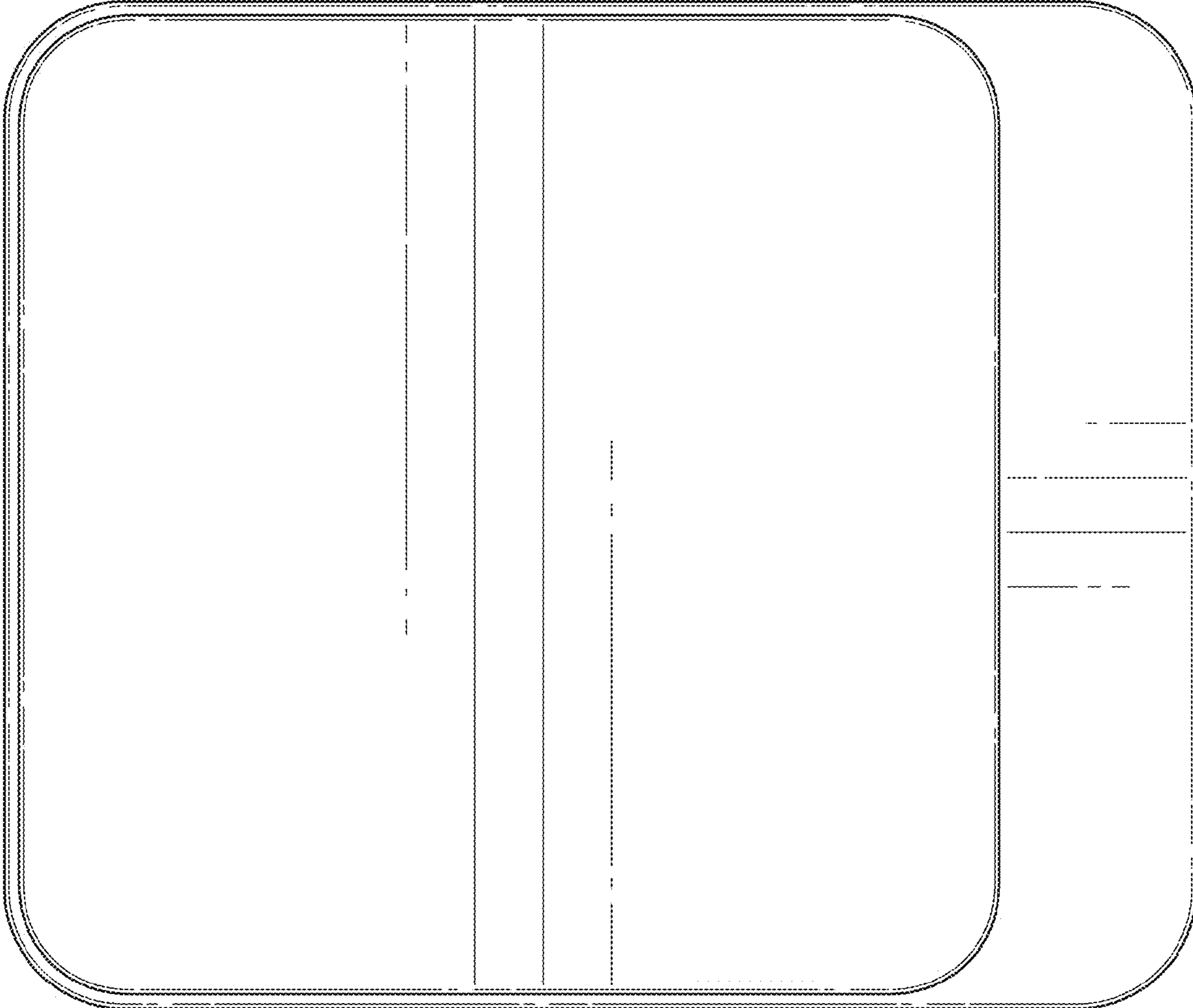


FIG. 6



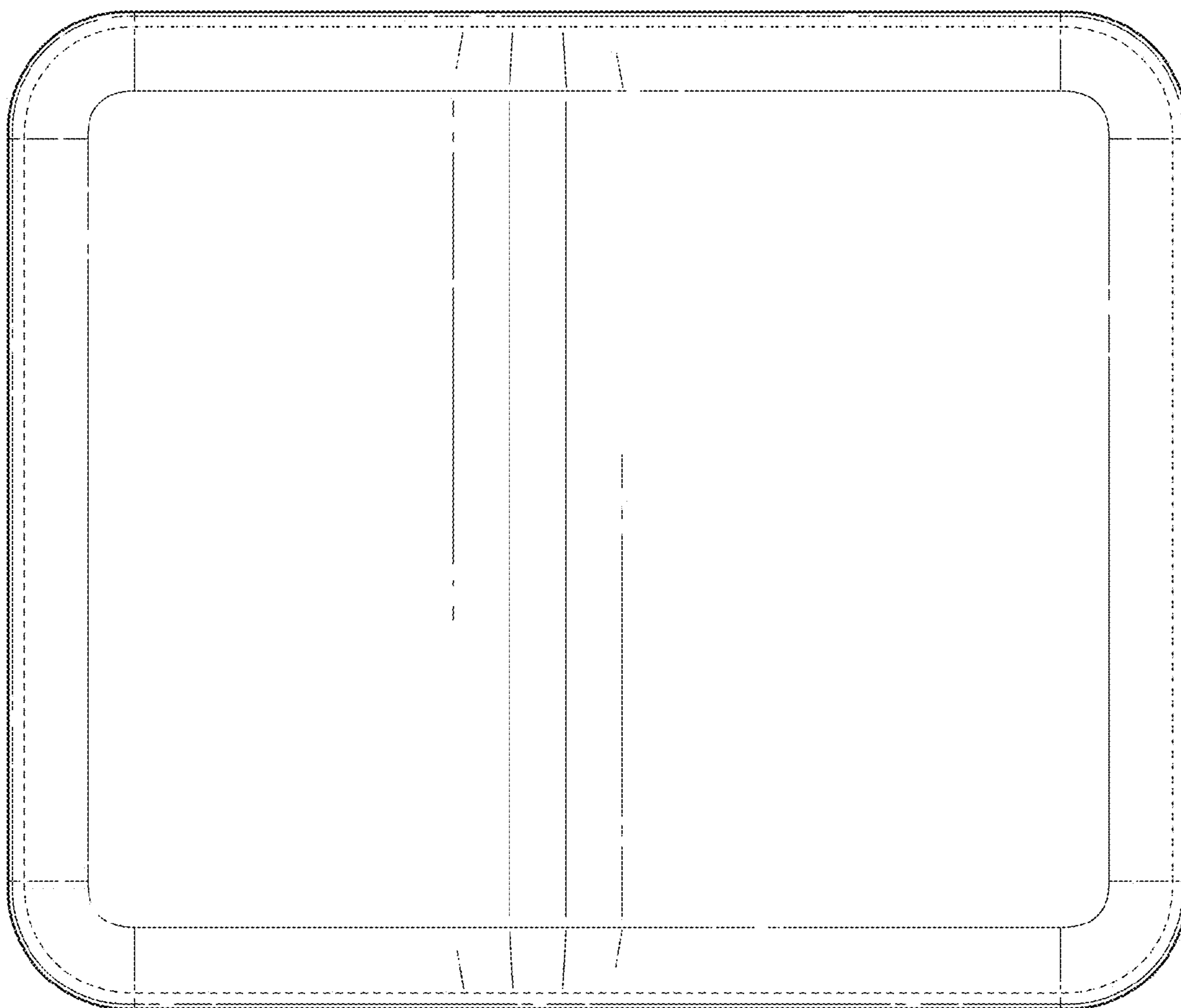


FIG. 7

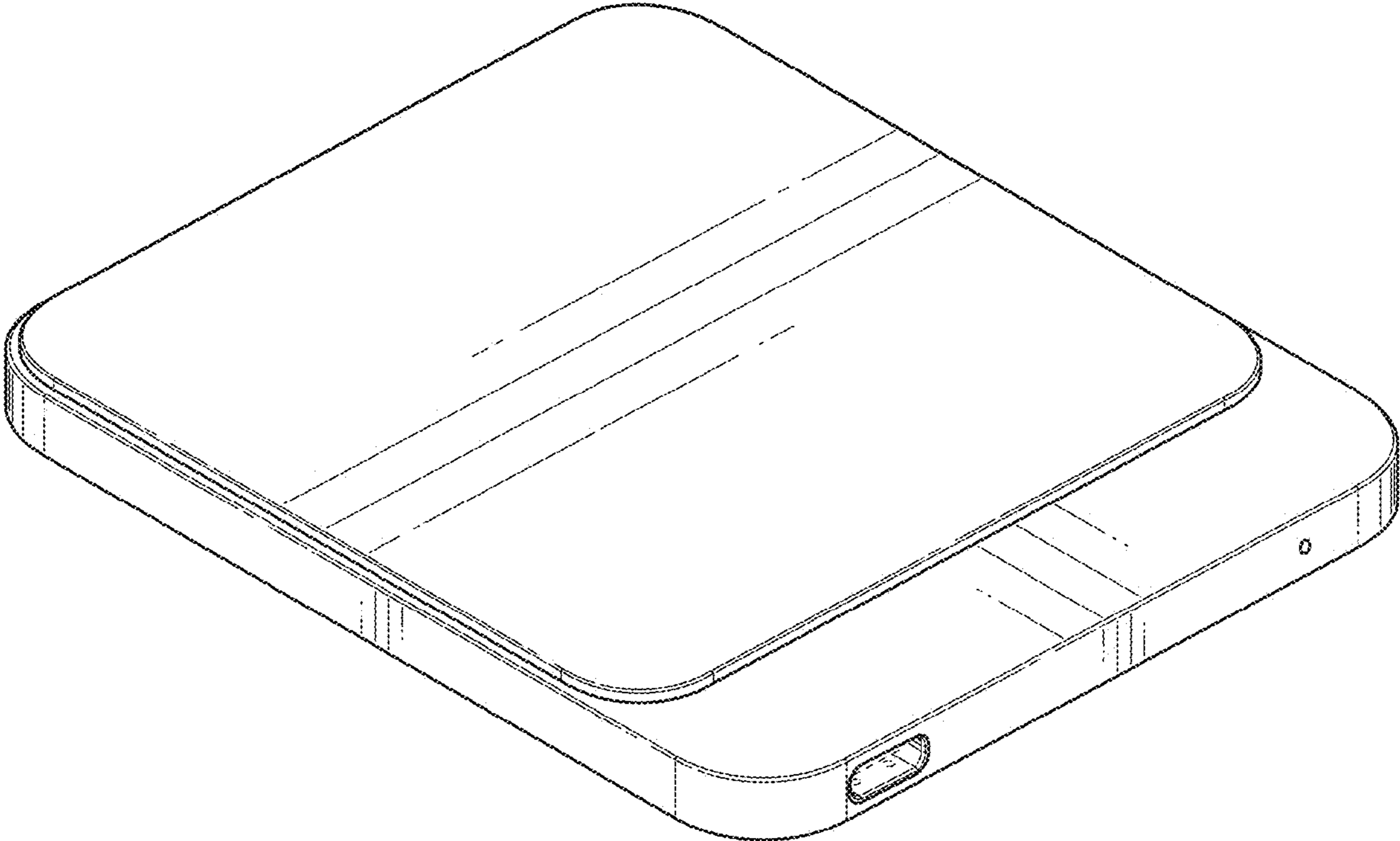


FIG. 8

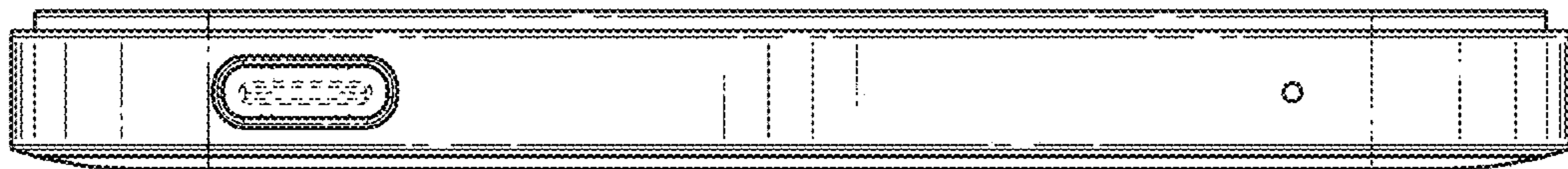


FIG. 9



FIG. 10



FIG. 11

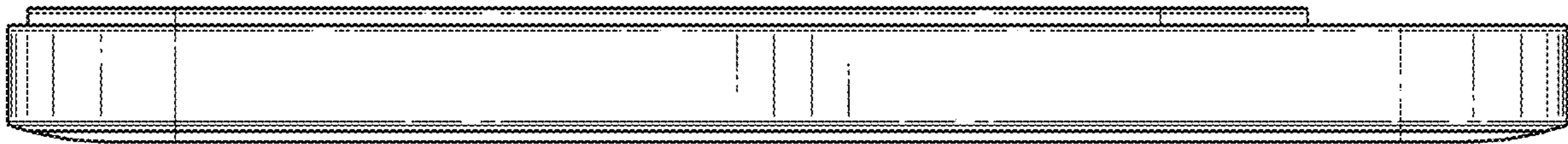


FIG. 12

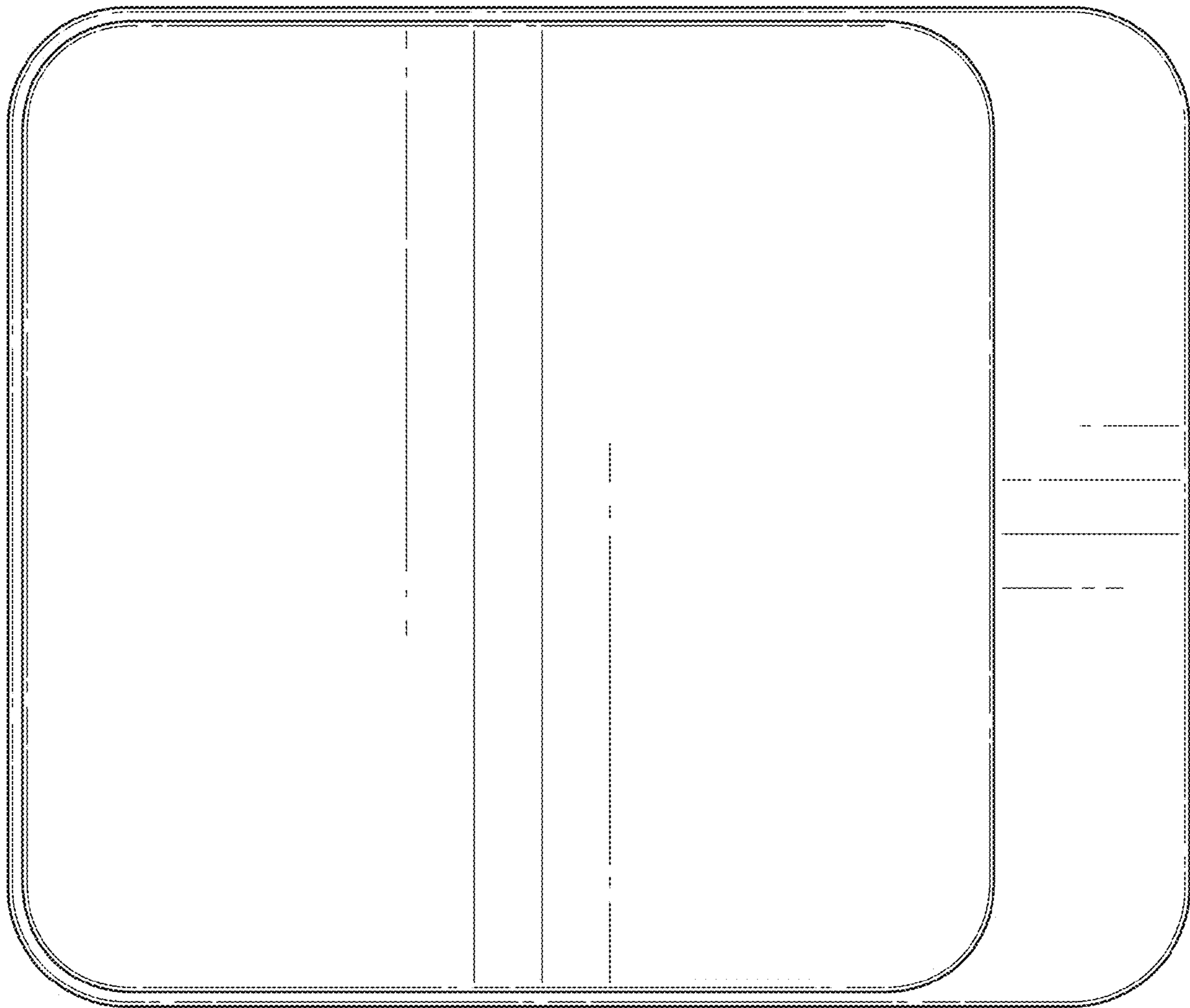


FIG. 13

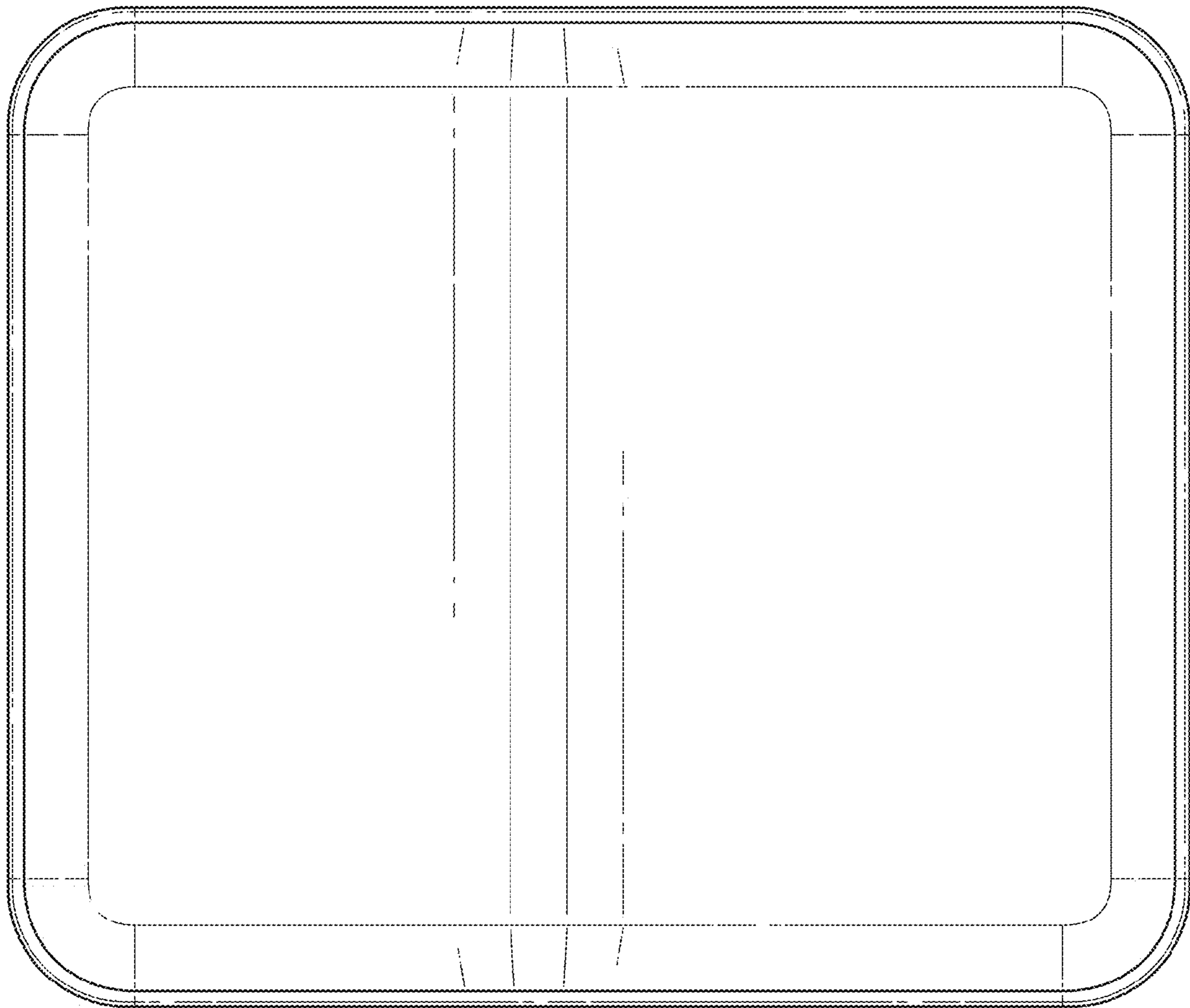


FIG. 14