



US00D873816S

(12) **United States Design Patent**
Wu et al.

(10) **Patent No.:** **US D873,816 S**
(45) **Date of Patent:** **** Jan. 28, 2020**

(54) **NOTEBOOK COMPUTER**

- (71) Applicants: **Tung-Ying Wu**, Taipei (TW);
Ming-Chung Liu, Taipei (TW);
Kuan-Chang Lee, Taipei (TW)
- (72) Inventors: **Tung-Ying Wu**, Taipei (TW);
Ming-Chung Liu, Taipei (TW);
Kuan-Chang Lee, Taipei (TW)
- (73) Assignee: **COMPAL ELECTRONICS, INC.**,
Taipei (TW)
- (**) Term: **15 Years**

- (21) Appl. No.: **29/630,420**
- (22) Filed: **Dec. 20, 2017**
- (51) **LOC (12) Cl.** **14-02**
- (52) **U.S. Cl.**
USPC **D14/315**
- (58) **Field of Classification Search**
USPC D14/315-328, 331, 334-335, 339-340;
D18/1-2, 7, 11, 12.2-12.3; D25/48.7
CPC G06F 1/166; G06F 1/1613; G06F 1/1616;
G06F 1/1618; G06F 1/162; G06F 1/1622;
G06F 1/1624; G06F 1/1633; G06F
1/1615; G06F 1/1643; G06F 1/1654;
G06F 1/1669; G06F 1/203; G06F 1/1688
See application file for complete search history.

(56) **References Cited**

U.S. PATENT DOCUMENTS

- 3,640,559 A * 2/1972 Royer E05C 17/60
292/288
- 4,799,332 A * 1/1989 Haas E06B 1/62
49/406

(Continued)

OTHER PUBLICATIONS

Wandi J., Sliden'joy: The World's First Gadget That Triples Your Laptop's Screen, posted at Tech Info Blog, posting date Mar. 16, 2016. Site visited Oct. 29, 2019. URL: <http://id-techinfo.blogspot.com/2016/03/sliden-world-first-gadget-that-triples.html> (Year: 2016).*

Primary Examiner — Kevin K Rudzinski
Assistant Examiner — Kathleen L Jones
(74) *Attorney, Agent, or Firm* — JCIPRNET

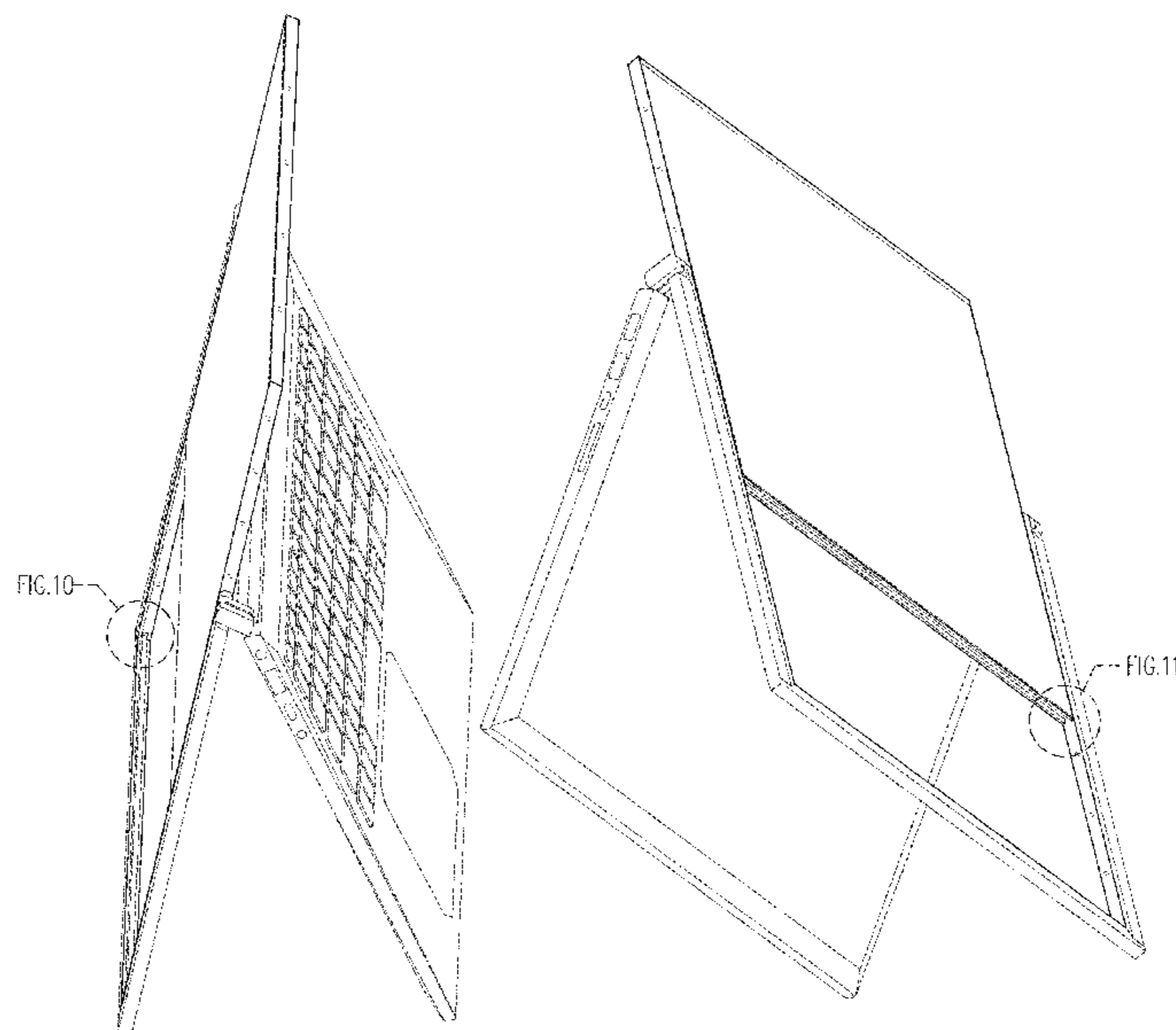
(57) **CLAIM**

The ornamental design for a notebook computer, as shown and described.

DESCRIPTION

FIG. 1 is a perspective view of a notebook computer showing our new design;
 FIG. 2 is another perspective view thereof;
 FIG. 3 is a front view thereof;
 FIG. 4 is a rear view thereof;
 FIG. 5 is a left side view thereof;
 FIG. 6 is a right side view thereof;
 FIG. 7 is a top view thereof;
 FIG. 8 is a bottom view thereof;
 FIG. 9 is a cross-section view taken along the line 9-9 of FIG. 5 with the internal parts being omitted;
 FIG. 10 is enlarged view thereof encircled portion of FIG. 1;
 FIG. 11 is enlarged view thereof encircled portion of FIG. 2;
 FIG. 12 is enlarged view thereof encircled portion of FIG. 3;
 FIG. 13 is enlarged view thereof encircled portion of FIG. 3;
 FIG. 14 is enlarged view thereof encircled portion of FIG. 7;
 FIG. 15 is enlarged view thereof encircled portion of FIG. 8;
 and,
 FIG. 16 is a perspective view thereof showing the display is moved.
 The dashed broken lines showing portions of the notebook computer form no part of the claimed design.

1 Claim, 15 Drawing Sheets



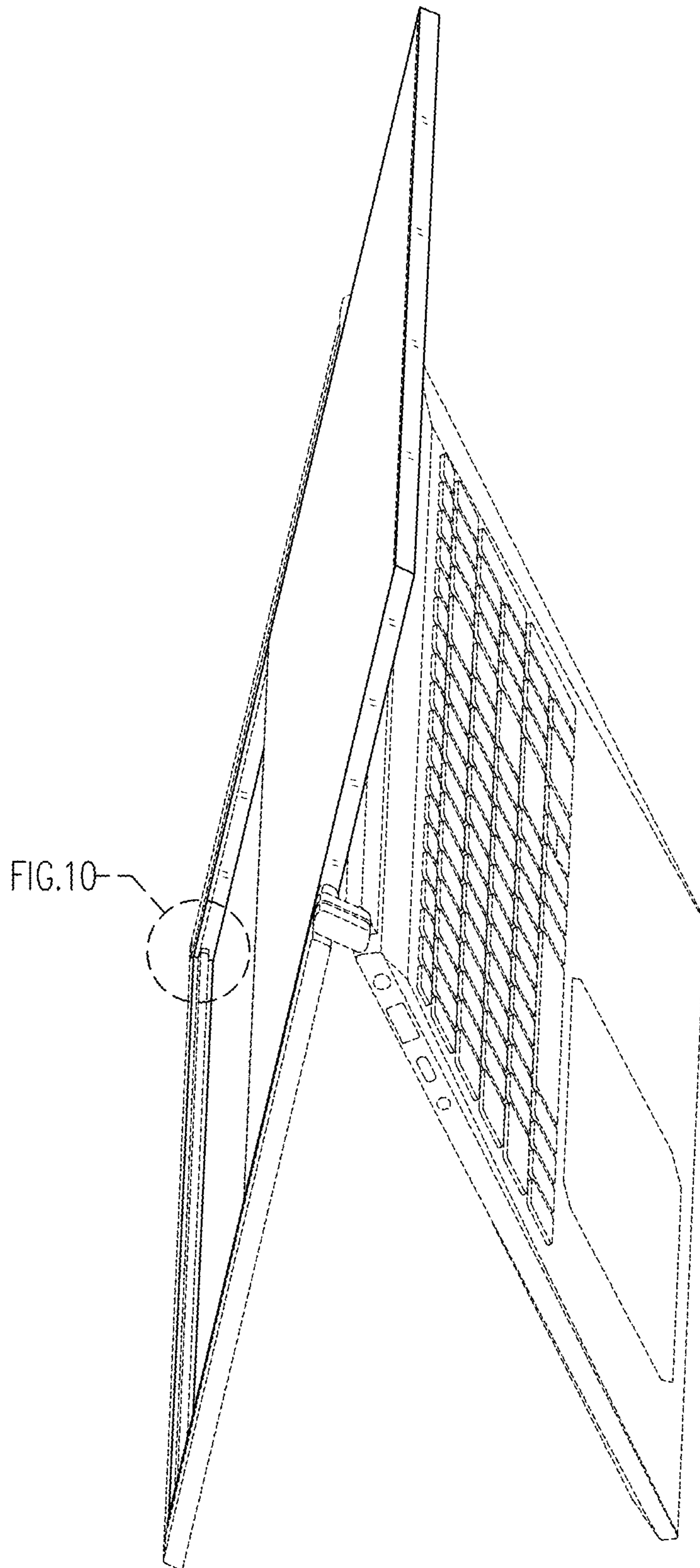
(56)

References Cited

U.S. PATENT DOCUMENTS

5,255,214	A *	10/1993	Ma	F16M 11/10				
					361/679.06				
5,900,848	A *	5/1999	Haneda	G06F 1/162				
					345/1.1				
6,405,497	B1 *	6/2002	Christopolous	E06B 9/01				
					49/54				
6,434,789	B1 *	8/2002	Kruse	E05D 15/066				
					16/100				
6,882,524	B2 *	4/2005	Ulla	G06F 1/1626				
					345/169				
6,985,356	B2 *	1/2006	Wang	G06F 1/162				
					248/920				
7,019,964	B1 *	3/2006	Maskatia	G06F 1/162				
					312/223.1				
D519,500	S *	4/2006	Maskatia	D14/318				
D621,826	S *	8/2010	Cheng	D14/327				
D621,827	S *	8/2010	Cheng	D14/327				
D626,547	S *	11/2010	Li	D14/316				
D691,603	S *	10/2013	Leonard	D14/316				
8,699,215	B2 *	4/2014	Whitt	G06F 1/1618				
					361/679.21				
D732,523	S *	6/2015	Riddiford	D14/315				
D733,120	S *	6/2015	Lee	D14/316				
D762,639	S *	8/2016	Montoya	D14/316				
D768,621	S *	10/2016	Park	D14/315				
D789,355	S *	6/2017	Cebe	D14/315				
9,795,213	B1 *	10/2017	Vier	G06F 3/0231				
D820,828	S *	6/2018	Li	D14/316				
10,254,794	B1 *	4/2019	Wu	G06F 1/1641				
2010/0306501	A1 *	12/2010	Chang	G06F 1/1643				
					712/31				
2011/0094161	A1 *	4/2011	Rees	E05D 15/48				
					49/260				
2011/0216483	A1 *	9/2011	Vesely	B60N 3/004				
					361/679.01				
2012/0268880	A1 *	10/2012	Tomita	G06F 1/1616				
					361/679.09				
2013/0069878	A1 *	3/2013	Li	G06F 1/1616				
					345/168				
2013/0109371	A1 *	5/2013	Brogan	G06F 1/1626				
					455/420				
2014/0352220	A1 *	12/2014	Rees	H04N 1/00				
					49/164				
2015/0052819	A1 *	2/2015	Lee	E06B 3/4627				
					49/420				
2015/0121764	A1 *	5/2015	Lee	E05D 15/0665				
					49/420				
2017/0177036	A1 *	6/2017	Pan	G06F 1/1616				
2017/0177037	A1 *	6/2017	Koo	G06F 1/1616				
2017/0211297	A1 *	7/2017	Godwin	E05B 65/0888				
2019/0079563	A1 *	3/2019	Wu	G06F 1/1679				
2019/0258300	A1 *	8/2019	Gerardi	G06F 1/1618				
2019/0277075	A1 *	9/2019	Jeffries	E05D 15/08				

* cited by examiner



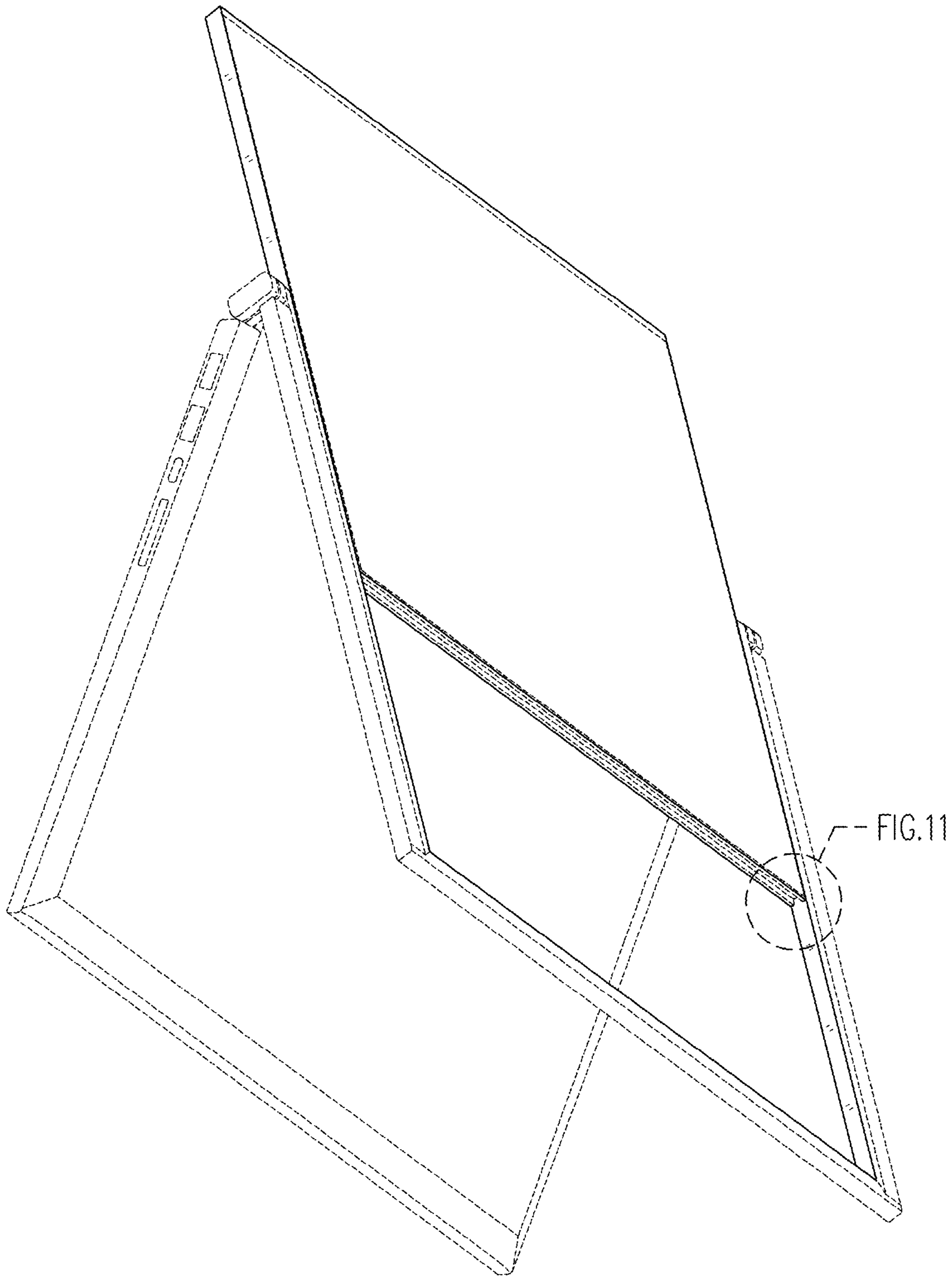


FIG. 2

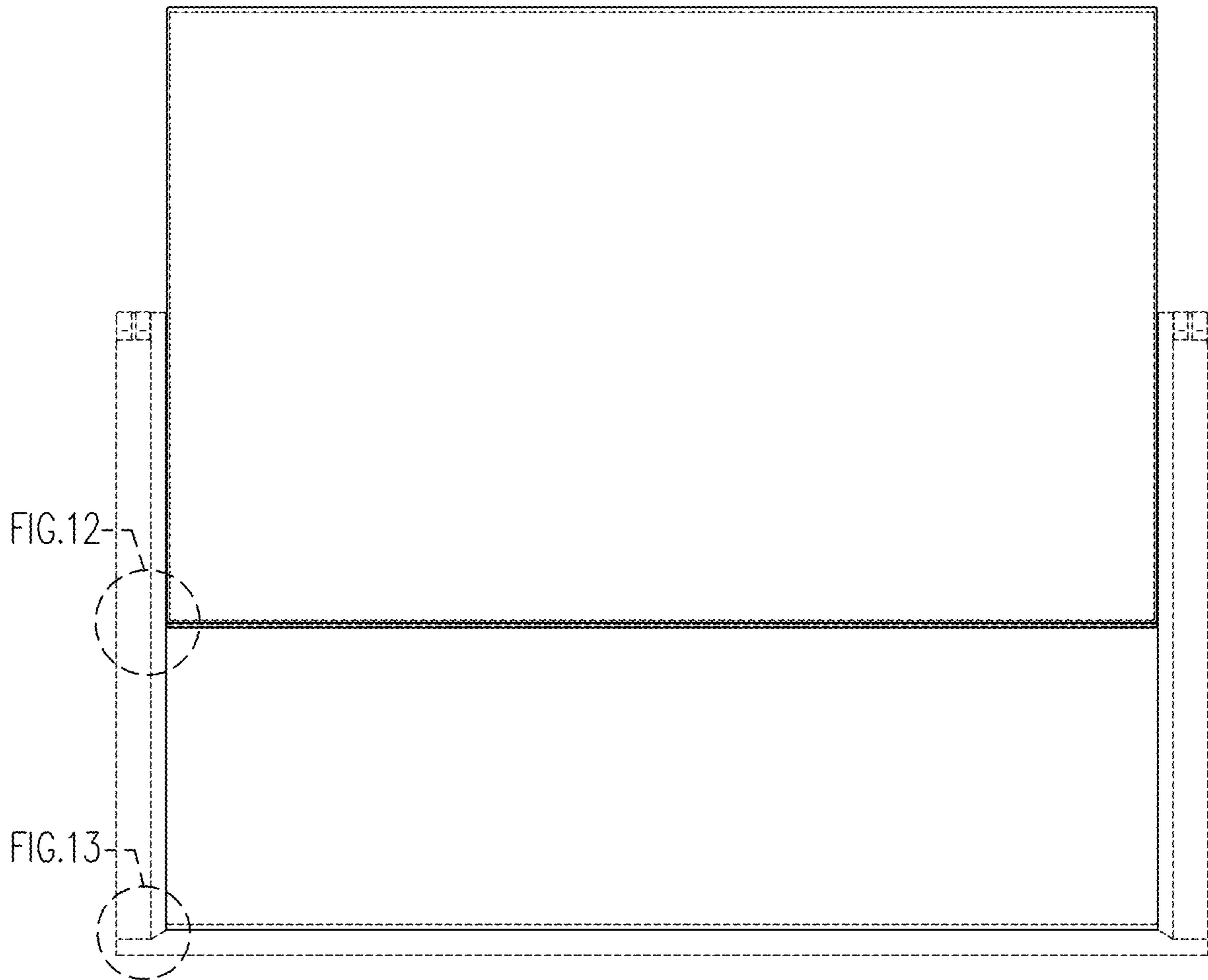


FIG. 3

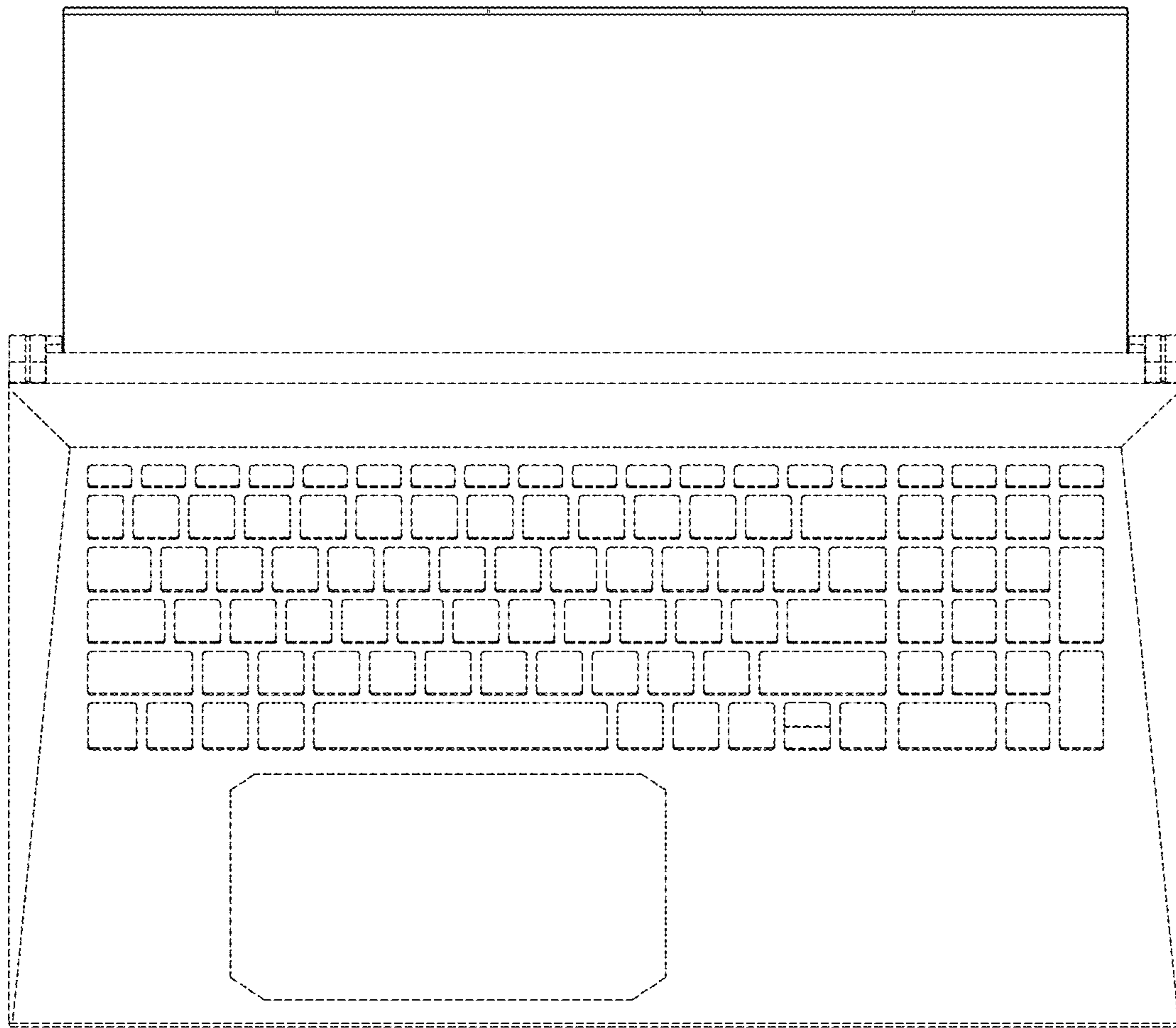


FIG. 4

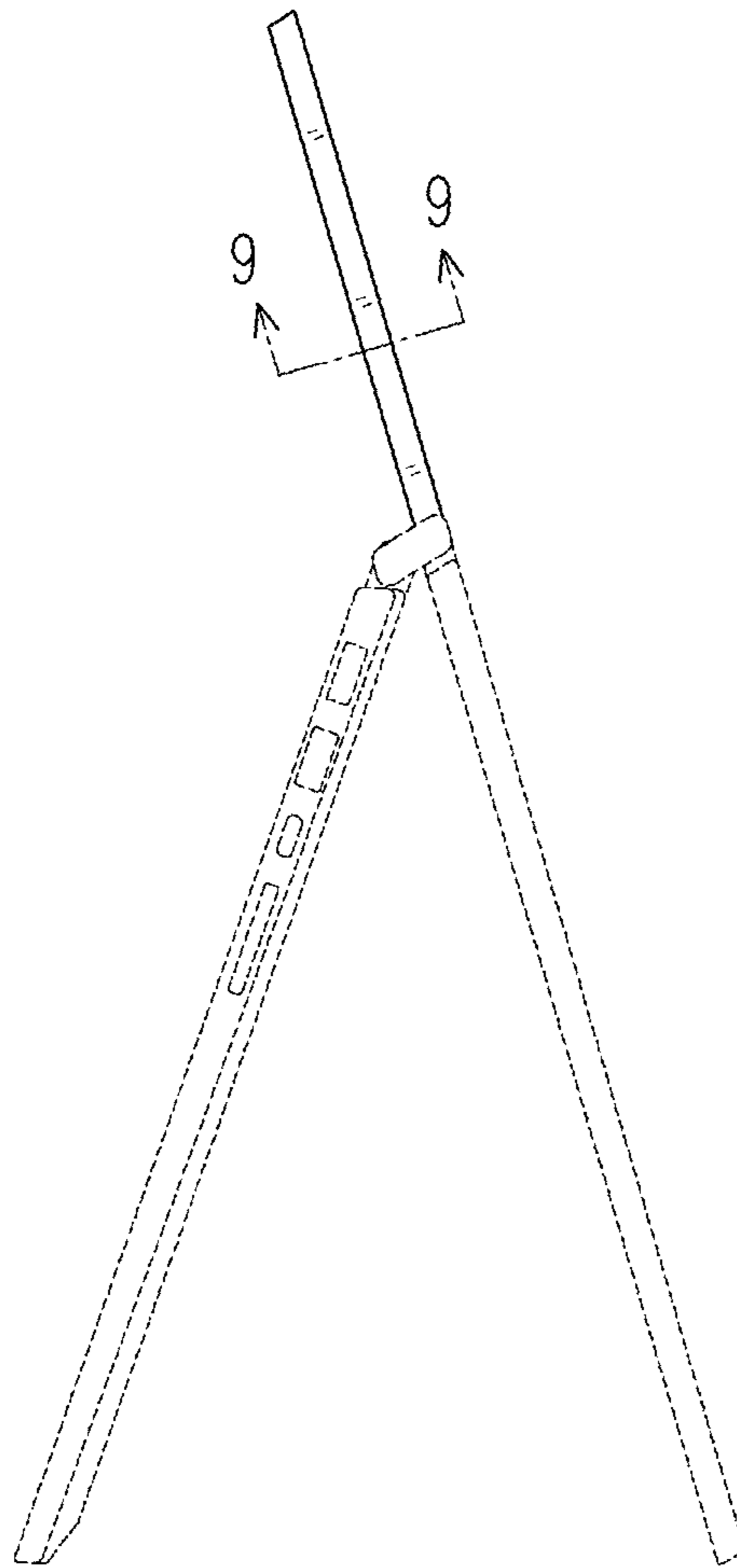


FIG. 5

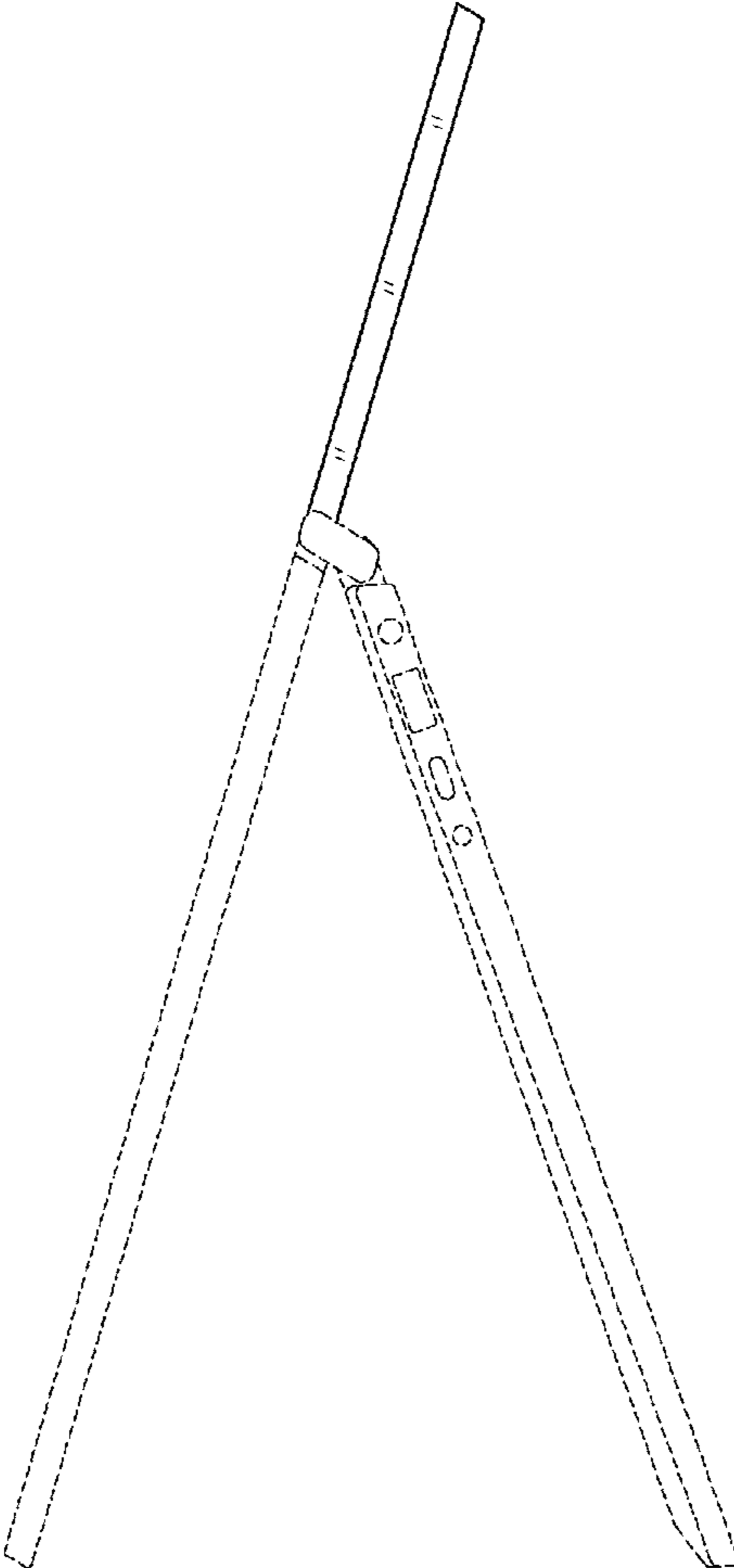


FIG. 6

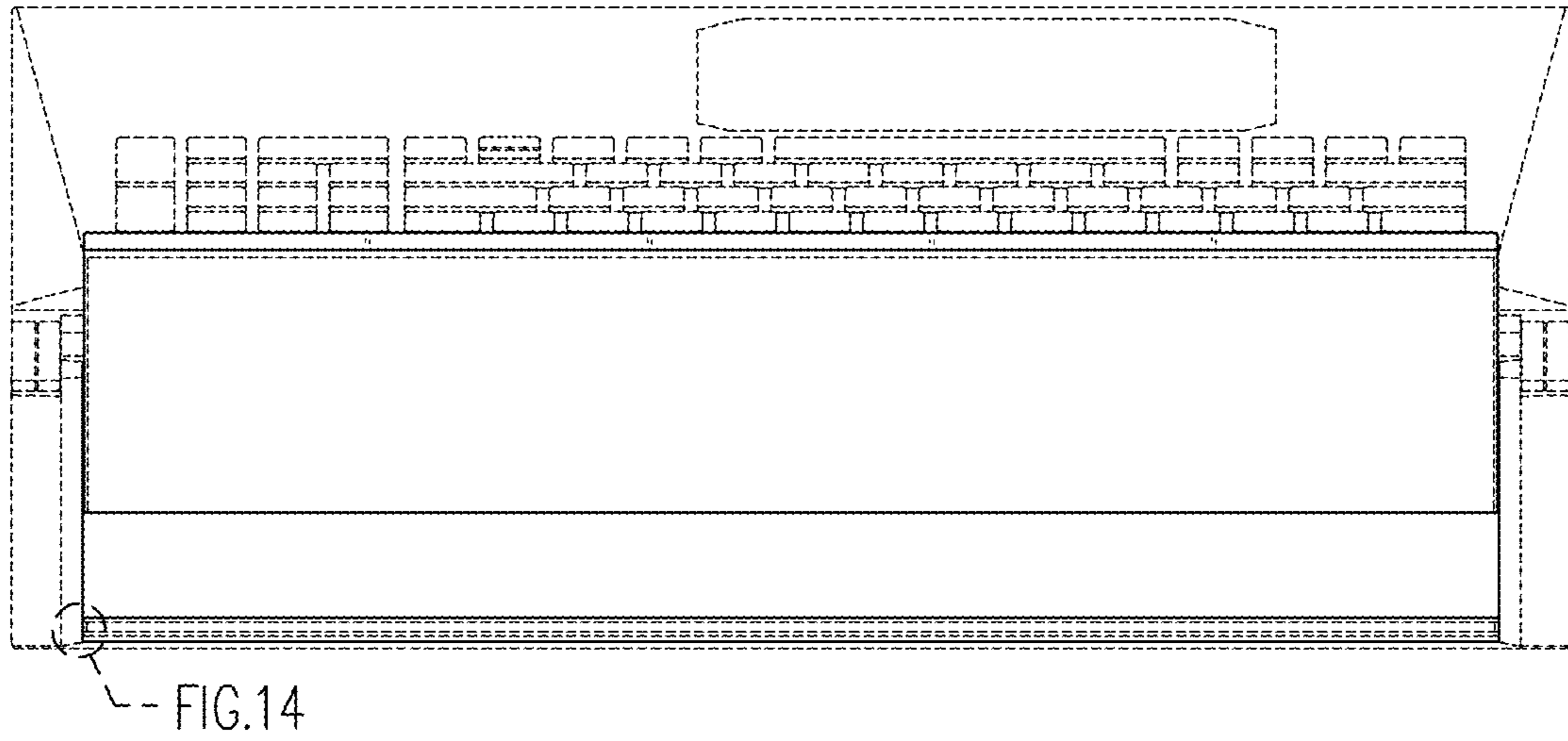


FIG. 7

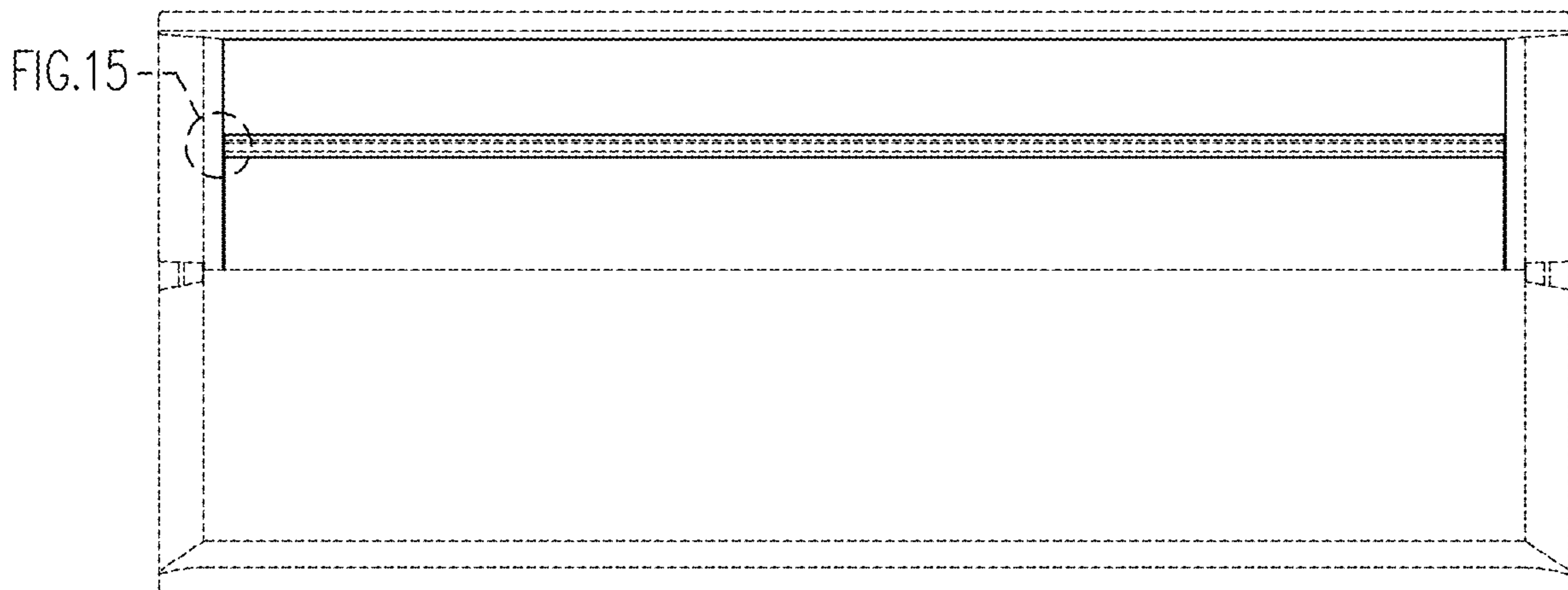


FIG. 8



FIG. 9

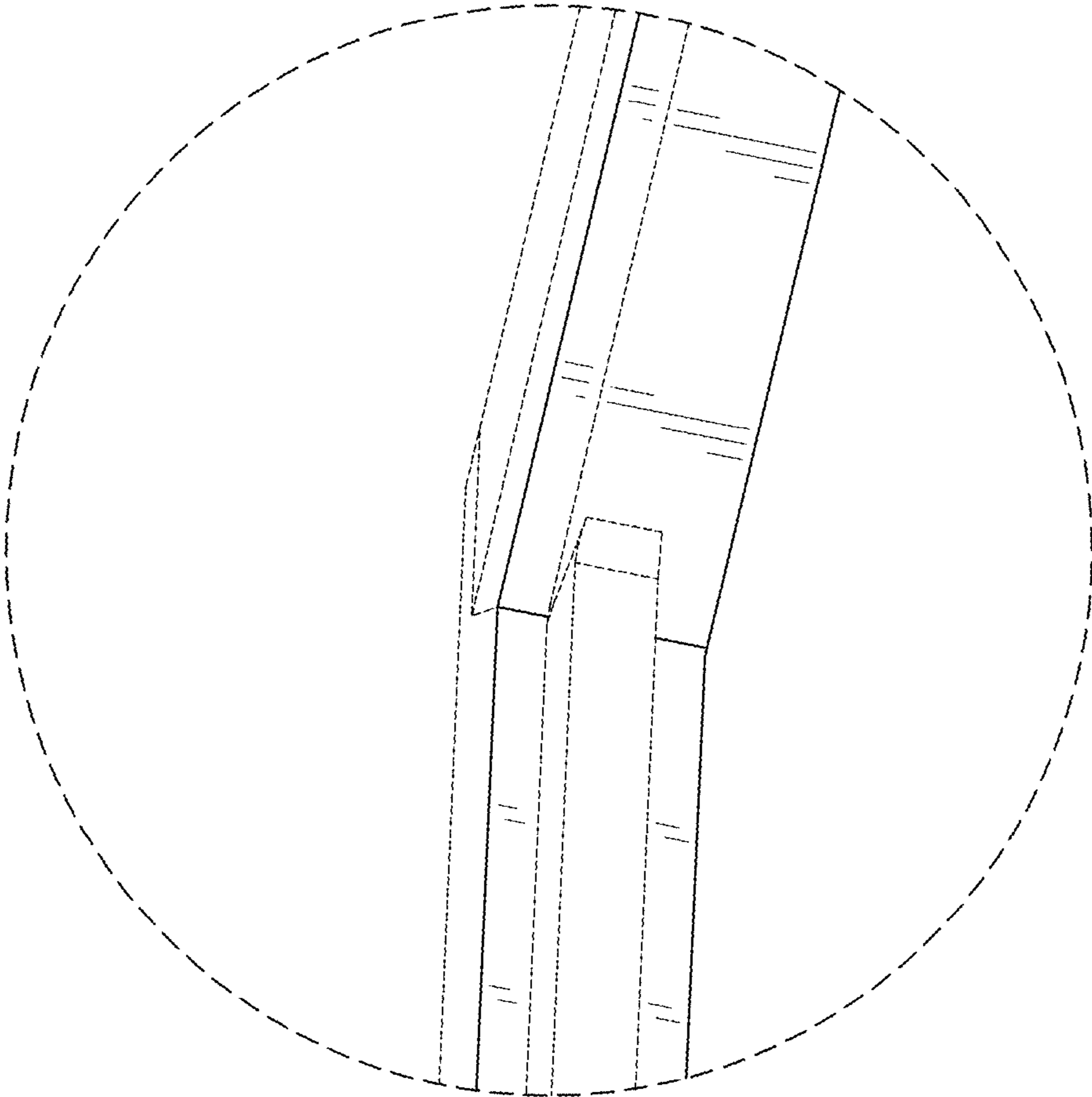


FIG. 10

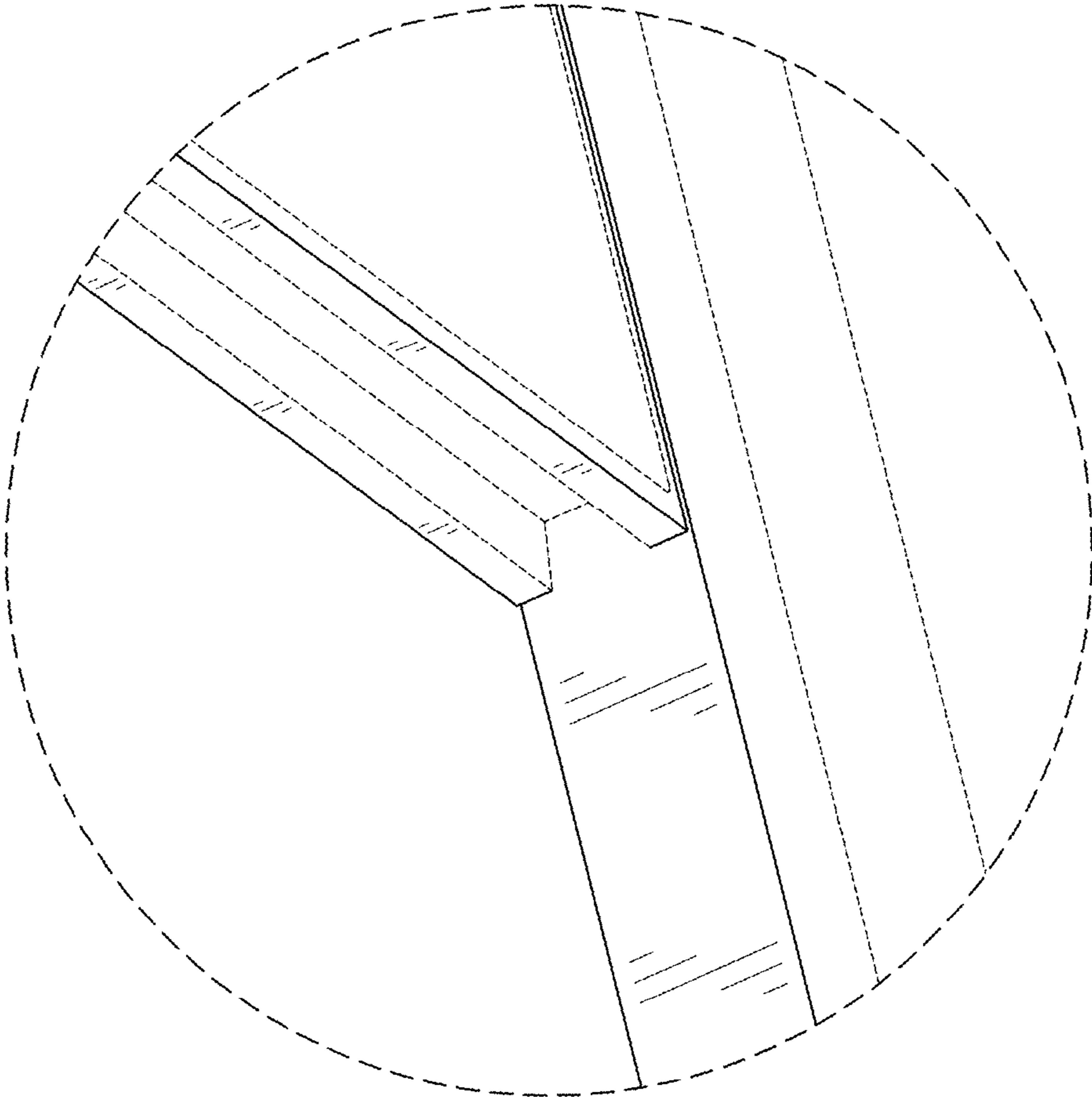


FIG. 11

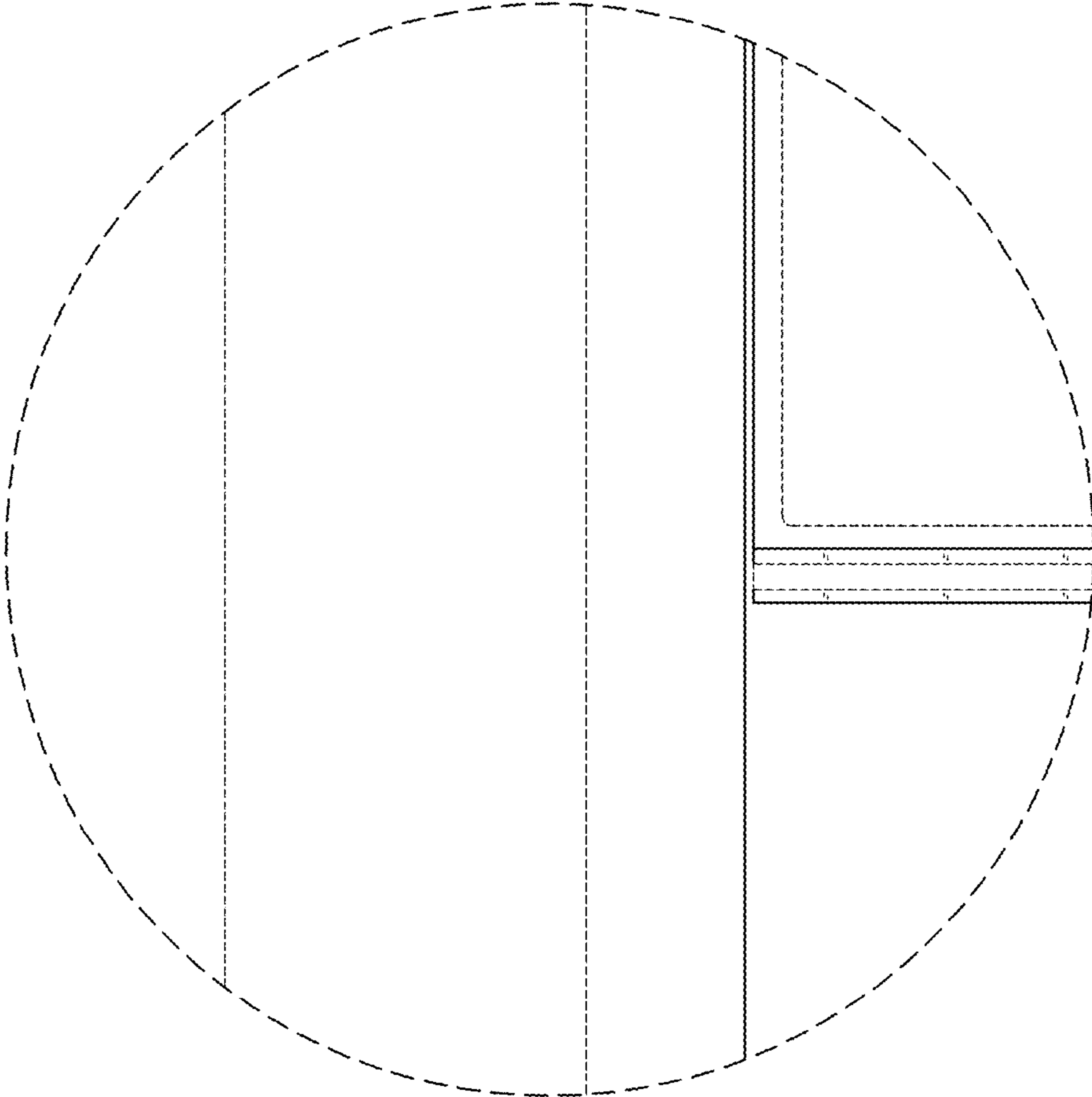


FIG. 12

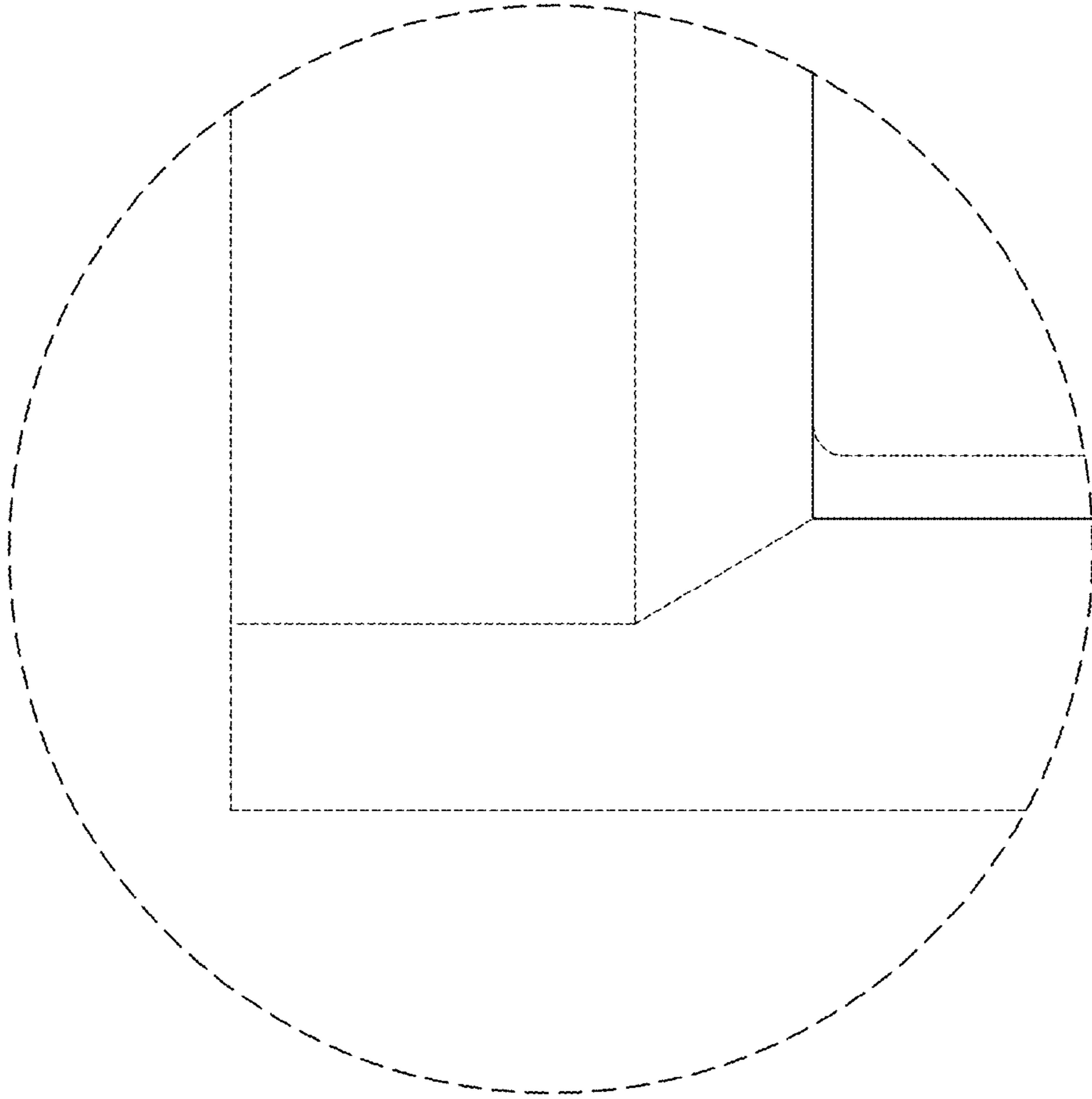


FIG. 13

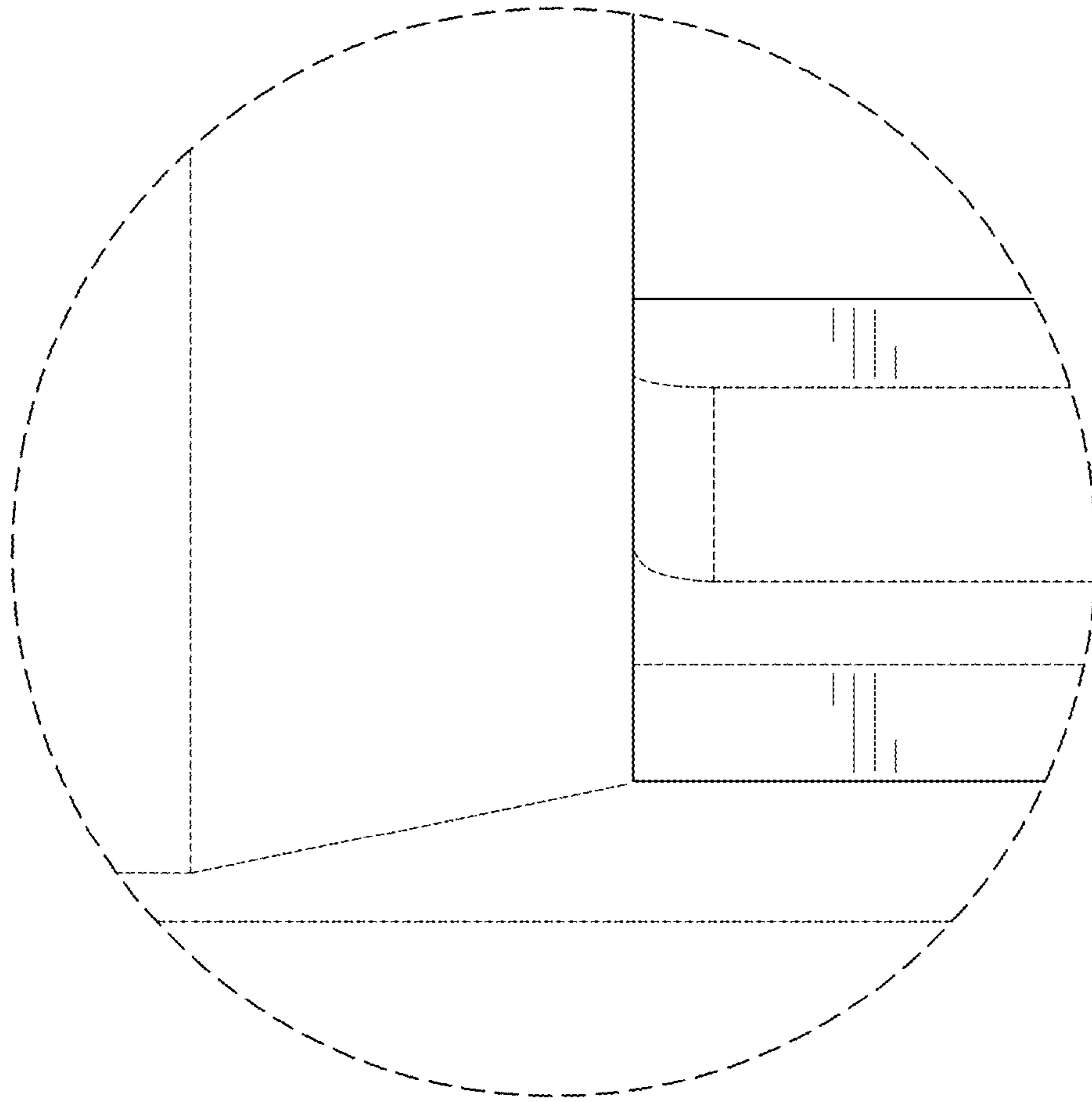


FIG. 14

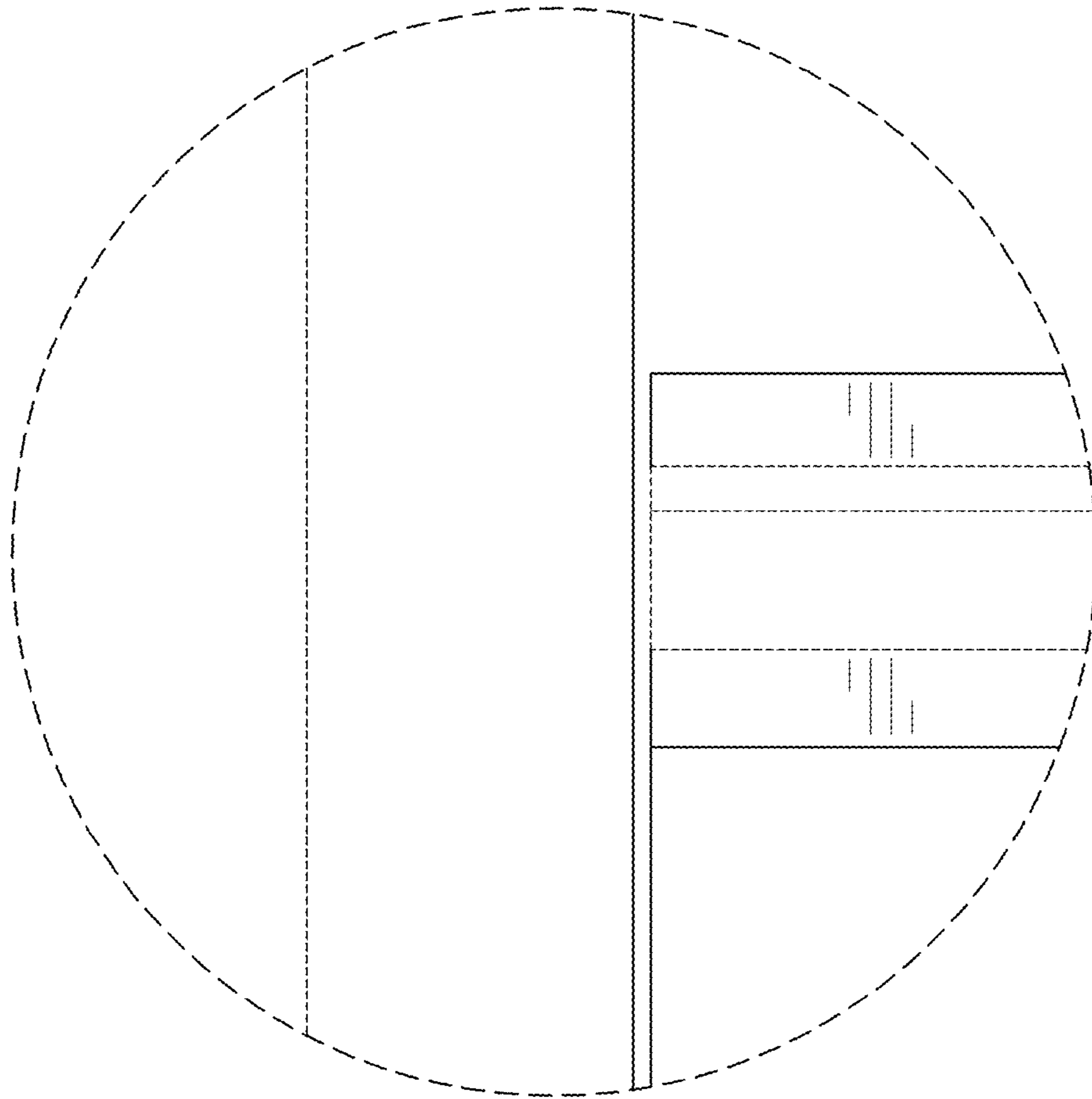


FIG. 15

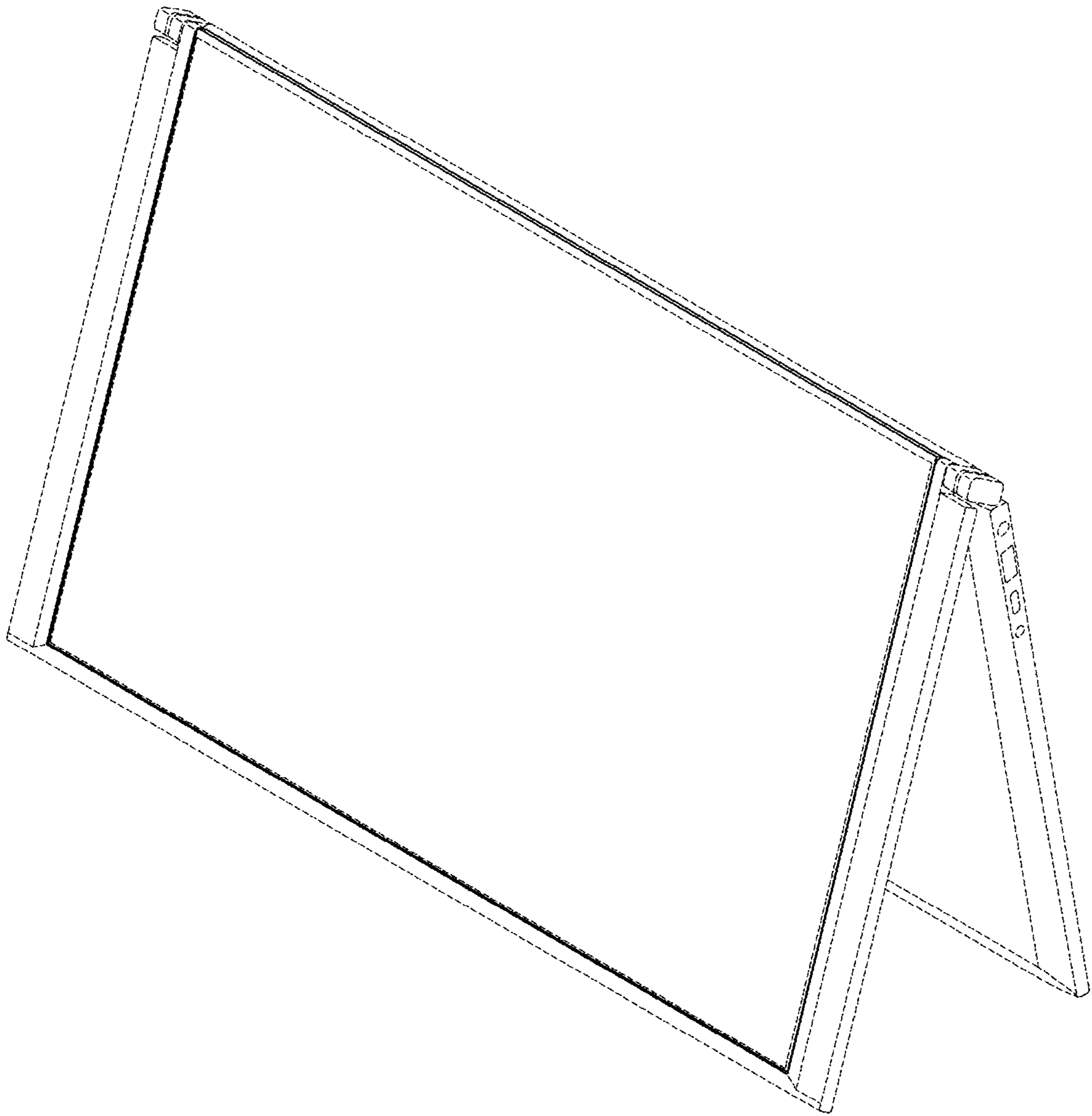


FIG. 16