



US00D873815S

(12) **United States Design Patent** (10) **Patent No.:** **US D873,815 S**  
**McWilliam et al.** (45) **Date of Patent:** **\*\* Jan. 28, 2020**

(54) **ELECTRONIC DEVICE**

D486,456 S 2/2004 Fujiki  
D499,730 S 12/2004 Yamashiro  
D503,391 S 3/2005 Kato et al.  
(Continued)

(71) Applicant: **Amazon Technologies, Inc.**, Seattle, WA (US)

(72) Inventors: **Giles David Matthew McWilliam**, San Francisco, CA (US); **Christopher Green**, San Francisco, CA (US); **Gregory Michael Hart**, Mercer Island, WA (US); **Marc Rene Walliser**, San Francisco, CA (US); **Sun Joo Han**, San Francisco, CA (US)

**FOREIGN PATENT DOCUMENTS**

CN 301625016 \* 7/2011  
WO D069598017 1/2008

(73) Assignee: **Amazon Technologies, Inc.**, Seattle, WA (US)

**OTHER PUBLICATIONS**

The Canadian Office Action dated Feb. 7, 2017 for Canadian Design Application No. 171063, a counterpart foreign application of Design U.S. Appl. No. 29/562,671, 2 pages.  
The Canadian Office Action dated May 26, 2017 for Canadian Design Application No. 171063, a counterpart foreign application of Design U.S. Appl. No. 29/562,671, 1 page.

(\*\*) Term: **15 Years**

(Continued)

(21) Appl. No.: **29/673,284**

*Primary Examiner* — Susan Bennett Hattan  
*Assistant Examiner* — Lauren D McVey  
(74) *Attorney, Agent, or Firm* — Lee & Hayes, P.C.

(22) Filed: **Dec. 13, 2018**

**Related U.S. Application Data**

(62) Division of application No. 29/629,112, filed on Dec. 11, 2017, now Pat. No. Des. 841,644, which is a division of application No. 29/562,671, filed on Apr. 27, 2016, now Pat. No. Des. 806,066.

(57) **CLAIM**

The ornamental design for an electronic device, as shown and described.

(51) **LOC (12) Cl.** ..... **14-02**

**DESCRIPTION**

(52) **U.S. Cl.**

USPC ..... **D14/314**

(58) **Field of Classification Search**

USPC ..... D14/314, 336, 341, 371, 373, 374, 375, D14/376, 377, 126, 127, 128, 129; D13/162-164, 177, 184; D10/51, 106.6, D10/106.8, 116.1, 2, 15, 17

CPC ..... G06F 1/1601; G06F 1/1605; G06F 1/162  
See application file for complete search history.

FIG. 1 is a bottom, front perspective view of an electronic device;  
FIG. 2 is a top, back perspective view thereof;  
FIG. 3 is a front view thereof;  
FIG. 4 is a back view thereof;  
FIG. 5 is a left-side view thereof;  
FIG. 6 is a right-side view thereof;  
FIG. 7 is a top view thereof; and,  
FIG. 8 is a bottom view thereof.

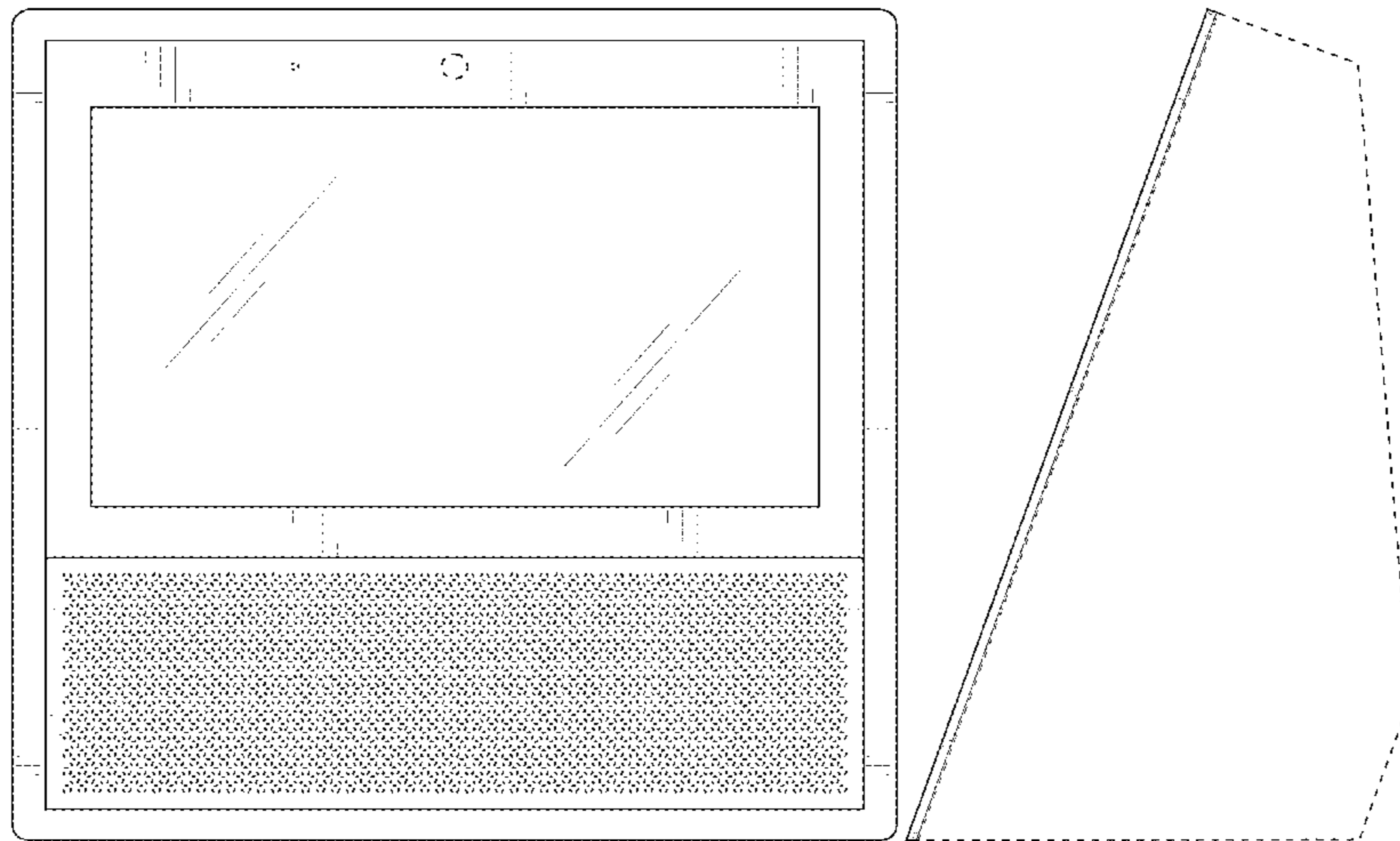
(56) **References Cited**

**U.S. PATENT DOCUMENTS**

D348,056 S 6/1994 Savio  
D456,020 S 4/2002 Obata et al.  
D484,106 S \* 12/2003 Onoda ..... D14/128

The broken lines immediately adjacent the shaded areas represent the bounds of the claimed design while all other broken lines are directed to environment; the broken lines form no part of the claimed design.

**1 Claim, 8 Drawing Sheets**



(56)

References Cited

U.S. PATENT DOCUMENTS

D508,471 S	8/2005	Chen et al.	
D514,535 S	2/2006	Villalobos et al.	
D514,536 S	2/2006	Villalobos et al.	
D514,565 S	2/2006	Haygood	
D536,314 S *	2/2007	Chen .....	D14/128
D538,765 S	3/2007	Park et al.	
D539,767 S *	4/2007	Kang .....	D14/126
D545,691 S *	7/2007	Bhavnani .....	D10/15
D551,193 S	9/2007	Ooshima et al.	
D558,700 S	1/2008	Onoda et al.	
D558,701 S	1/2008	Onoda et al.	
D571,749 S	6/2008	Barnett et al.	
D585,056 S	1/2009	Ekelund	
D612,503 S	3/2010	Johnston et al.	
D615,527 S *	5/2010	Hwang .....	D14/203.7
D637,985 S *	5/2011	Andresen .....	D14/126
D646,258 S *	10/2011	Van Der Flier .....	D14/130
D651,185 S *	12/2011	Andresen .....	D14/126
D694,229 S	11/2013	Wolf	
D697,910 S	1/2014	Bianco et al.	
D703,311 S	4/2014	Daly	
D724,041 S *	3/2015	Li .....	D14/126
D739,365 S	9/2015	Garcia	
D747,763 S	1/2016	Haller	
D761,748 S *	7/2016	Han .....	D14/126
D762,603 S *	8/2016	Han .....	D14/126
D789,362 S	6/2017	Eljas	
D806,066 S	12/2017	McWilliam et al.	
D835,056 S *	12/2018	Won .....	D14/126
D841,644 S *	2/2019	McWilliam .....	D14/314

OTHER PUBLICATIONS

The First Examination Report dated Nov. 30, 2016 for CN design application No. 288067, a counterpart foreign application of design U.S. Appl. No. 29/562,671, 2 pages.

The First Examination Report mailed Nov. 30, 2016 for CN design application No. 288066, a counterpart foreign application of design U.S. Appl. No. 29/562,671, 2 pages.

The Chinese Office Action dated May 27, 2017 for Chinese Design Application No. 201630532285.3, a counterpart foreign application of Design U.S. Appl. No. 29/562,671, 1 page.

The Japanese Office Action dated Feb. 10, 2017 for Japanese Design Application No. 2016-023223, a counterpart foreign application of Design U.S. Appl. No. 29/562,671, 4 pages.

The Korean Office Action dated Apr. 20, 2017 for Korean design application No. 30-2016-51481 M001, a counterpart foreign application of design U.S. Appl. No. 29/562,671.

The Korean Office Action dated Apr. 20, 2017 for Korean design application No. 30/2016-51481 M002, a counterpart foreign application of design U.S. Appl. No. 29/562,671.

The Korean Office Action dated Apr. 20, 2017 for Korean design application No. 30-2016-51481 M003, a counterpart foreign application of design U.S. Appl. No. 29/562,671.

The Korean Office Action dated Apr. 20, 2017 for Korean design application No. 30-2016-51481 M004, a counterpart foreign application of design U.S. Appl. No. 29/562,671.

YouTube, "Introducing Echo Show", published May 9, 2017, Amazon Echo, retrieved from <https://www.youtube.com/watch?v=WQqxCeHhmeU> on Jul. 25, 2017, 2 pages.

\* cited by examiner

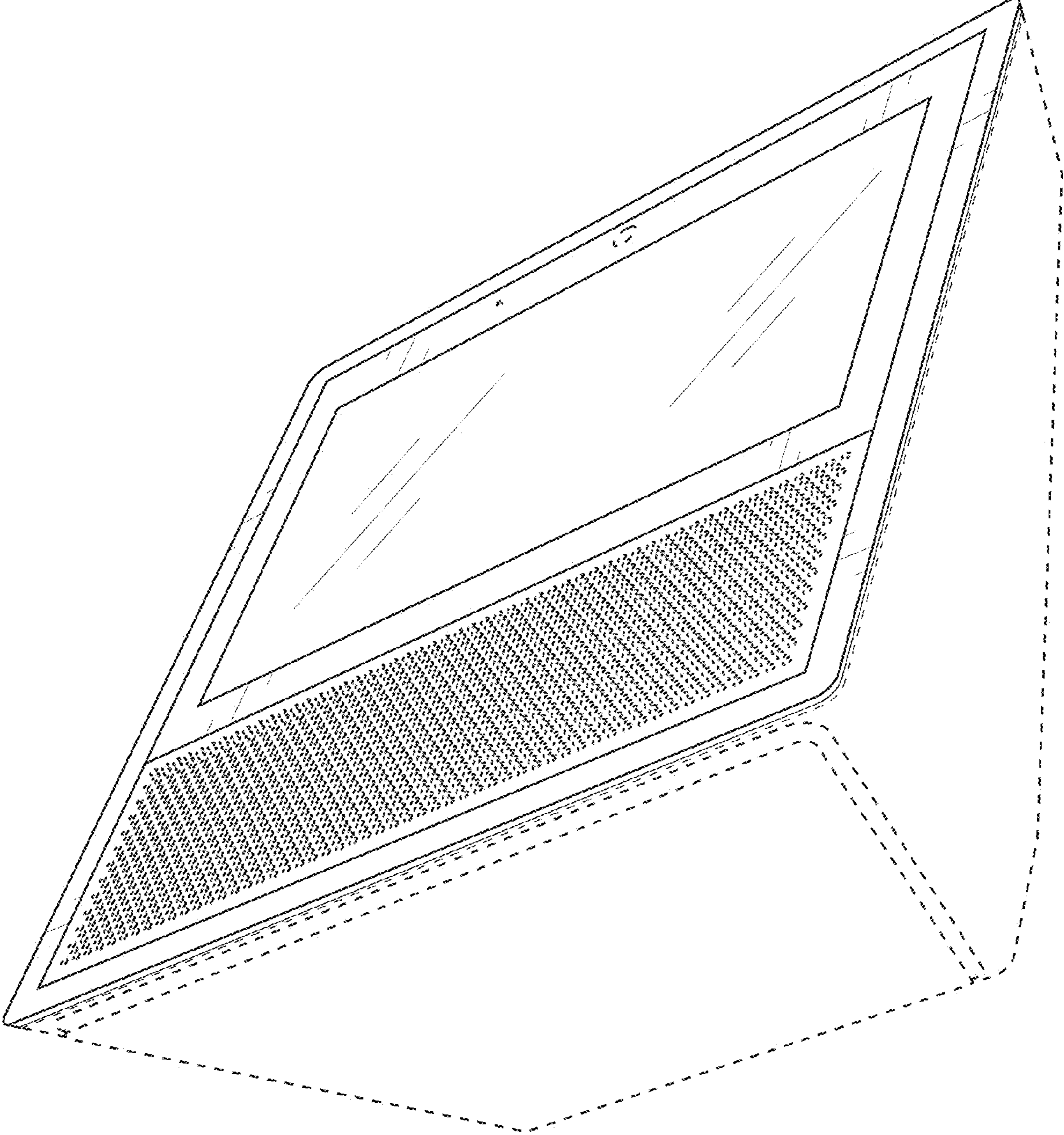


FIG. 1

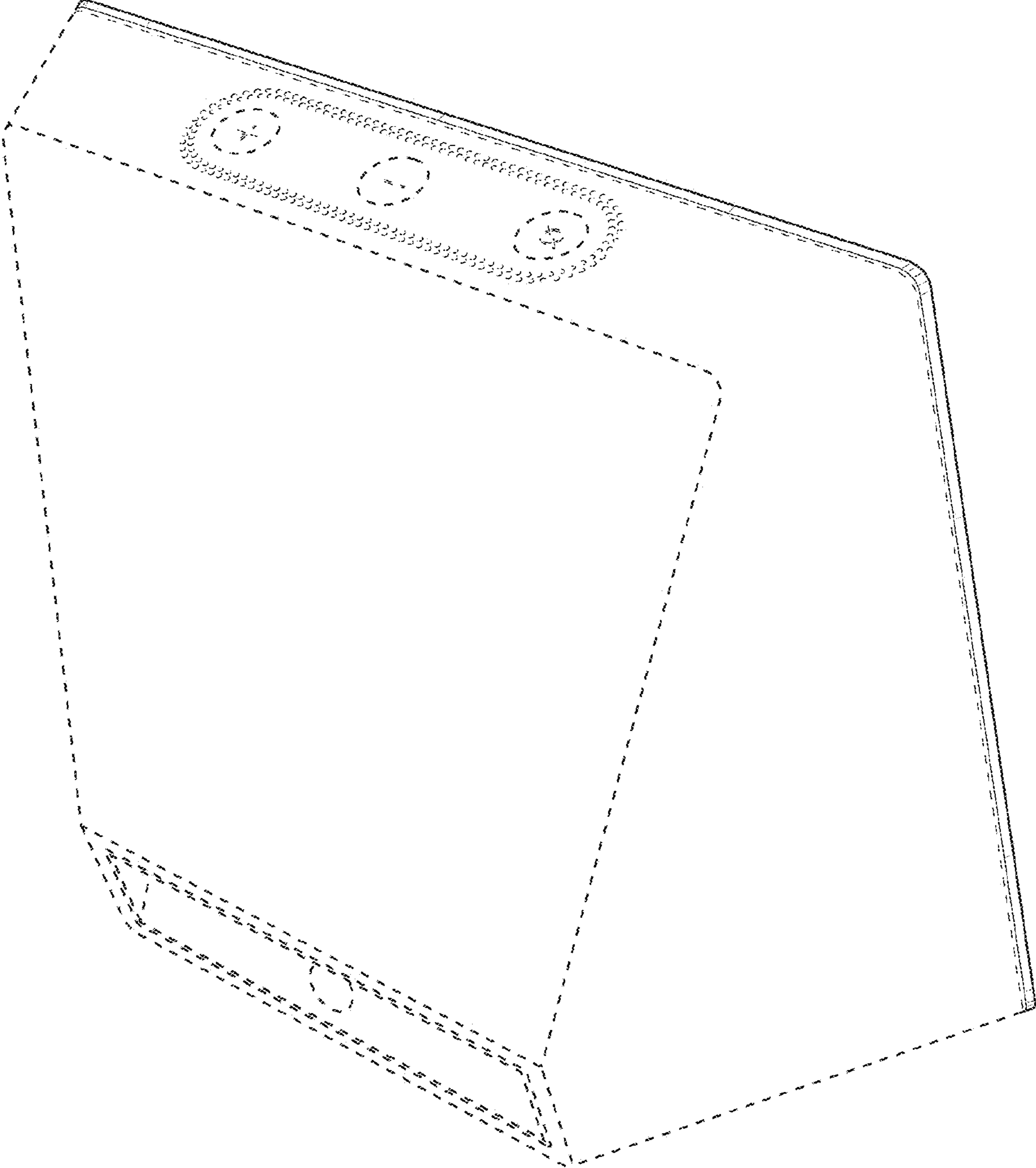


FIG. 2

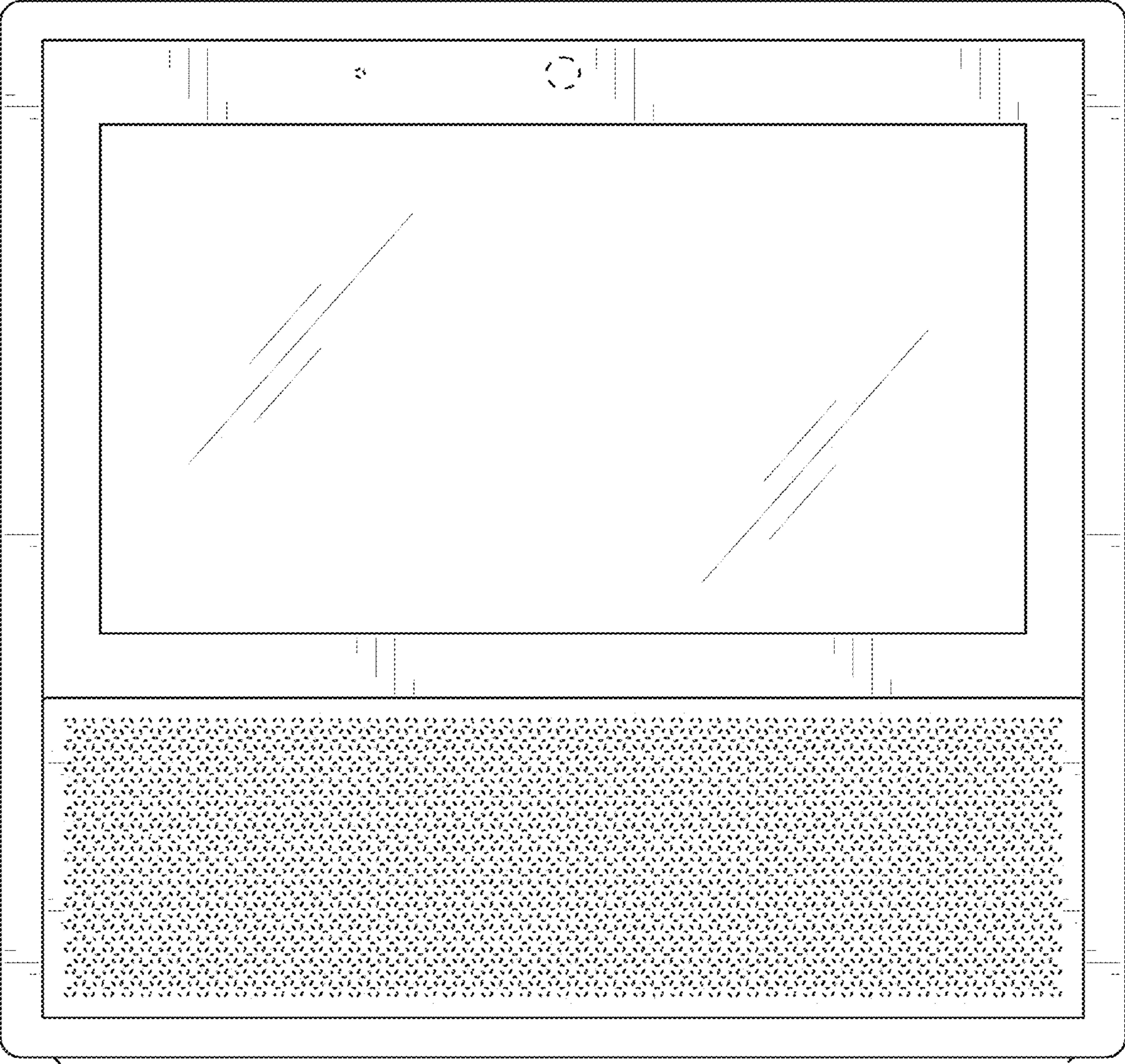


FIG. 3

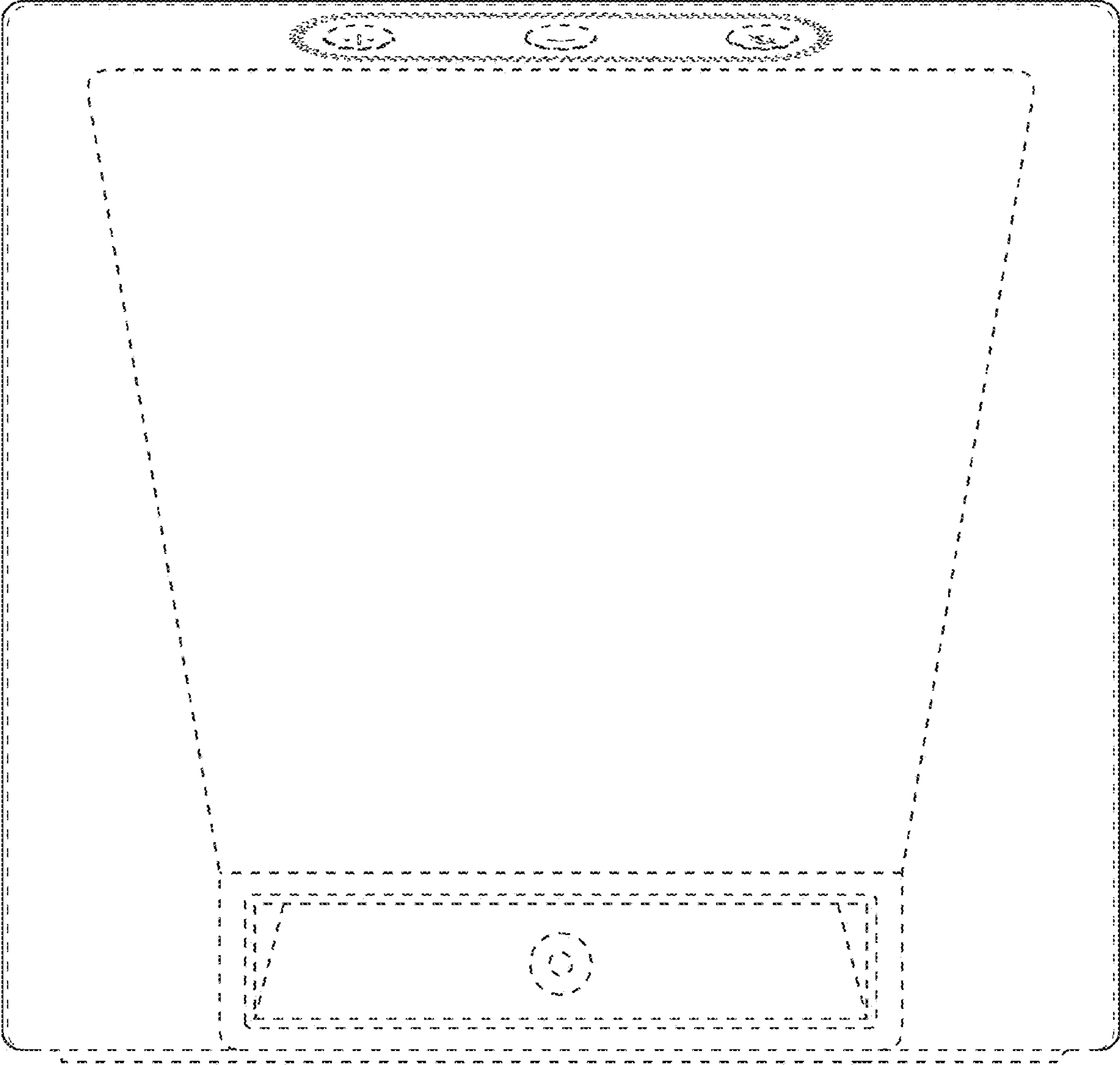


FIG. 4

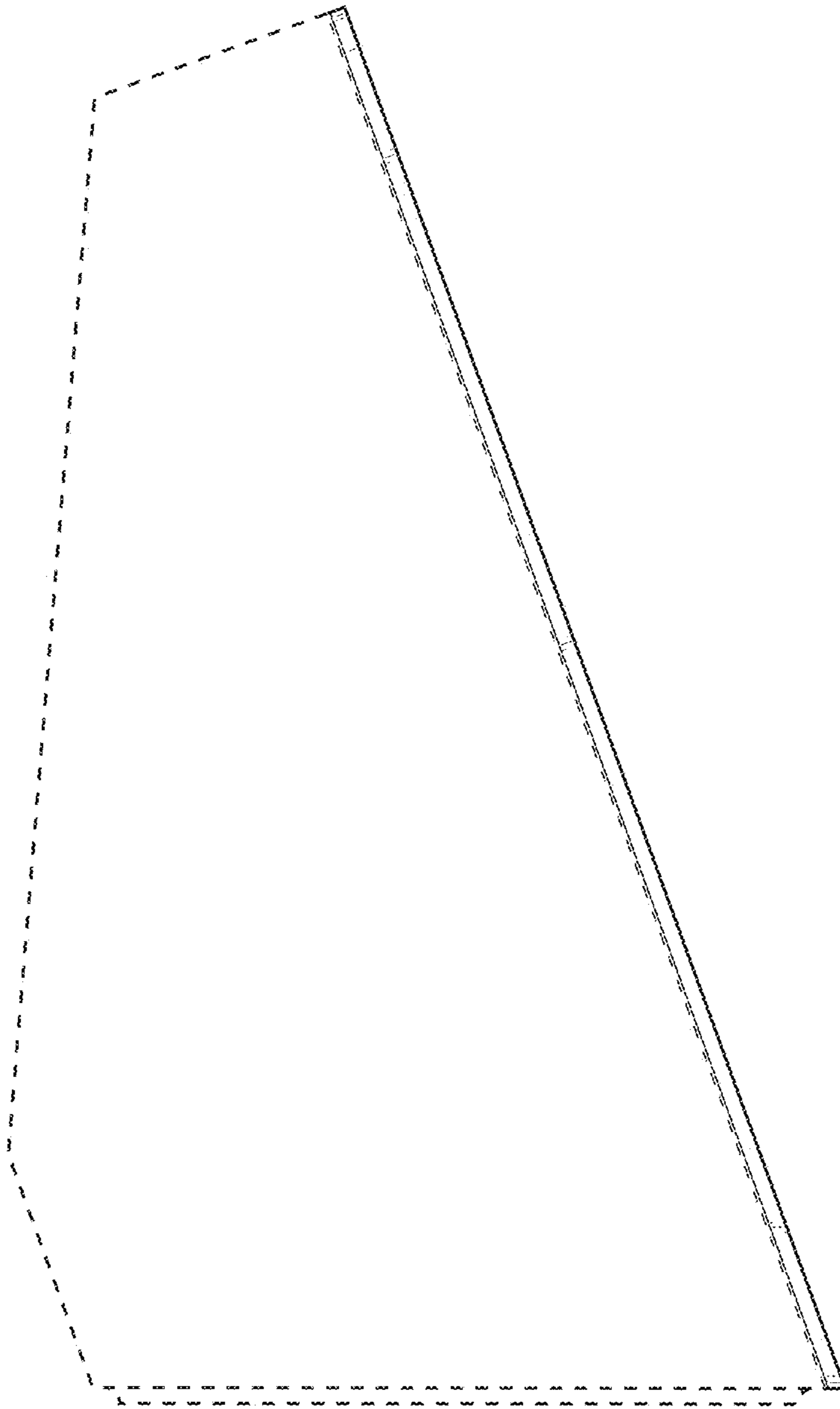


FIG. 5

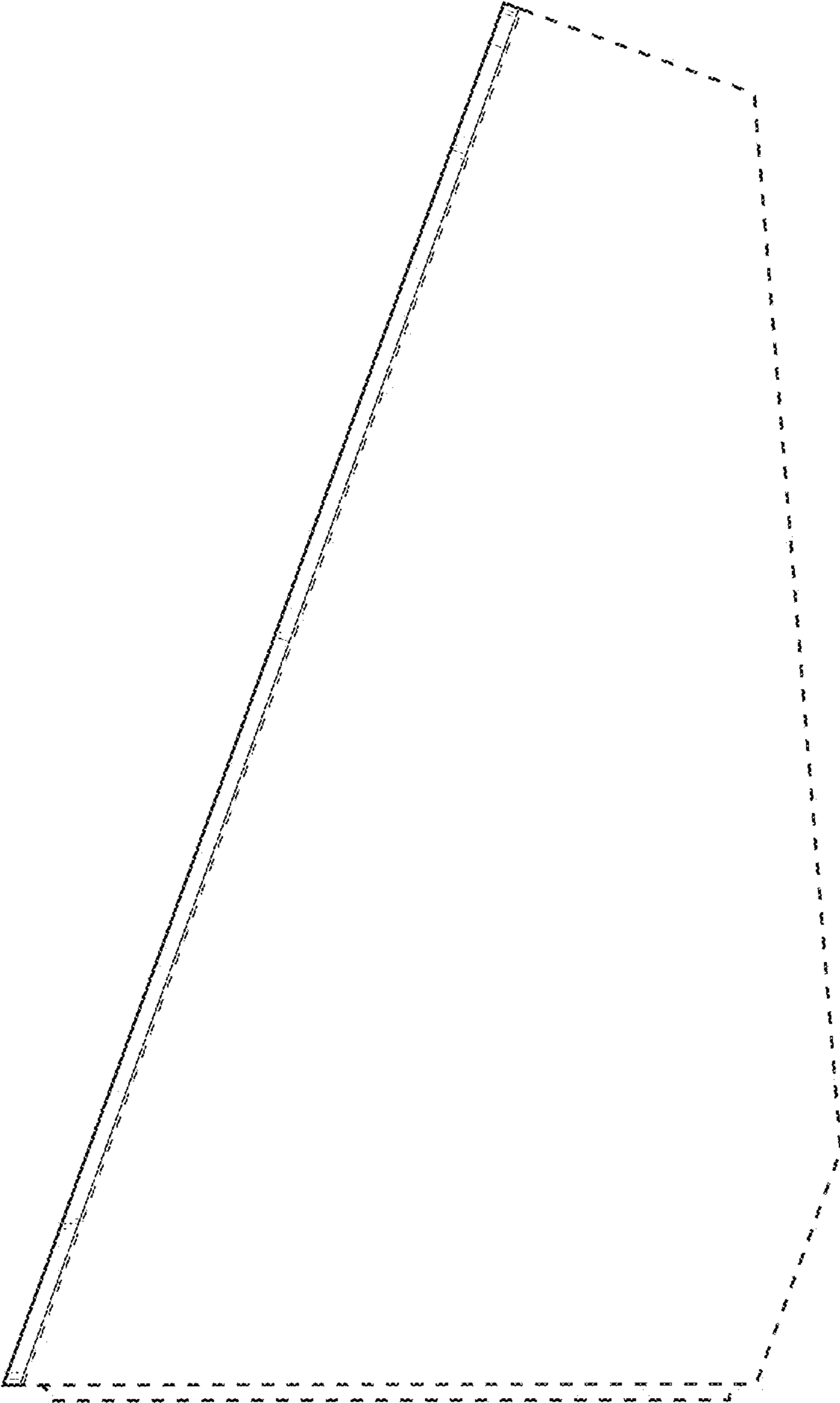


FIG. 6



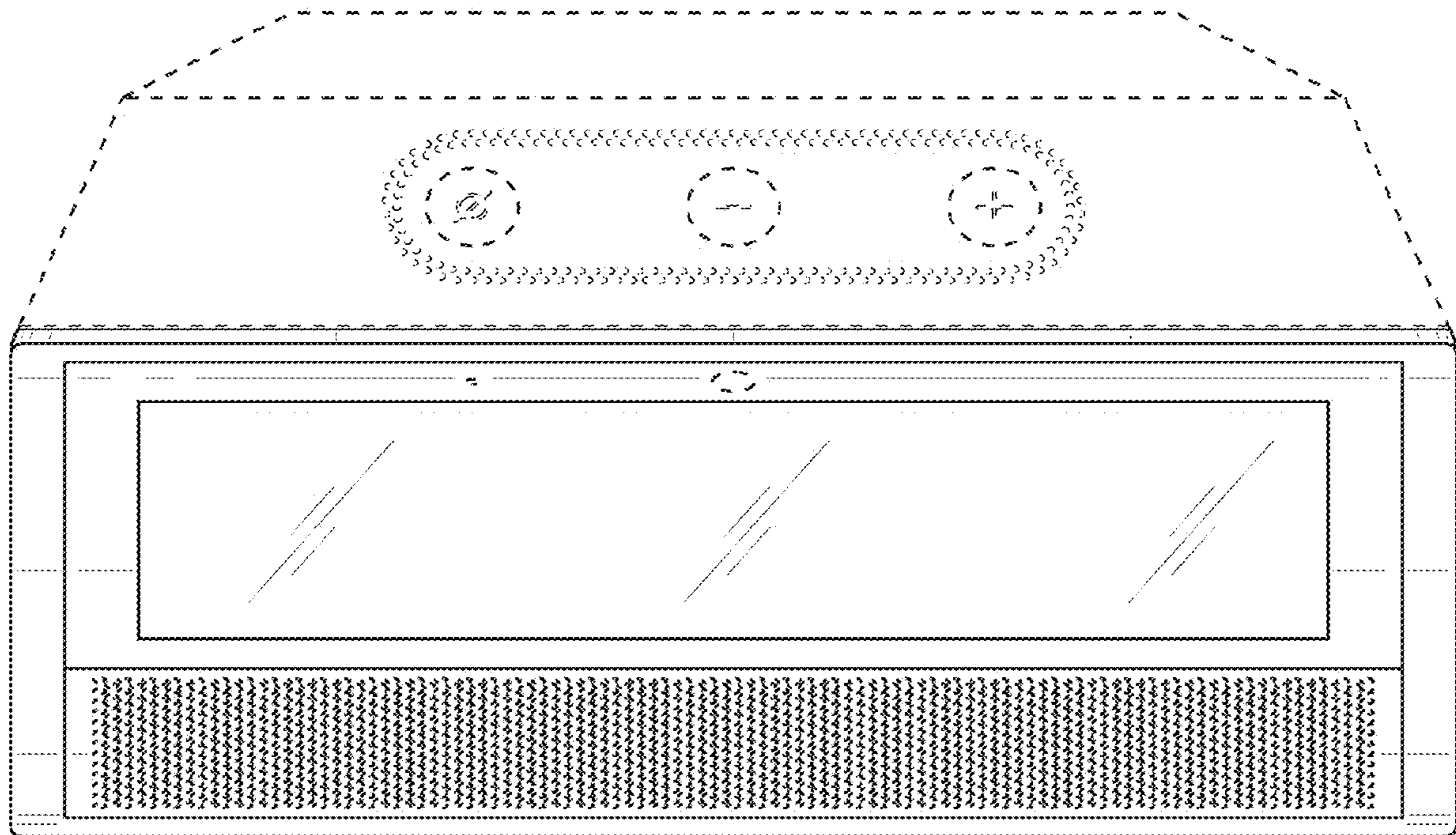


FIG. 7

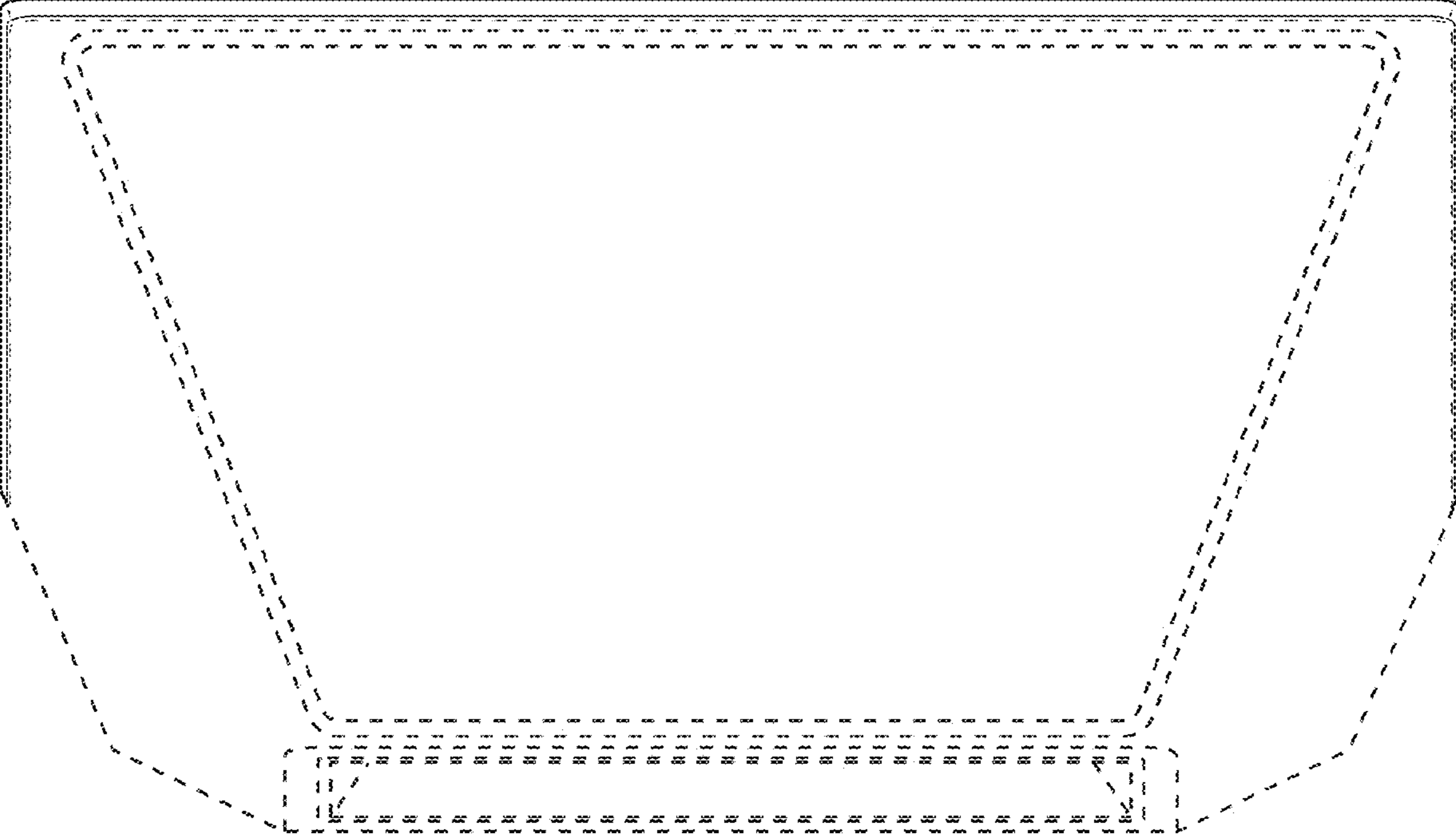


FIG. 8