



US00D873814S

(12) **United States Design Patent**  
**Yang**

(10) **Patent No.:** **US D873,814 S**

(45) **Date of Patent:** **\*\* Jan. 28, 2020**

(54) **MOBILE PHONE HOLDER FOR CAR AIR  
OUTLET**

(71) Applicant: **GUANGZHOU QICAITONG  
ELECTRONIC TECHNOLOGY CO.,  
LTD.**, Guangzhou (CN)

(72) Inventor: **Xiu-Quan Yang**, Guangzhou (CN)

(73) Assignee: **GUANGZHOU QICAITONG  
ELECTRONIC TECHNOLOGY CO.,  
LTD.**, Guangzhou (CN)

(\*\*) Term: **15 Years**

(21) Appl. No.: **29/674,734**

(22) Filed: **Dec. 25, 2018**

(51) **LOC (12) Cl.** ..... **14-03**

(52) **U.S. Cl.**  
USPC ..... **D14/253**

(58) **Field of Classification Search**  
USPC ..... D14/251-253, 440, 447; D12/415;  
D8/354  
CPC ..... F16M 13/00; F16M 2200/00  
See application file for complete search history.

(56) **References Cited**

**U.S. PATENT DOCUMENTS**

D598,910 S *	8/2009	Bradford	.....	D14/217
D618,671 S *	6/2010	Hou	.....	D14/217
D739,853 S *	9/2015	Lee	.....	D14/253
D766,886 S *	9/2016	Lee	.....	D14/253
D781,297 S *	3/2017	Liao	.....	D14/447
D817,947 S *	5/2018	Toussi	.....	D14/252

D826,918 S *	8/2018	Lebovitz	.....	D14/253
D840,999 S *	2/2019	Hu	.....	D14/253
D851,650 S *	6/2019	Minn	.....	F16M 13/00
				D14/447

D855,552 S *	8/2019	Chen	.....	D12/415
D864,092 S *	10/2019	Zhang	.....	D12/415
2017/0035172 A1 *	2/2017	Kim	.....	A45C 13/1069
2018/0043840 A1 *	2/2018	Minn	.....	B60R 11/02

\* cited by examiner

*Primary Examiner* — Janice Hallmark

(74) *Attorney, Agent, or Firm* — ScienBiziP, P.C.

(57) **CLAIM**

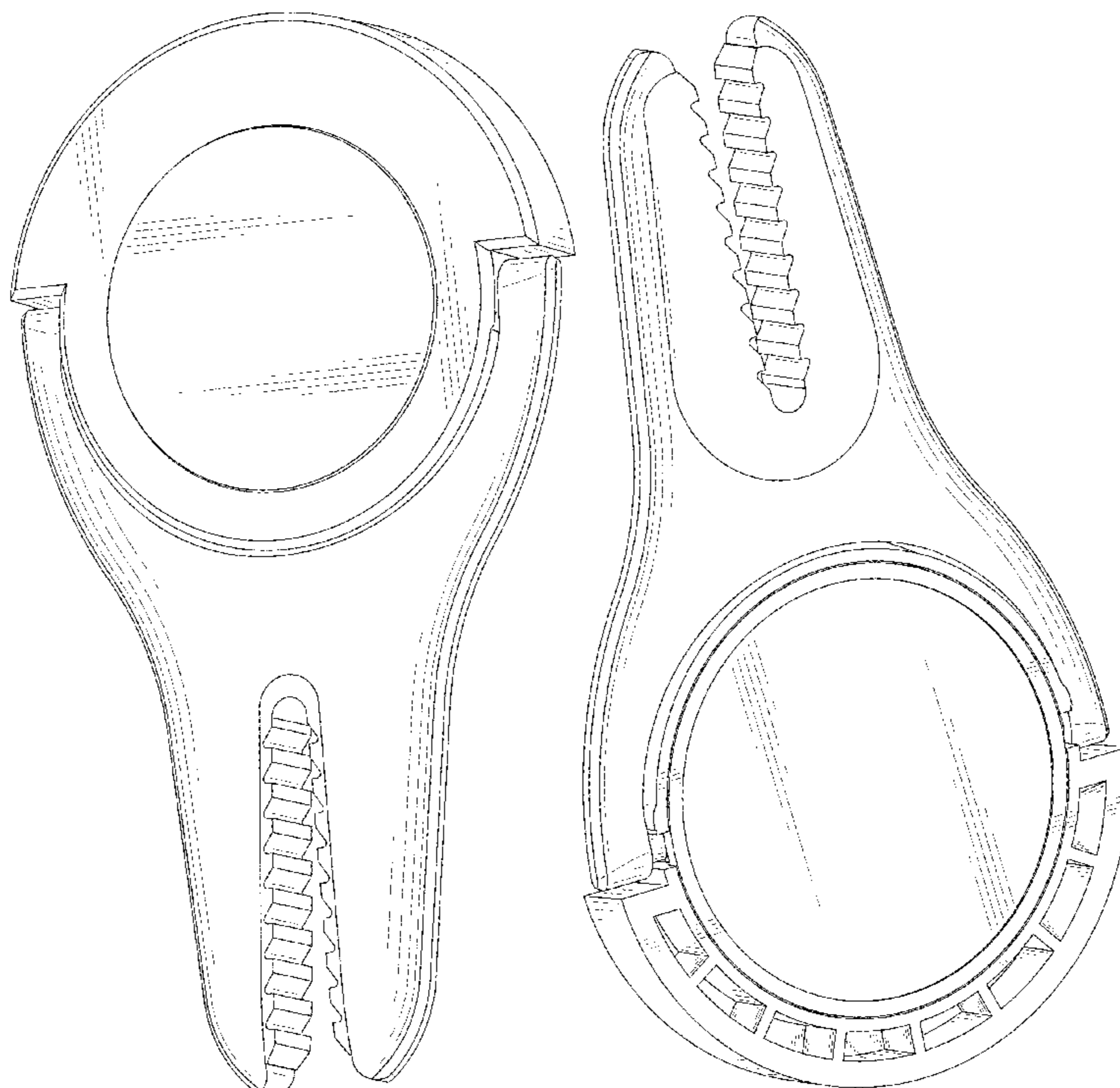
The ornamental design for mobile phone holder for car air outlet, as shown and described.

**DESCRIPTION**

FIG. 1 is a first perspective view of mobile phone holder for car air outlet showing the claimed new design; FIG. 2 is a second perspective view thereof; FIG. 3 is a front elevation view thereof; FIG. 4 is a rear elevation view thereof; FIG. 5 is a left side elevation view thereof; FIG. 6 is a right side elevation view thereof; FIG. 7 is a top plan view thereof; FIG. 8 is a bottom plan view thereof; and, FIG. 9 is an enlarged view of the design features contained within circle 9 of FIG. 8.

The broken lines are for environmental structure, boundaries, or illustrative purposes only and form no part of the claimed designs to be patented.

**1 Claim, 9 Drawing Sheets**



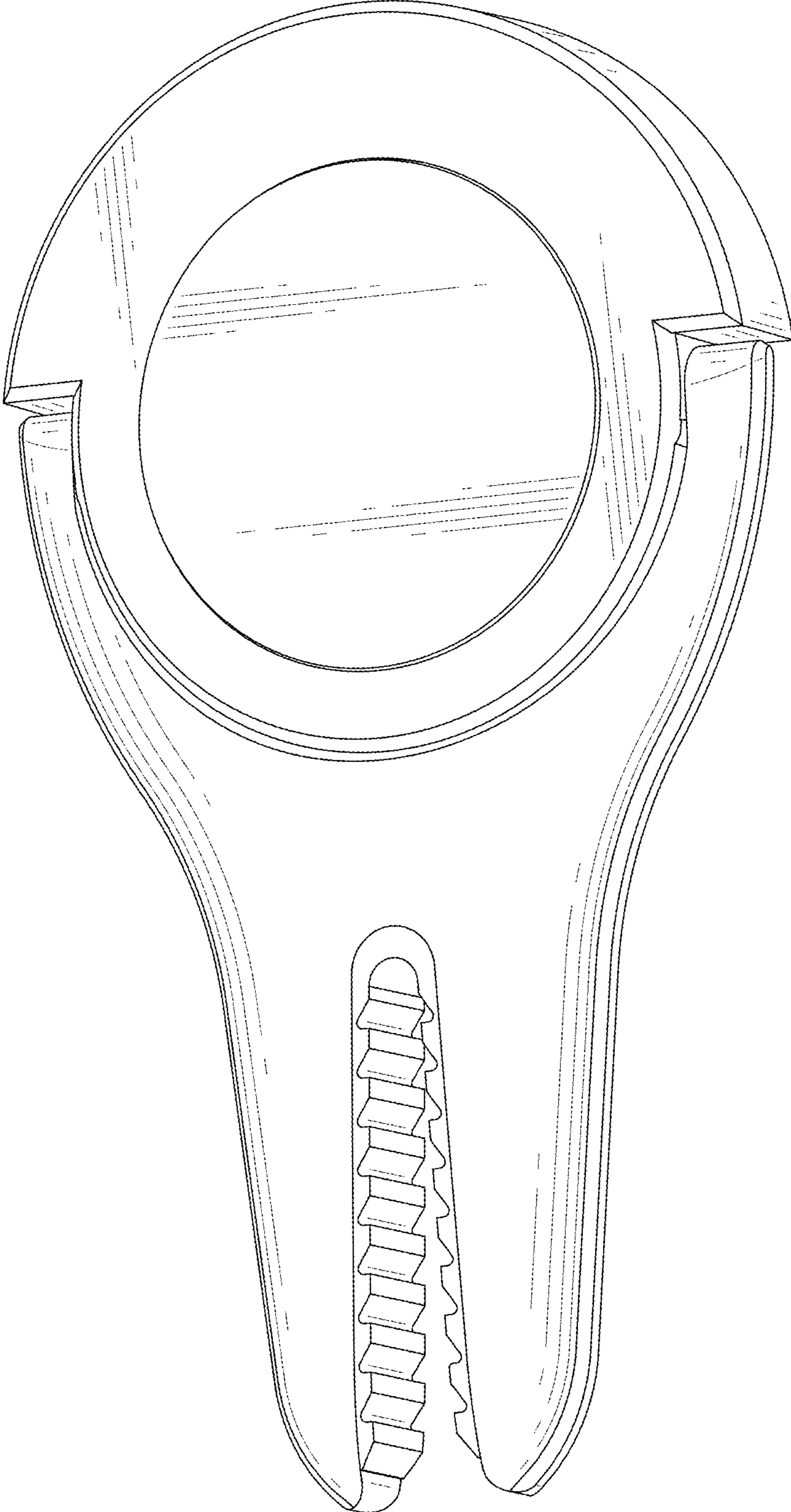


FIG. 1

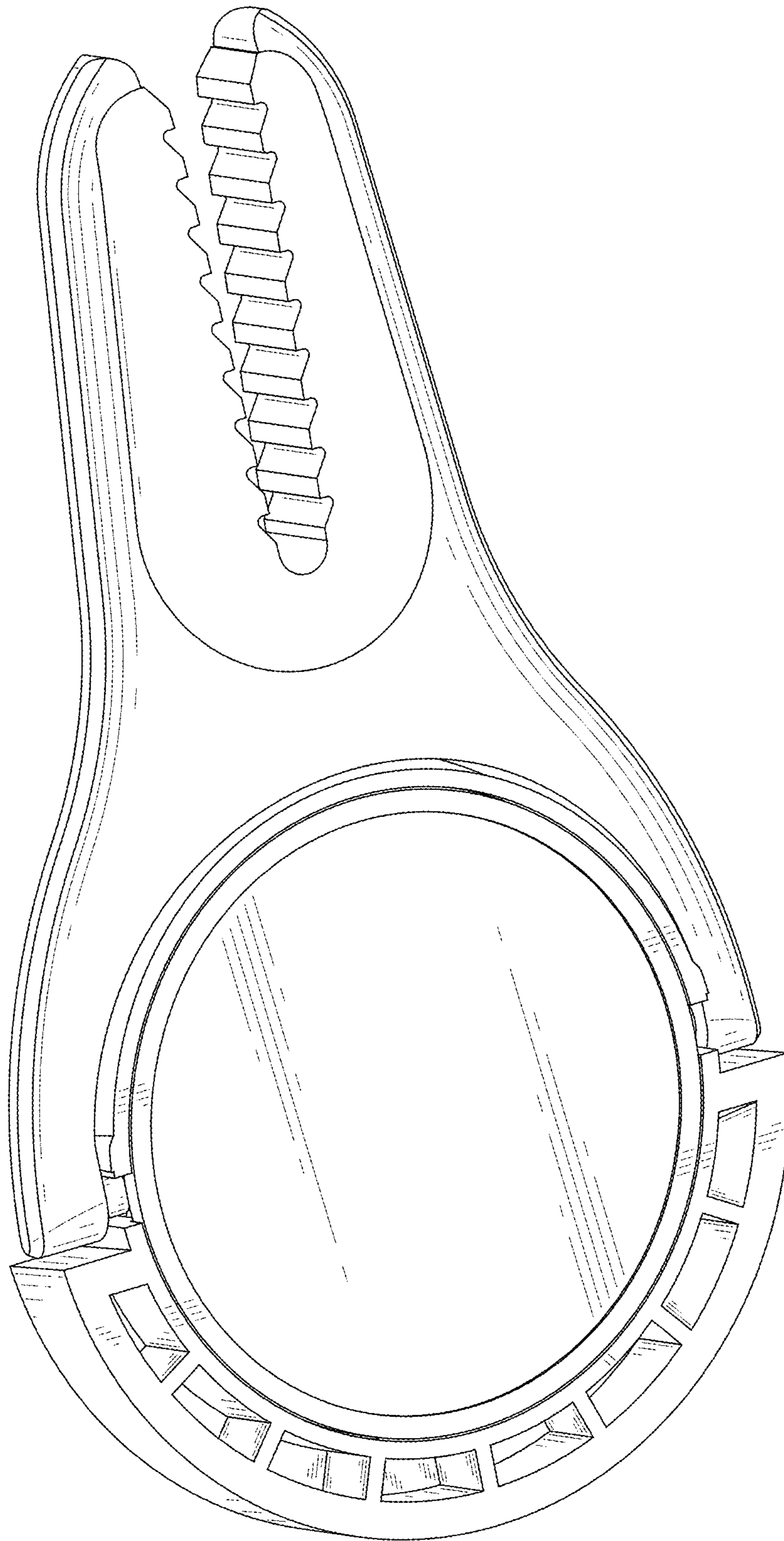


FIG. 2

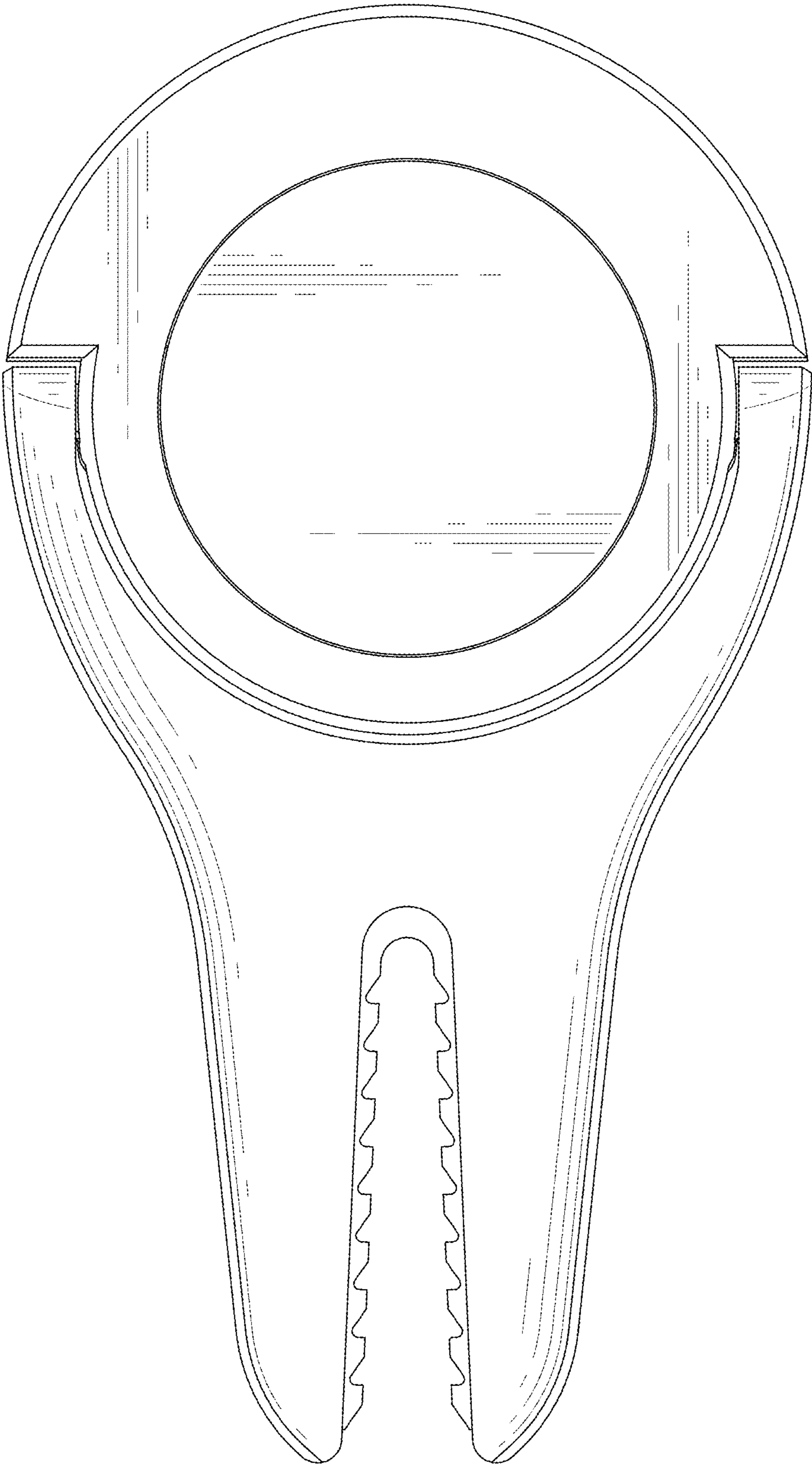


FIG. 3

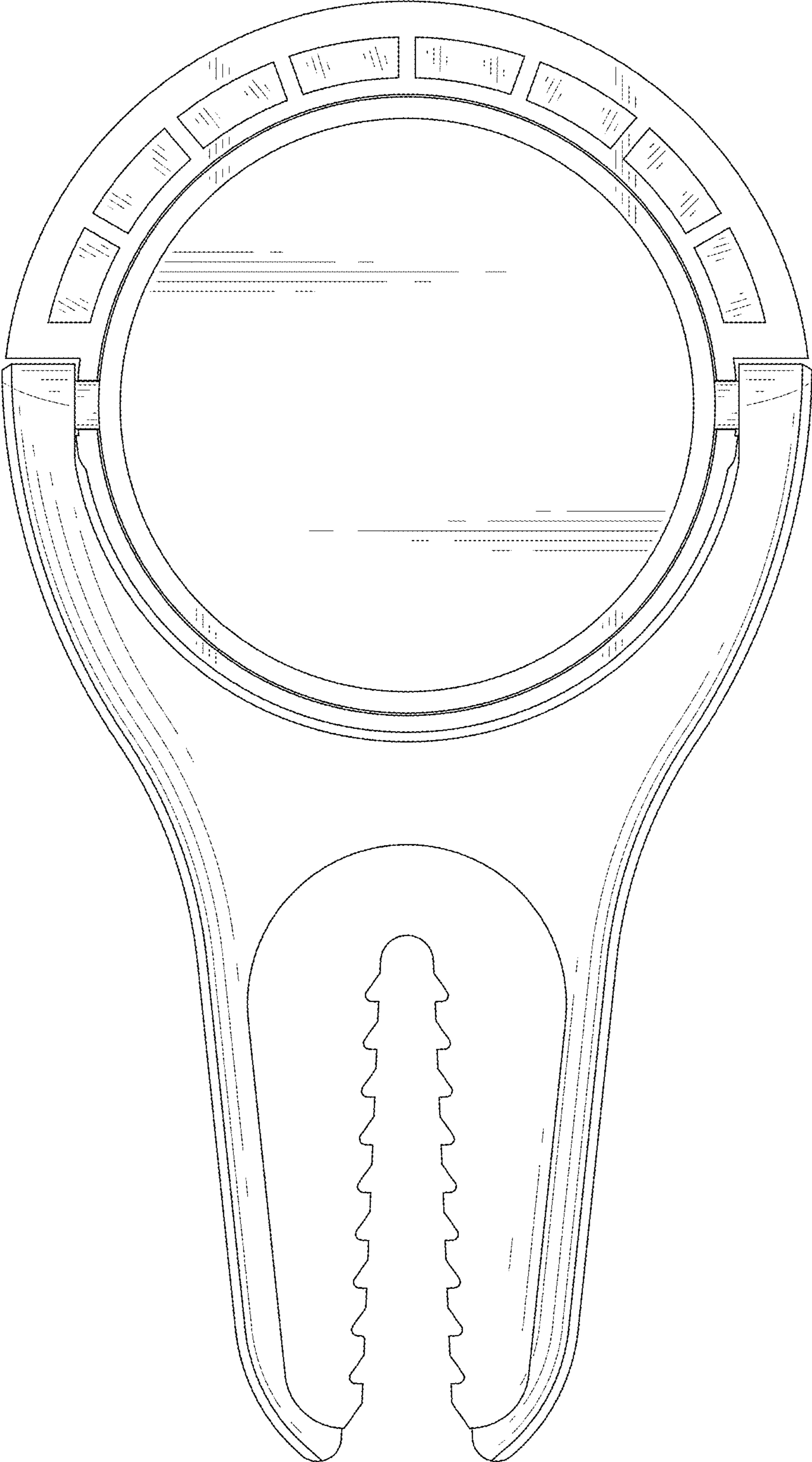


FIG. 4

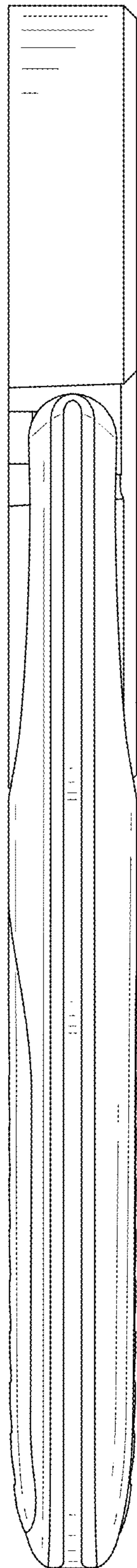


FIG. 5

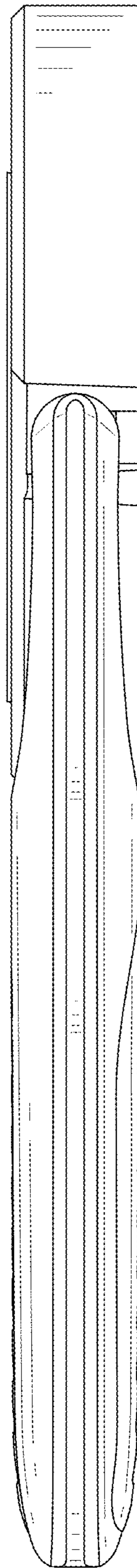


FIG. 6

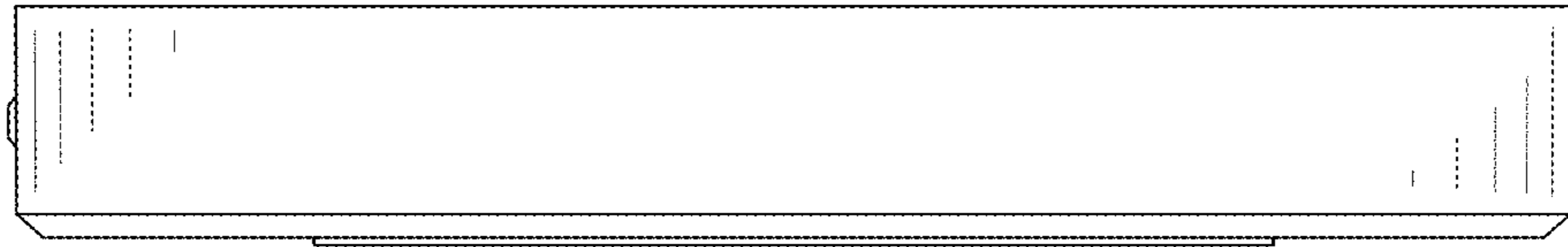


FIG. 7



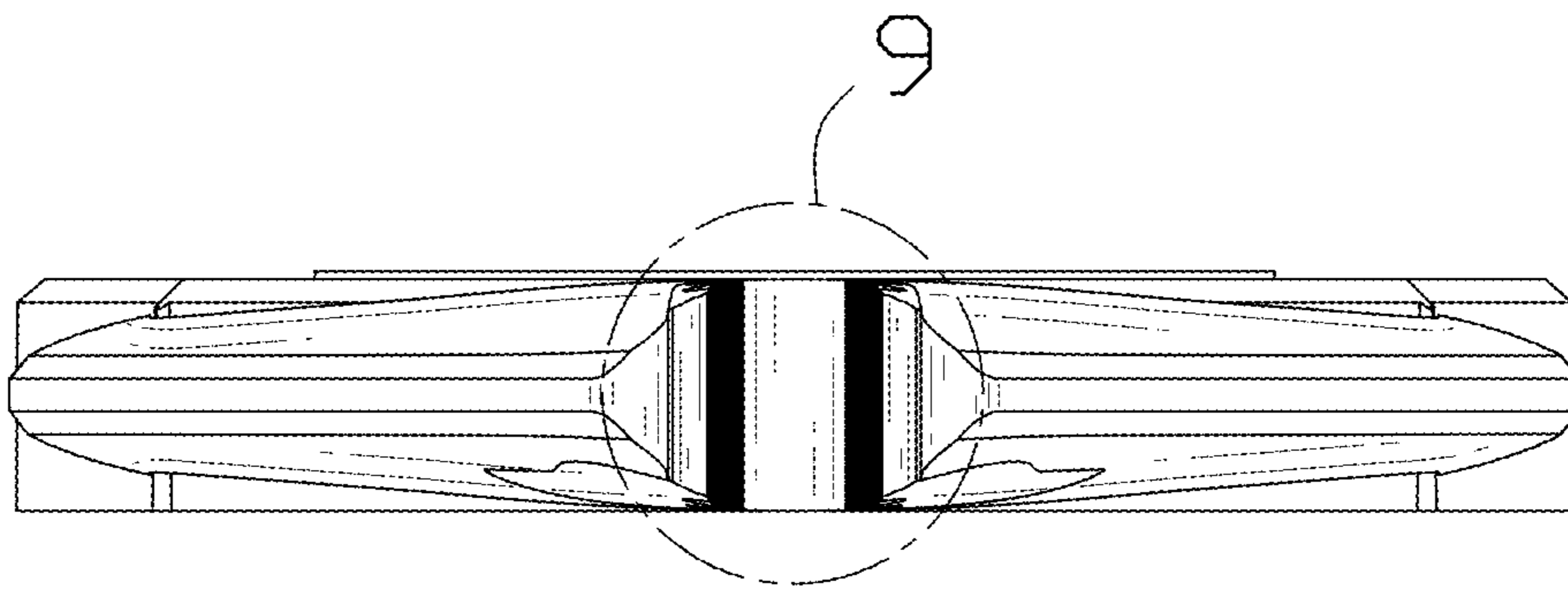


FIG. 8

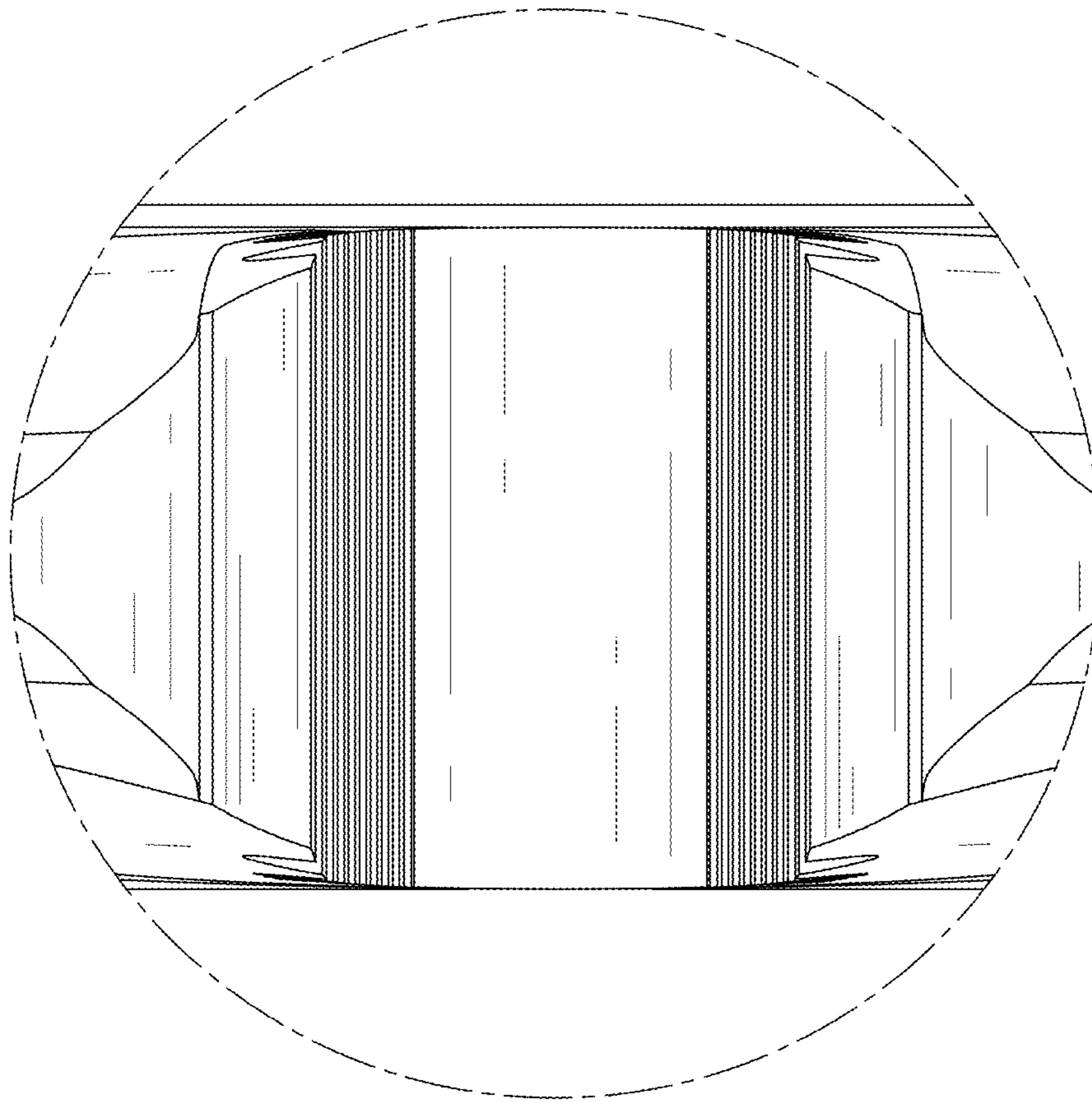


FIG. 9