



US00D873813S

(12) **United States Design Patent**
Zhong

(10) **Patent No.:** **US D873,813 S**
(45) **Date of Patent:** **** Jan. 28, 2020**

(54) **MOBILE PHONE STAND**

(71) Applicant: **Bo Zhong**, Sichuan (CN)

(72) Inventor: **Bo Zhong**, Sichuan (CN)

(**) Term: **15 Years**

(21) Appl. No.: **29/667,795**

(22) Filed: **Oct. 24, 2018**

(51) **LOC (12) Cl.** **14-99**

(52) **U.S. Cl.**

USPC **D14/253**; D12/415

(58) **Field of Classification Search**

USPC D14/250-254, 224, 224.1, 238.1, 434,
D14/447, 451, 452, 483; D12/400,
D12/415-418, 420, 426.1, 114, 223;
D16/242, 245; D10/74; D3/218;
D13/107, 108

CPC B60R 11/00; B60R 11/02; B60R 11/0241;
B60R 11/0252; B60R 2011/0003; B60R
2011/0005; B60R 2011/0008; H04M
1/04; H04B 1/3877; A45F 2200/0516;
A45F 2200/0525; H05K 5/0204; F16M
13/02; F16M 13/022; F16M 11/04; F16M
11/041; F16M 11/14; F16M 11/22; F16B
2/12; H01F 7/0252; G03B 17/561

See application file for complete search history.

(56) **References Cited**

U.S. PATENT DOCUMENTS

D587,188 S * 2/2009 Mo D12/415
D638,008 S * 5/2011 Richter D14/253

D645,462 S * 9/2011 Choi D14/253
D655,282 S * 3/2012 Richter D14/253
D681,029 S * 4/2013 Richter D14/253
D700,175 S * 2/2014 Ohm D14/253
D714,772 S * 10/2014 Rozzo D13/102
D715,790 S * 10/2014 Conomos D14/253
D748,098 S * 1/2016 Khodapanah D14/447
D811,856 S * 3/2018 Richter D8/355
D835,493 S * 12/2018 Chun D8/354
D850,436 S * 6/2019 Vogel D14/253
D852,116 S * 6/2019 Jun D12/415

* cited by examiner

Primary Examiner — Jeffrey D Asch

Assistant Examiner — Rebekah A Caruso

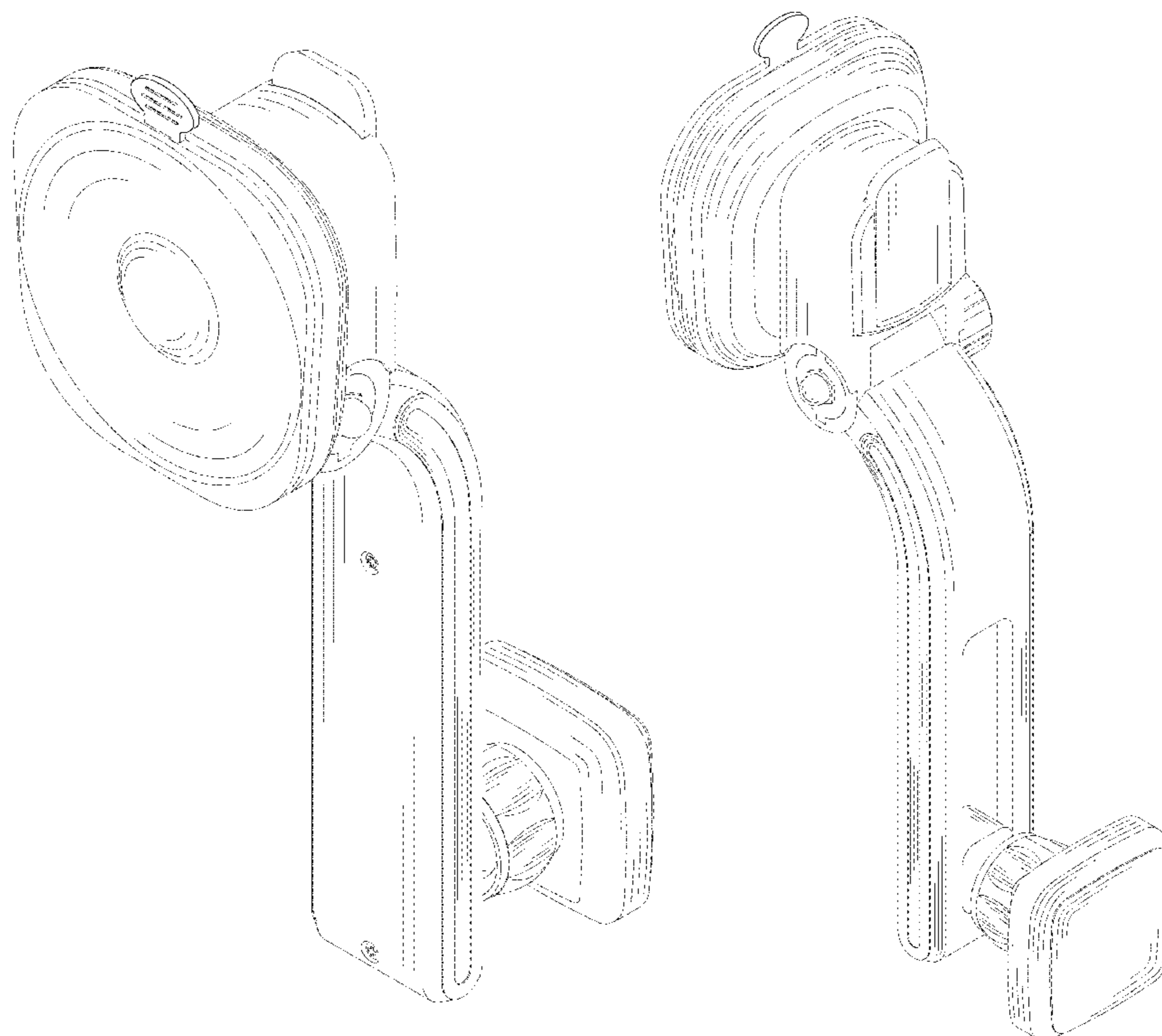
(57) **CLAIM**

The ornamental design for a mobile phone stand, as shown.

DESCRIPTION

FIG. 1 is a front elevational view of a mobile phone stand showing my new design;
FIG. 2 is a rear elevational view thereof;
FIG. 3 is a left side view thereof;
FIG. 4 is a right side view thereof;
FIG. 5 is a top plan view thereof;
FIG. 6 is a bottom plan view thereof;
FIG. 7 is a perspective view thereof; and,
FIG. 8 is another perspective view thereof.

1 Claim, 7 Drawing Sheets



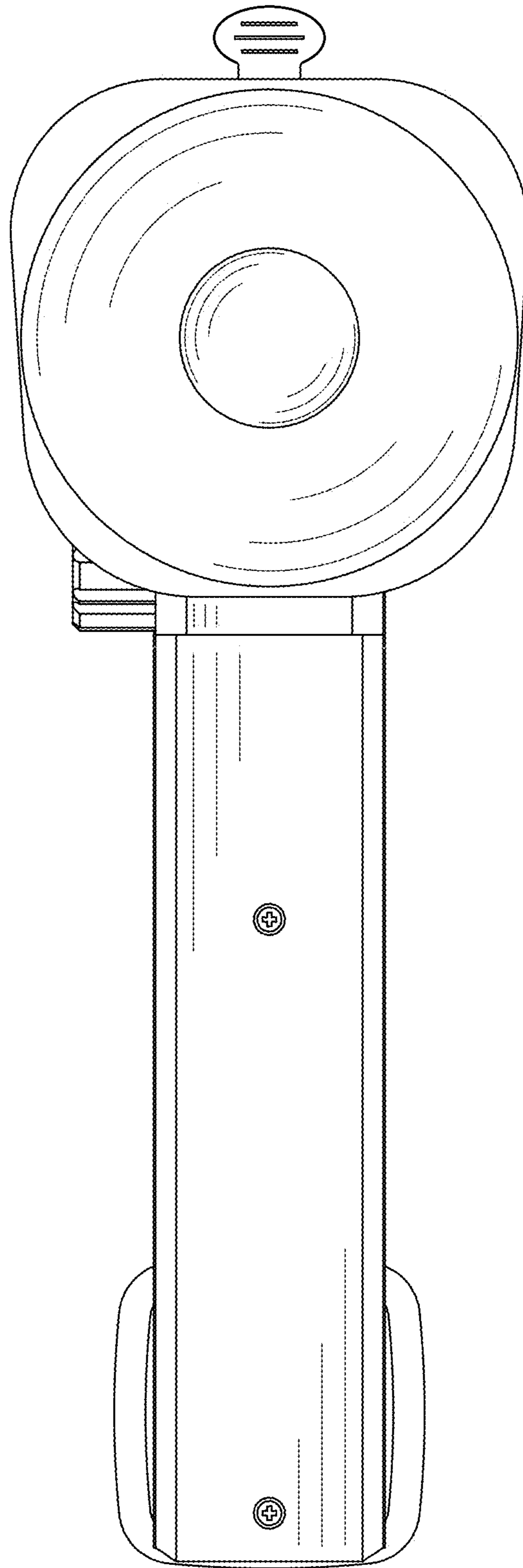


Fig. 1

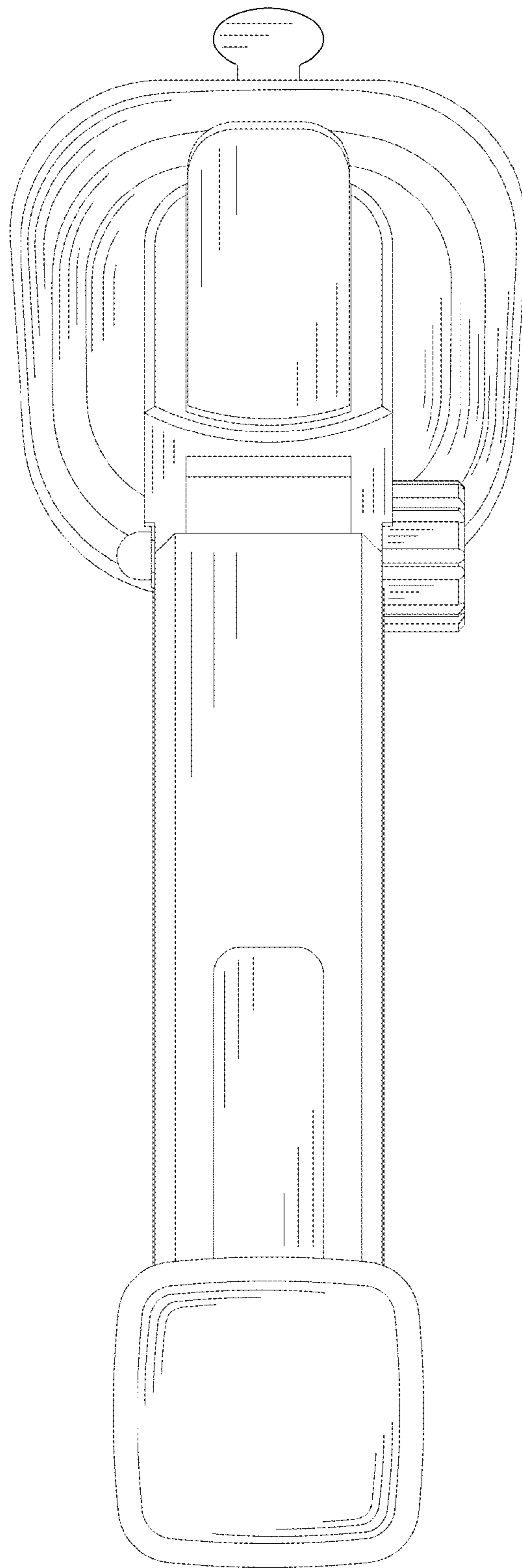


Fig. 2

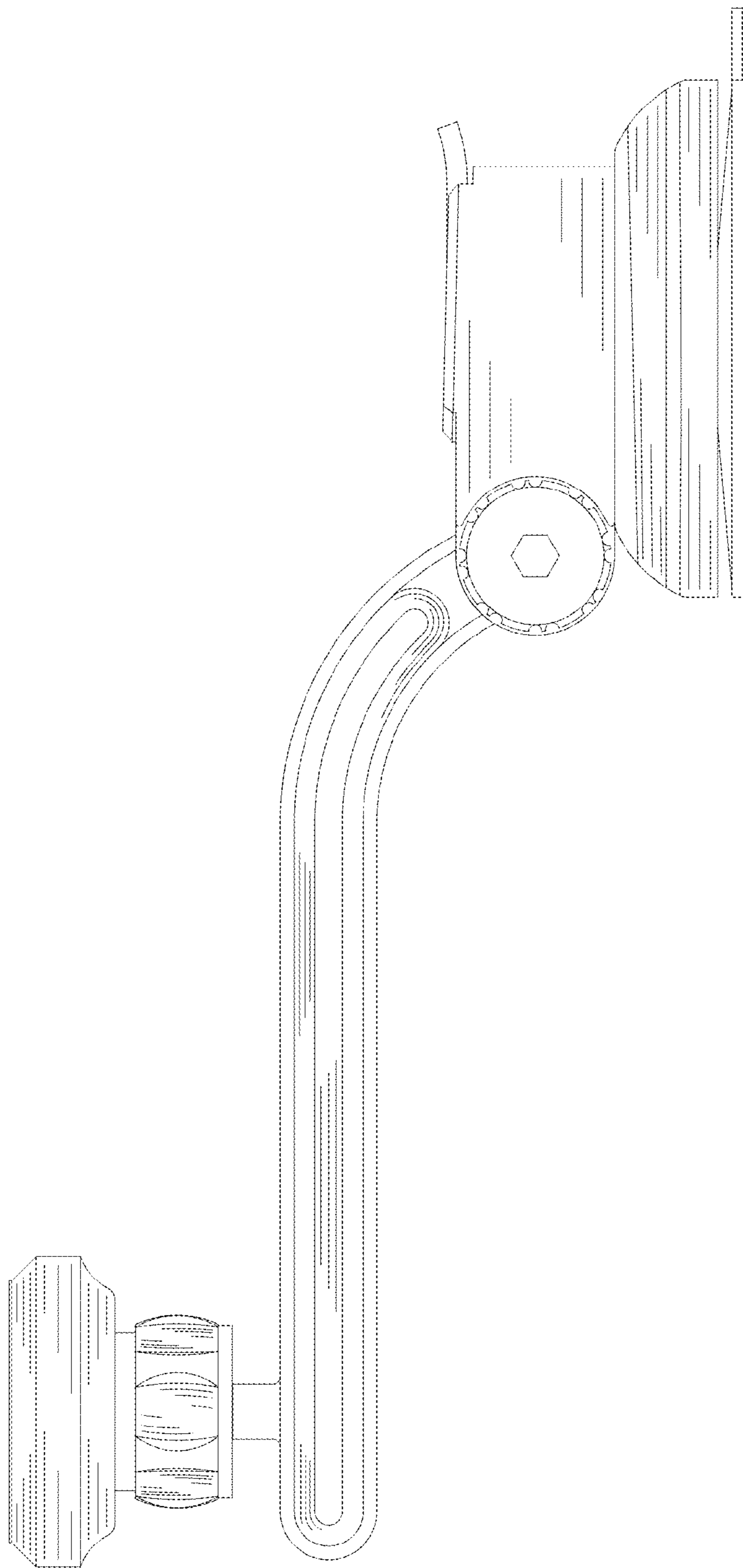


Fig. 3

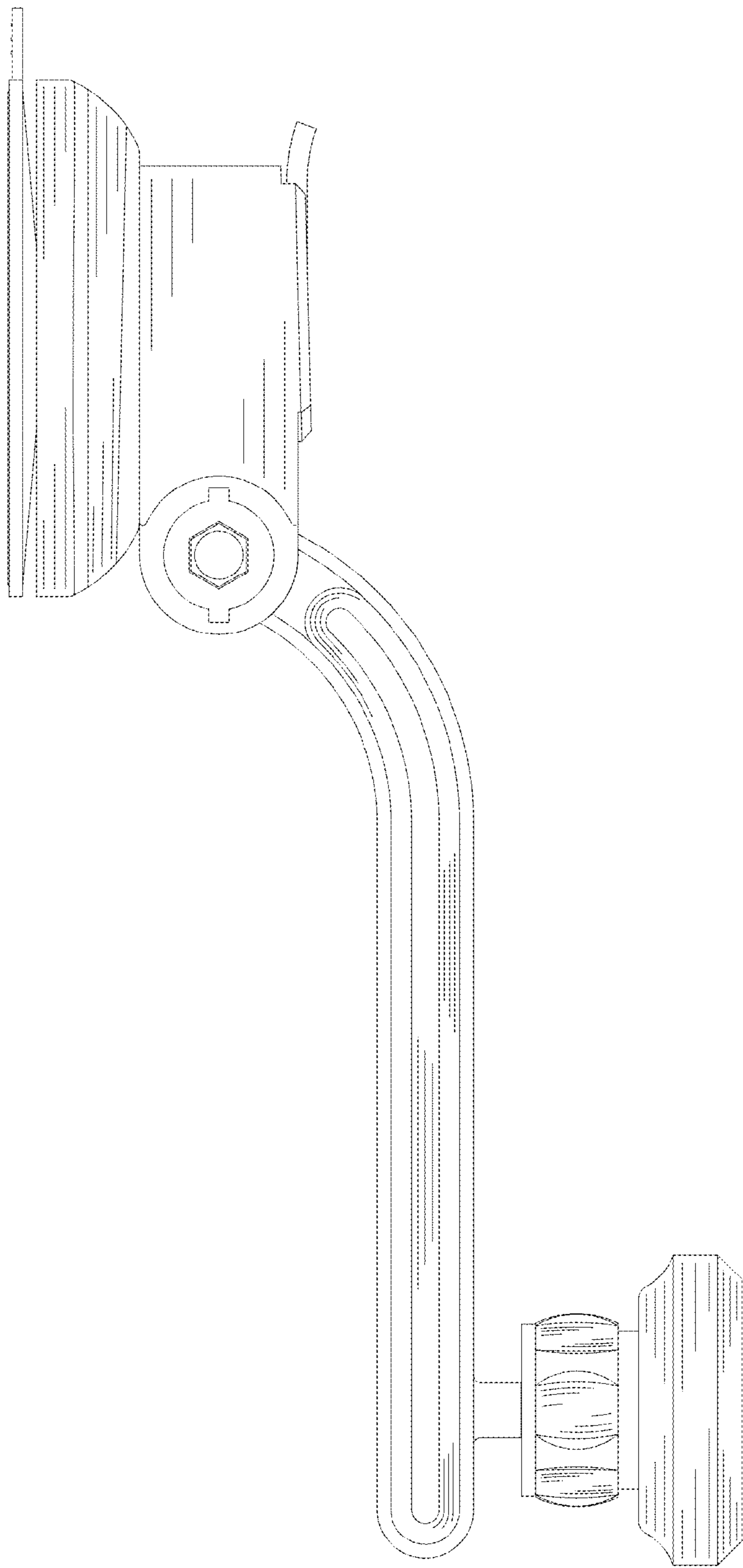


Fig. 4

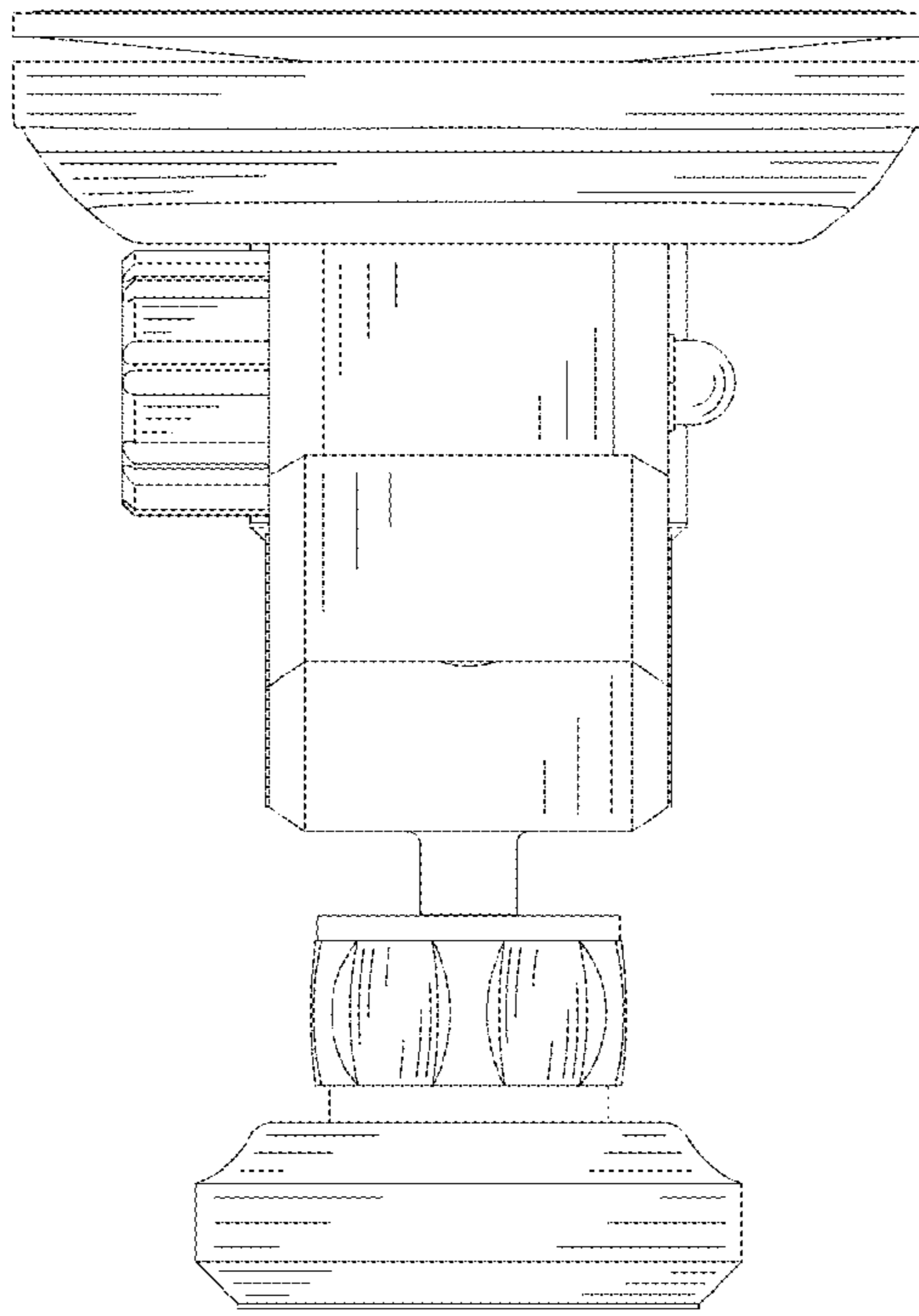


Fig. 6

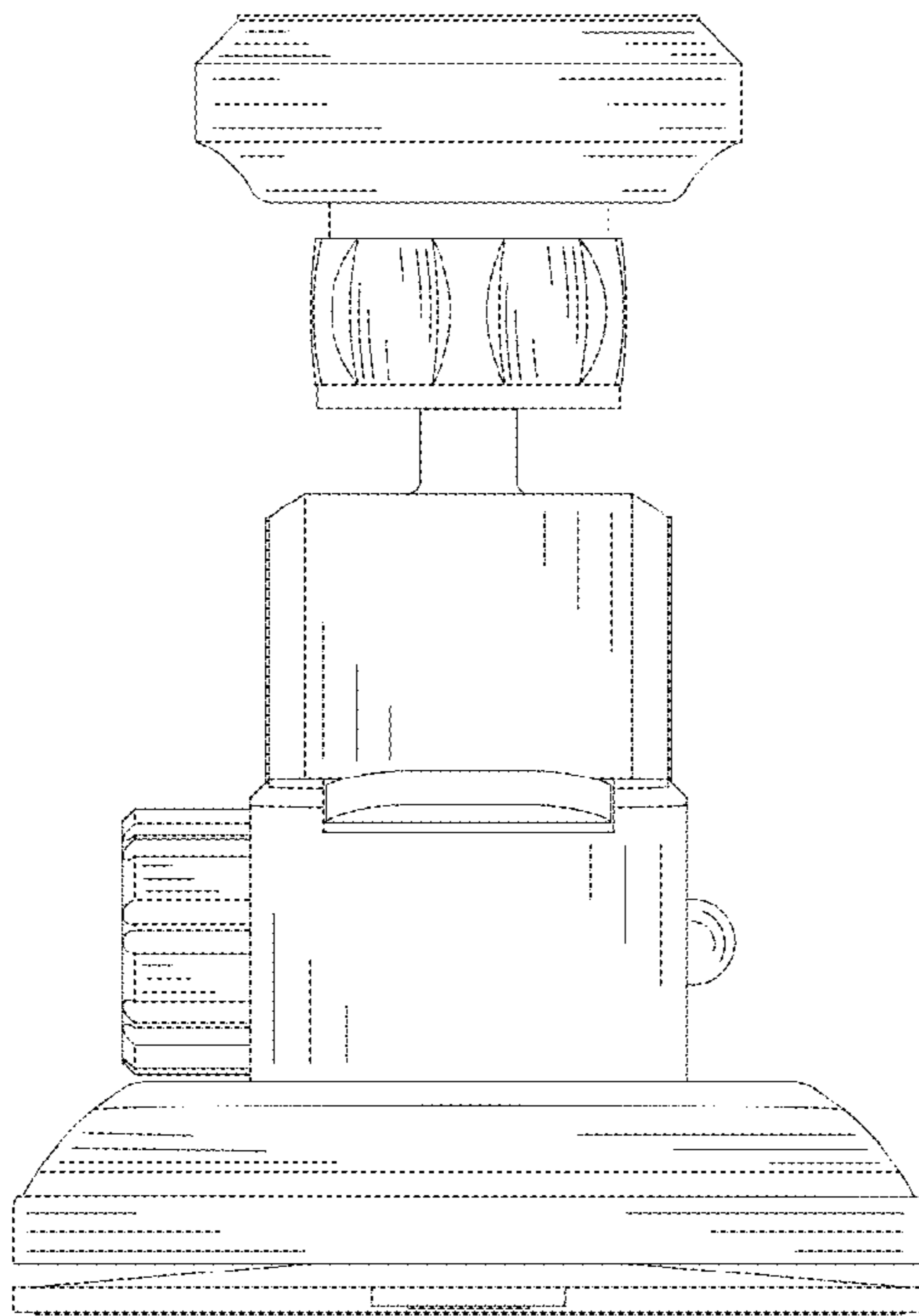


Fig. 5

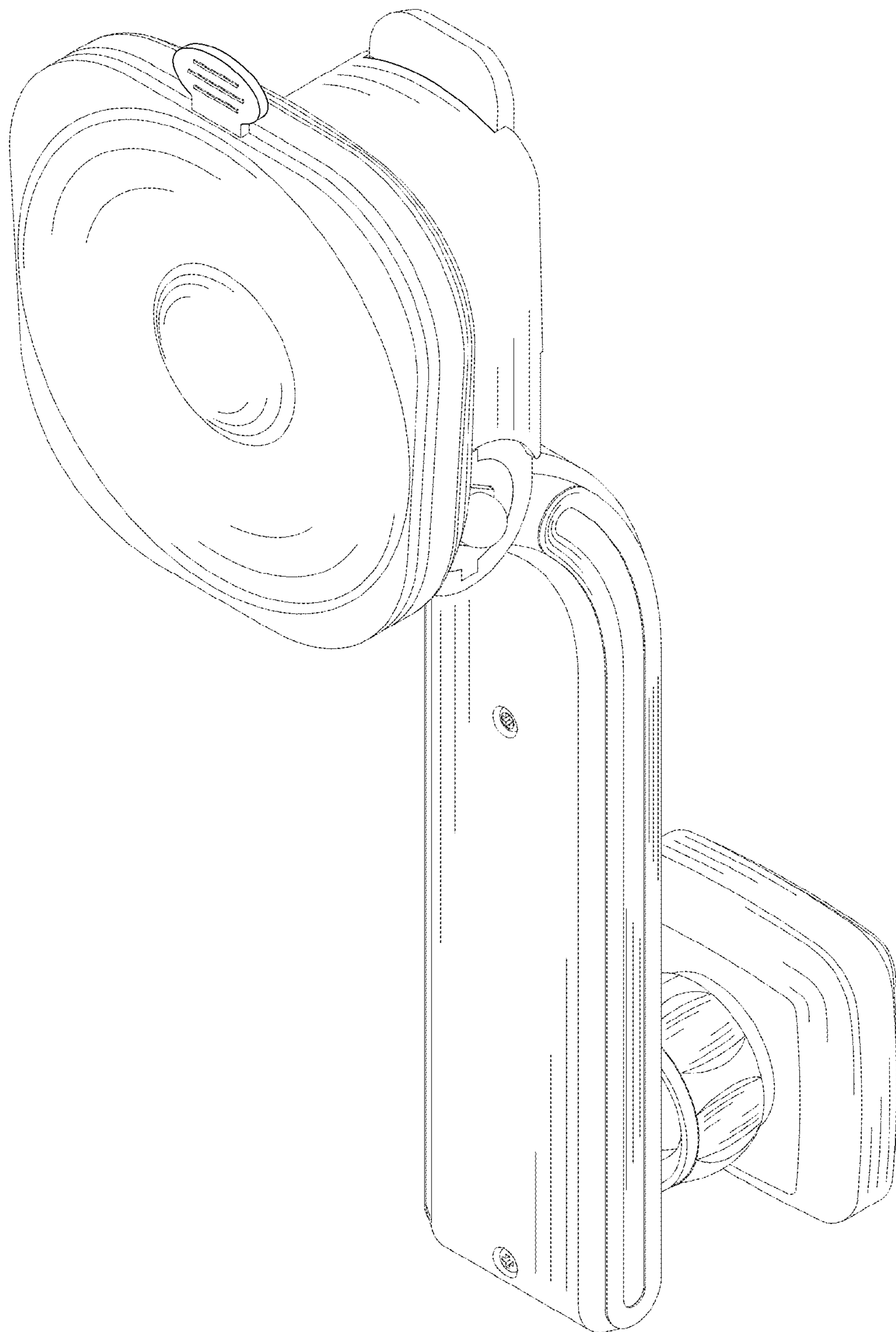


Fig. 7

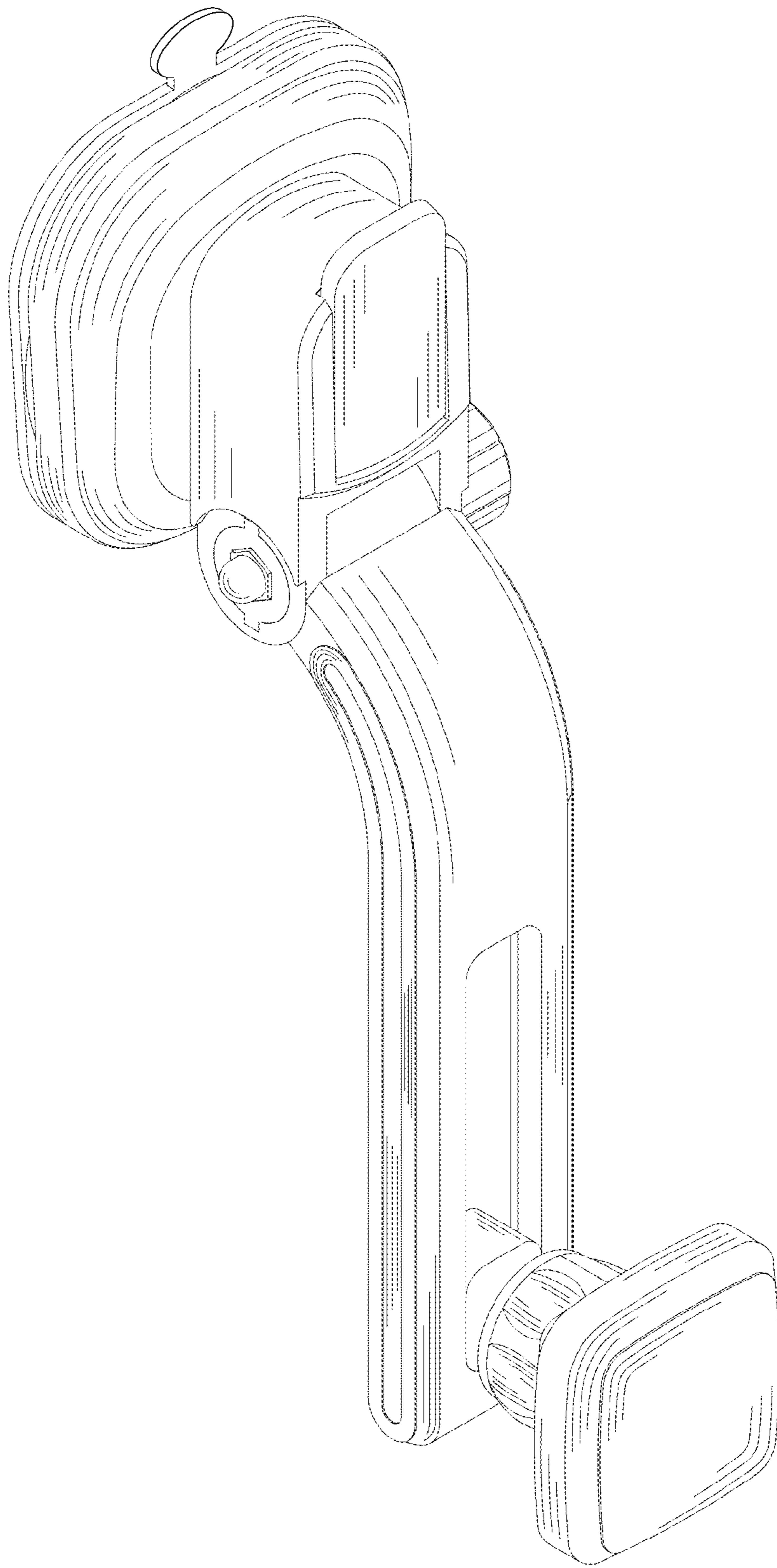


Fig. 8