



US00D873812S

(12) **United States Design Patent** (10) **Patent No.:** **US D873,812 S**
Peters et al. (45) **Date of Patent:** **** Jan. 28, 2020**

(54) **MOUNTING ARM**

5,109,411 A 4/1992 O'Connell
5,197,349 A 3/1993 Herman
5,323,600 A 6/1994 Munshi

(71) Applicant: **ANNEX PRODUCTS PTY. LTD.,**
Pahran (AU)

(Continued)

(72) Inventors: **Christopher Peters,** Pahran (AU);
Craig Stevens, Northcote (AU)

FOREIGN PATENT DOCUMENTS

EP 2925594 10/2015
WO WO 2003/033335 4/2003

(73) Assignee: **ANNEX PRODUCTS PTY. LTD.,**
Pahran (AU)

OTHER PUBLICATIONS

(**) Term: **15 Years**

Quad Lock—Mounts, Annex Products Pty Ltd., accessed on-line at:
www.quadlockcase.com/collections/shop-mounts (available prior to
filing of the present application).

(21) Appl. No.: **29/648,635**

(22) Filed: **May 23, 2018**

Primary Examiner — Jeffrey D Asch
Assistant Examiner — Rebekah A Caruso

(51) **LOC (12) Cl.** **14-99**

(74) *Attorney, Agent, or Firm* — Barnes & Thornburg
LLP

(52) **U.S. Cl.**

USPC **D14/253**; D14/452; D16/245

(58) **Field of Classification Search**

USPC D14/250–254, 217, 224, 224.1, 238.1,
D14/299, 434, 447, 451–452, 483;
D12/400, 415–426, 426.1, 114, 223;
D16/242–245; D10/74; D3/218;
D13/107, 108; D8/349, 363

(57) **CLAIM**

We claim the ornamental design for a mounting arm, as
shown and described.

CPC B60R 11/00; B60R 11/02; B60R 11/0241;
B60R 11/0252; B60R 2011/0003; B60R
2011/0005; B60R 2011/0008; H04M
1/04; H04B 1/3877; A45F 2200/0516;
A45F 2200/0525; H05K 5/0204; F16M
13/02; F16M 13/022; F16M 11/04; F16M
11/041; F16B 2/12; H01F 7/0252; G03B
17/561

DESCRIPTION

FIG. 1 is a front perspective view of a mounting arm in
accordance with our new design;
FIG. 2 is a rear perspective view of the mounting arm of
FIG. 1;
FIG. 3 is a front elevation view of the mounting arm of FIG.
1;
FIG. 4 is a rear elevation view of the mounting arm of FIG.
1;
FIG. 5 is a right-side elevation view of the mounting arm of
FIG. 1;
FIG. 6 is a left-side elevation view of the mounting arm of
FIG. 1;
FIG. 7 is a top plan view of the mounting arm of FIG. 1; and,
FIG. 8 is a bottom plan view of the mounting arm of FIG.
1.

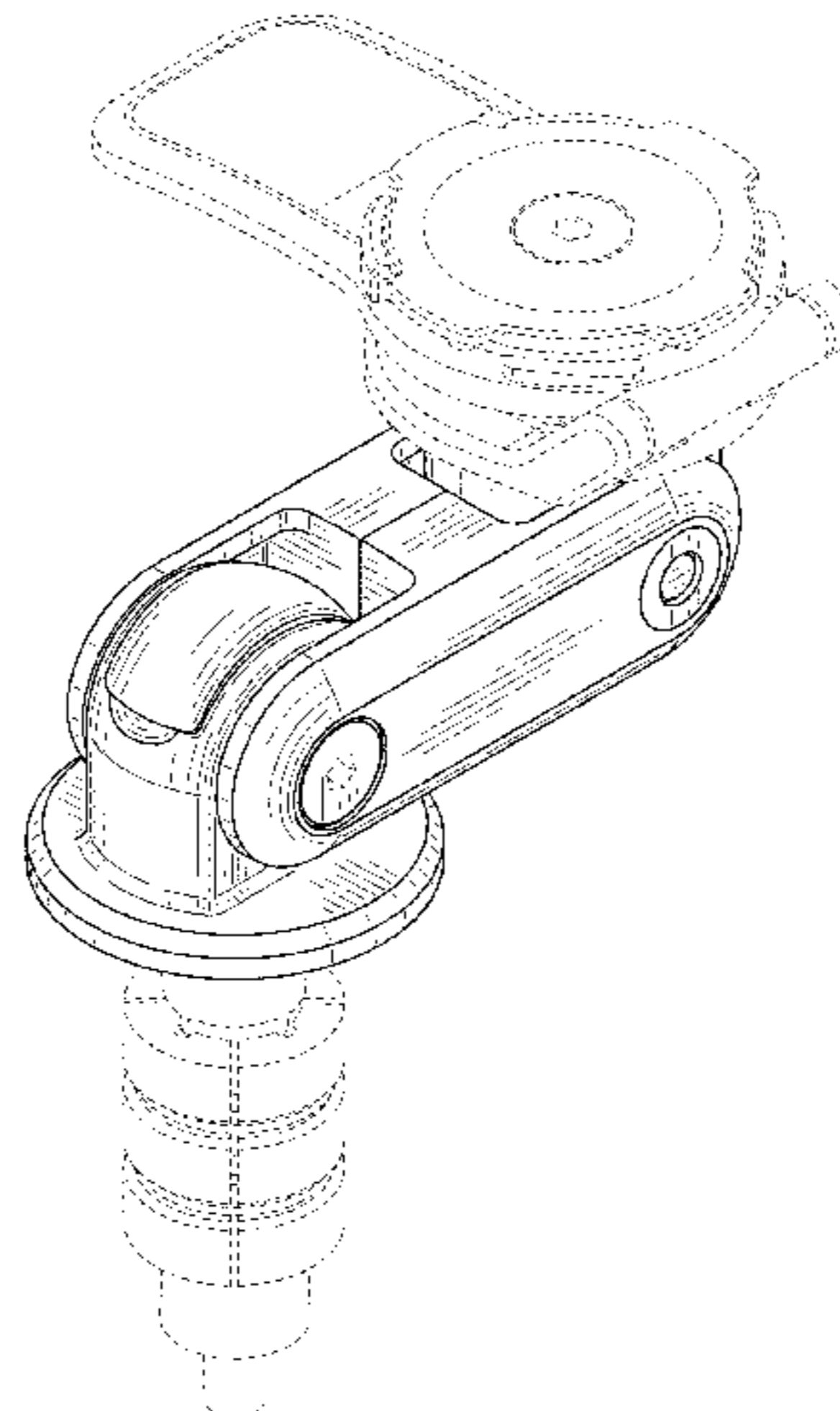
See application file for complete search history.

(56) **References Cited**

U.S. PATENT DOCUMENTS

719,426 A 2/1903 Boone
2,661,649 A 12/1953 Skinner
3,312,138 A 4/1967 Cumming
4,274,301 A 6/1981 Katayama
4,798,273 A 1/1989 Ward, II

(Continued)



The broken lines depict portions of the mounting arm that form no part of the claimed design.

1 Claim, 8 Drawing Sheets

(56)

References Cited

U.S. PATENT DOCUMENTS

5,423,566	A	6/1995	Warrington et al.	
5,429,381	A	7/1995	Mercat et al.	
5,661,942	A	9/1997	Palmer	
5,752,711	A	5/1998	Moreau	
5,845,885	A	12/1998	Carnevali	
6,234,042	B1	5/2001	An	
6,234,506	B1	5/2001	Li	
6,244,131	B1	6/2001	Liao	
6,378,815	B1	4/2002	Lee	
6,561,400	B2	5/2003	Lee	
6,920,806	B2	7/2005	Cutsforth	
D537,323	S *	2/2007	Saez	D14/452
D608,771	S *	1/2010	Hsu	D14/239
8,020,828	B2	9/2011	Carnevali	
8,261,954	B2	9/2012	Lee	
8,267,418	B1	9/2012	Chuang	

8,602,277	B2 *	12/2013	Lee	B60R 11/0258 224/282
8,613,379	B2 *	12/2013	Lee	B62J 11/00 224/282
8,627,990	B2	1/2014	Nakajima et al.	
8,641,714	B2	2/2014	Steiner et al.	
8,708,205	B2	4/2014	Wotton	
D740,830	S *	10/2015	Chu	D14/452
9,243,739	B2	1/2016	Peters	
D805,085	S *	12/2017	Xiang	D14/452
D818,421	S *	5/2018	Hu	D12/415
D842,306	S *	3/2019	Lindo	D14/452
D845,963	S *	4/2019	Lindo	D14/452
D846,543	S *	4/2019	Chen	D14/251
D847,823	S *	5/2019	Monsalve	D14/452
D852,681	S *	7/2019	Peters	D12/114
2002/0113185	A1	8/2002	Ziegler	
2005/0284991	A1 *	12/2005	Saez	F16M 11/14 248/122.1
2007/0040084	A1 *	2/2007	Sturman	F16M 11/105 248/280.11
2011/0147546	A1 *	6/2011	Monsalve	F16M 11/041 248/122.1
2011/0260017	A1 *	10/2011	Monsalve	F16M 11/2014 248/201
2015/0158545	A1	6/2015	Lanz	
2019/0009850	A1 *	1/2019	Peters	B62J 11/00
2019/0230205	A1 *	7/2019	Lee	H04M 1/04

* cited by examiner

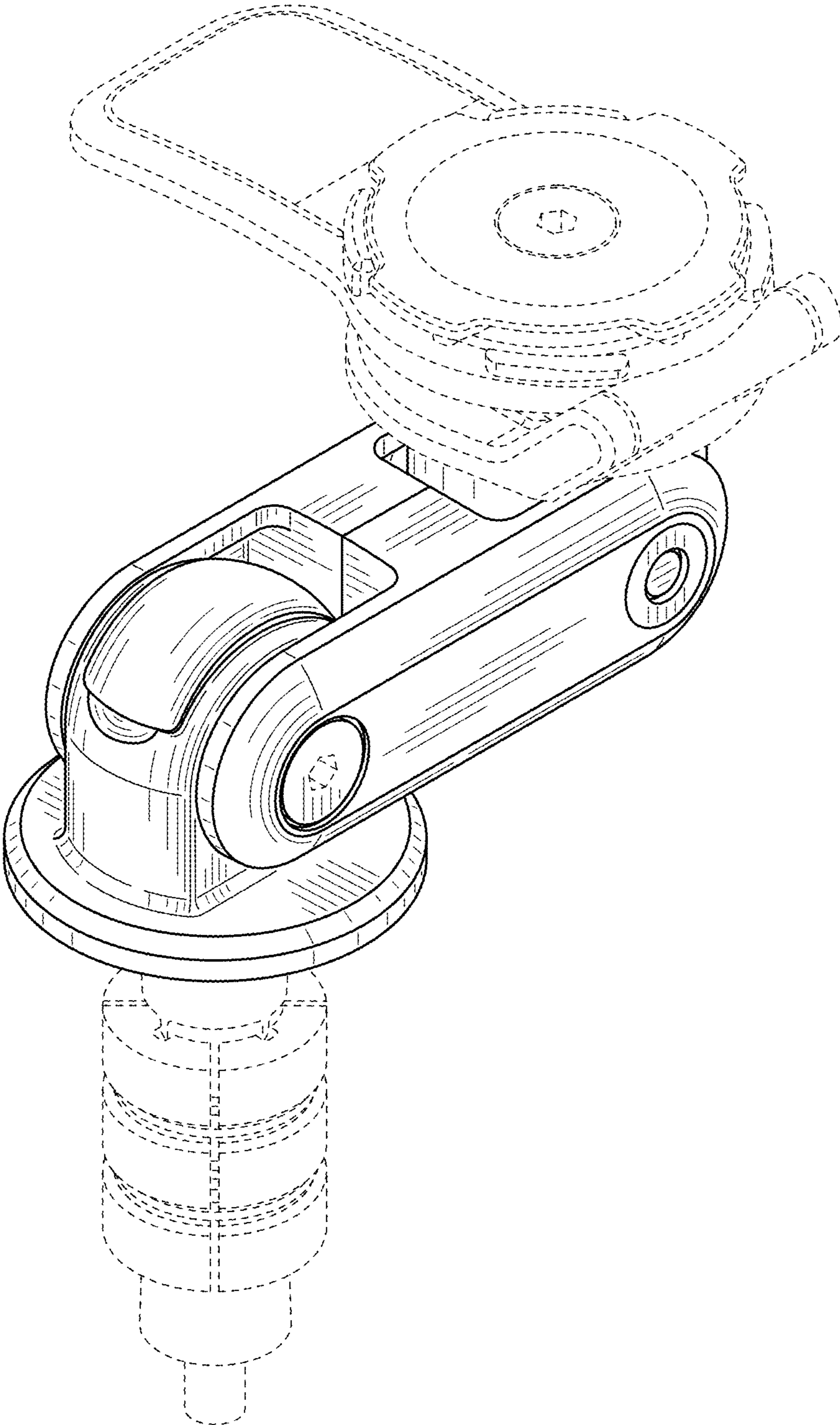


FIG. 1

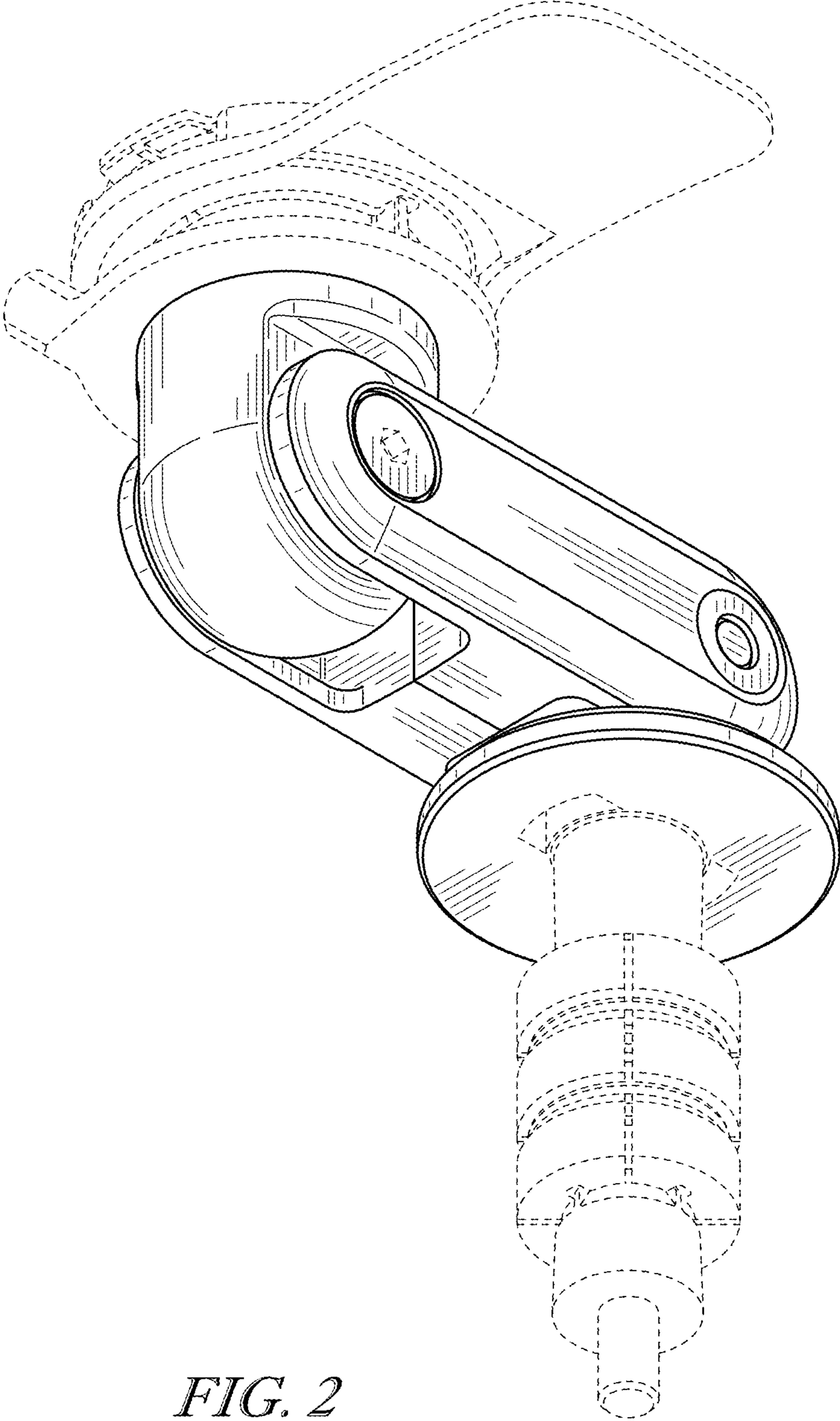


FIG. 2

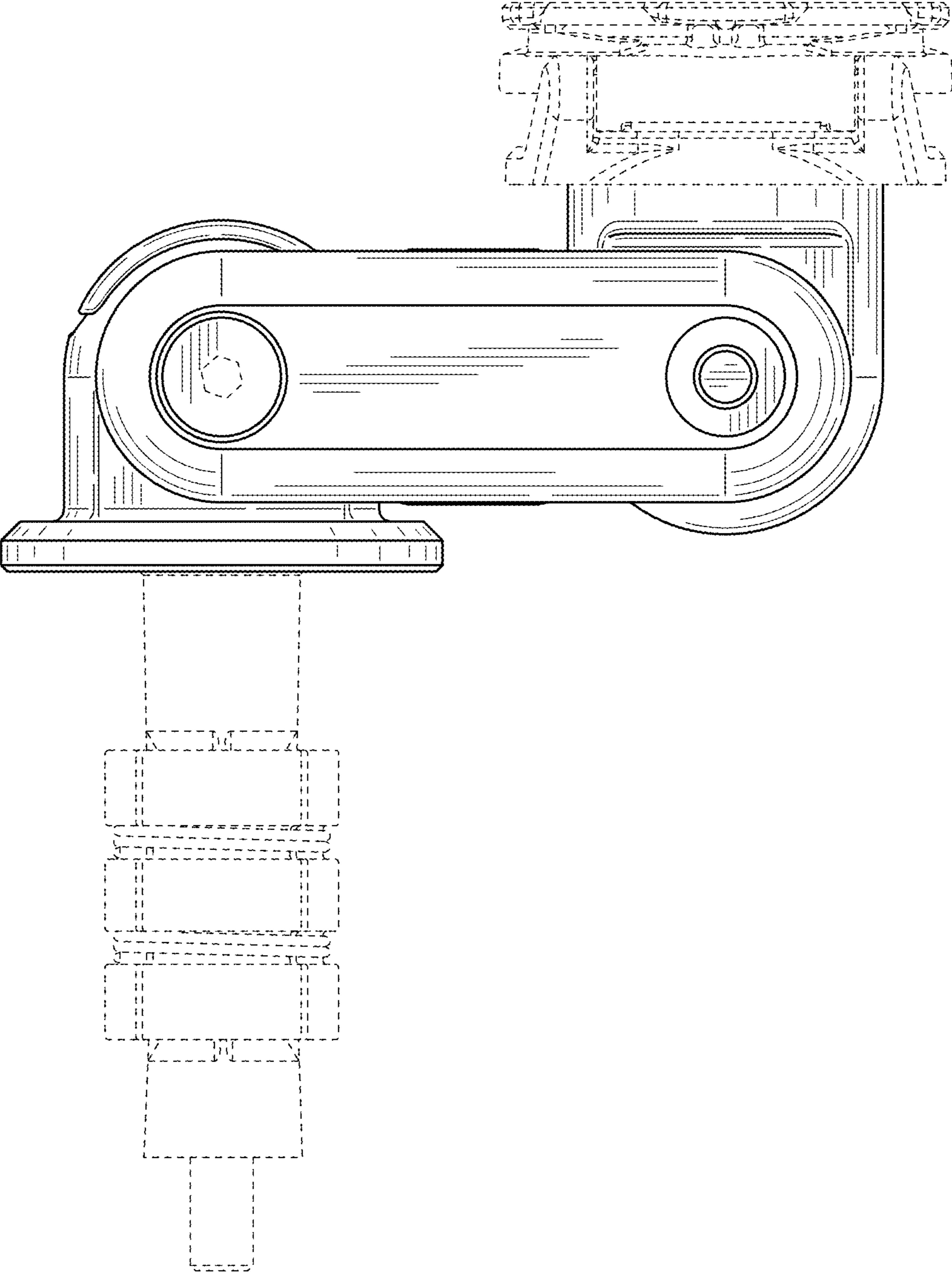


FIG. 3

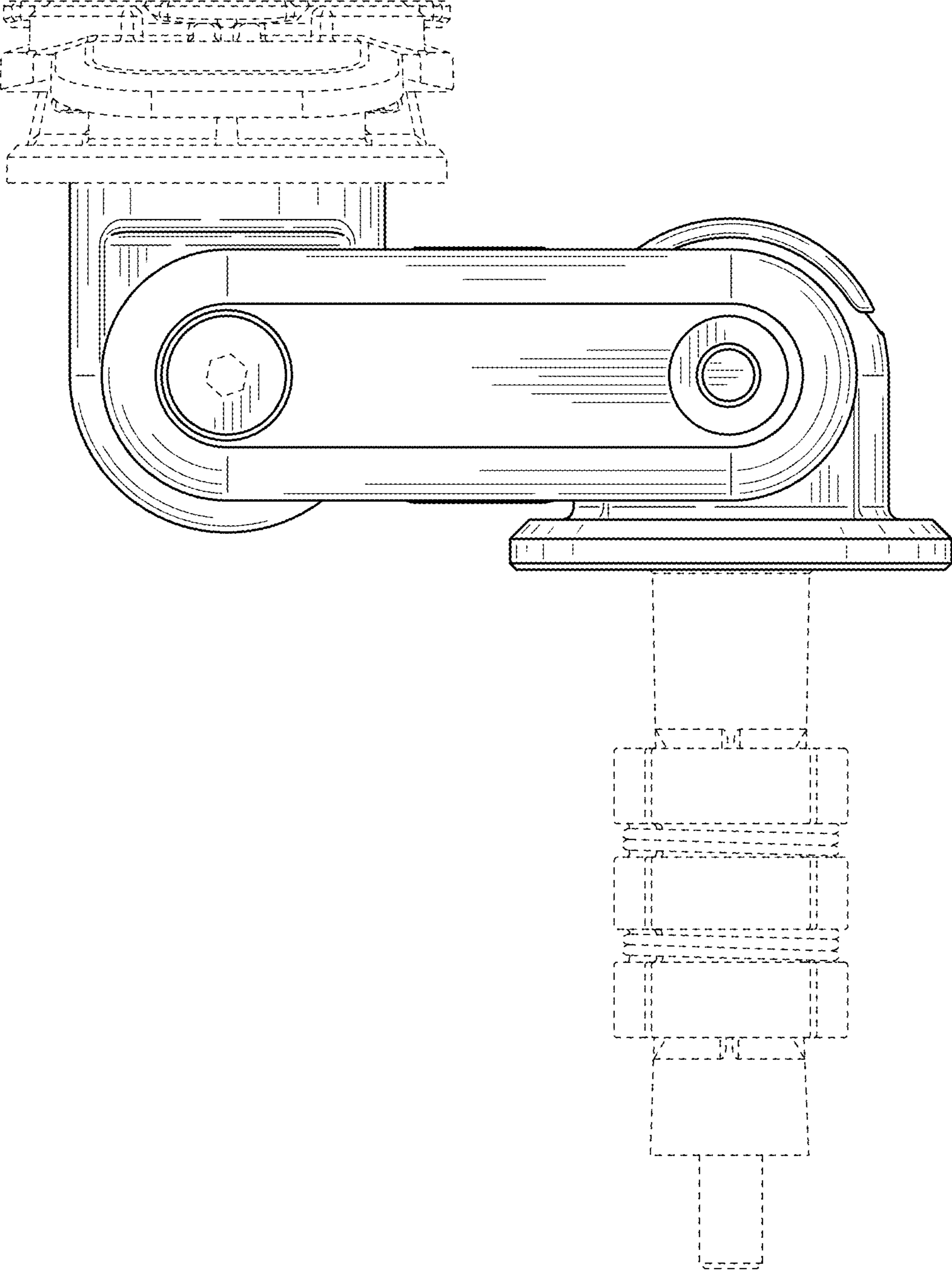


FIG. 4

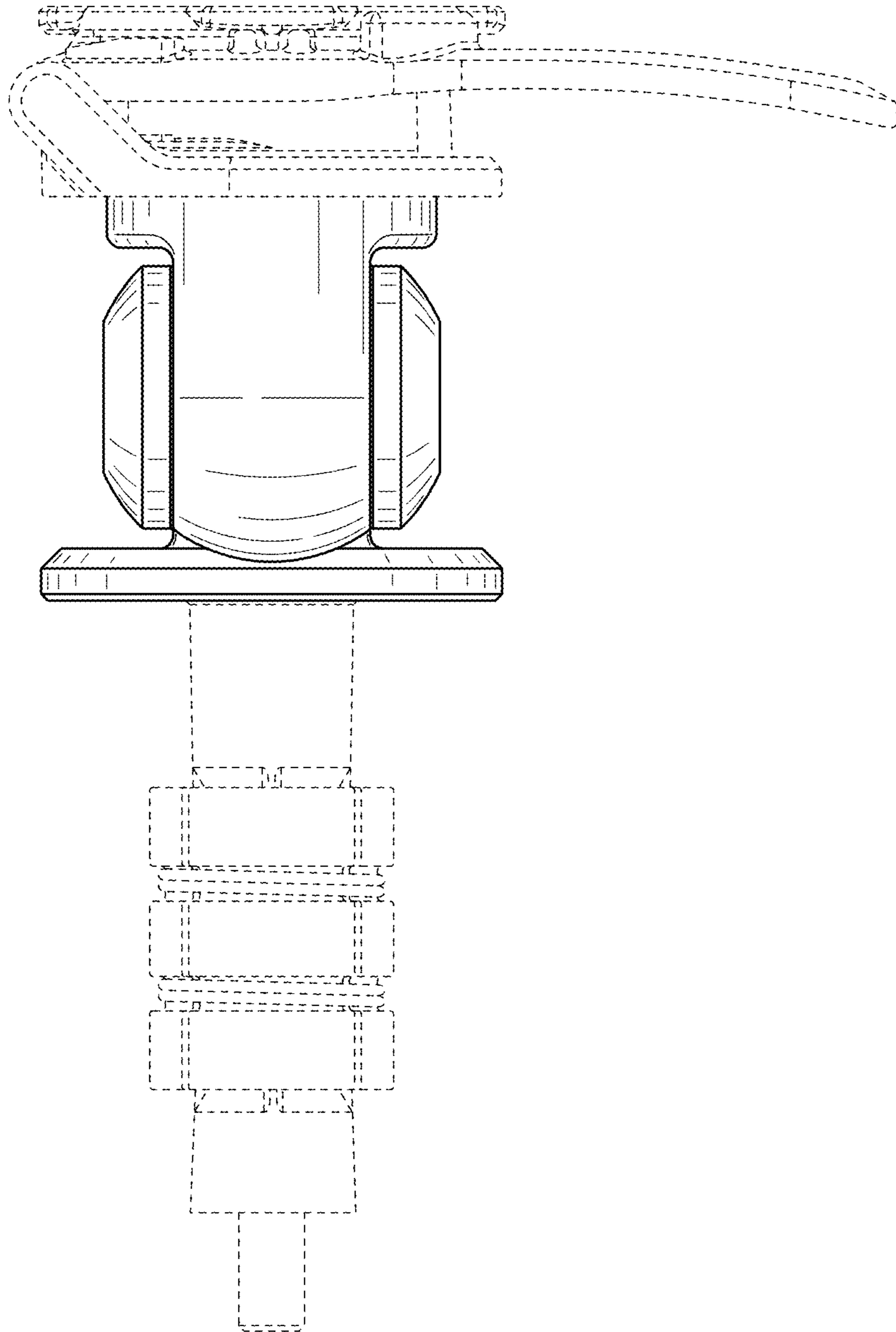


FIG. 5

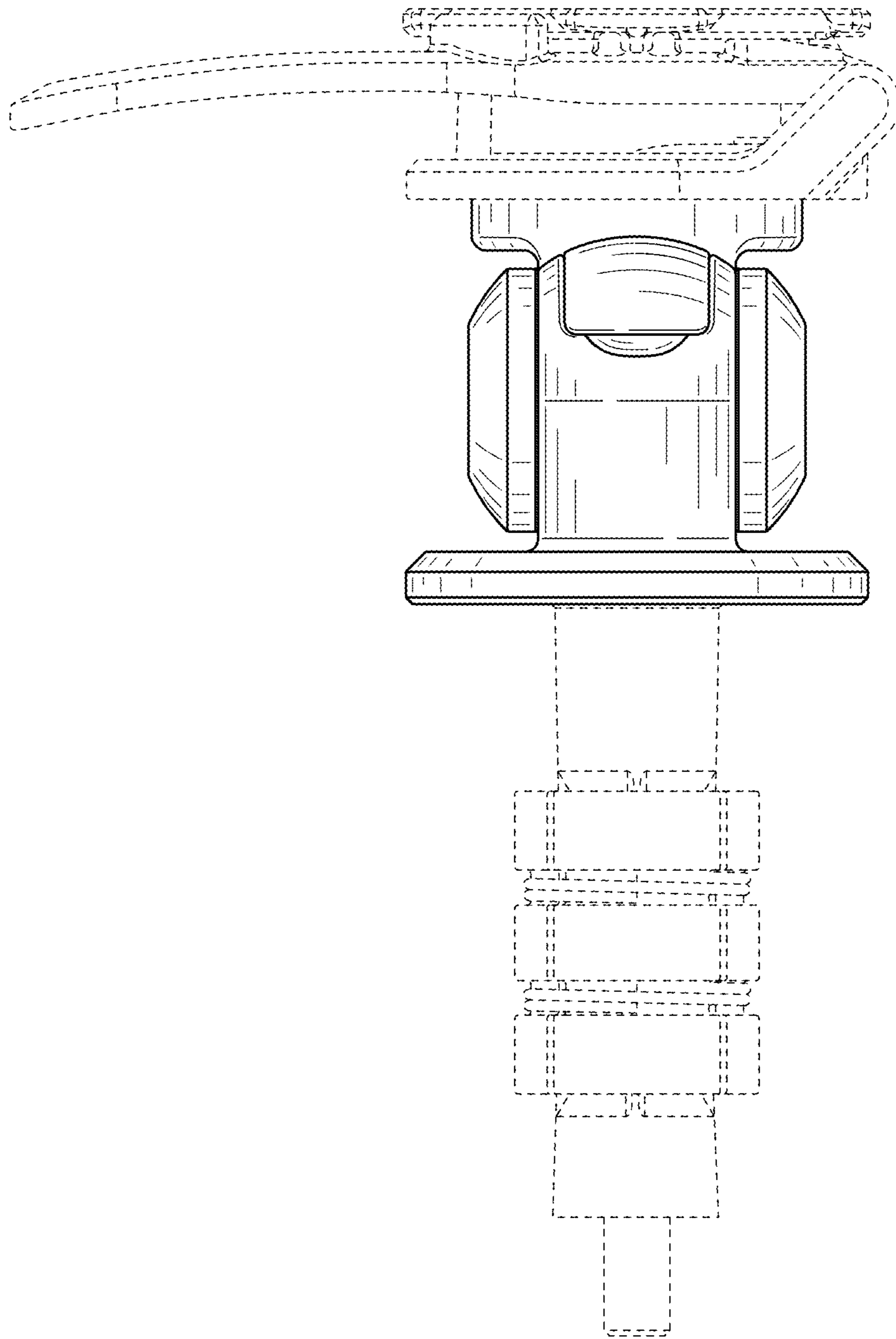


FIG. 6

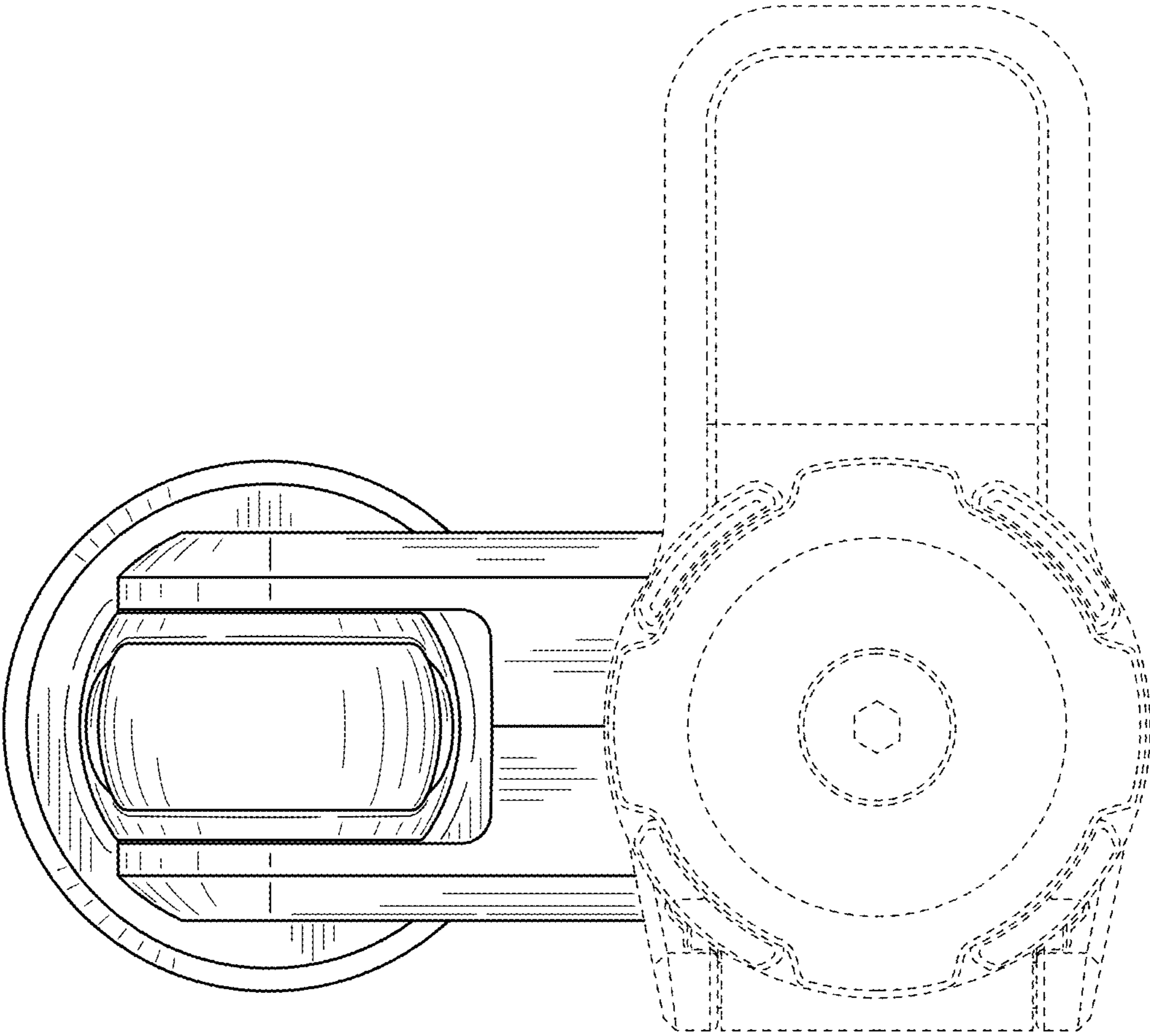


FIG. 7

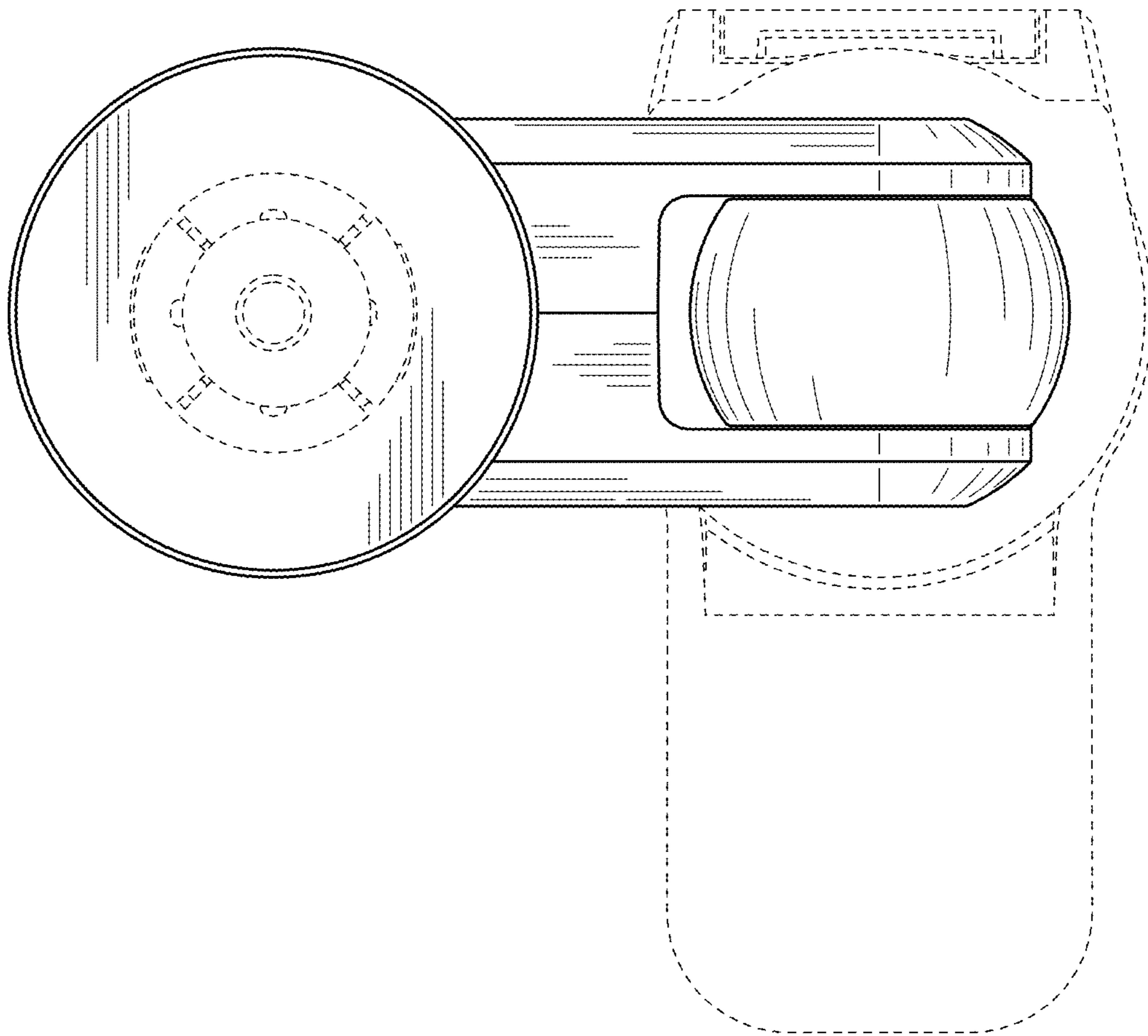


FIG. 8