



US00D873807S

(12) **United States Design Patent** (10) **Patent No.:** **US D873,807 S**  
**Bould et al.** (45) **Date of Patent:** **\*\* Jan. 28, 2020**

(54) **AUTOMATION GATEWAY**

*Primary Examiner* — Marie D. Fast Horse

(71) Applicant: **Hunter Douglas, Inc.**, Pearl River, NY (US)

(57) **CLAIM**

The ornamental design for an automation gateway, as shown and described.

(72) Inventors: **Fred Bould**, Menlo Park, CA (US);  
**Jeremy Wolf**, Broomfield, CO (US)

(73) Assignee: **HUNTER DOUGLAS INC.**, Pearl River, NY (US)

**DESCRIPTION**

(\*\*) Term: **15 Years**

FIG. 1 is a top, front, right side perspective view of an automation gateway showing our new design with features illustrated in broken lines for illustrative purposes and thus not constituting a part of the claimed design;

(21) Appl. No.: **29/680,797**

FIG. 2 is a right side, top, front perspective view of the automation gateway of FIG. 1;

(22) Filed: **Feb. 20, 2019**

**Related U.S. Application Data**

FIG. 3 is a back, top, right side elevational view of the automation gateway of FIG. 1;

(62) Division of application No. 29/593,097, filed on Feb. 6, 2017, now Pat. No. Des. 844,593.

FIG. 4 is a back, right side, top elevational view of the automation gateway of FIG. 1;

(51) **LOC (12) Cl.** ..... **14-03**

FIG. 5 is a bottom, front, right side perspective view of the automation gateway of FIG. 1;

(52) **U.S. Cl.**  
USPC ..... **D14/240; D14/358**

FIG. 6 is a right side elevational view of the automation gateway of FIG. 1;

(58) **Field of Classification Search**  
USPC ..... D14/356, 357, 358, 361, 362, 365, 367, D14/370, 388, 432, 434, 203.1, 203.6,  
(Continued)

FIG. 7 is a left side elevational view of the automation gateway of FIG. 1;

(56) **References Cited**

FIG. 8 is a front elevational view of the automation gateway of FIG. 1;

**U.S. PATENT DOCUMENTS**

D391,943 S 3/1998 Han  
D449,301 S 10/2001 Stephens et al.  
(Continued)

FIG. 9 is a back elevational view of the automation gateway of FIG. 1;

**OTHER PUBLICATIONS**

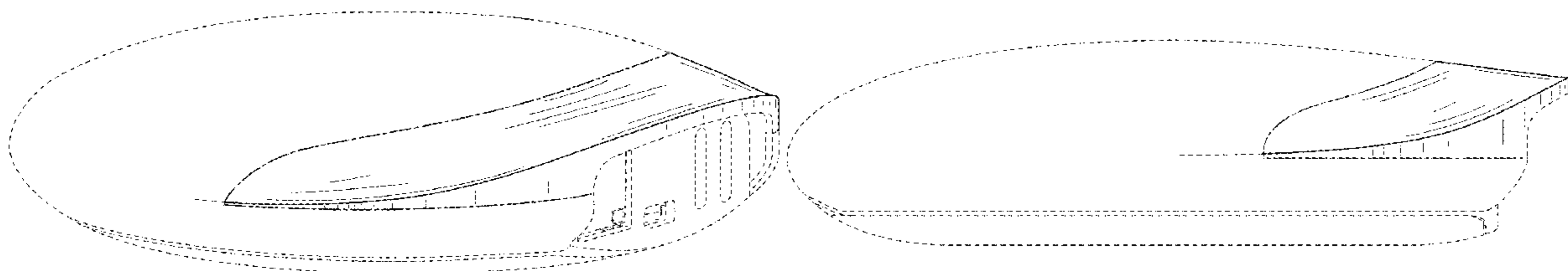
PowerView Hub Guide. closetworks.com. (online PDF) 9 pgs. Dated Aug. 17, 2017. [Retrieved on Sep. 19, 2019] <https://www.closetworks.com/pdf/PowerView-Hub-Instruction-Guide.pdf>.\*  
(Continued)

FIG. 10 is a top plan view of the automation gateway of FIG. 1; and,

FIG. 11 is a bottom plan view of the automation gateway of FIG. 1.

The dash-dot broken lines immediately adjacent to the shaded surfaces define the boundary of the claim, which extends to the boundary but does not include the boundary; while all other broken lines in the drawings depict portions of the automation gateway that form no part of the claimed design.

**1 Claim, 9 Drawing Sheets**



(58) **Field of Classification Search**

USPC ..... D14/204, 205, 216, 240, 242, 299, 125,  
 D14/129, 130, 140, 155, 168, 188, 195,  
 D14/300, 302, 314, 348, 351, 496, 230,  
 D14/167, 172; D13/103, 107, 108, 123,  
 D13/152, 158, 162, 162.1, 163, 168, 184,  
 D13/199, 146, 159; D10/104.1, 106.1,  
 D10/106.6, 116.1, 61, 64, 75, 106.9  
 CPC ... H04W 88/08; H04W 88/085; H04W 88/00;  
 H04W 88/005; H04W 88/02; H04W  
 88/12; H04W 88/14; H04W 88/16; H04W  
 88/18; H04W 4/00; H04W 16/26; H01Q  
 1/02; H01Q 1/2291; H01Q 1/246; H01Q  
 1/42; H04B 1/38; H04R 2201/00; H04R  
 2201/02; H04R 1/00; H04R 1/02  
 See application file for complete search history.

D806,711	S	1/2018	Sakaguchi et al.
D807,867	S	1/2018	Kato et al.
D814,324	S	4/2018	Kalvachev et al.
D844,593	S *	4/2019	Bould ..... D14/240
2012/0173857	A1	7/2012	Kobraei et al.
2013/0245796	A1	9/2013	Lentzitzky et al.
2014/0262057	A1	9/2014	Chambers et al.
2015/0002276	A1	1/2015	Kicklighter et al.
2015/0098455	A1	4/2015	Fritsch
2015/0195099	A1	7/2015	Imes et al.
2015/0284992	A1	10/2015	Hall et al.
2015/0285535	A1	10/2015	Hall et al.
2016/0085412	A1	3/2016	Meganathan et al.
2016/0130874	A1	5/2016	Pram et al.
2016/0132031	A1	5/2016	Kozura et al.
2016/0139575	A1	5/2016	Funes
2016/0182247	A1	6/2016	Cregg
2016/0183037	A1	6/2016	Grohman
2016/0198465	A1	7/2016	Britt et al.
2016/0239044	A1	8/2016	Kass et al.

(56) **References Cited**

U.S. PATENT DOCUMENTS

D459,725	S	7/2002	Lee et al.
D486,408	S	2/2004	de Groote
6,856,236	B2	2/2005	Christensen
D512,718	S	12/2005	Mori et al.
7,047,092	B2	5/2006	Wimsatt
7,389,806	B2	6/2008	Kates
D585,892	S	2/2009	Urban
7,498,952	B2	3/2009	Newman, Jr.
D595,734	S	7/2009	Son
D612,959	S	3/2010	Howard
D643,412	S	8/2011	Brady et al.
7,991,866	B2	8/2011	Anderson
8,125,172	B2	2/2012	Berman et al.
8,358,197	B2	1/2013	Tran
8,396,604	B2	3/2013	Imes et al.
8,443,071	B2	5/2013	Lu et al.
8,457,793	B2	6/2013	Golding et al.
D685,773	S	7/2013	Katarow et al.
8,490,006	B1	7/2013	Reeser
8,504,174	B2	8/2013	Rahme et al.
8,516,087	B2	8/2013	Wilson
8,598,978	B2	12/2013	Knode
8,760,269	B2	6/2014	Feldstein et al.
8,897,897	B2	11/2014	Demskie
9,137,297	B2	9/2015	Kim et al.
9,250,932	B2	2/2016	Locascio et al.
9,270,492	B2	2/2016	Ansari et al.
9,323,239	B2	4/2016	Madonna et al.
D756,953	S	5/2016	Zhang
9,366,082	B2	6/2016	Feldstein
9,447,636	B2	9/2016	Blair et al.
D769,227	S	10/2016	Kass et al.
D773,329	S	12/2016	Olodort et al.
D776,656	S	1/2017	Lagerstedt et al.
D776,657	S	1/2017	Lagerstedt et al.
D798,842	S	10/2017	Kass et al.

OTHER PUBLICATIONS

“Wink Connected Home Hub,” Wink, Amazon.com, Inc., Tools & Home Improvement Electrical Home Automation Devices Hubs & Controllers.

“Caseta Wireless, Caseta Wireless—Overview,” Sep. 21, 2016, <http://www.lutron.com/enUS/Products/Pages/SingleRoomControls/CasetaWireless/Overview.aspx>

DG2-WH Caseta Wireless ge, Homekit-Enabled, Tools & Home Improvement Electrical Home Automation Devices Hubs & Controllers, <https://www.amazon.com/LutronLBDG2WHCasetaWirelessHomeKitenabled/dp/B00XPW67ZM>, Sep. 21, 2016.

“Caseta Wireless works with Apple (R) Homekit (tm), Control your lights and shades with Siri (R),” <http://www.casetawireless.com/pages/applehomekit.aspx>, Sep. 21, 2016.

“Lutron myRoom (tm)—Overview”, <http://www.lutron.com/enUS/Products/Pages/SingleRoomControls/myRoom/overview.aspx>, Sep. 21, 2016.

“Alena Pull-to-Start Drapery Track, Putting Control in your guests’ hands,” Lutron Electronics, Co., Inc. P/N 367-2560 REV A, [www.lutron.com/shadingsolutions](http://www.lutron.com/shadingsolutions), Jan. 2015.

Nexia Bridge \_ Z Wave Repeater, Home Connect, [www.amazon.com/gp/product/b008suojejs/ref=as\\_li\\_tl?](http://www.amazon.com/gp/product/b008suojejs/ref=as_li_tl?)

Gateways and Wireless Controllers (Design—© Questel) orbit.com. [online PDF] 77 pgs. Publish Dates range from May 27, 2009 to Mar. 20, 2018. [Retrieved on May 10, 2018] <https://www38.orbit.com/?locale=en&ticket=0d7a07af-d212-425e-b0cb-fa28633f74cb&embedded=false#PexmListPage>.

Wireless receiver and routers. (Design—© Questel) orbit.com. [online PDF] 21 pgs. Print Dates range Feb. 16, 2011 through Jul. 24, 2018 [Retrieved on Oct. 27, 2018] <https://sobjprd.questrel.fr/export/QPTUJ214/pdf2/2a51e997-a1ef-478c-b165-bb1e9475554a-155808.pdf>.

\* cited by examiner

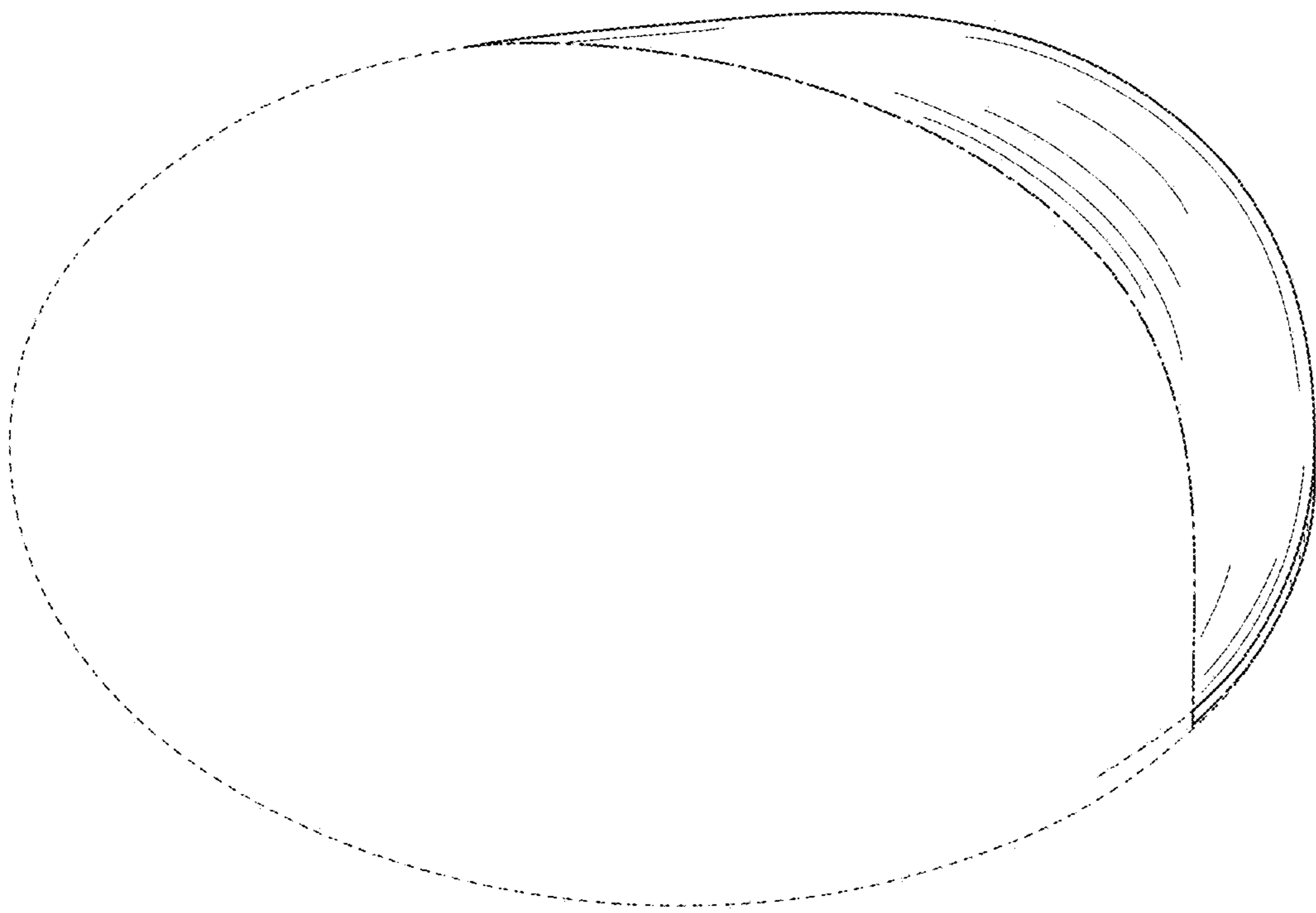


FIG. 1

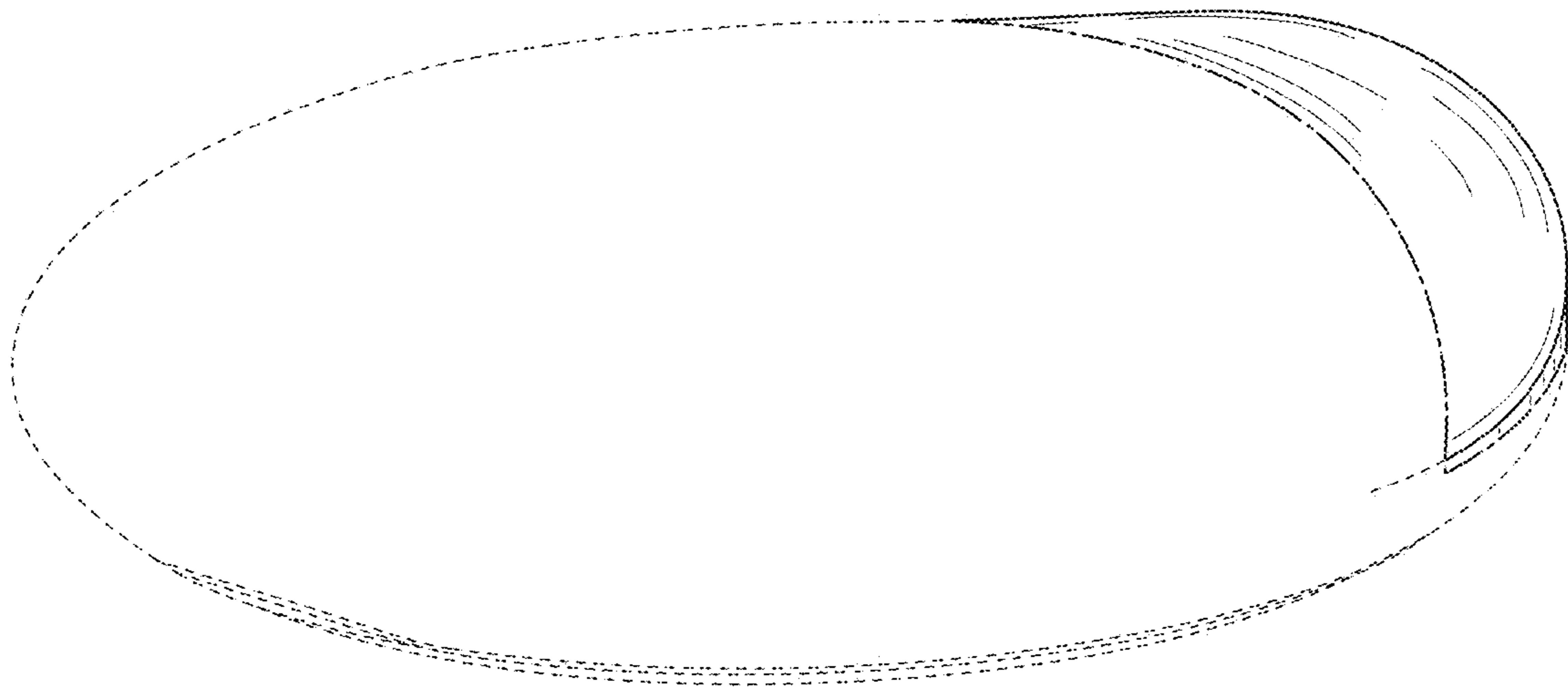


FIG. 2

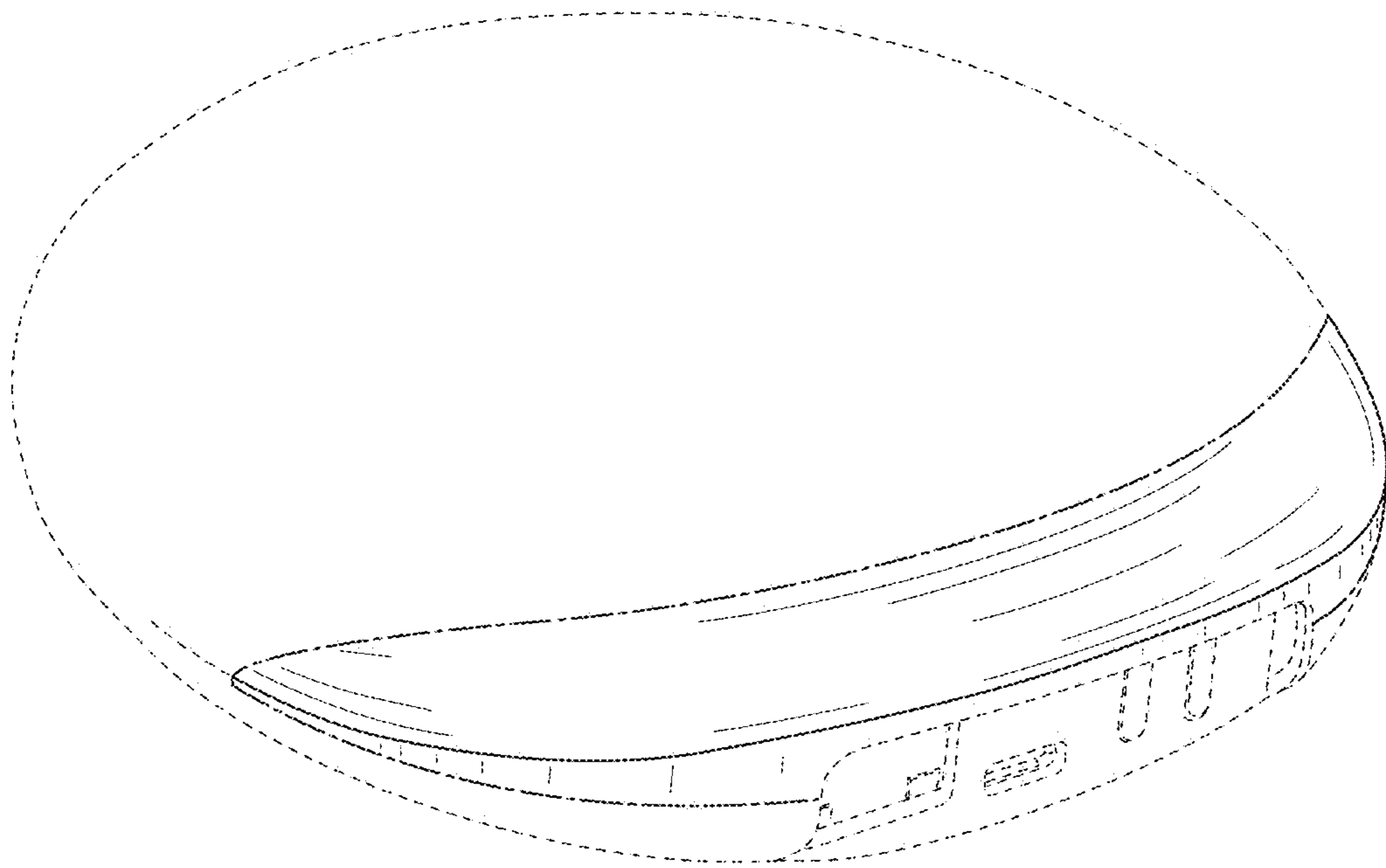


FIG. 3

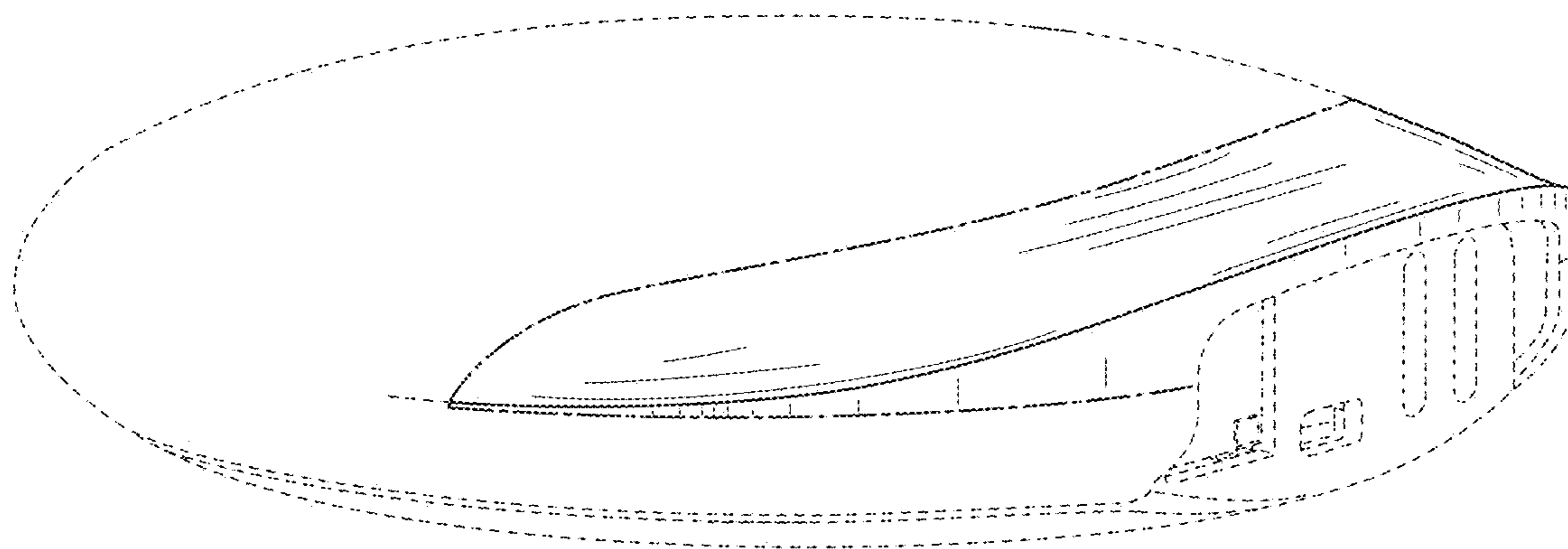


FIG. 4

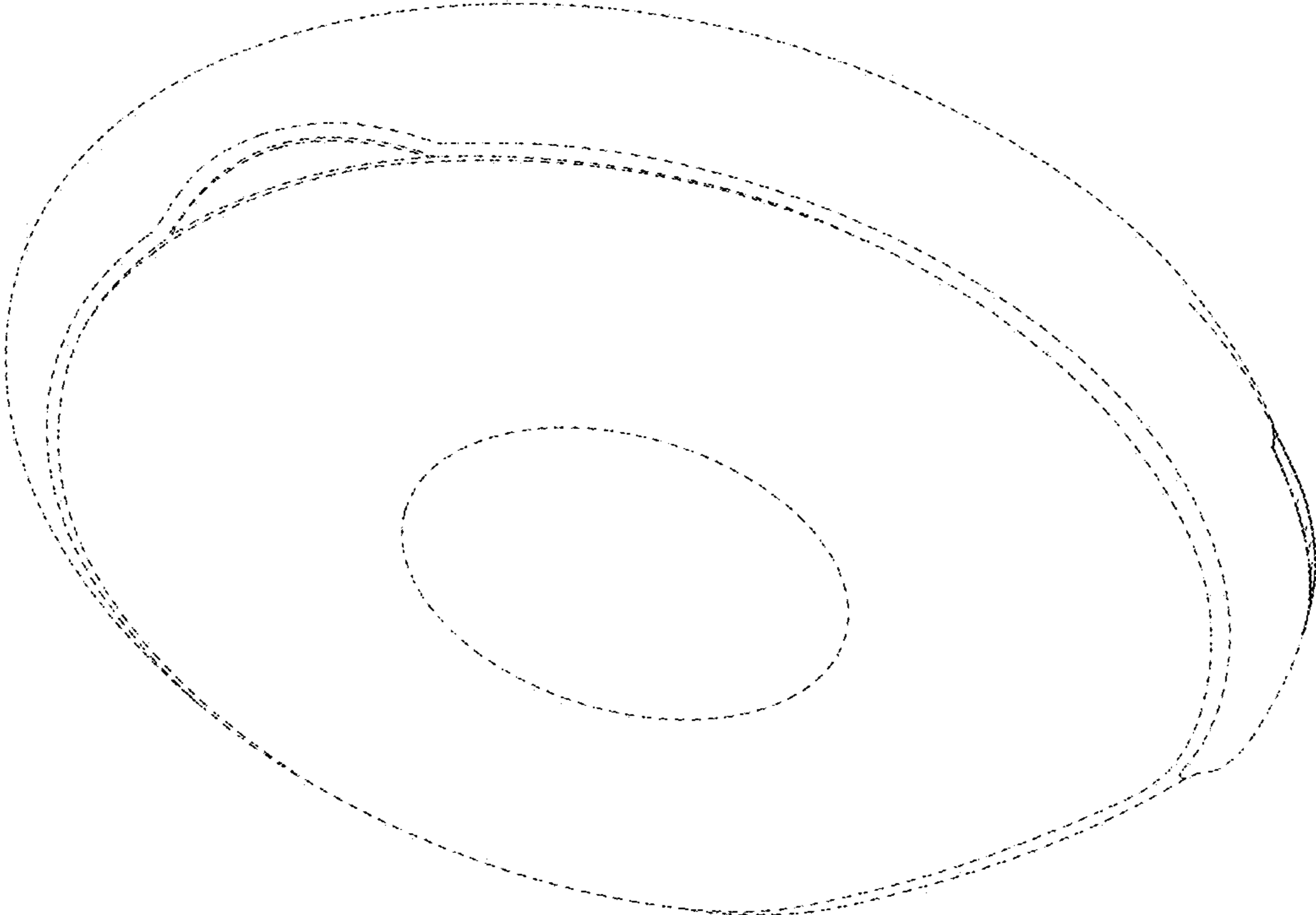


FIG. 5

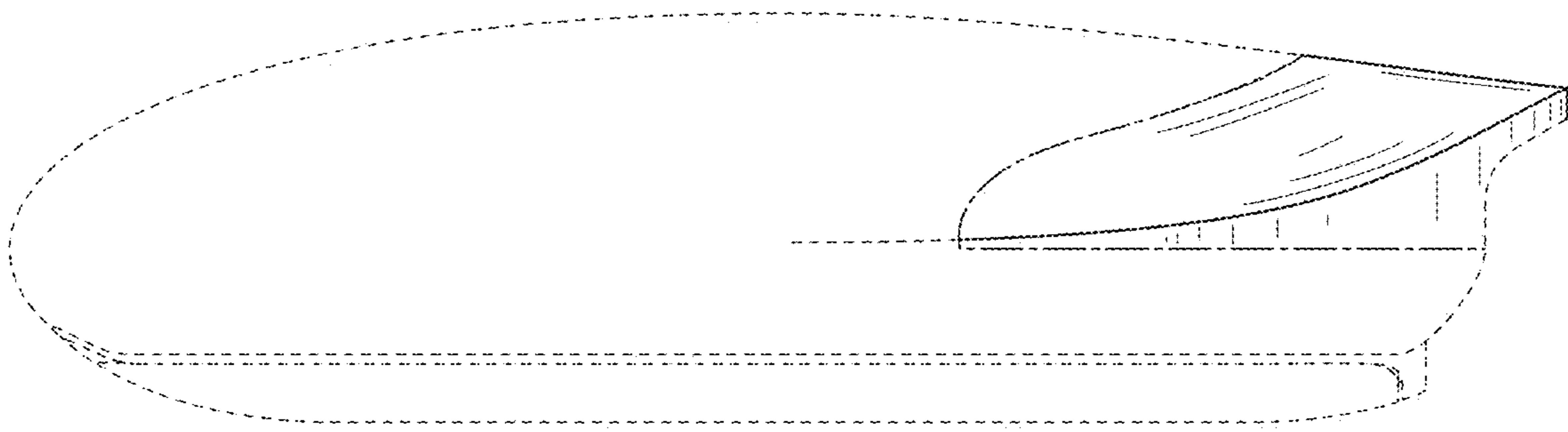


FIG. 6

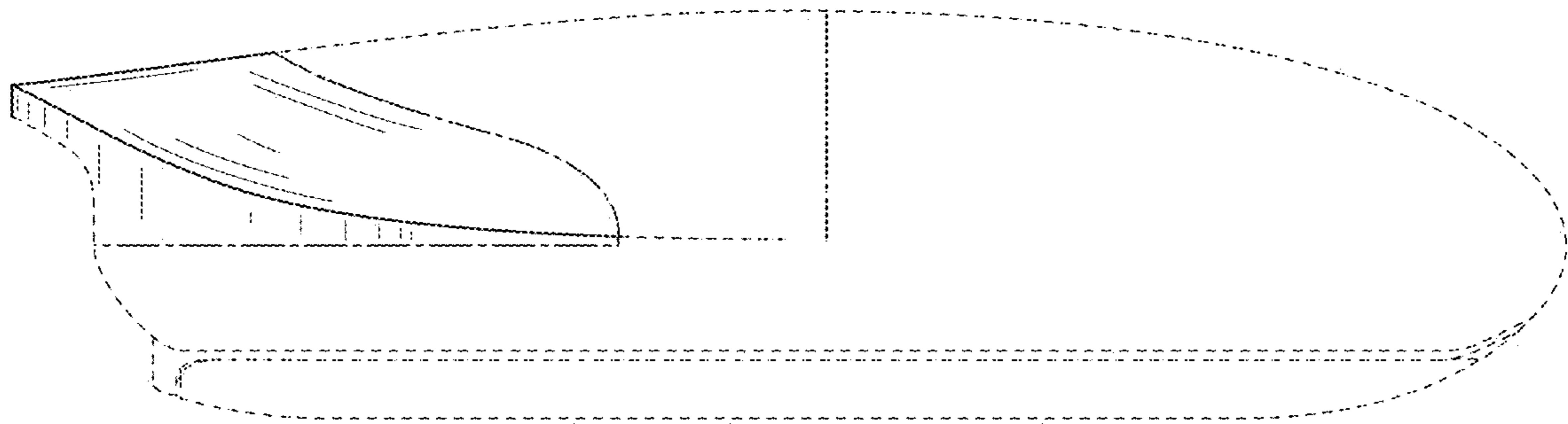


FIG. 7



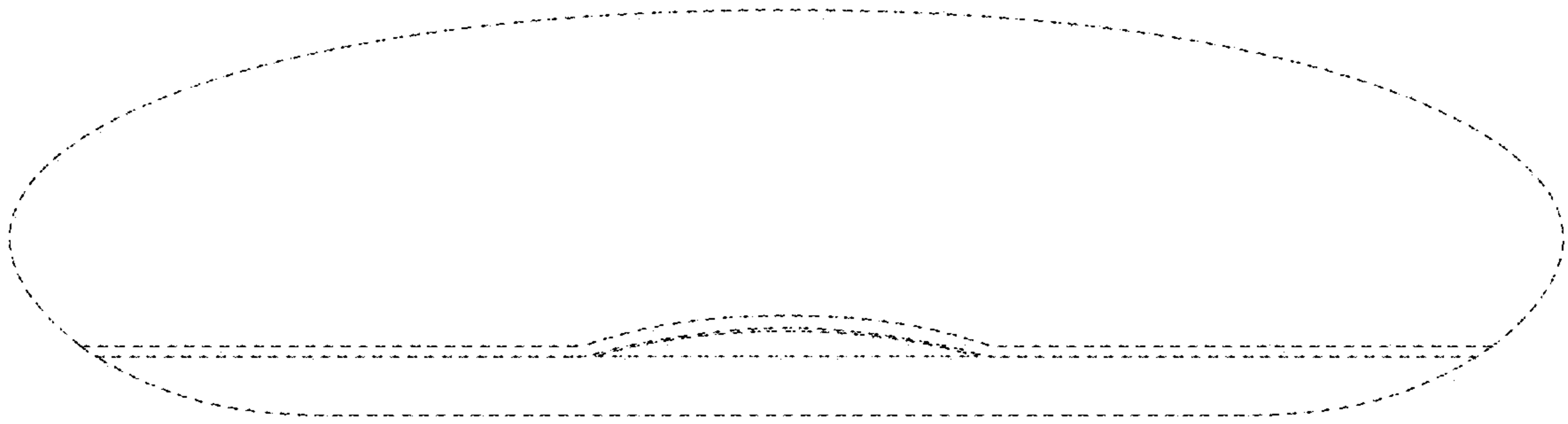


FIG. 8

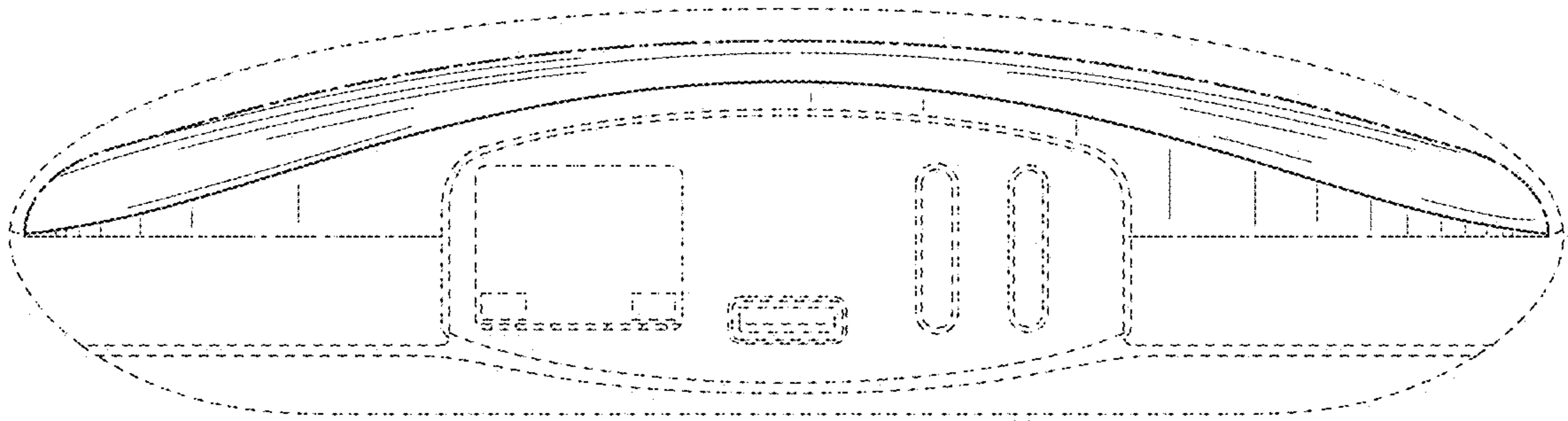


FIG. 9

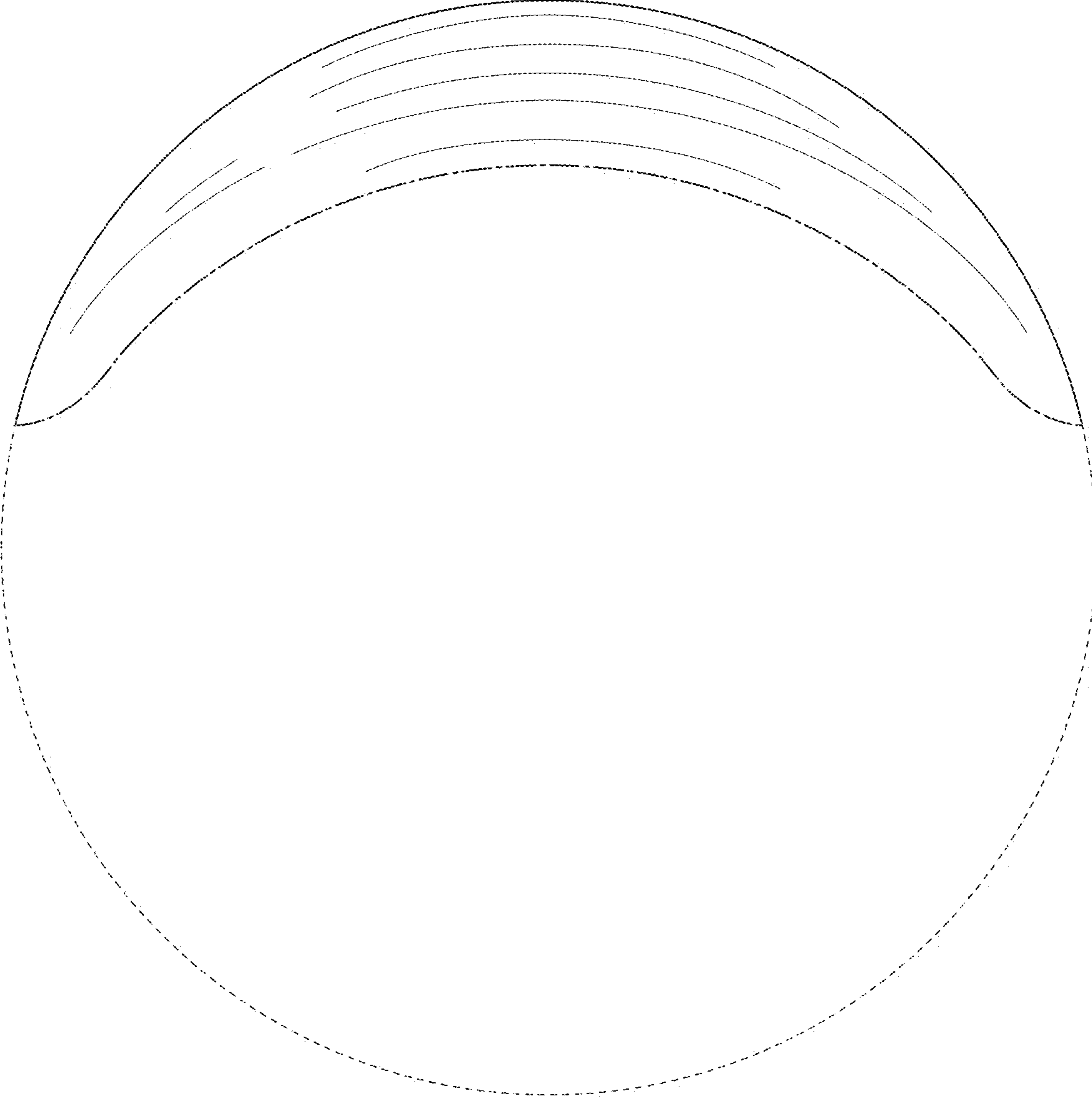


FIG. 10

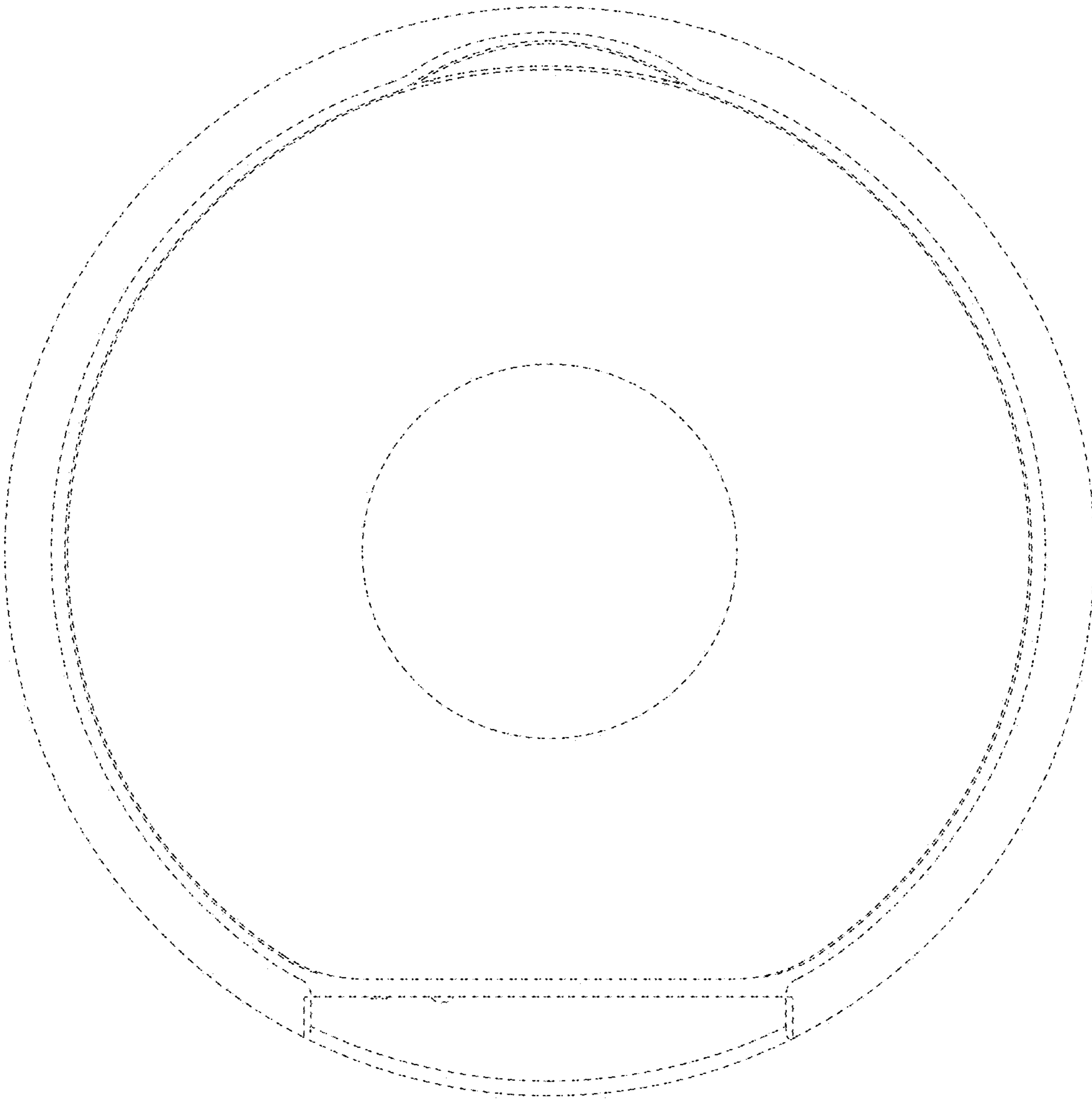


FIG. 11