



US00D873802S

(12) **United States Design Patent** (10) **Patent No.:** **US D873,802 S**  
**Cran** (45) **Date of Patent:** **\*\* Jan. 28, 2020**

(54) **HIGH DEFINITION TELEVISION ANTENNA**

(71) Applicant: **DFO Global Performance Commerce Limited**, Richmond (CA)

(72) Inventor: **Bruce Cran**, Richmond (CA)

(73) Assignee: **DFO Global Performance Commerce Limited**, Richmond, British Columbia (CA)

(\*\*) Term: **15 Years**

(21) Appl. No.: **29/643,019**

(22) Filed: **Apr. 3, 2018**

(51) **LOC (12) Cl.** ..... **14-03**

(52) **U.S. Cl.**  
USPC ..... **D14/218**

(58) **Field of Classification Search**  
USPC ..... D14/230, 232-236  
CPC .. H01Q 1/24; H01Q 1/22; H01Q 1/38; H01Q 9/28; H01Q 1/12  
See application file for complete search history.

(56) **References Cited**

**U.S. PATENT DOCUMENTS**

- 2,480,155 A \* 8/1949 Masters ..... H01Q 9/285  
343/795
- D211,179 S \* 5/1968 Rosenberry et al. .... D14/234
- D332,262 S \* 1/1993 Borchardt ..... D14/230
- 7,091,925 B1 \* 8/2006 Wang ..... H01Q 9/0421  
343/866
- D590,379 S \* 4/2009 Deguchi ..... D14/230
- D612,371 S \* 3/2010 Suleiman ..... D14/234
- D623,175 S \* 9/2010 Suleiman ..... D14/230
- D656,131 S \* 3/2012 Suleiman ..... D14/230
- D665,385 S \* 8/2012 Conrad ..... D14/230
- D754,641 S \* 4/2016 Suleiman ..... D14/230
- D761,771 S \* 7/2016 Winstead ..... D14/230
- 9,761,935 B2 9/2017 Ross et al.
- D806,689 S \* 1/2018 Deng ..... D14/234

- D829,695 S \* 10/2018 Wu ..... D14/230
- D837,188 S \* 1/2019 Yang ..... D14/230
- D855,592 S \* 8/2019 Wu ..... D14/230
- D856,315 S \* 8/2019 Yang ..... D14/230
- D857,675 S \* 8/2019 Wu ..... D14/230
- 2004/0017325 A1 \* 1/2004 Satoh ..... H01Q 1/38  
343/795
- 2007/0164906 A1 \* 7/2007 Tsai ..... H01Q 1/24  
343/700 MS

(Continued)

**FOREIGN PATENT DOCUMENTS**

- CN 305210885 \* 6/2019
- WO 2015081049 6/2015

**OTHER PUBLICATIONS**

Amazon.com: Updated 2019 Version Professional Carbon Fibre 65-120 Miles TV Antenna, reviews 2018, <https://www.amazon.com/Professional-Freeview-Channels-Television-Amplifier/dp/B07H...> site visited Sep. 21, 2019 (Year: 2019).\*

*Primary Examiner* — Lilyana Bekic  
*Assistant Examiner* — John R Yeh  
(74) *Attorney, Agent, or Firm* — McCarthy Tétrault LLP

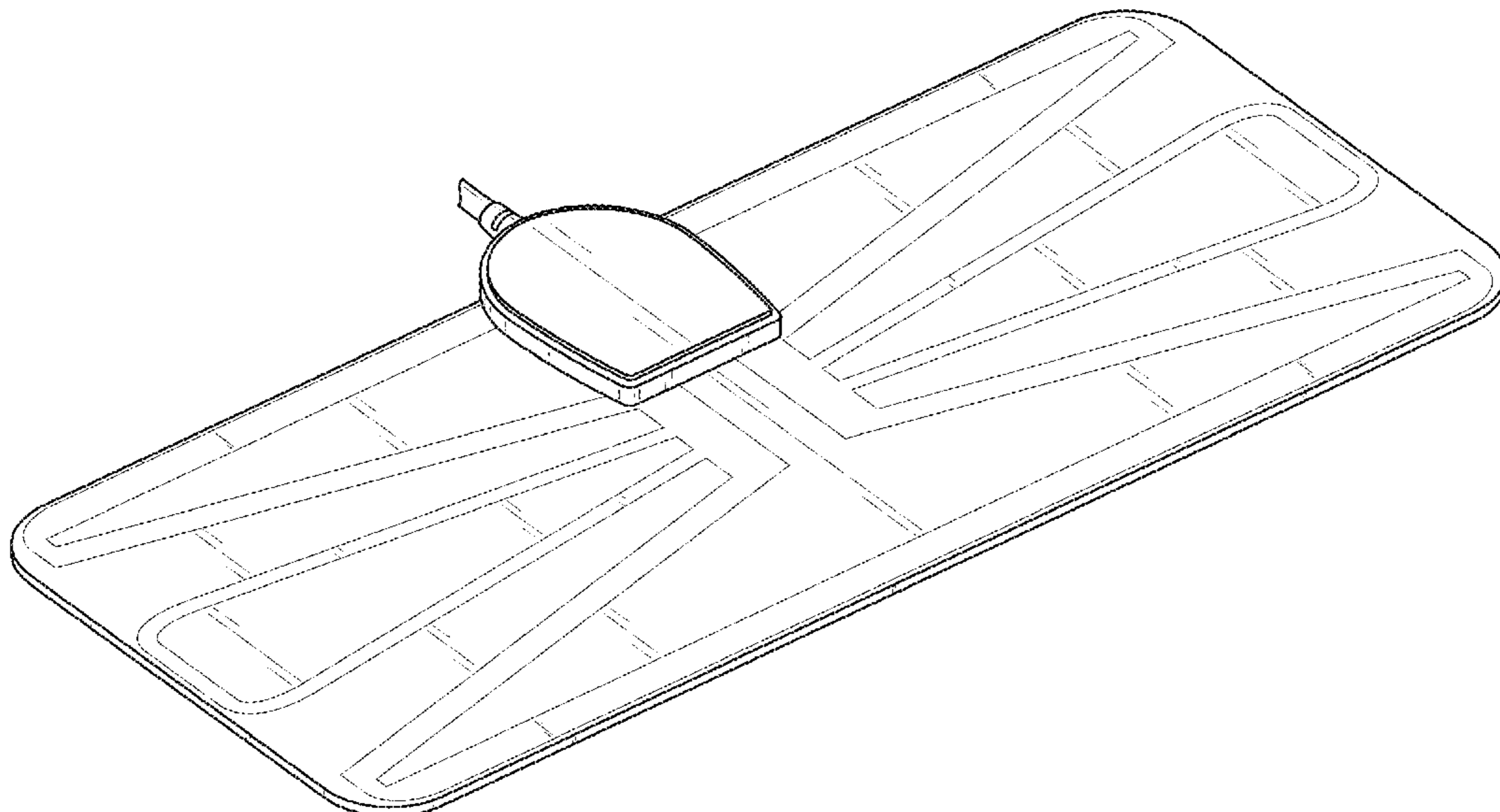
(57) **CLAIM**

The ornamental design for a high definition television antenna, as shown and described.

**DESCRIPTION**

FIG. 1 is a top perspective view of the high definition television antenna in accordance with the design;  
FIG. 2 is a rear view thereof;  
FIG. 3 is a front view thereof;  
FIG. 4 is a right side view thereof;  
FIG. 5 is a left side view thereof;  
FIG. 6 is a top plan view thereof; and,  
FIG. 7 is a bottom plan view thereof.

**1 Claim, 5 Drawing Sheets**



(56)

**References Cited**

U.S. PATENT DOCUMENTS

2010/0302118 A1\* 12/2010 Suleiman ..... H01Q 1/12  
343/808  
2013/0222199 A1\* 8/2013 Apostolos ..... H01Q 9/28  
343/795  
2019/0058238 A1\* 2/2019 Yang ..... H01Q 1/1207

\* cited by examiner

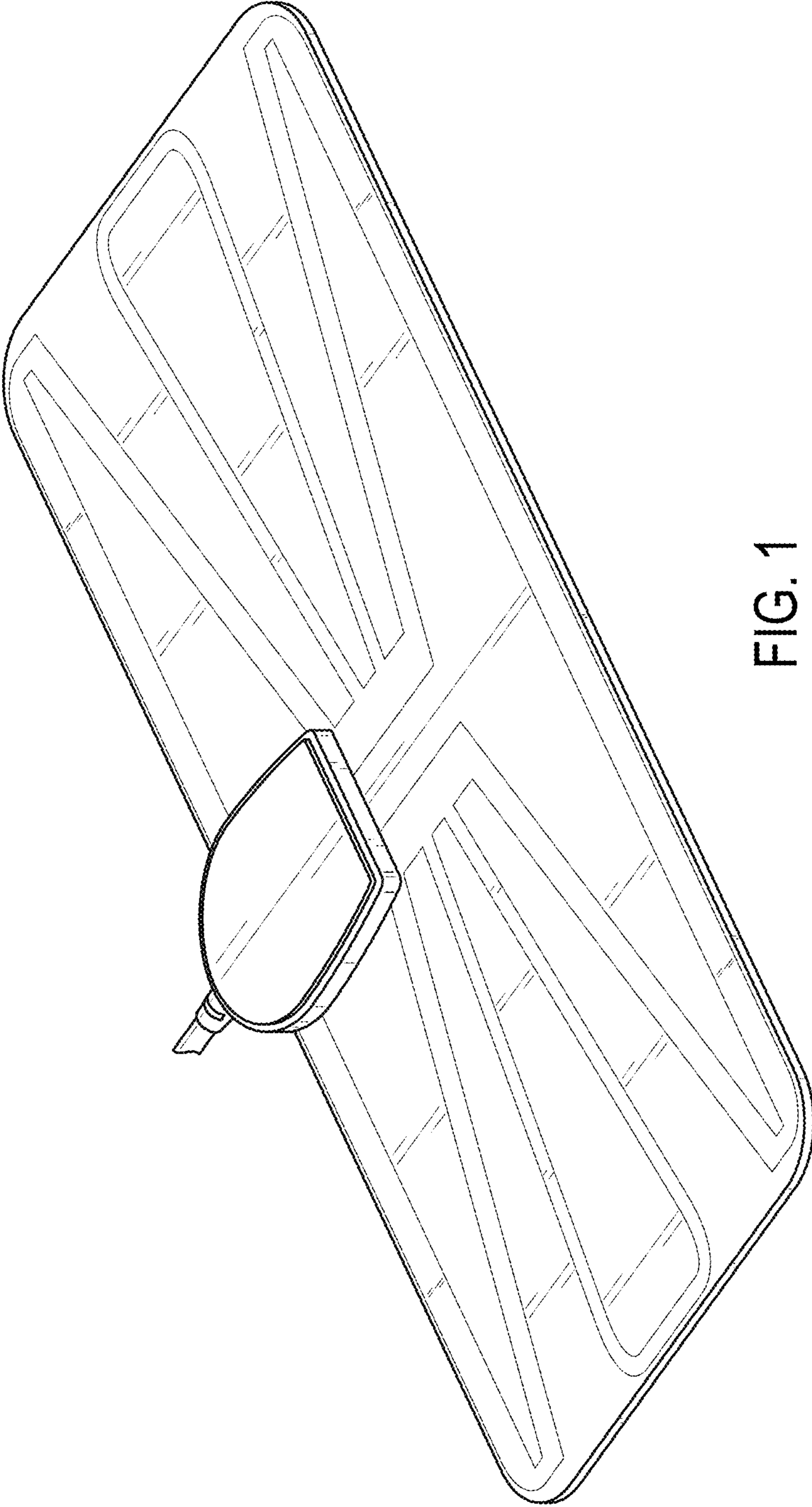


FIG. 1

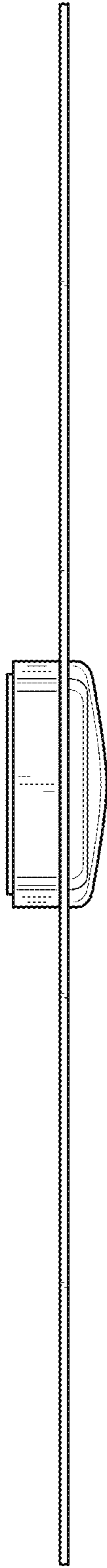


FIG. 2

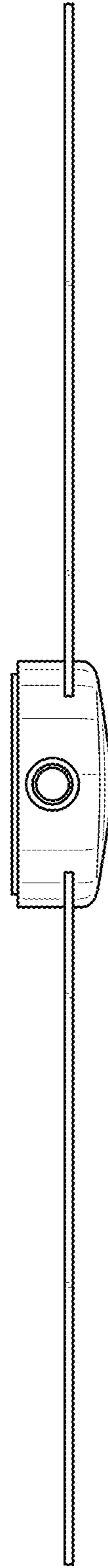


FIG. 3

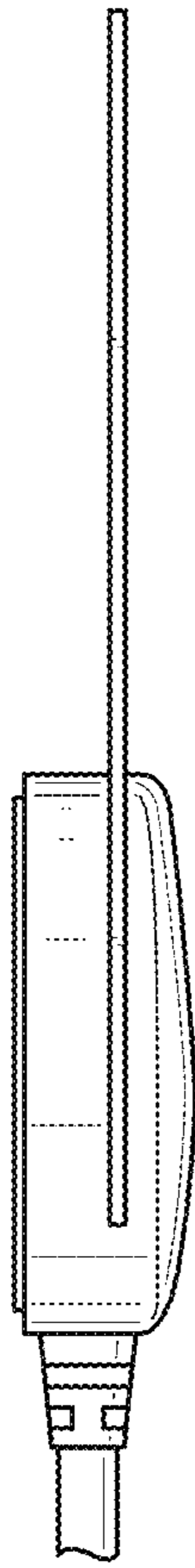


FIG. 4

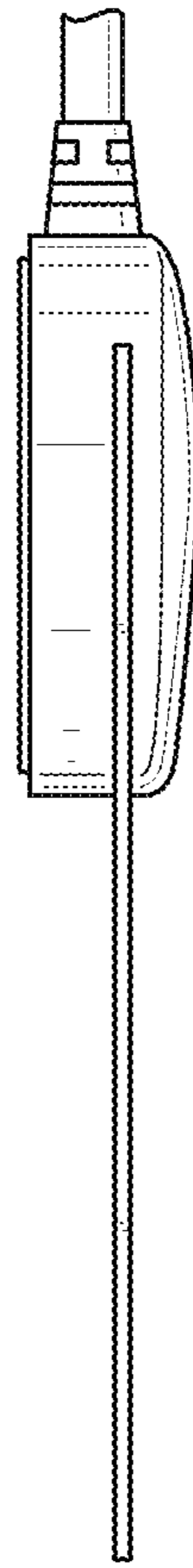


FIG. 5

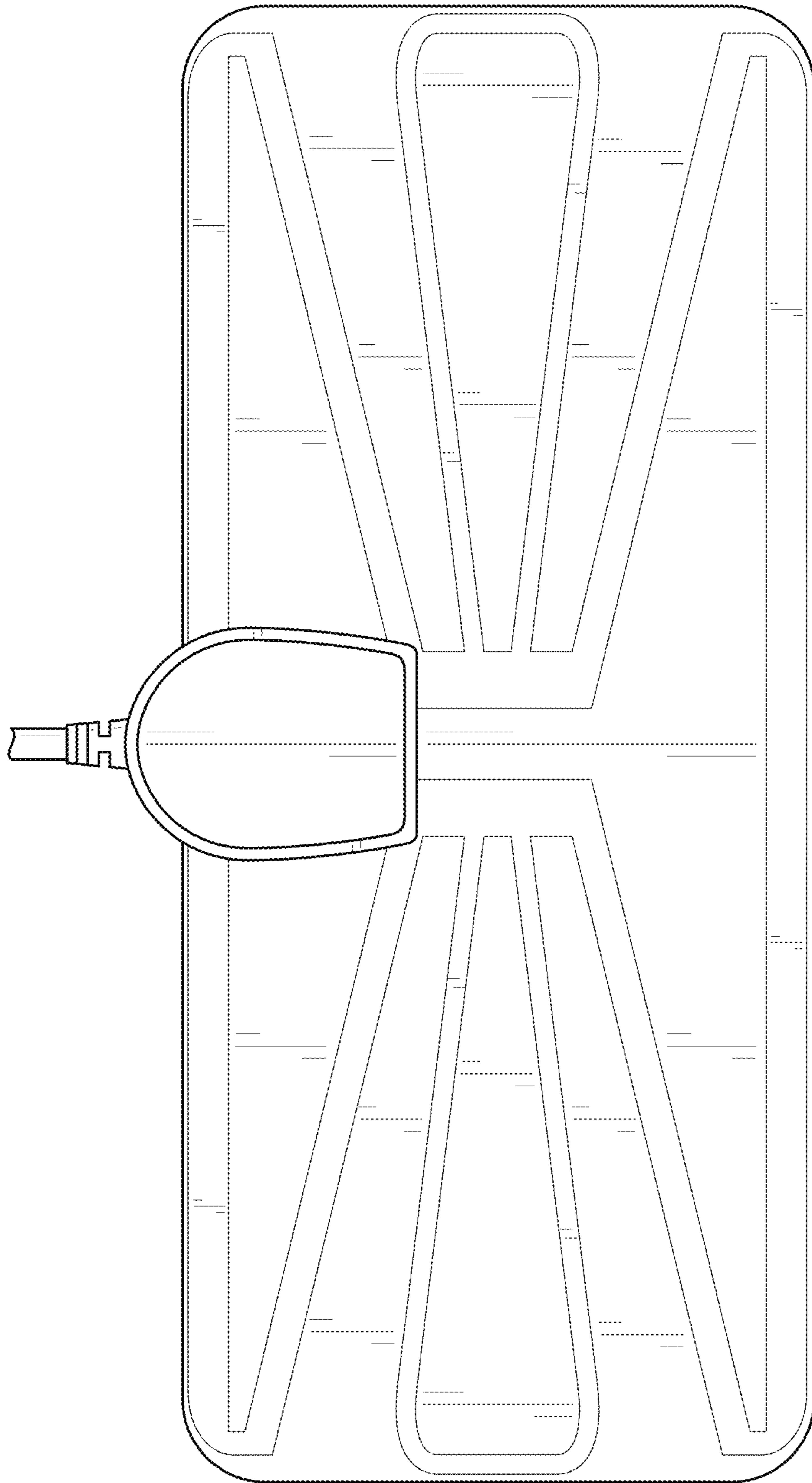


FIG. 6

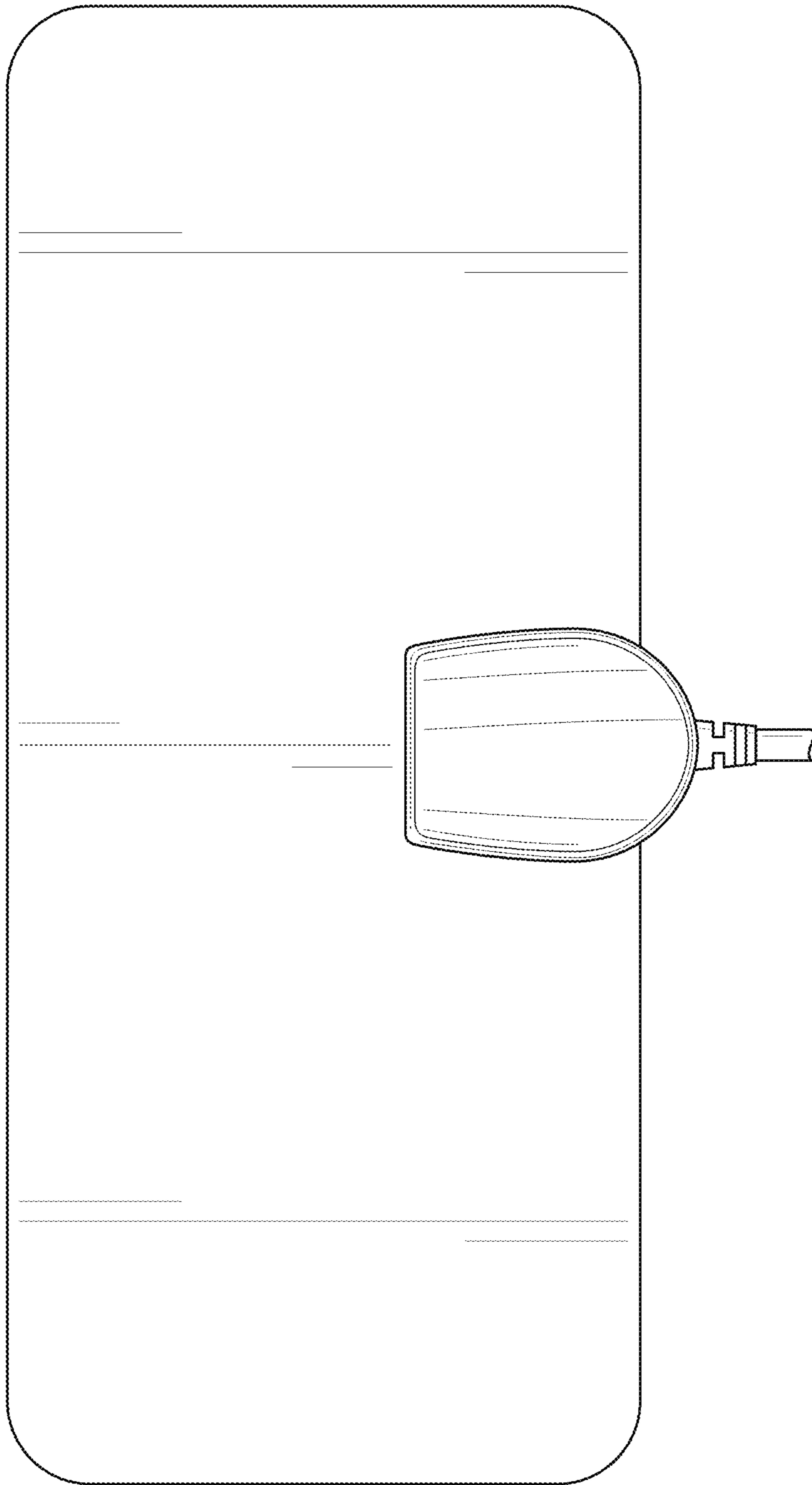


FIG. 7