



US00D873795S

(12) **United States Design Patent**
Susterman

(10) **Patent No.:** **US D873,795 S**
(45) **Date of Patent:** **** Jan. 28, 2020**

- (54) **SPEAKER**
- (71) Applicant: **Spirit, LLC**, Miami Gardens, FL (US)
- (72) Inventor: **Alberto Susterman**, Miami Gardens, FL (US)
- (73) Assignee: **Spirit, LLC**, Miami Gardens, FL (US)
- (**) Term: **15 Years**
- (21) Appl. No.: **29/612,572**
- (22) Filed: **Aug. 2, 2017**
- (51) **LOC (12) Cl.** **14-01**
- (52) **U.S. Cl.**
USPC **D14/216**
- (58) **Field of Classification Search**
USPC D14/203.1, 204–206, 208–210, 212, 213,
D14/214–217, 219, 221–225, 249, 372,
D14/433, 138 R, 182, 188, 191–194, 172,
D14/496, 252, 253; D29/112; D2/875;
D24/173–175, 106; D3/294, 273;
D12/195, 192, 204; D13/108
CPC H04R 25/02; H04R 25/00; H04R 1/10;
H04R 1/1016; H04R 1/105; H04R
1/1083; H04R 1/02; H04R 1/1041; H04R
5/033; H04R 7/00; H04R 2420/07; H04R
2430/01; H04R 25/65; H04R 25/656;
H04R 25/658; H04R 27/00; H04R
2205/021; H04R 1/28; H04R 1/05; H04R
5/0335; A61F 11/00; A61F 11/06; A61F
11/08; A61F 11/12; A61F 11/14
See application file for complete search history.

- D250,586 S * 12/1978 Nussdorfer D14/216
 - D261,645 S * 11/1981 Babb D14/212
 - D266,560 S * 10/1982 Matsubara D14/212
- (Continued)

OTHER PUBLICATIONS

DS18 PRO-TW4L RGB Super Tweeter, published 2018 [online], [retrieved Mar. 28, 2019], Available from Internet, URL: <https://www.amazon.com/DS18-PRO-TW4L-Titanium-1-75-inch-Capacitor/dp/B079KH6SHY/ref=asc_df_B079KH6SHY/?tag=hyprod-20&linkCode=df0&hvadid=312070784062&hvpos=1o1&hvnetw=g&hvrand=8398329927683931286&hvpone.*

(Continued)

Primary Examiner — T Chase Nelson
Assistant Examiner — Mary Claire Ramirez
(74) *Attorney, Agent, or Firm* — Bay State IP, LLC

(57) **CLAIM**

The ornamental design for a speaker, as shown and described.

DESCRIPTION

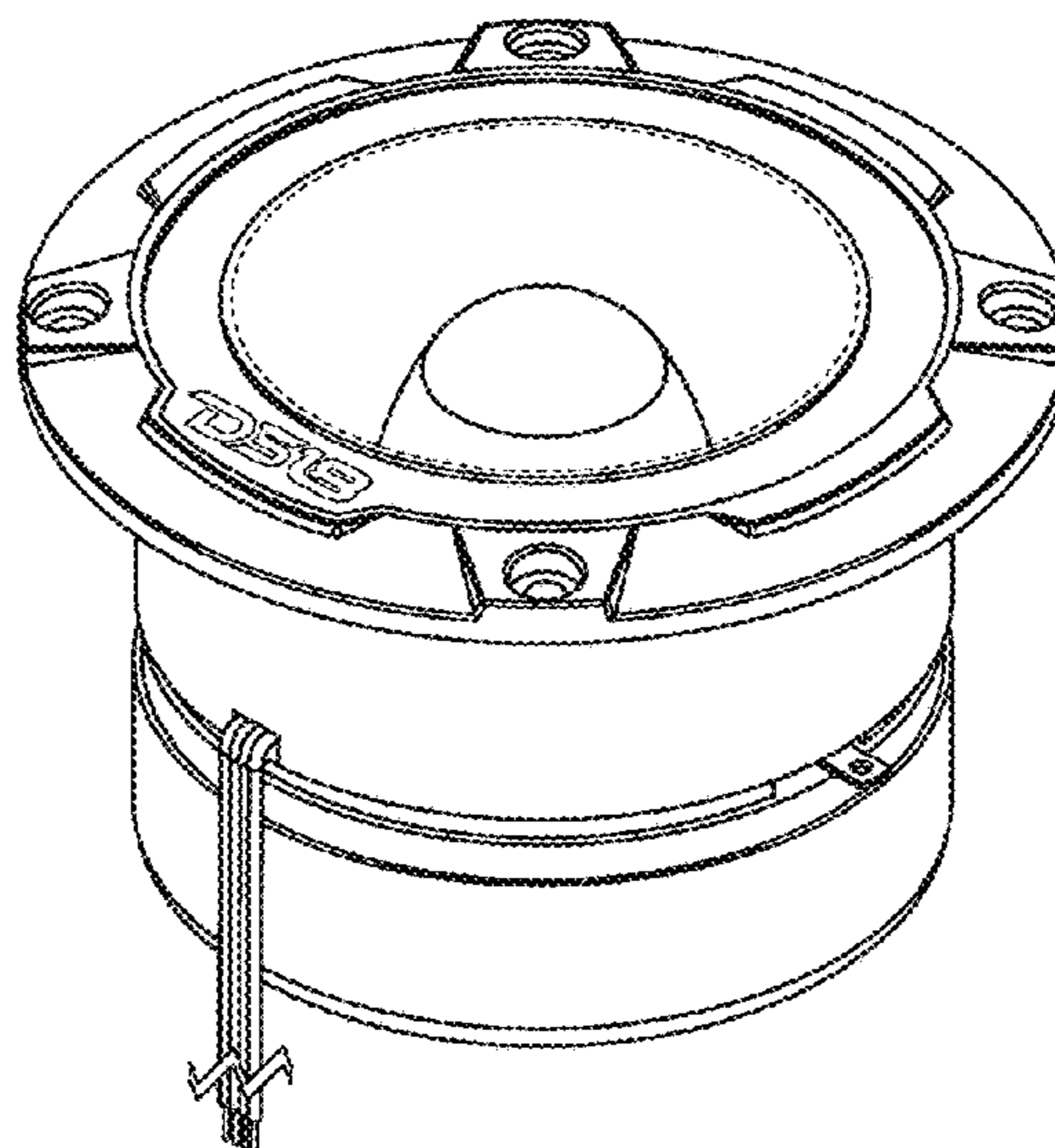
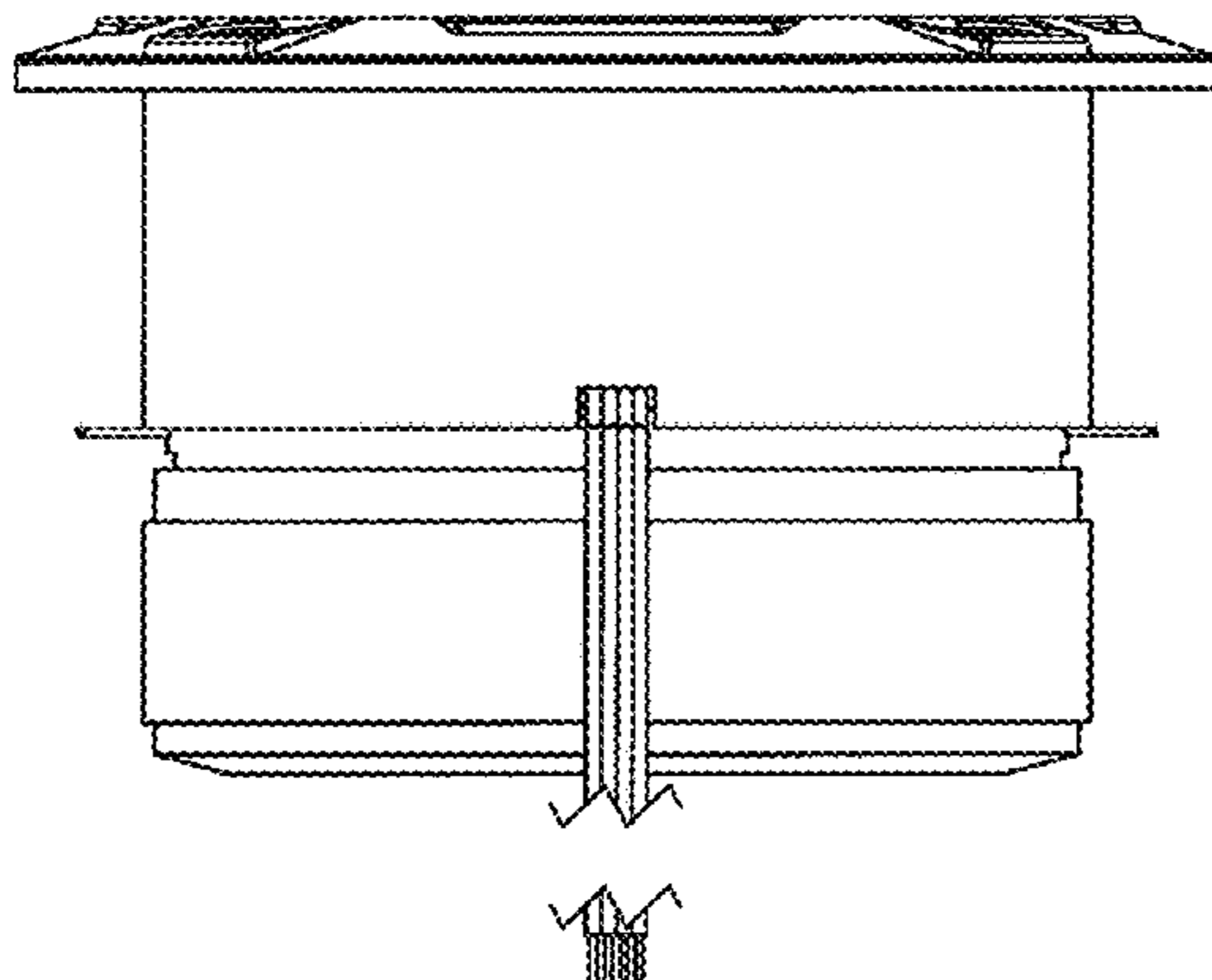
FIG. 1 is a top view of a speaker showing the new design; FIG. 2 is a bottom view thereof; FIG. 3 is a side view thereof; and, FIG. 4 is a perspective view thereof. The speaker is shown with symbolic breaks in its length. The appearance of any portion of the speaker shown between the break lines forms no part of the claimed design. The broken lines in the drawings depict portions of the speaker that form no part of the claimed design. The DS18 shown in this disclosure constitutes a trademark of the assignee company, Spirit, LLC. A portion of the disclosure of this patent document contains material to which a claim for trademark is made. The assignee company, Spirit, LLC, owner of the trademark, has no objection to the reproduction of the patent document or the patent disclosure, as it appears in the U.S. Patent Office records, but reserves all other trademark rights whatsoever.

1 Claim, 4 Drawing Sheets

(56) **References Cited**

U.S. PATENT DOCUMENTS

- D188,542 S * 8/1960 Levy et al. D14/216
- D192,290 S * 2/1962 Johnson et al. D14/216
- D248,647 S * 7/1978 Nussdorfer D14/216



(56)

References Cited

U.S. PATENT DOCUMENTS

D289,041 S * 3/1987 Bittencourt D14/216
 D357,678 S * 4/1995 Meyer D14/137
 D393,641 S * 4/1998 Hai-Fu D14/216
 D430,141 S * 8/2000 Liu D14/215
 D432,118 S * 10/2000 Honnert D14/216
 D436,946 S * 1/2001 Lin D14/214
 D443,262 S * 6/2001 Caren D14/224
 D443,605 S * 6/2001 Chiang D14/214
 D480,709 S * 10/2003 Proni D14/216
 D502,168 S * 2/2005 Hill D14/204
 D503,704 S * 4/2005 Yao D14/216
 D504,416 S * 4/2005 Dayan D14/216
 D513,745 S * 1/2006 Allen D14/211
 D518,027 S * 3/2006 Halsall D14/216
 D533,162 S * 12/2006 Lovegreen D14/191
 D539,203 S * 3/2007 Danbom D12/204
 D554,621 S * 11/2007 Yao D14/216
 D591,268 S * 4/2009 Futtrup D14/216
 D593,473 S * 6/2009 Fournier D12/207
 D602,910 S * 10/2009 Wang D14/216
 D608,345 S * 1/2010 Oishi D14/216
 D608,346 S * 1/2010 Oishi D14/216
 D658,161 S * 4/2012 Chen D14/216
 D668,635 S * 10/2012 Endo D14/216
 D687,020 S * 7/2013 Trainer D14/222

8,503,690 B2 * 8/2013 Knieschewski H04R 1/24
 381/182
 D718,280 S * 11/2014 Yoon D14/216
 D727,821 S * 4/2015 Vena D12/204
 D738,356 S * 9/2015 Yamada D14/215
 D762,194 S * 7/2016 Komazaki D14/216
 D854,517 S * 7/2019 Telle D14/216
 2003/0121718 A1 * 7/2003 Stead H04R 7/00
 181/172
 2013/0208925 A1 * 8/2013 Hayes G10K 11/20
 381/160
 2015/0271578 A1 * 9/2015 Marcum H04R 1/02
 381/395

OTHER PUBLICATIONS

DS18 PRO-TW4L, published Sep. 17, 2018 [online], [retrieved Mar. 28, 2019], Available from Internet, URL: <https://www.amazon.com/DS18-PRO-TW4L-BULLET-SUPER-TWEETER/dp/B079KHDH47/ref=sr_1_1?keywords=DS18+PRO-TW4L&qid=1553812888&s=wireless&sr=1-1-catcorr>.*
 DS18 PRO-TW120B Super Tweeter in Black, published Jun. 24, 2018 [online], [retrieved Mar. 28, 2019], Available from Internet, URL: <<https://www.amazon.com/dp/B07BBQYCNV>>.*

* cited by examiner

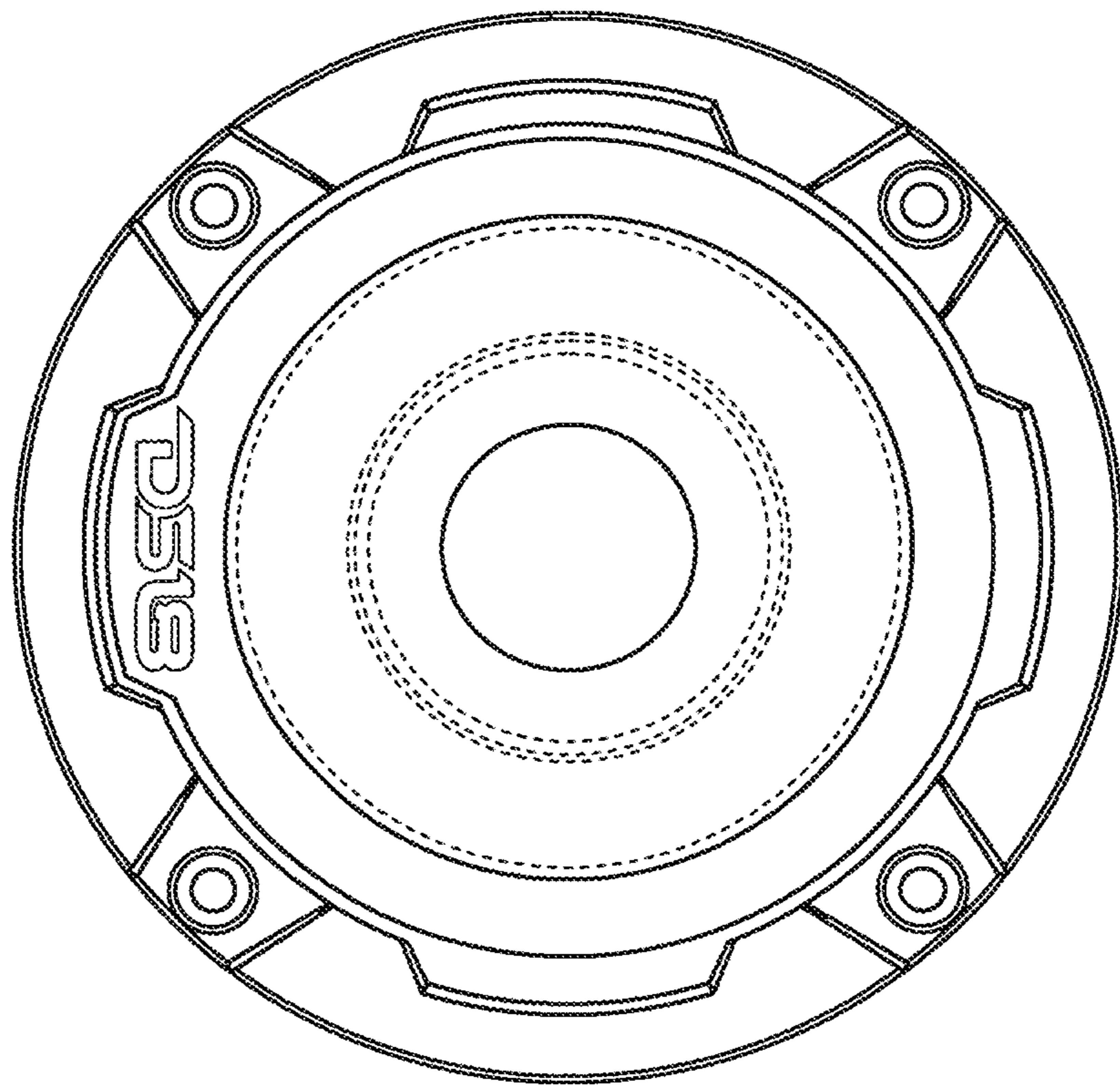


FIG. 1

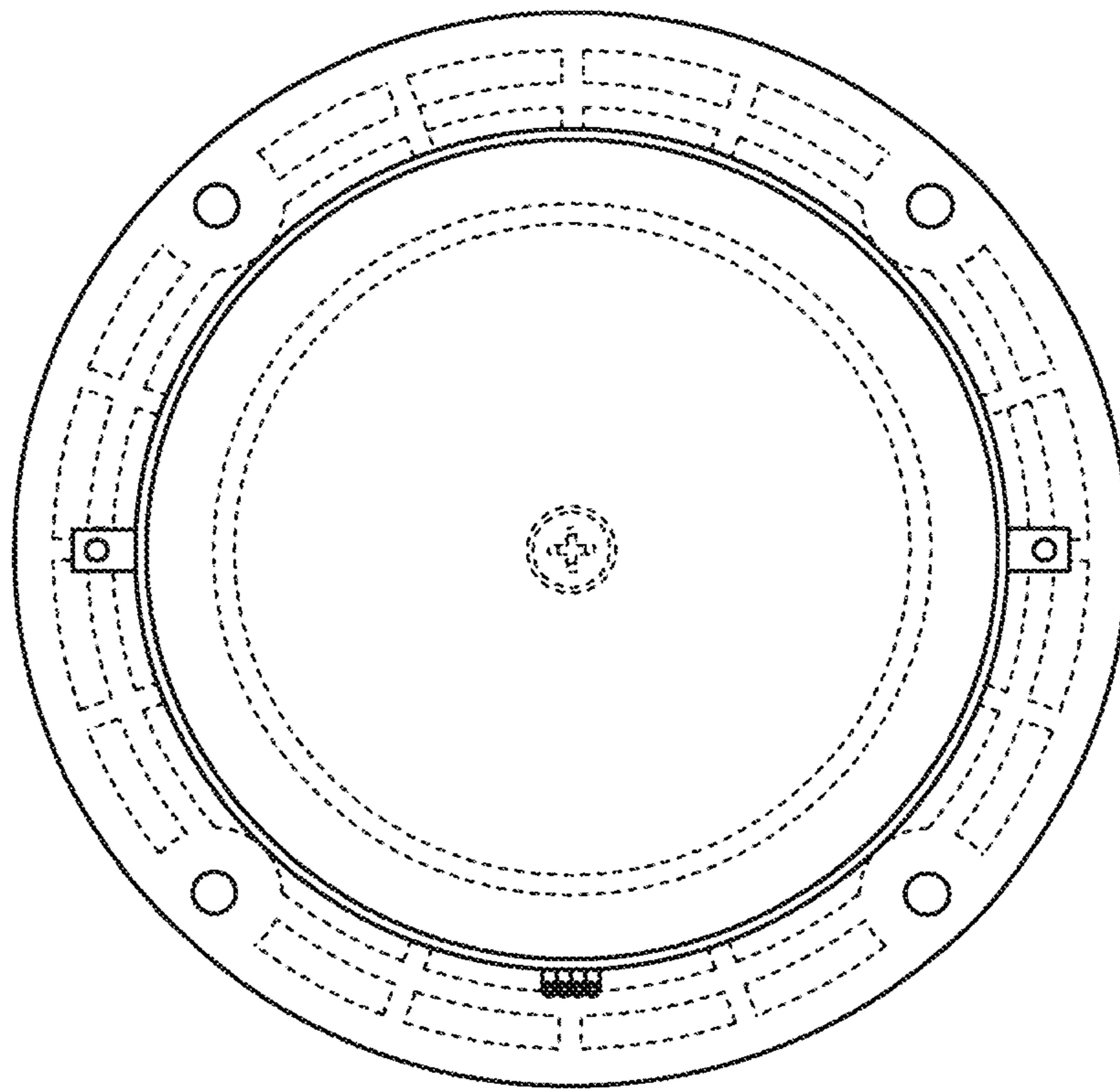


FIG. 2

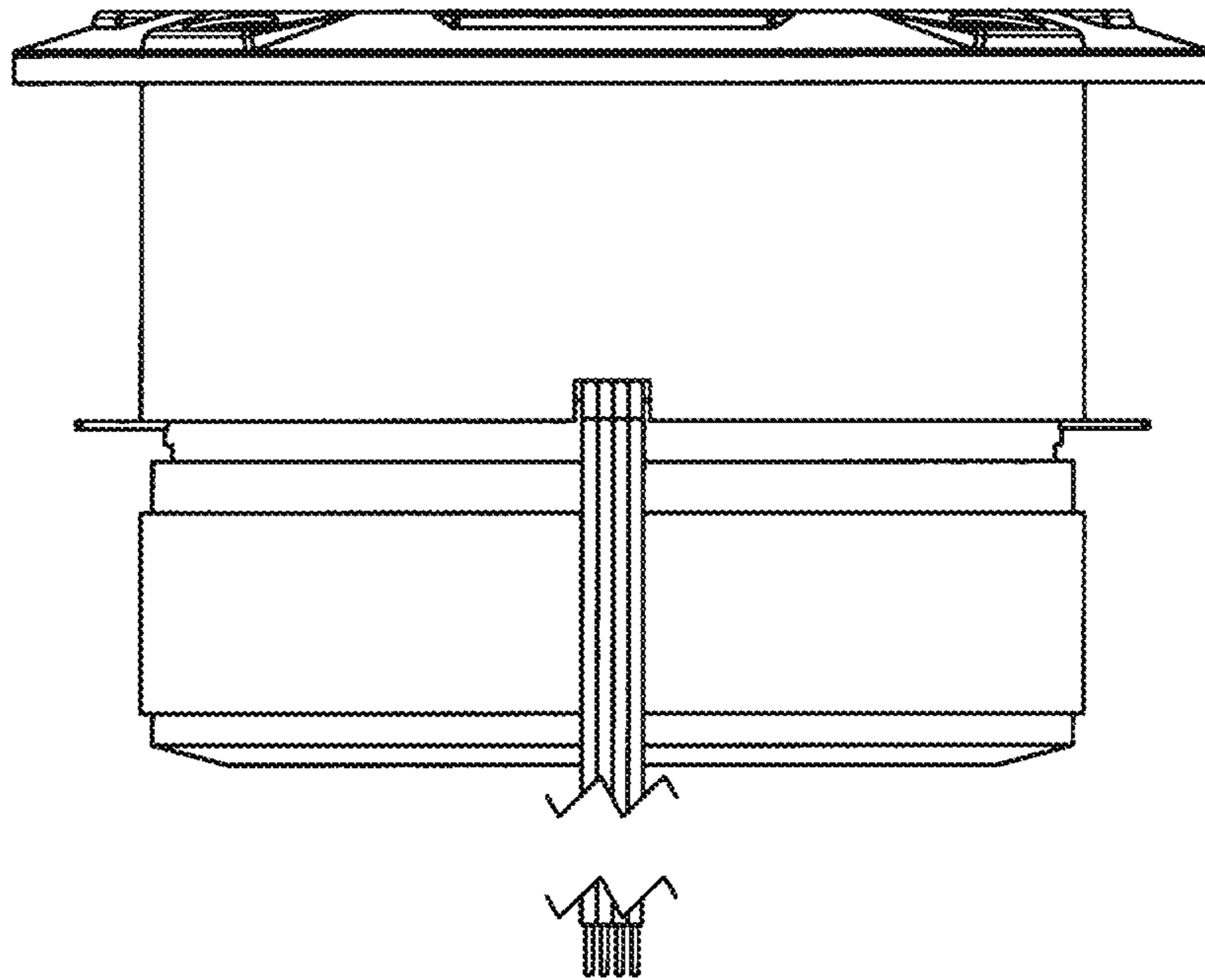


FIG. 3

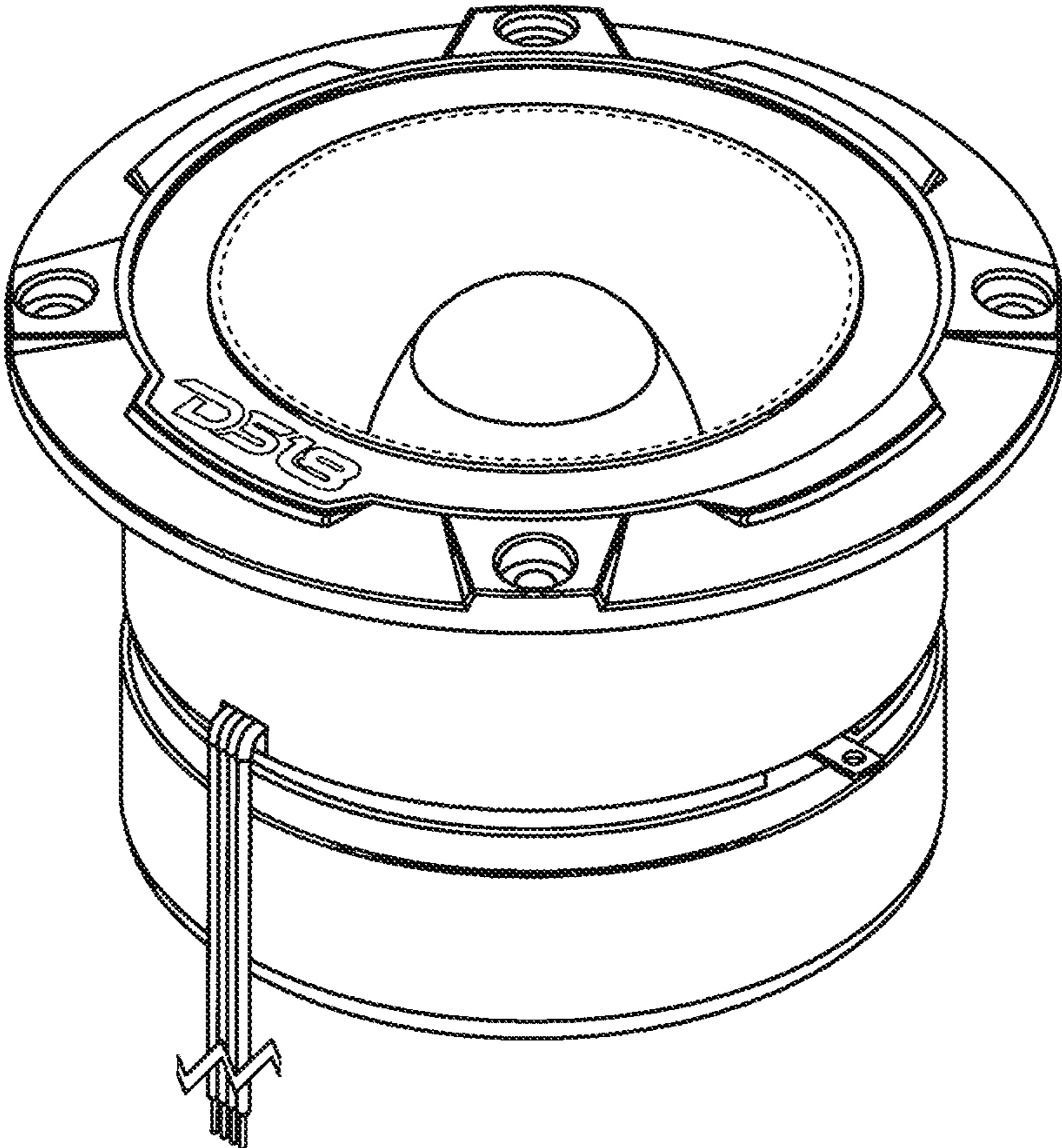


FIG. 4