



US00D873794S

(12) **United States Design Patent** (10) **Patent No.:** **US D873,794 S**  
**Lee et al.** (45) **Date of Patent:** **\*\* Jan. 28, 2020**

(54) **VOICE RECOGNITION SPEAKER**

(71) Applicant: **LG ELECTRONICS INC.**, Seoul (KR)

(72) Inventors: **Sangho Lee**, Seoul (KR); **Sooyoung Park**, Seoul (KR)

(73) Assignee: **LG ELECTRONICS INC.**, Seoul (KR)

(\*\*) Term: **15 Years**

(21) Appl. No.: **35/506,230**

(22) Filed: **Jun. 21, 2018**

(80) **Hague Agreement Data**

Int. Filing Date: **Jun. 21, 2018**  
Int. Reg. No.: **DM/102086**  
Int. Reg. Date: **Jun. 21, 2018**  
Int. Reg. Pub. Date: **Dec. 21, 2018**

(30) **Foreign Application Priority Data**

Dec. 22, 2017 (KR) ..... 30-2017-0061370

(51) **LOC (12) Cl.** ..... **14-01**

(52) **U.S. Cl.**  
USPC ..... **D14/214; D14/172**

(58) **Field of Classification Search**

USPC ... D14/159, 171, 172, 175, 188, 194, 203.1, D14/203.7-203.9, 204, 209.1, 210-214, D14/219, 221, 224.1, 238.1, 299, 341, D14/347, 496

CPC ..... H04M 2201/41; H04M 2201/405; H04R 2201/02; H04R 2499/15

See application file for complete search history.

(56) **References Cited**

**U.S. PATENT DOCUMENTS**

D557,251 S \* 12/2007 Nohara ..... D14/194  
D583,360 S \* 12/2008 Gredler ..... D10/2

D593,973 S \* 6/2009 Cho ..... D14/125  
D619,560 S \* 7/2010 Ho ..... D14/203.7  
D621,384 S \* 8/2010 Kao ..... D14/214  
D635,531 S \* 4/2011 Cho ..... D14/125  
D638,423 S \* 5/2011 Anderson ..... D14/356  
D647,505 S \* 10/2011 Skurdal ..... D14/209.1  
D648,743 S \* 11/2011 Chang ..... D14/168  
D659,670 S \* 5/2012 Goetzen ..... D14/194  
D671,909 S \* 12/2012 Choi ..... D14/188

(Continued)

**OTHER PUBLICATIONS**

LG Xboom AI ThinQ Smart Display | posted at pcmag.com Jan. 2018 [online]. © 1996-2019 Ziff Davis, LLC [retrieved Sep. 10, 2019] from Internet: <<https://www.pcmag.com/review/365998/lg-xboom-ai-thinq-wk9-smart-display>> (Year: 2018).\*

*Primary Examiner* — George D. Kirschbaum  
*Assistant Examiner* — Katherine Glennon  
(74) *Attorney, Agent, or Firm* — Birch, Stewart, Kolasch & Birch, LLP

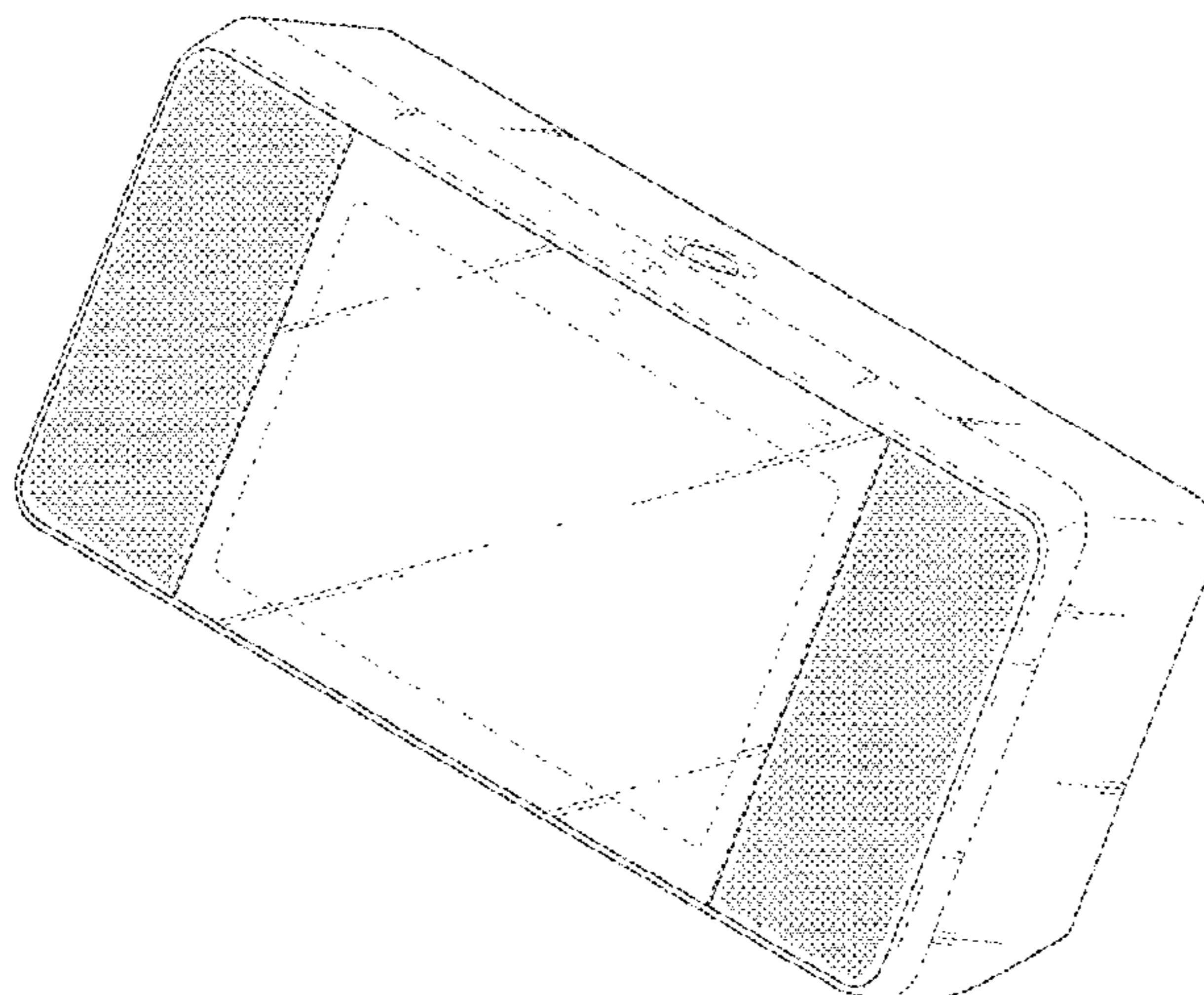
(57) **CLAIM**

The ornamental design for a voice recognition speaker, as shown and described.

**DESCRIPTION**

1. Voice recognition speaker  
1.1 is a front perspective view of a voice recognition speaker;  
1.2 is a front view thereof;  
1.3 is a back view thereof;  
1.4 is a left view thereof where the right view is a mirror image;  
1.5 is a top view thereof;  
1.6 is a bottom view thereof; and  
1.7 is a back perspective view thereof.  
The broken lines depict portions of the voice recognition speaker that form no part of the claimed design. This design is for a voice recognition speaker with a display in the center of the front portion thereof.

**1 Claim, 7 Drawing Sheets**



(56)

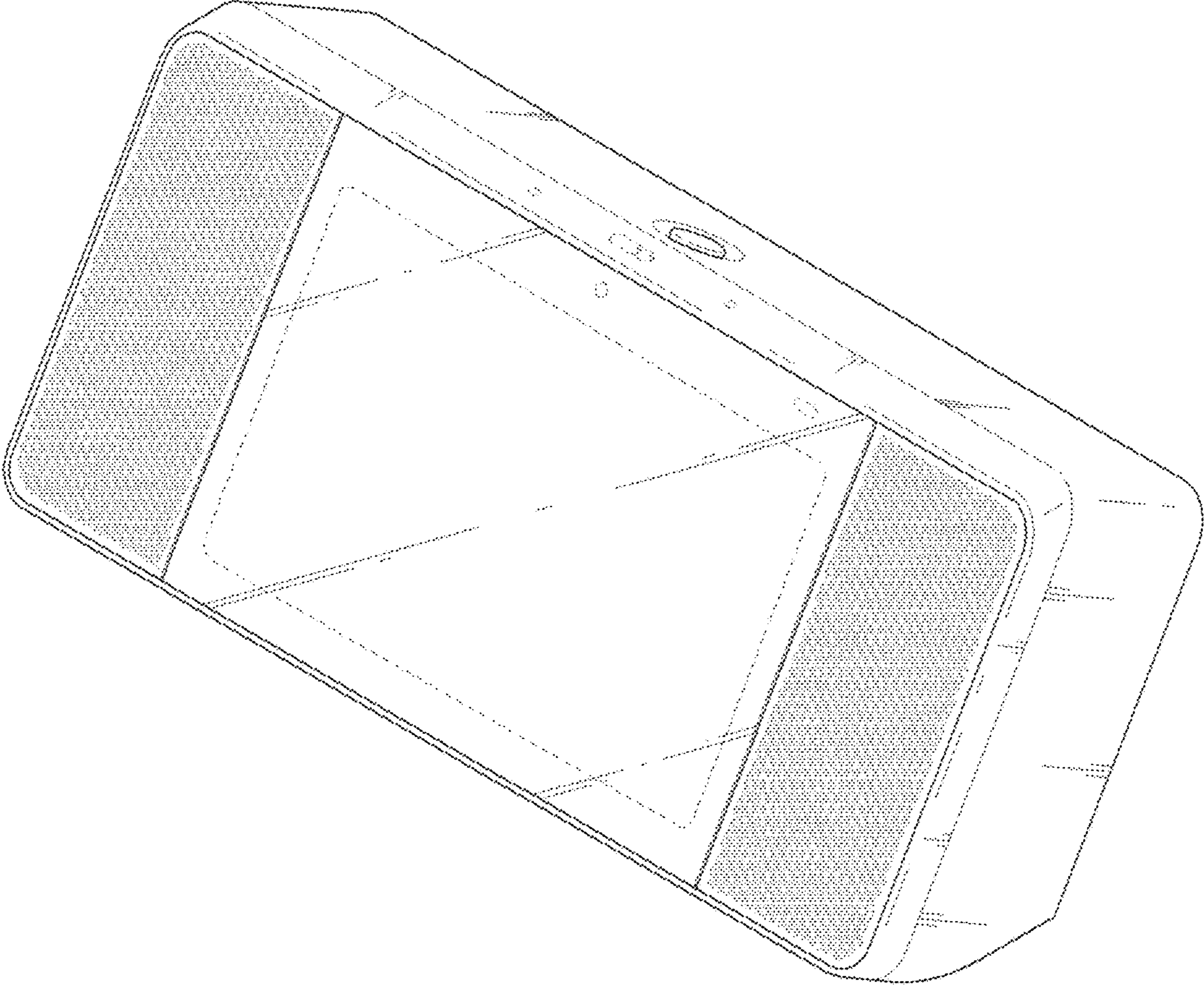
**References Cited**

U.S. PATENT DOCUMENTS

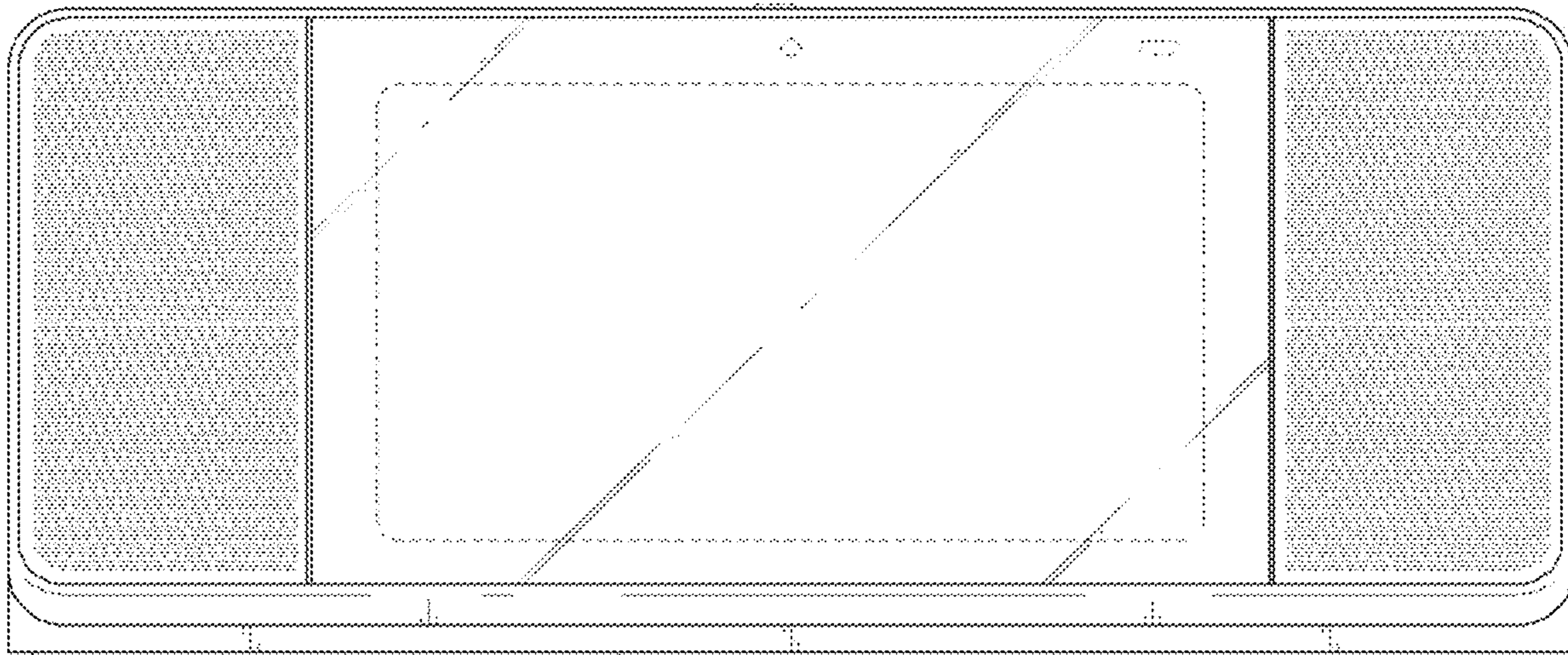
D676,413 S *	2/2013	Poandl .....	D14/171
D681,605 S *	5/2013	Yagi .....	D14/204
D703,182 S *	4/2014	McManigal .....	D14/198
D752,013 S *	3/2016	Benedetti .....	D14/204
D771,591 S *	11/2016	Carbone .....	D14/203.8
D800,095 S *	10/2017	Yao .....	D14/214
D806,066 S *	12/2017	McWilliam .....	D14/314
D833,416 S *	11/2018	Hu .....	D14/204
2011/0235846 A1 *	9/2011	Jiang .....	G11B 33/025 381/386

\* cited by examiner

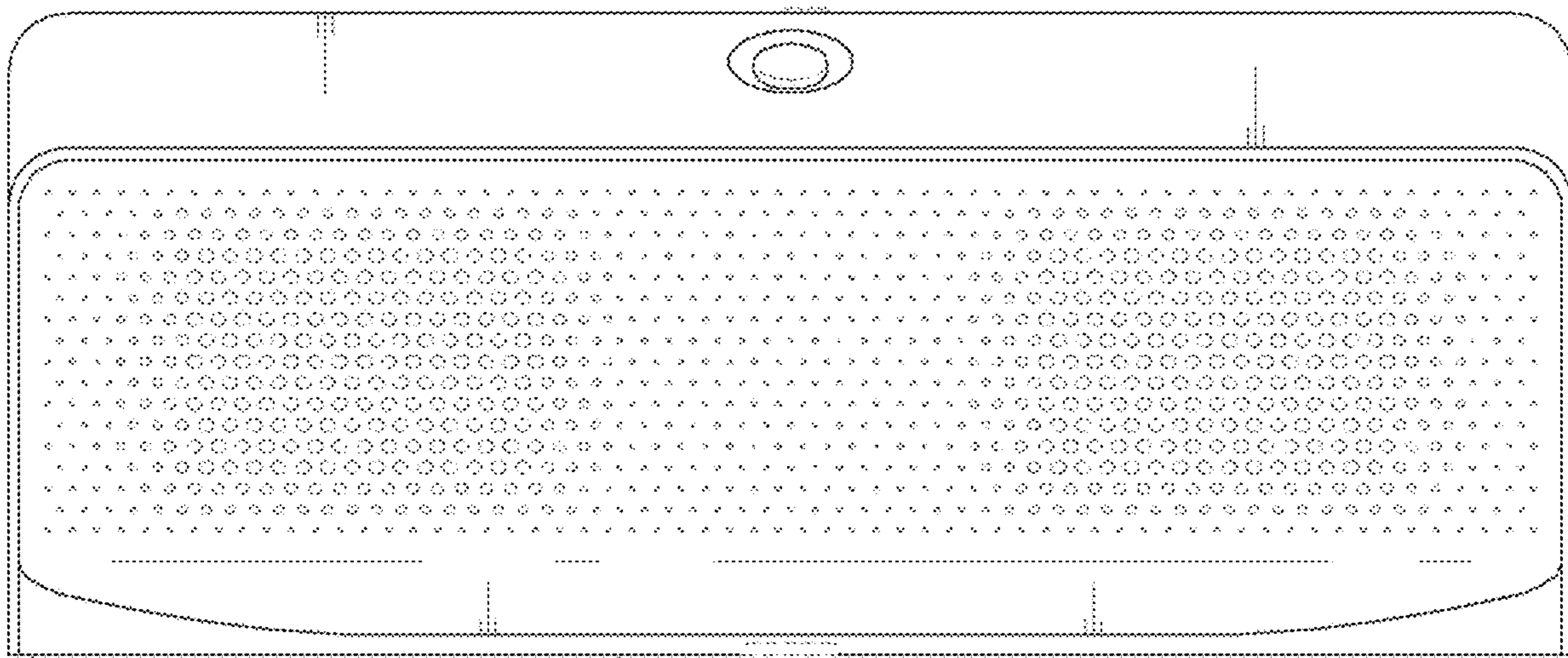
1.1



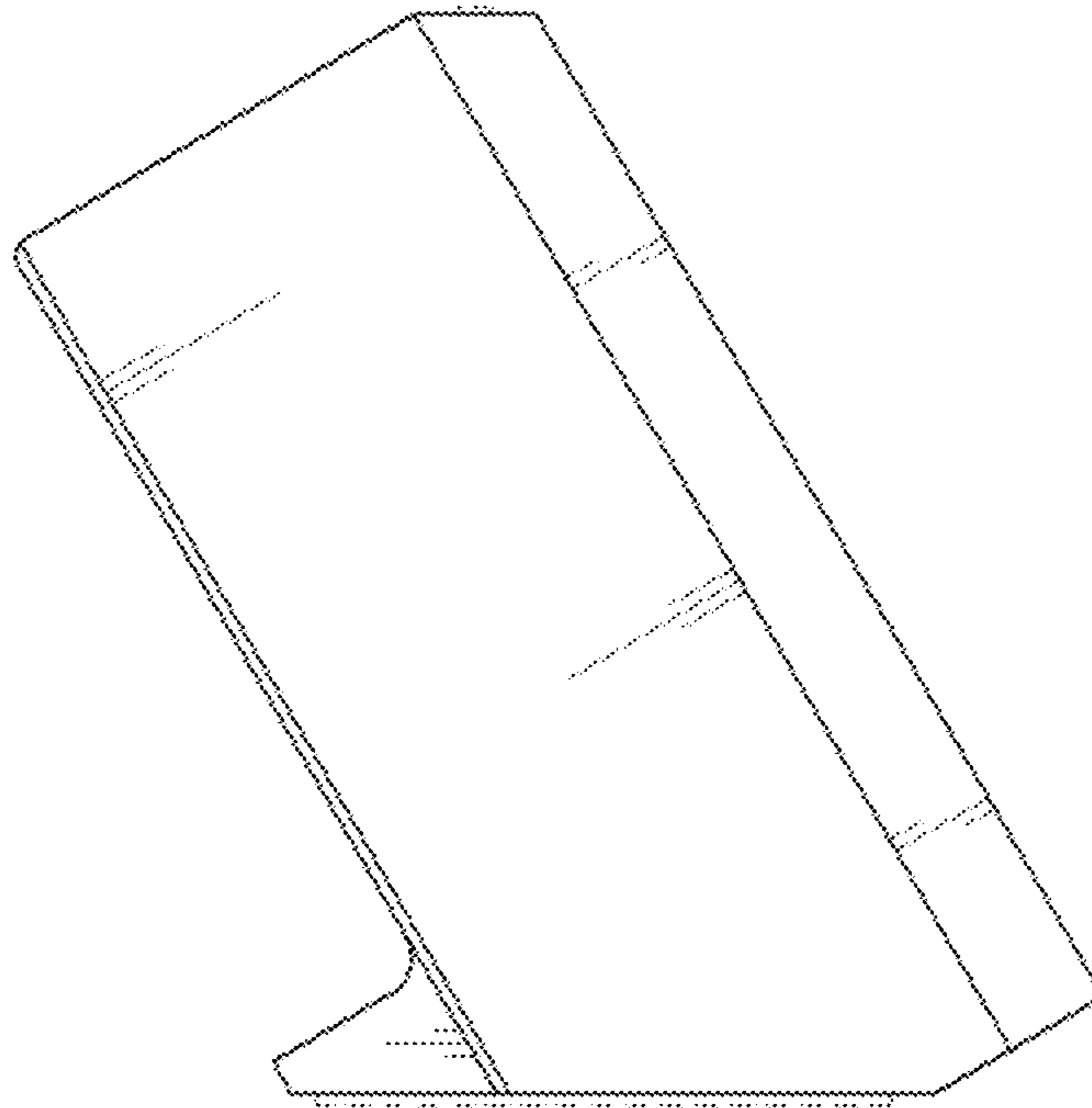
1.2



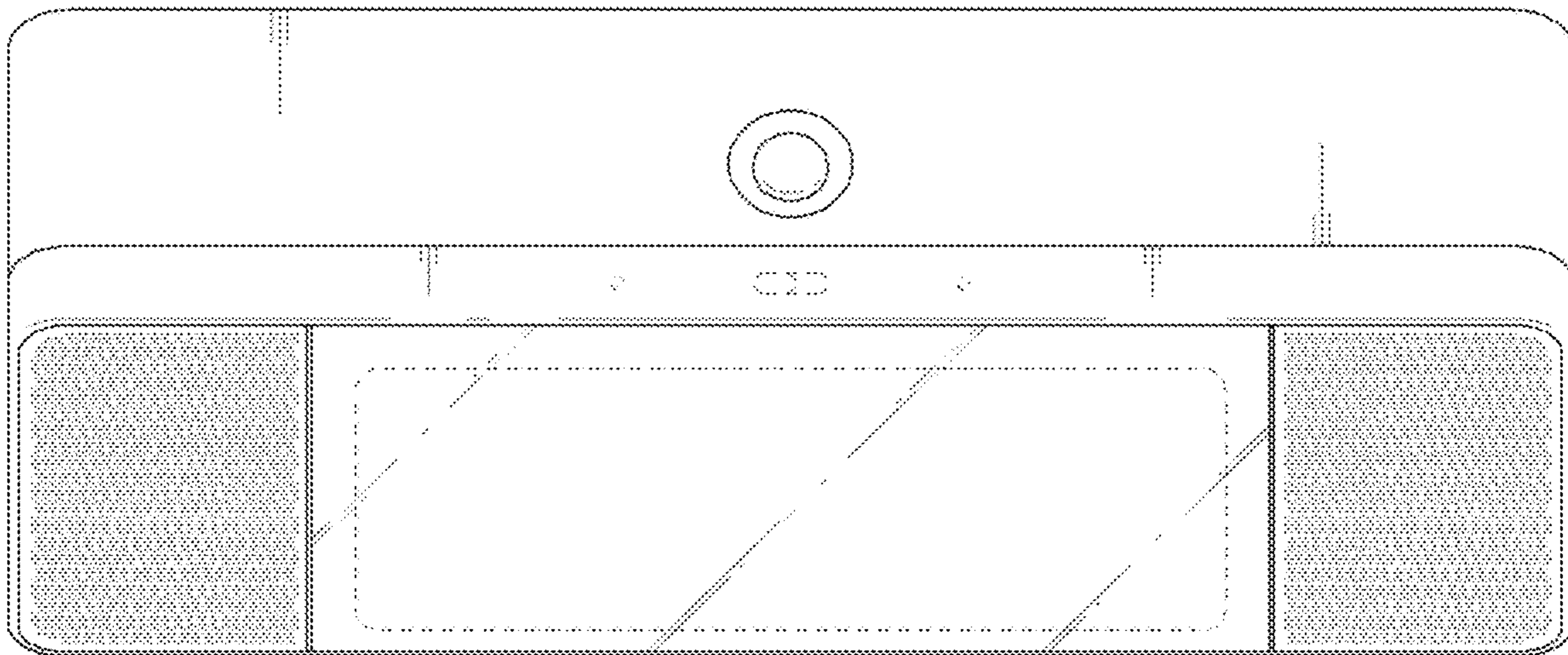
1.3



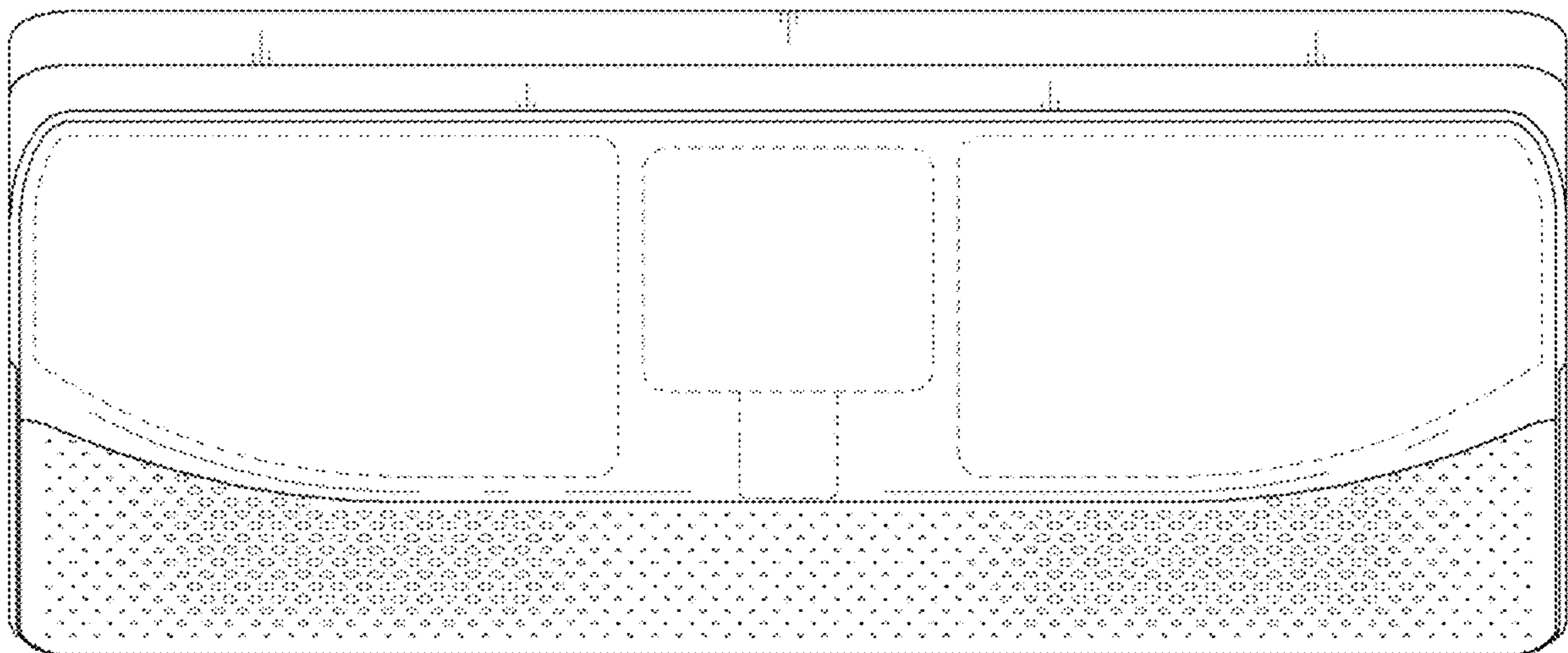
1.4



1.5



1.6





1.7

