



US00D873792S

(12) **United States Design Patent**  
**Tong**

(10) **Patent No.:** **US D873,792 S**  
(45) **Date of Patent:** **\*\* Jan. 28, 2020**

(54) **HEADPHONE**

**DESCRIPTION**

- (71) Applicant: **RAZER (ASIA-PACIFIC) PTE. LTD.**,  
Singapore (SG)
- (72) Inventor: **Ien Yu Tong**, Johor (MY)
- (73) Assignee: **RAZER (ASIA-PACIFIC) PTE. LTD.**,  
Singapore (SG)
- (\*\*) Term: **15 Years**
- (21) Appl. No.: **29/657,992**
- (22) Filed: **Jul. 26, 2018**
- (51) **LOC (12) Cl.** ..... **14-01**
- (52) **U.S. Cl.**  
USPC ..... **D14/206; D14/226**
- (58) **Field of Classification Search**  
USPC ..... **D14/206, 226, 205; 181/129, 130, 135;**  
**379/430, 431; 381/380, 381; 455/90.3,**  
**455/575.1, 569.1**

The patent or application file contains at least one drawing executed in color. Copies of this patent or patent application with color drawing(s) will be provided by the Office by request and payment of the necessary fee.

FIG. 1 is a perspective view of a first embodiment of a headphone, showing my new design;  
 FIG. 2 is a front elevational view thereof;  
 FIG. 3 is a rear elevational view thereof;  
 FIG. 4 is a left side elevational view thereof;  
 FIG. 5 is a right side elevational view thereof;  
 FIG. 6 is a top plan view thereof; and  
 FIG. 7 is a bottom plan view thereof.

FIG. 8 is a perspective view of a second embodiment of a headphone, the second embodiment being similar to the first embodiment except that the stippling is used to indicate a difference in color within the headphone;  
 FIG. 9 is a front elevational view thereof;  
 FIG. 10 is a rear elevational view thereof;  
 FIG. 11 is a left side elevational view thereof;  
 FIG. 12 is a right side elevational view thereof;  
 FIG. 13 is a top plan view thereof; and  
 FIG. 14 is a bottom plan view thereof.

FIG. 15 is a color, perspective view of a third embodiment of a headphone, the third embodiment being similar to the first except that areas of certain colors are indicated within the design;  
 FIG. 16 is a color, front elevational view thereof;  
 FIG. 17 is a color, rear elevational view thereof;  
 FIG. 18 is a color, left side elevational view thereof;  
 FIG. 19 is a color, right side elevational view thereof;  
 FIG. 20 is a color, top plan view thereof; and,  
 FIG. 21 is a color, bottom plan view thereof.

Broken lines are for illustrating portions of the headphone which form no part of the claimed design.  
 Stippling is used to indicate a difference between color throughout the design.

(Continued)

(56) **References Cited**

**U.S. PATENT DOCUMENTS**

- 2,566,313 A \* 9/1951 Cates ..... H04R 25/55  
181/22
- 3,781,492 A \* 12/1973 Cragg ..... H04R 1/08  
379/430

(Continued)

**FOREIGN PATENT DOCUMENTS**

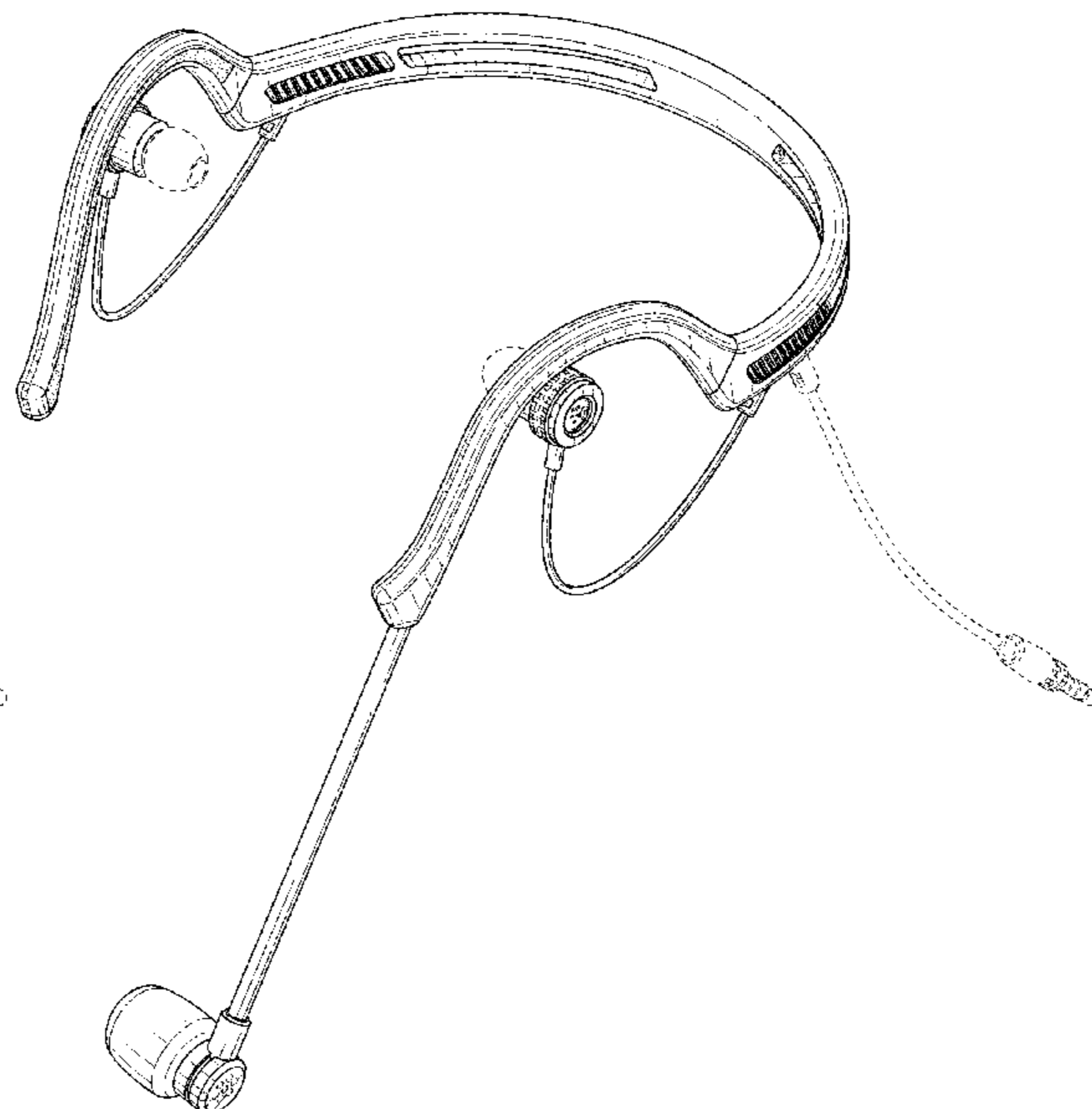
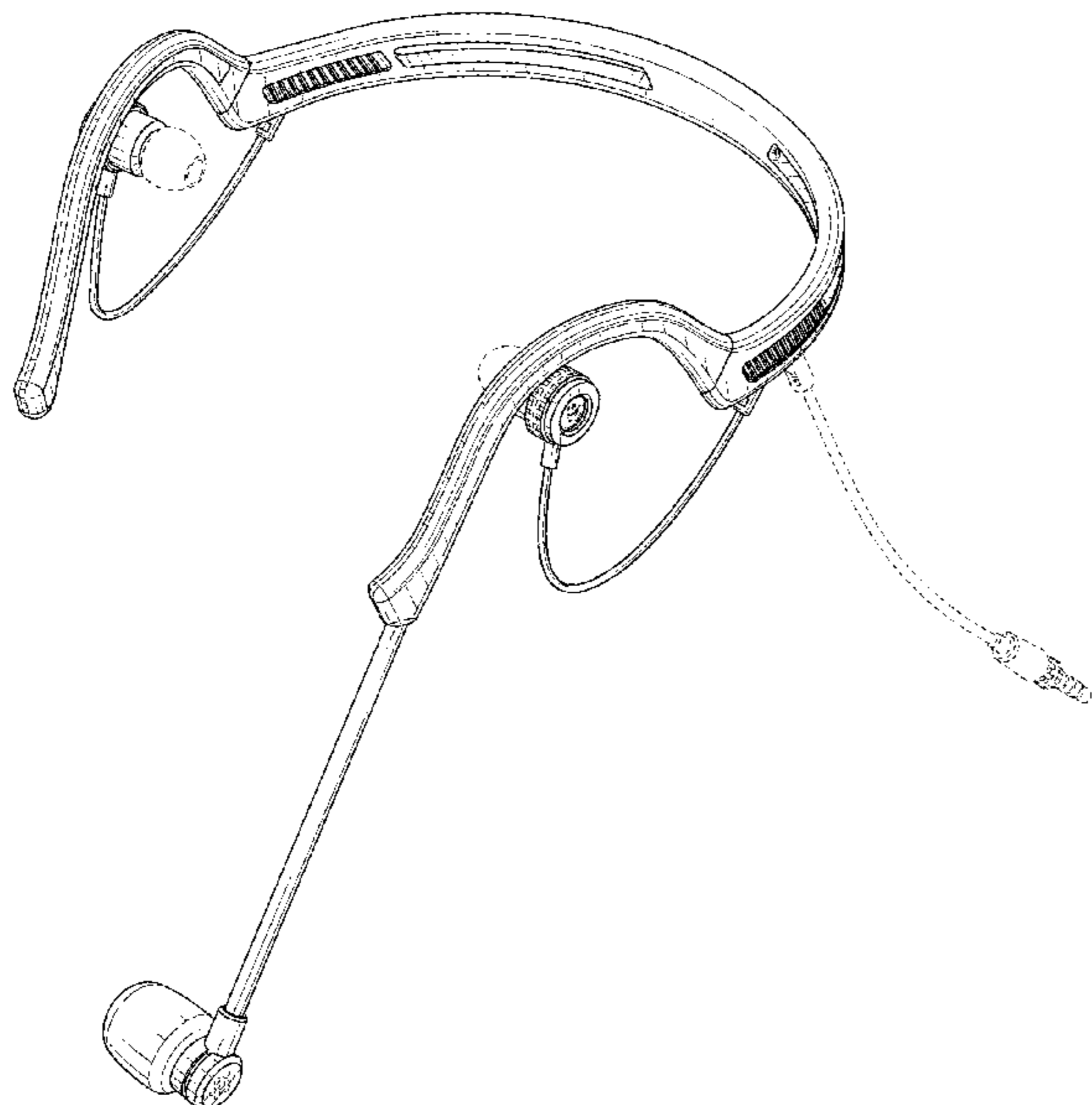
EM 003255744-0001 \* 6/2016

*Primary Examiner* — Paula Allen Greene  
(74) *Attorney, Agent, or Firm* — Polsinelli PC

(57) **CLAIM**

I claim the ornamental design for a headphone, as shown and described.

**1 Claim, 21 Drawing Sheets**  
**(4 of 21 Drawing Sheet(s) Filed in Color)**



(58) **Field of Classification Search**  
 CPC ..... H04R 25/00; H04R 25/02; H04R 1/1016;  
 H04R 1/1066; H04R 5/033; H04R  
 5/0335; H04R 1/1033; H04R 1/10; H04R  
 1/1041; H04R 1/105; H04R 1/1091;  
 H04R 1/1058; H04R 1/1075; H04R 19/04  
 See application file for complete search history.

(56) **References Cited**

U.S. PATENT DOCUMENTS

4,420,657 A \* 12/1983 Larkin ..... H04M 1/05  
 181/129  
 D318,669 S \* 7/1991 Nakayama ..... D14/205  
 D331,057 S \* 11/1992 Isonaga ..... D14/205  
 D361,066 S \* 8/1995 Langhorn ..... D14/142  
 5,457,751 A \* 10/1995 Such ..... H04M 1/05  
 348/115  
 D403,681 S \* 1/1999 Lam ..... D14/206  
 D404,734 S \* 1/1999 Andrea ..... D14/206  
 D420,007 S \* 2/2000 Marshall ..... D14/206  
 D426,880 S \* 6/2000 Leight ..... D14/223  
 6,097,827 A \* 8/2000 Yang ..... H04R 1/1066  
 381/375  
 6,138,790 A \* 10/2000 Leight ..... A61F 11/12  
 128/857

6,178,251 B1 \* 1/2001 Luchs ..... H04R 1/083  
 381/362  
 6,456,721 B1 \* 9/2002 Fukuda ..... H04R 1/1066  
 381/151  
 6,560,346 B2 \* 5/2003 Ohta ..... H04R 1/083  
 381/370  
 6,625,293 B1 \* 9/2003 Nageno ..... H04R 1/08  
 181/20  
 6,690,808 B2 \* 2/2004 Urwyler ..... H04R 1/1033  
 381/327  
 6,920,228 B2 \* 7/2005 Redmer ..... H04R 1/1058  
 381/370  
 D565,557 S \* 4/2008 Kaneda ..... D14/206  
 D575,268 S \* 8/2008 Christopher ..... D14/205  
 D578,508 S \* 10/2008 Wang ..... D14/206  
 D587,678 S \* 3/2009 Yuyama ..... D14/205  
 D588,099 S \* 3/2009 Yuyama ..... D14/205  
 D817,302 S \* 5/2018 Birath ..... D14/205  
 D823,280 S \* 7/2018 Guilfoyle ..... D14/206  
 D842,839 S \* 3/2019 Klein ..... D14/206  
 D843,347 S \* 3/2019 Bryant ..... D14/206  
 2002/0048385 A1 \* 4/2002 Rosenberg ..... H04M 1/05  
 381/374  
 2010/0111349 A1 \* 5/2010 Devlas ..... H04R 1/1033  
 381/380  
 2017/0295419 A1 \* 10/2017 Poulsen ..... H04R 5/04

\* cited by examiner

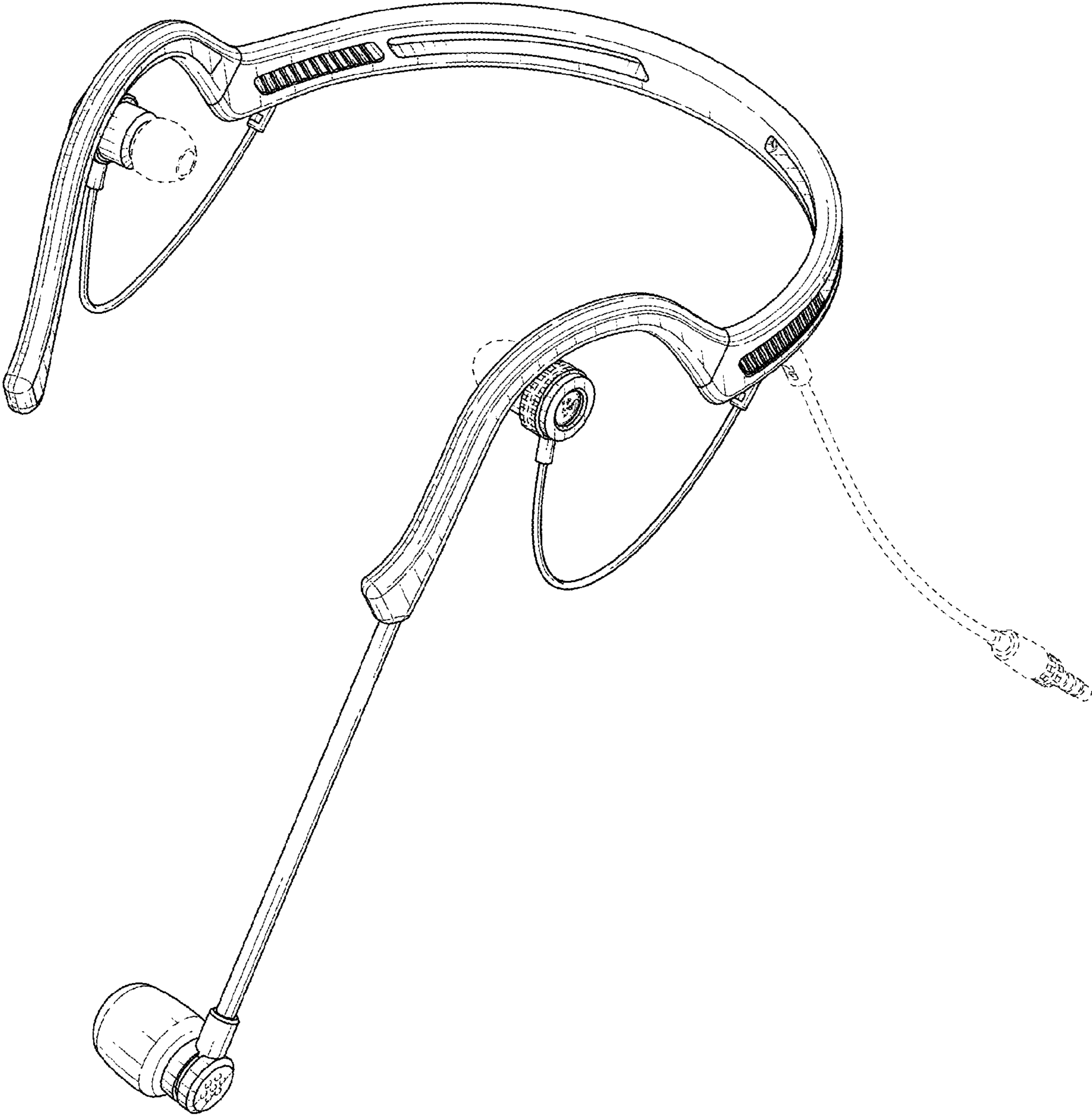


FIG. 1

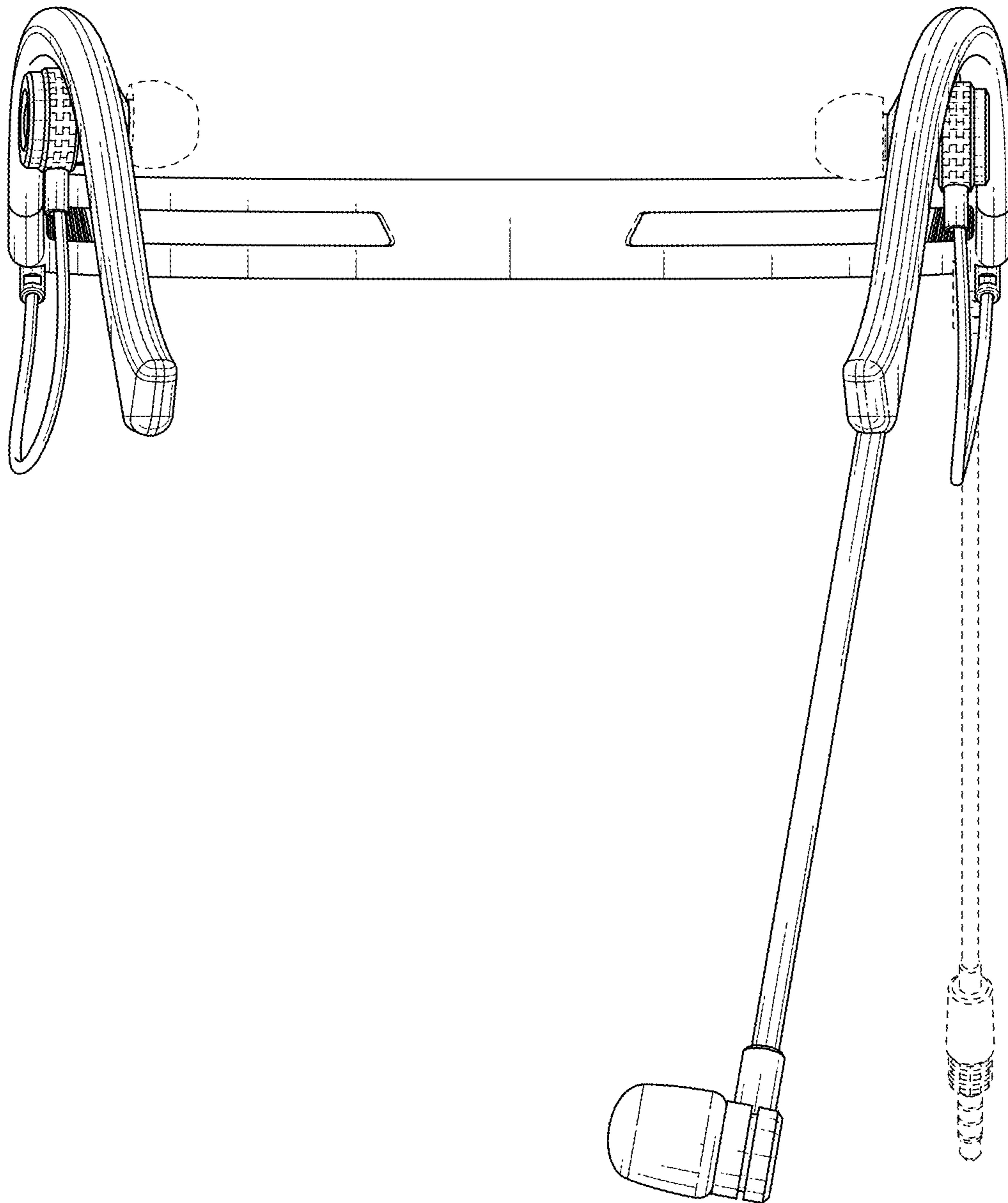


FIG. 2

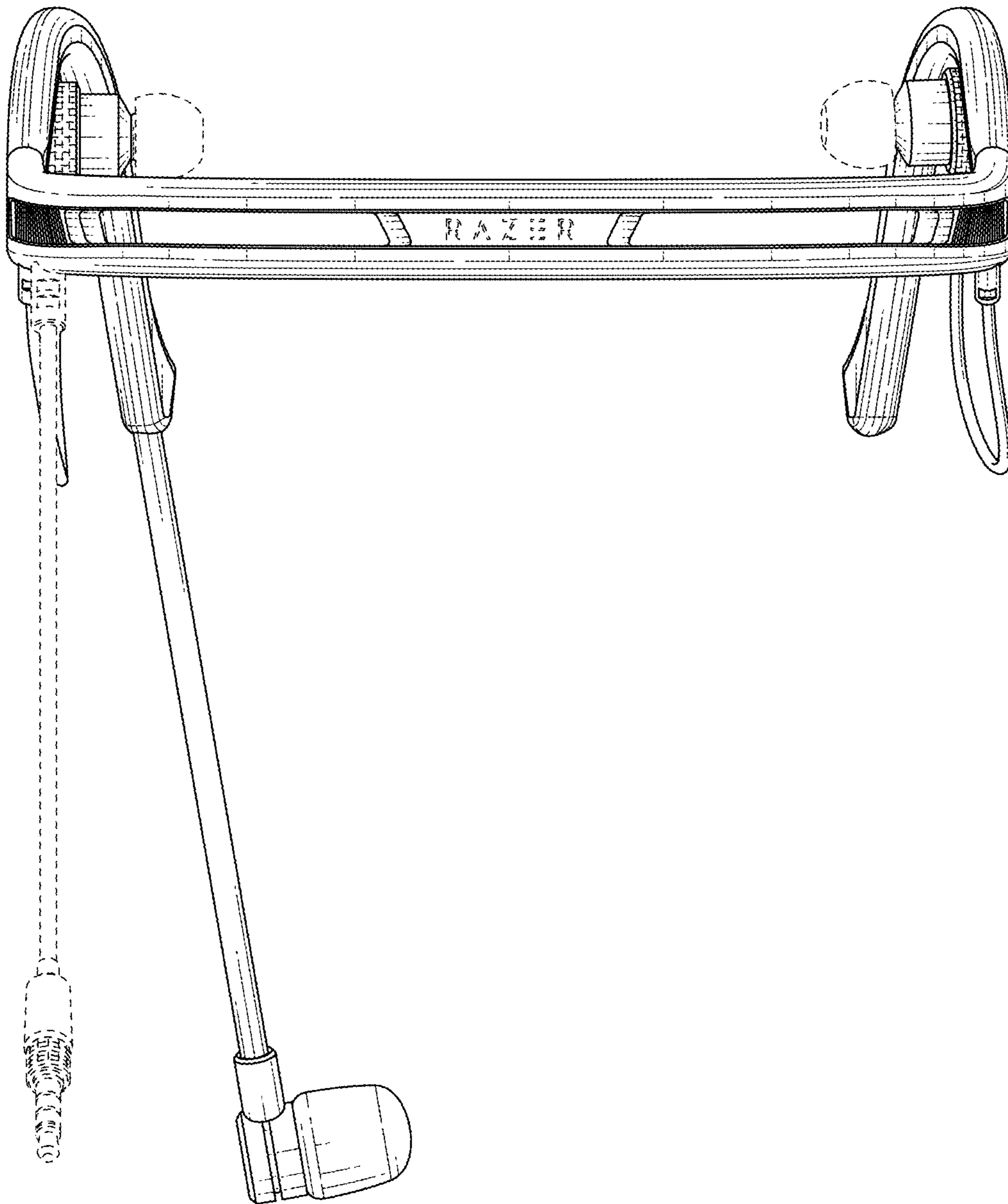


FIG. 3

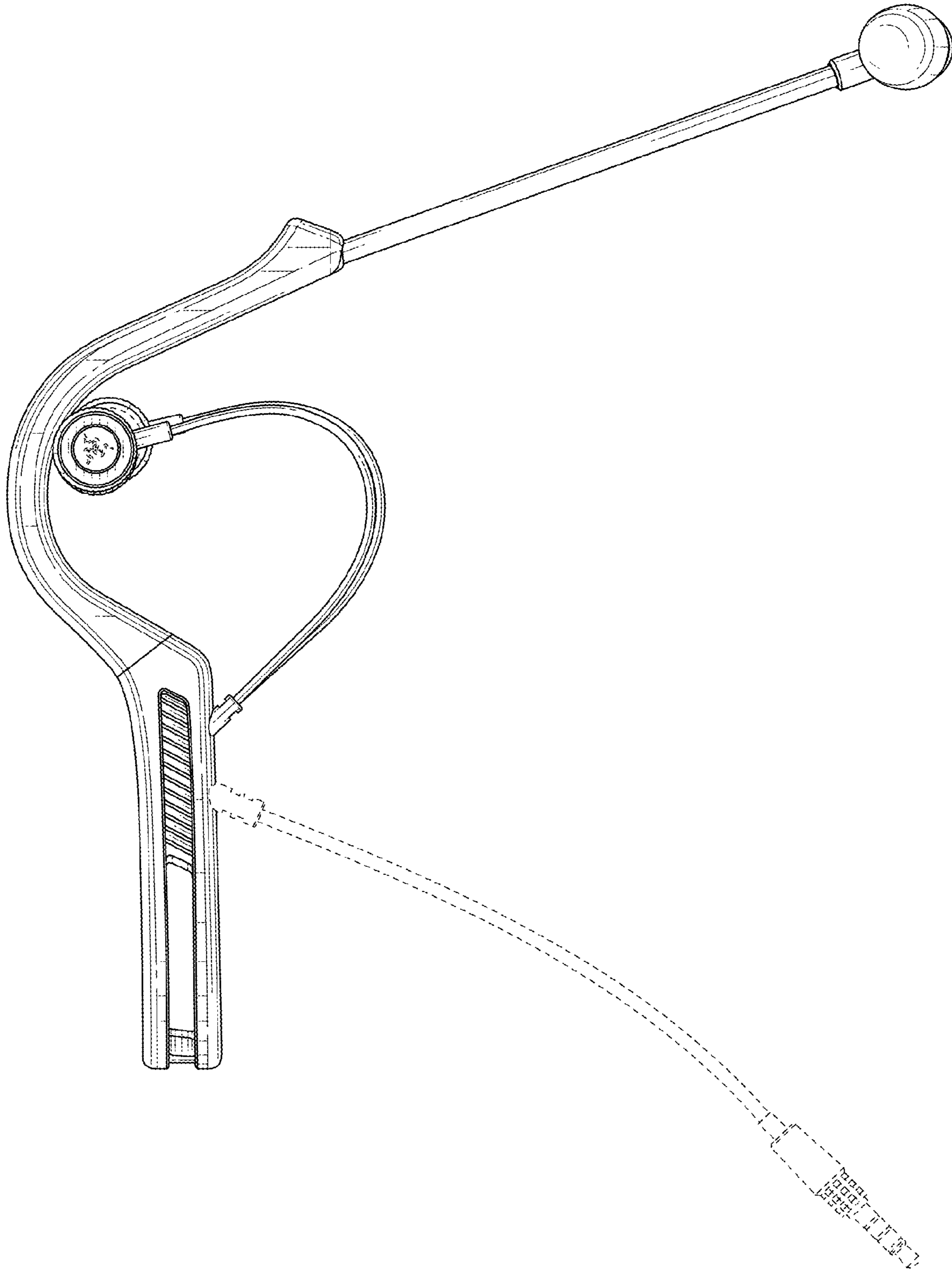


FIG. 4

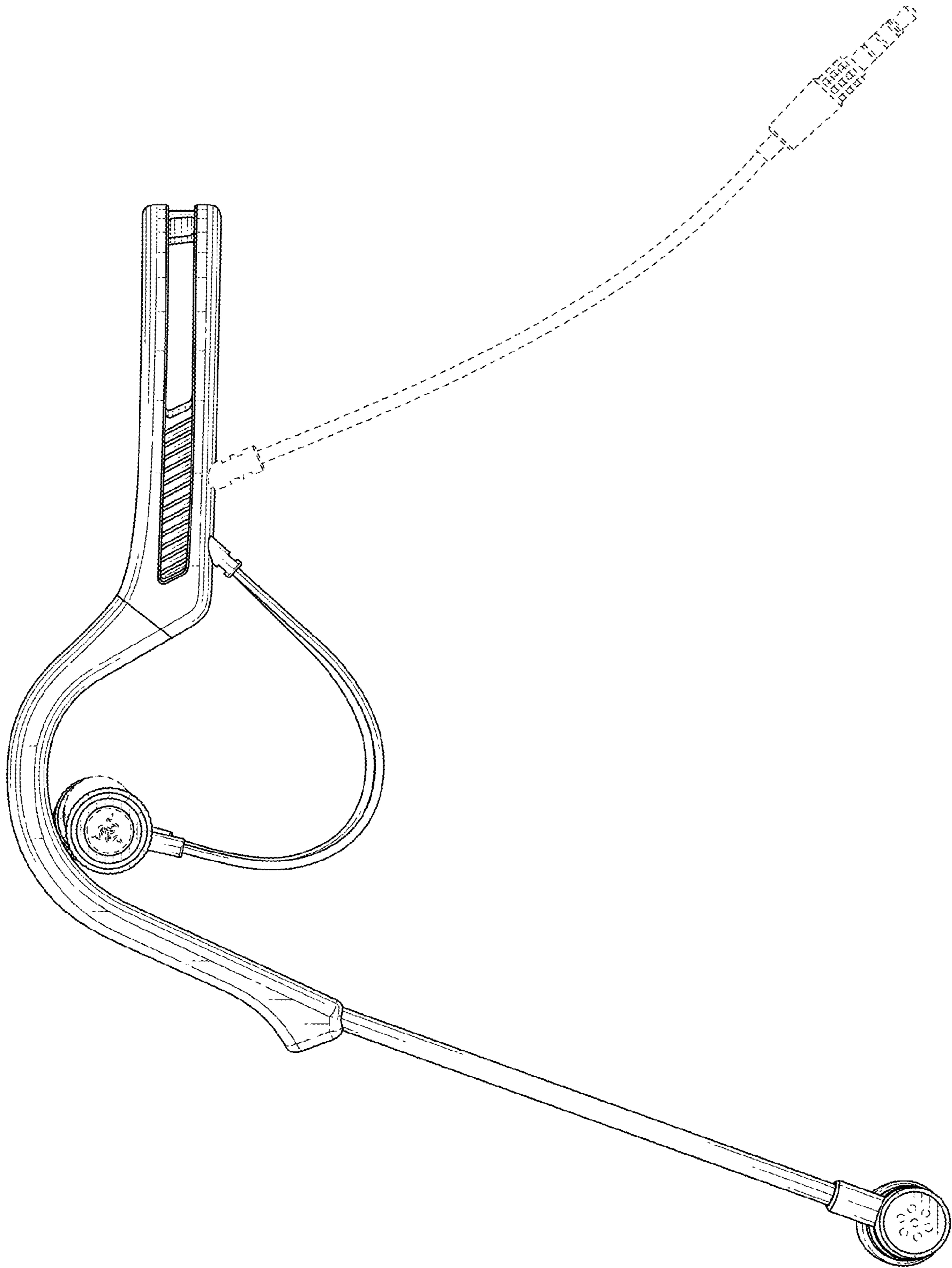


FIG. 5

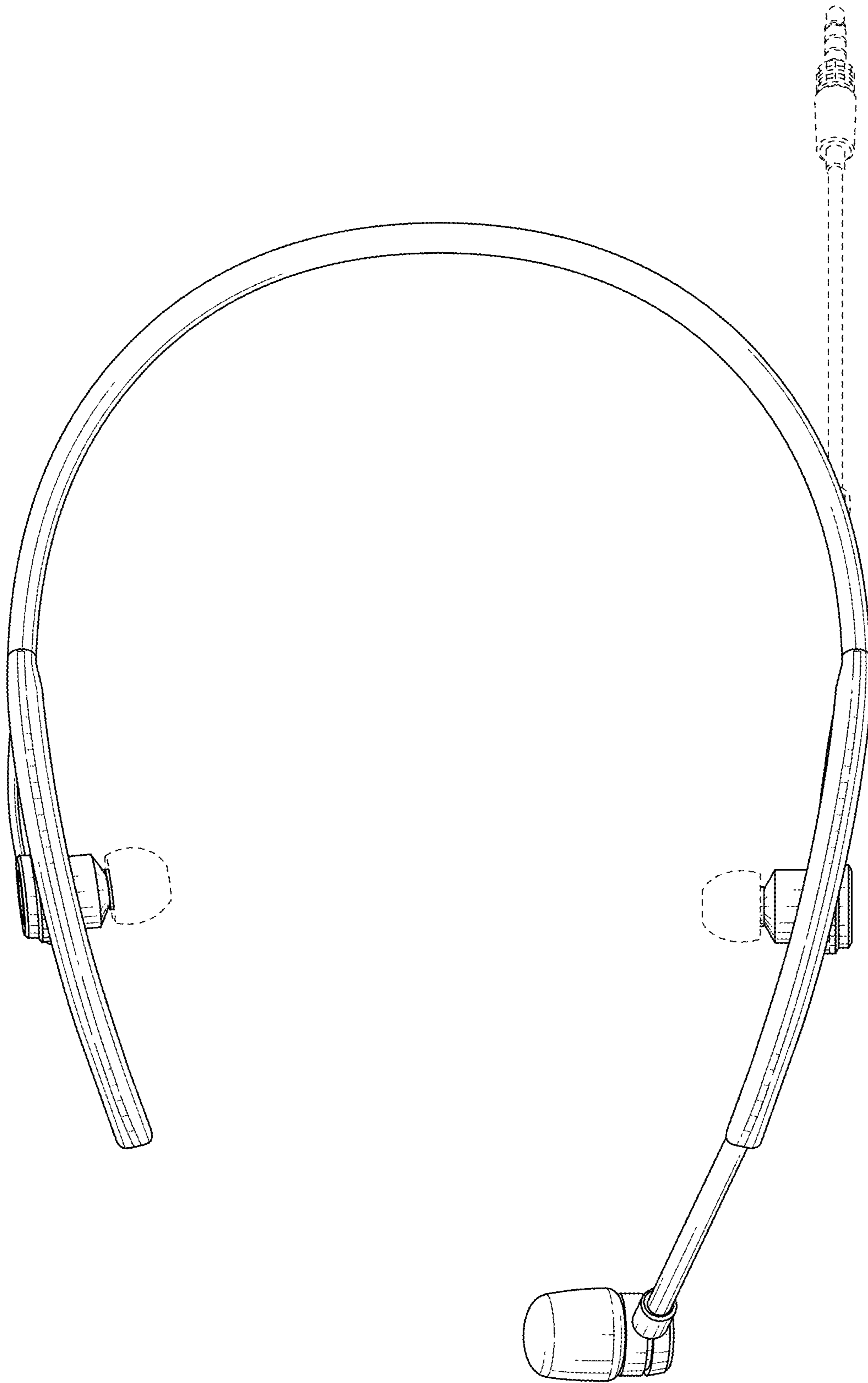


FIG. 6



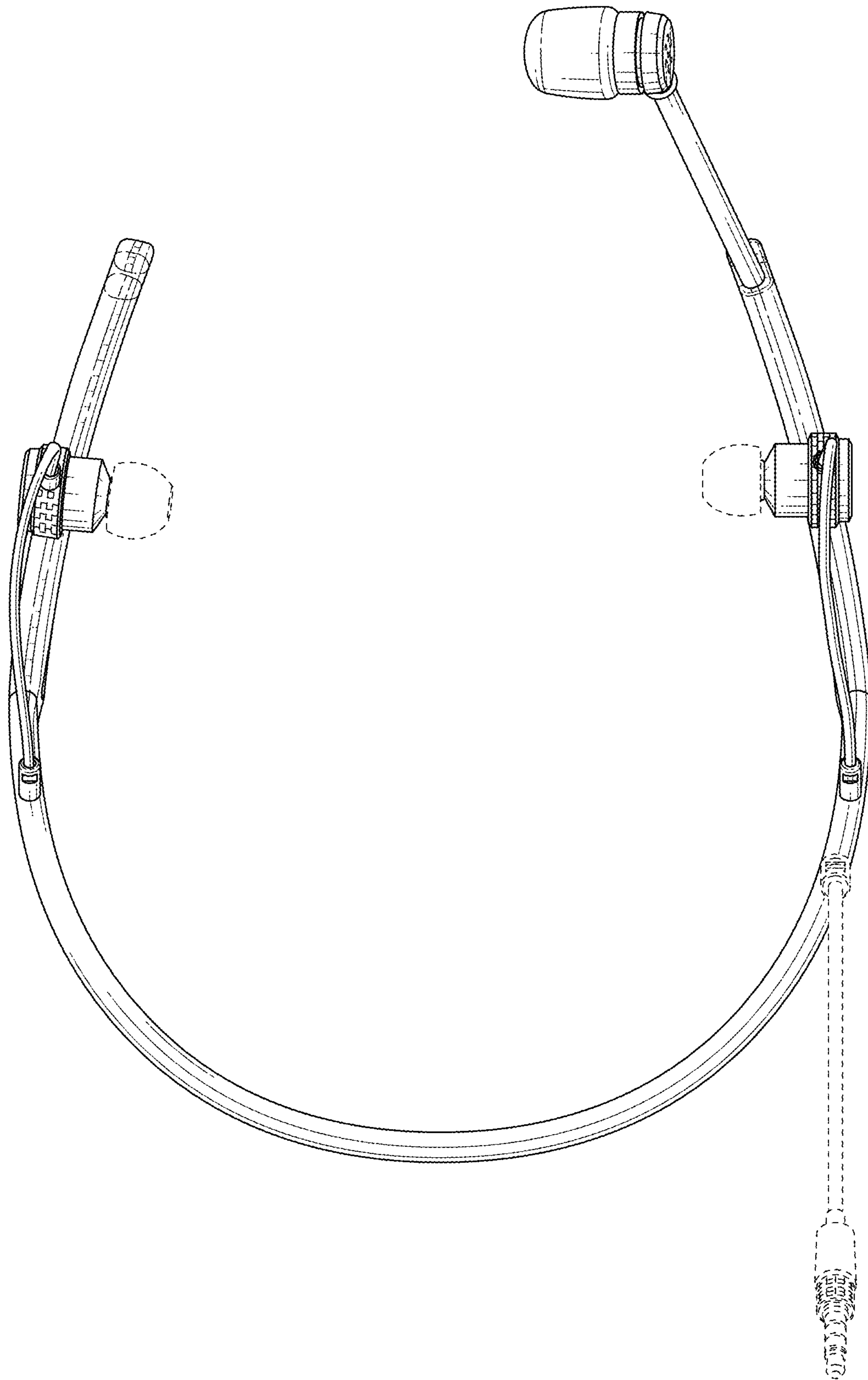


FIG. 7



FIG. 8

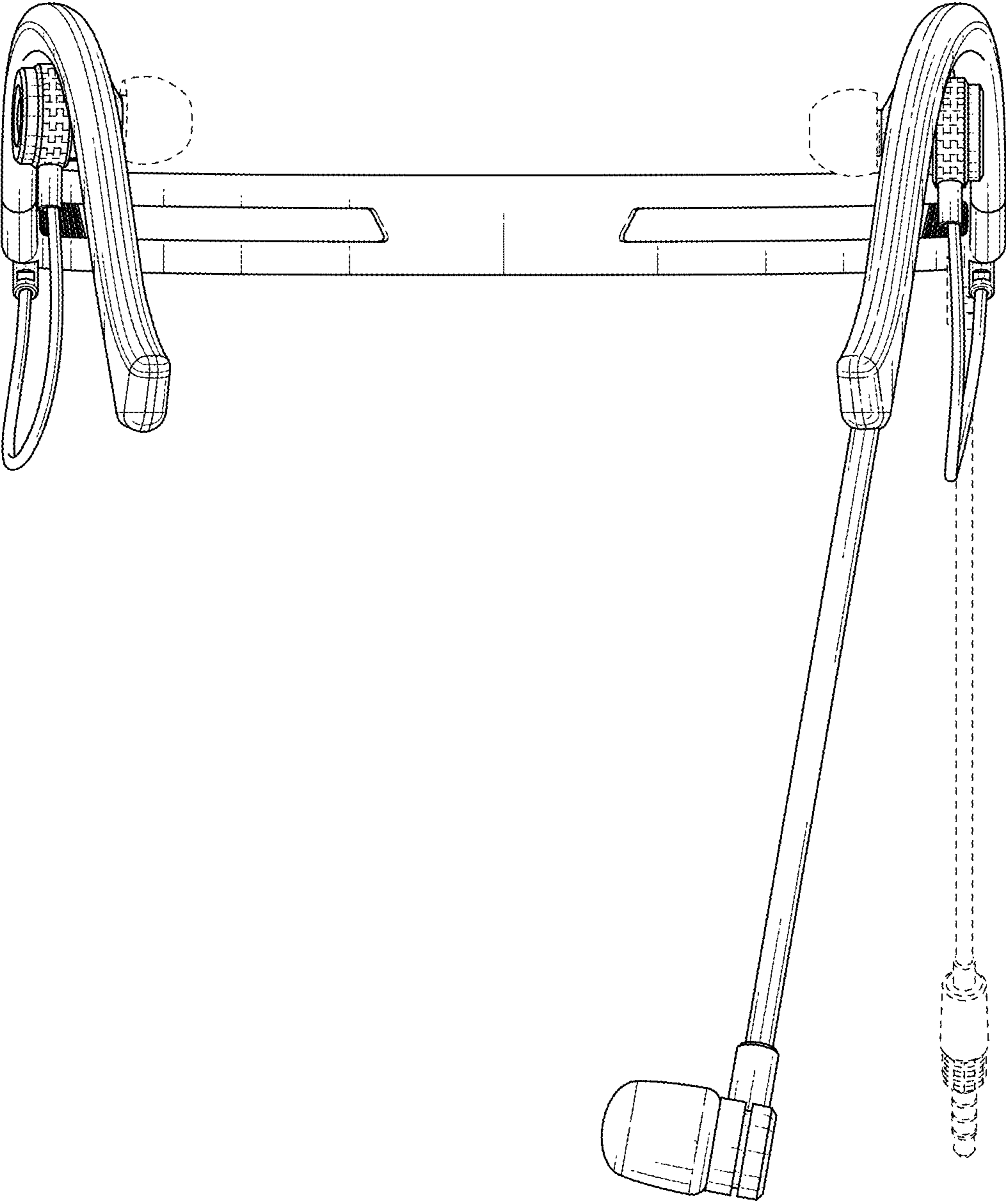


FIG. 9

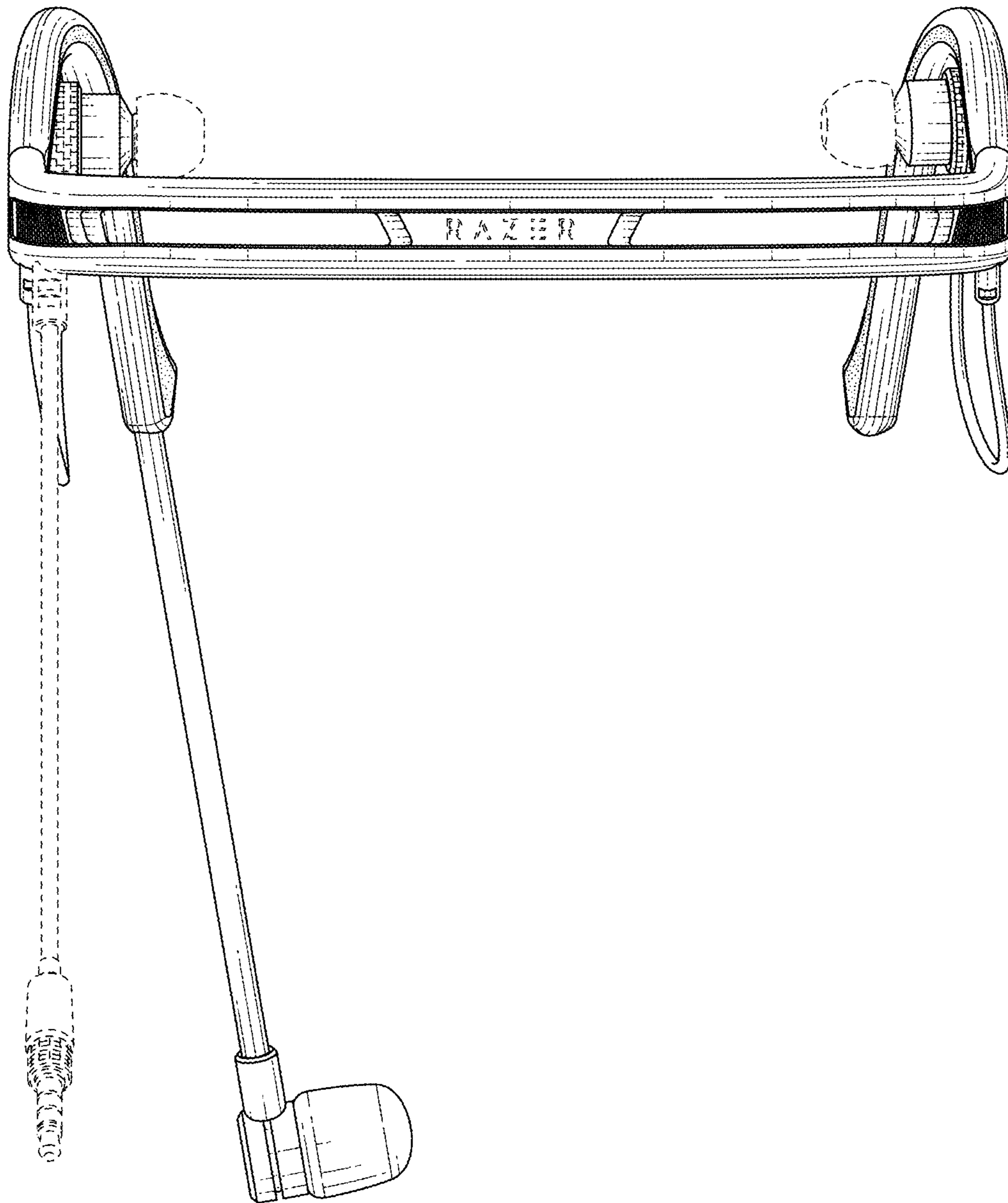


FIG. 10

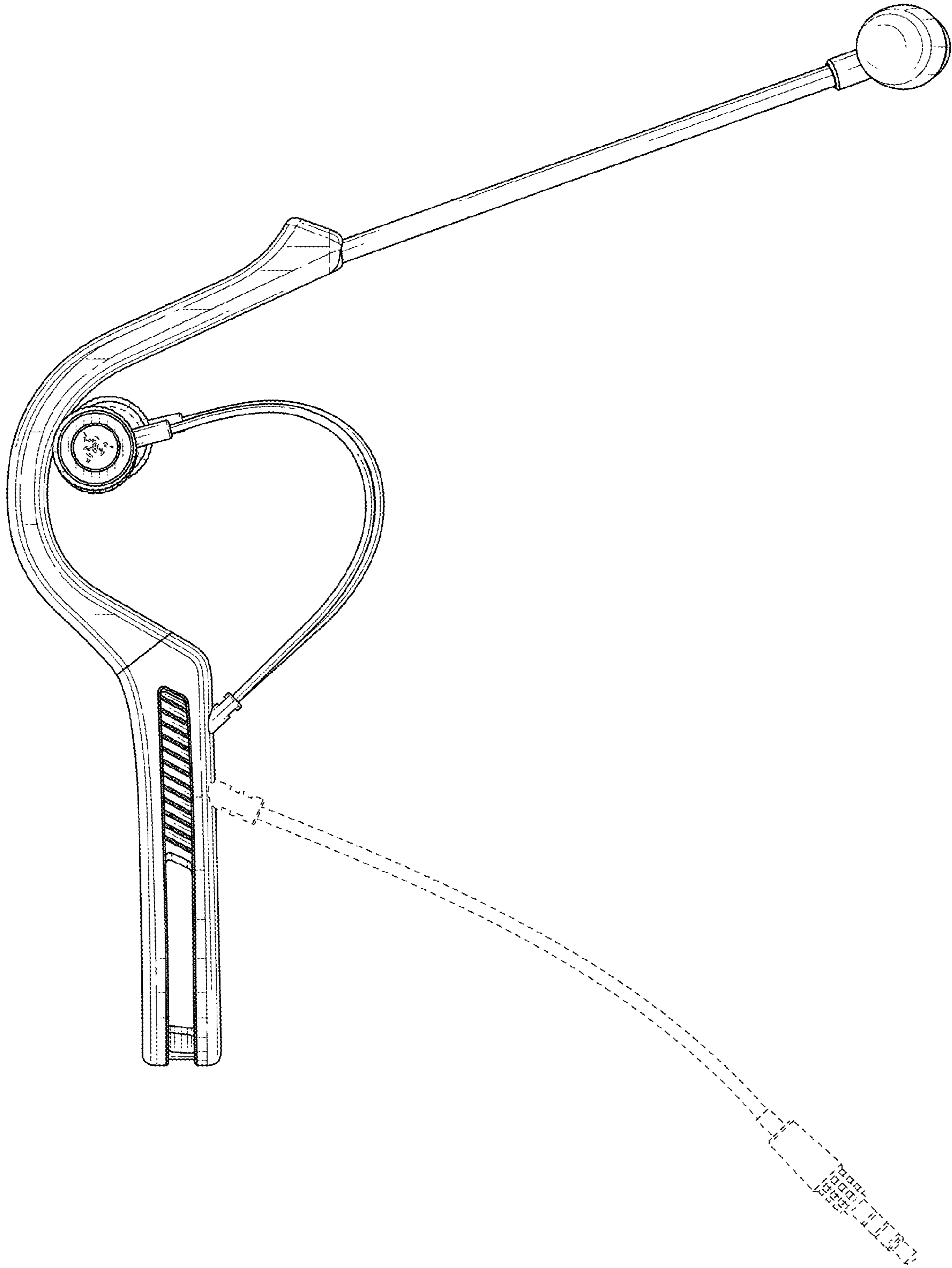


FIG. 11

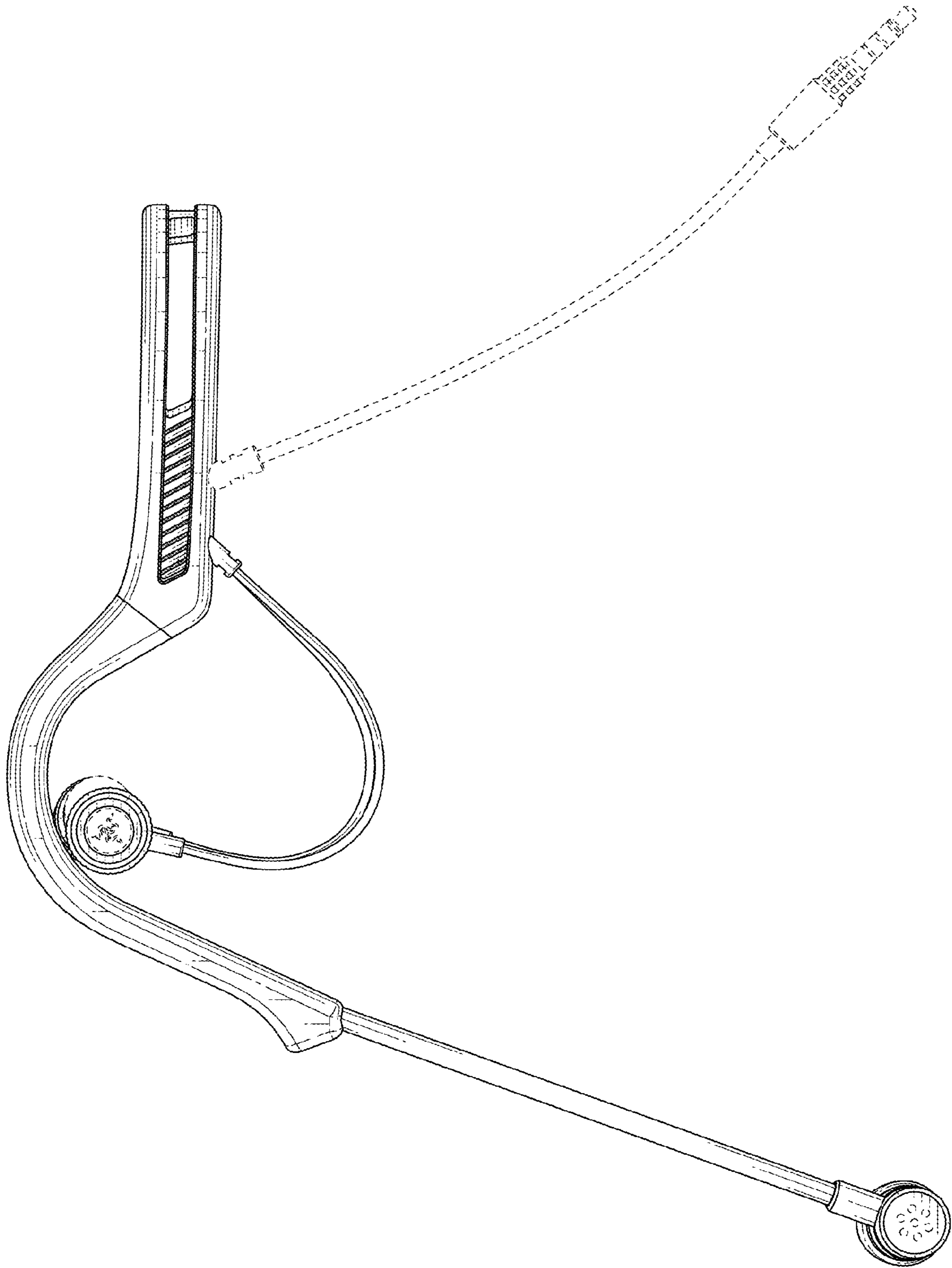


FIG. 12

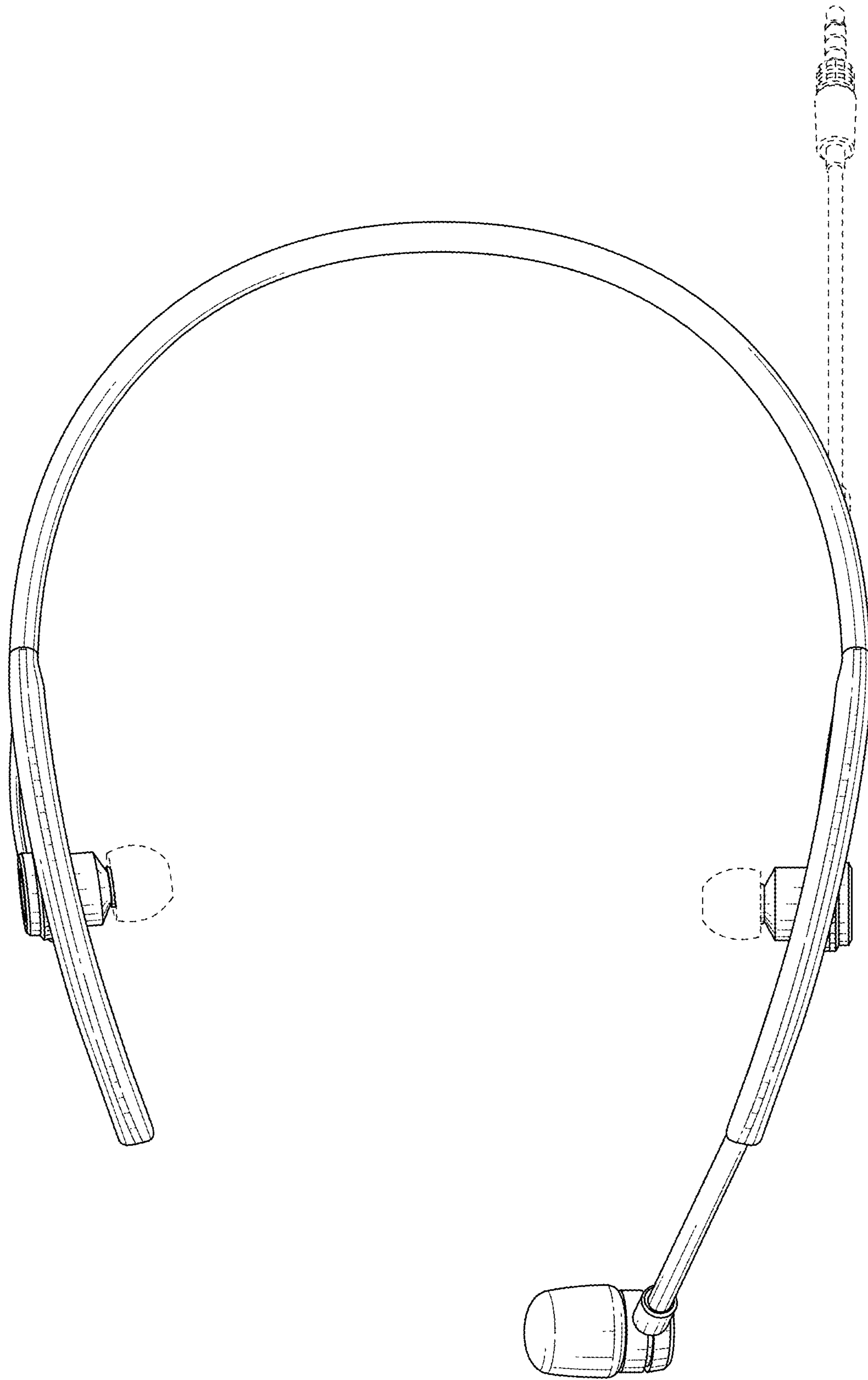


FIG. 13

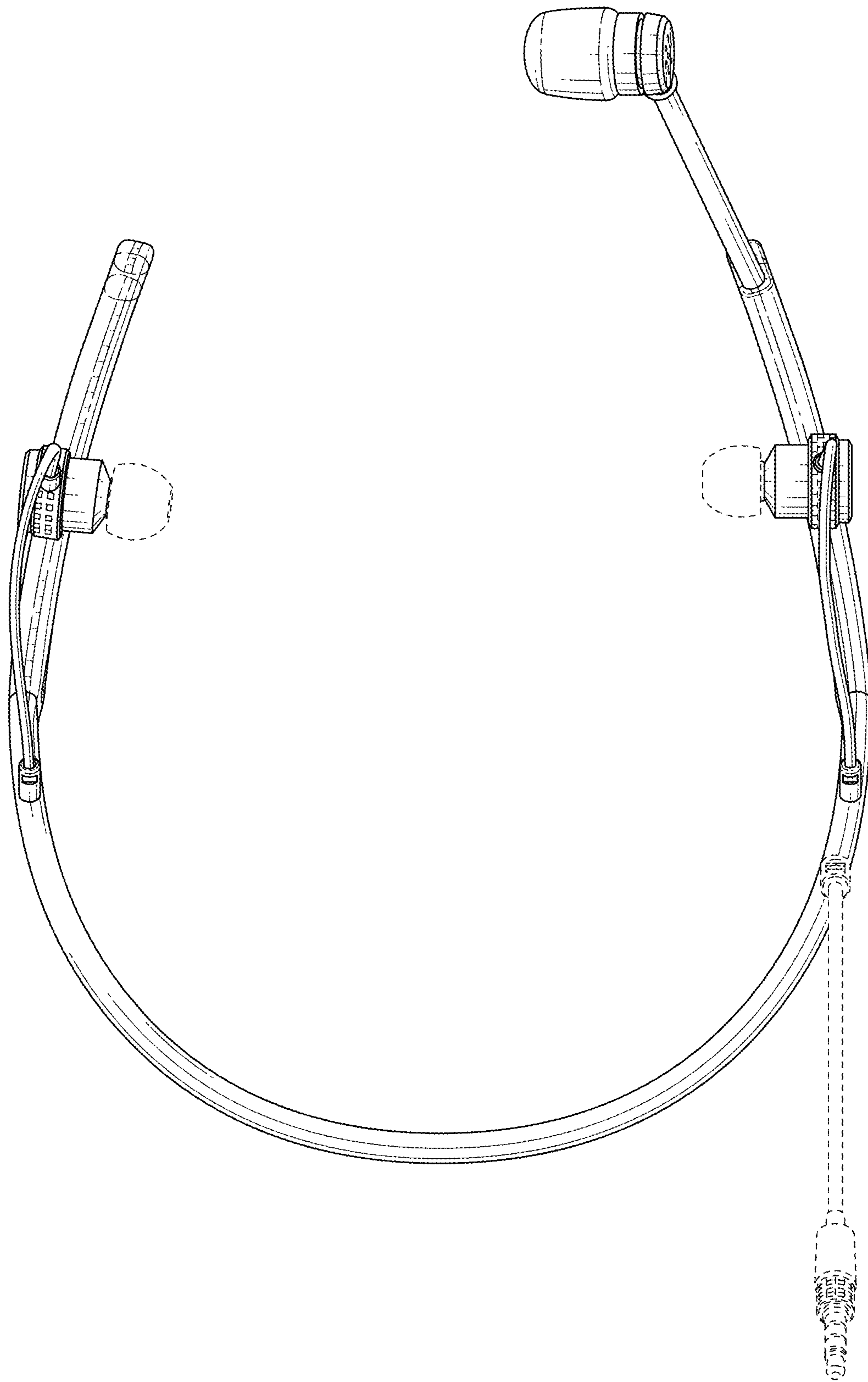


FIG. 14





FIG. 15

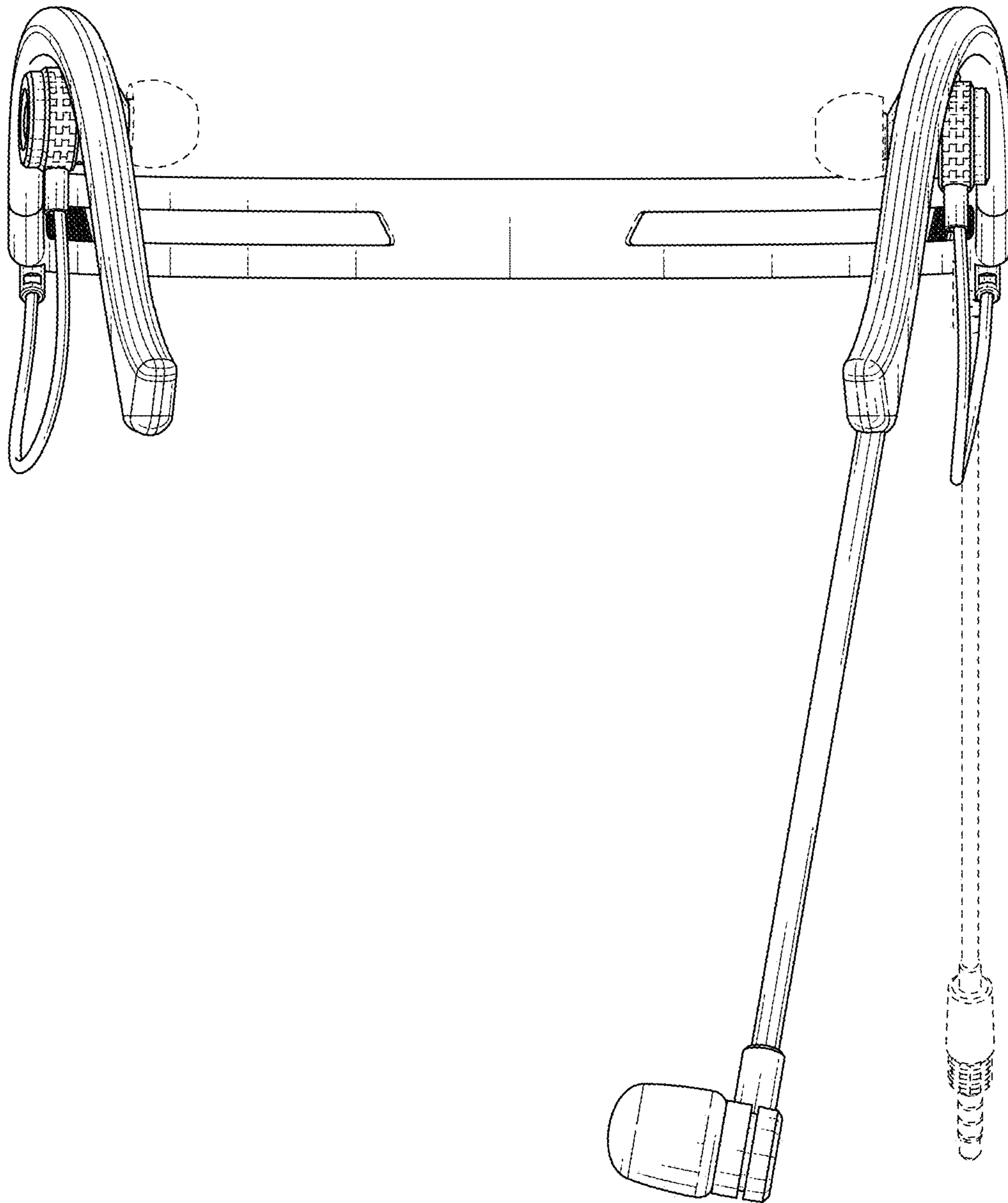


FIG. 16

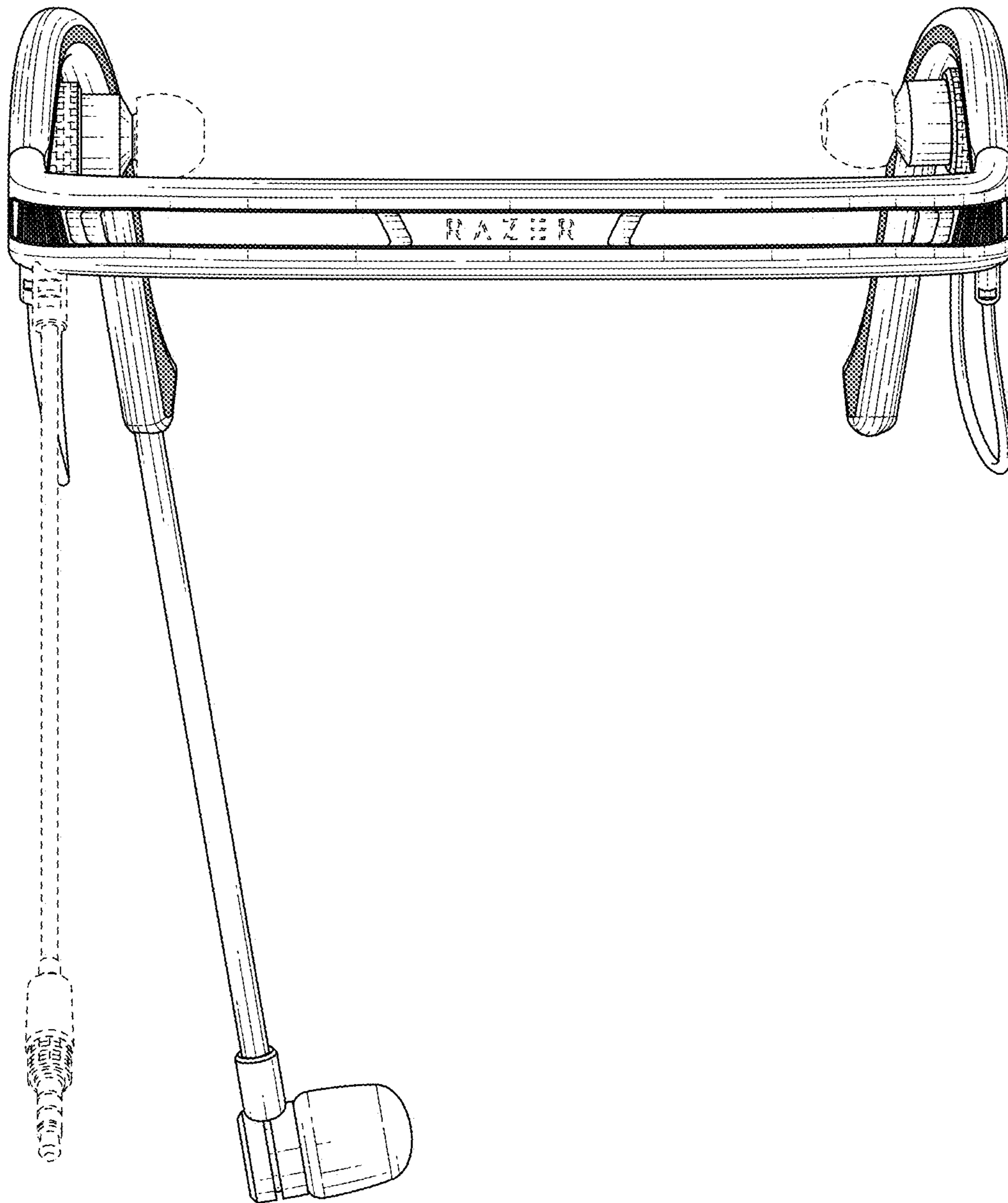


FIG. 17

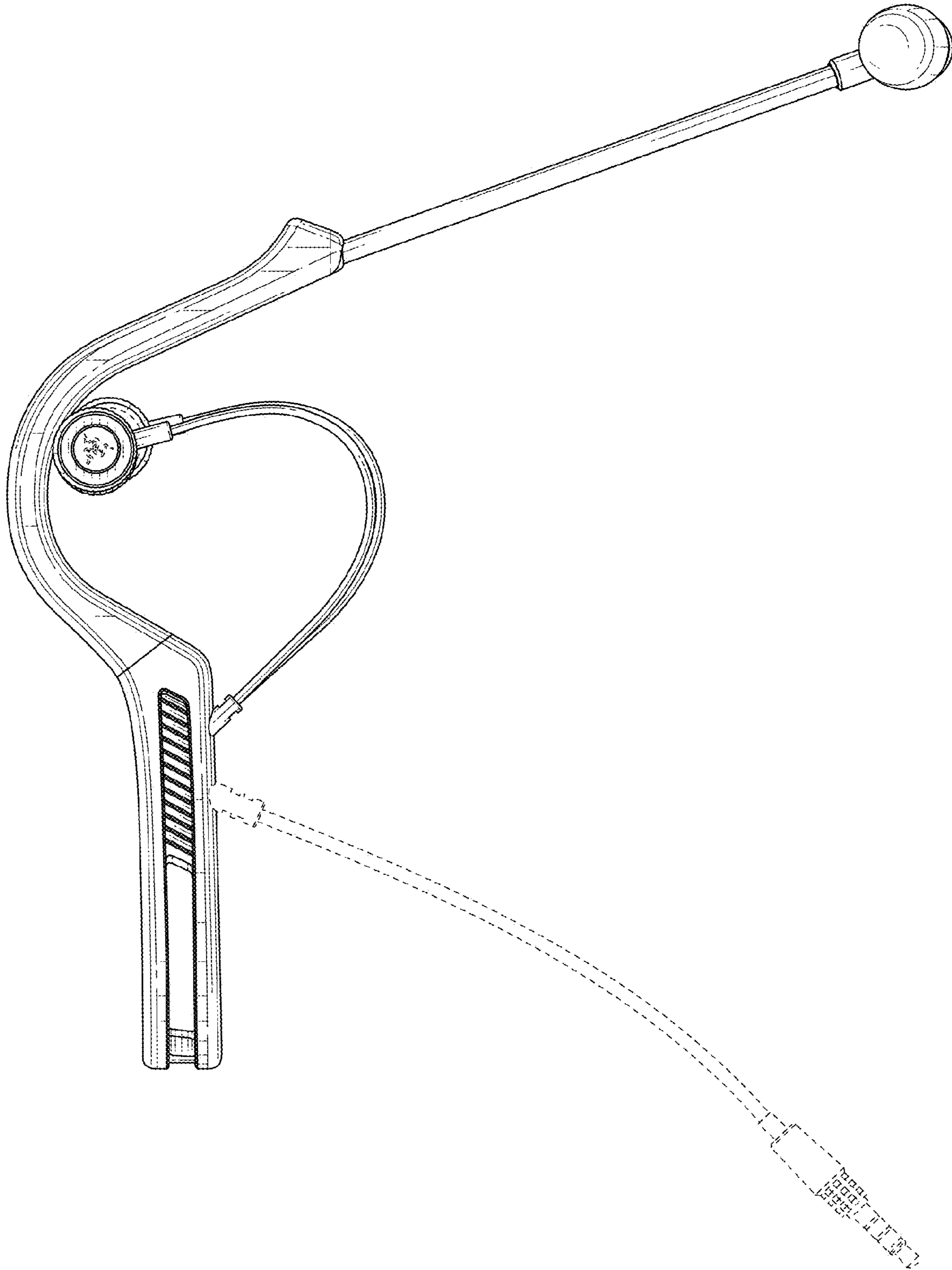


FIG. 18

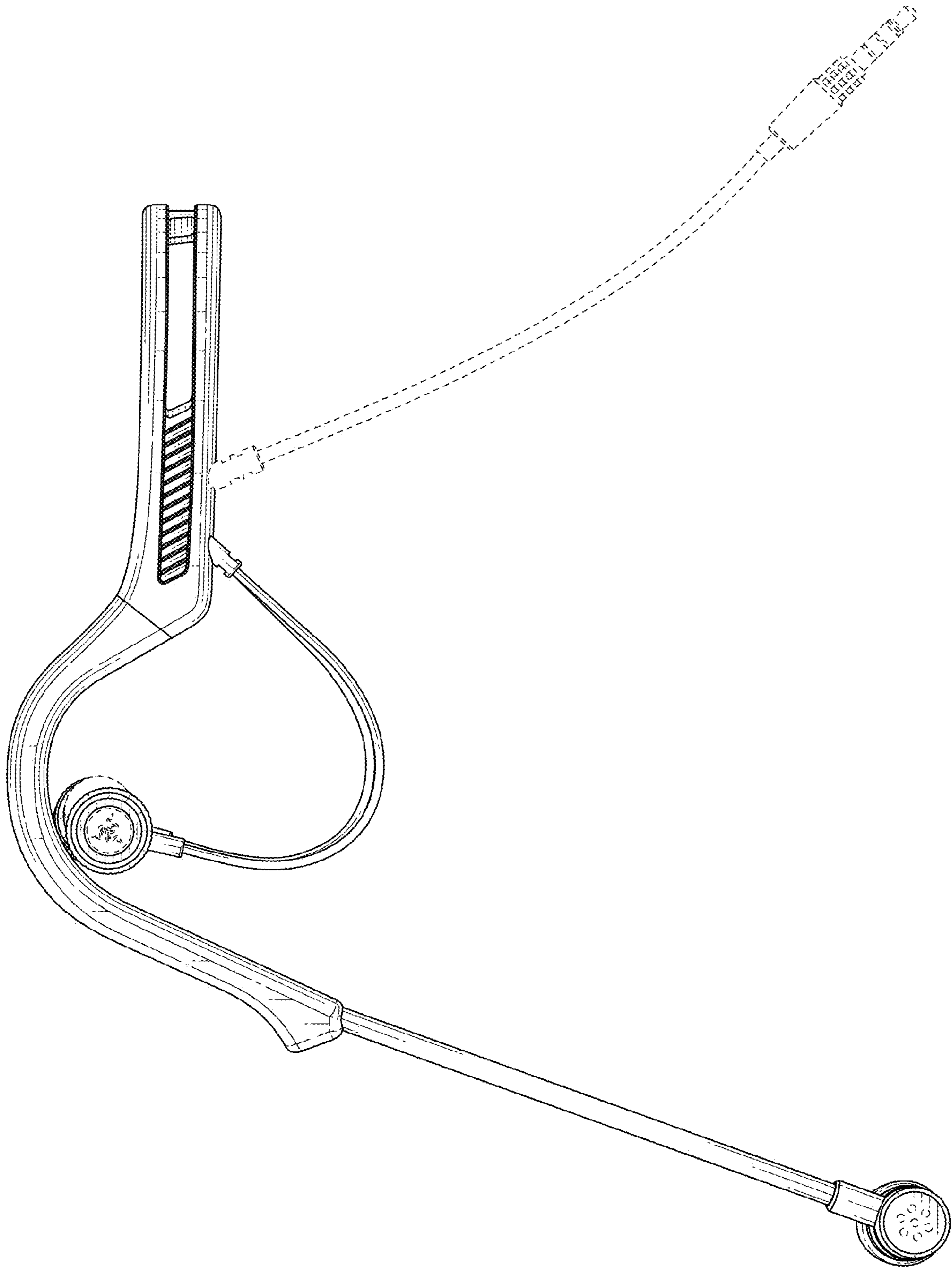


FIG. 19

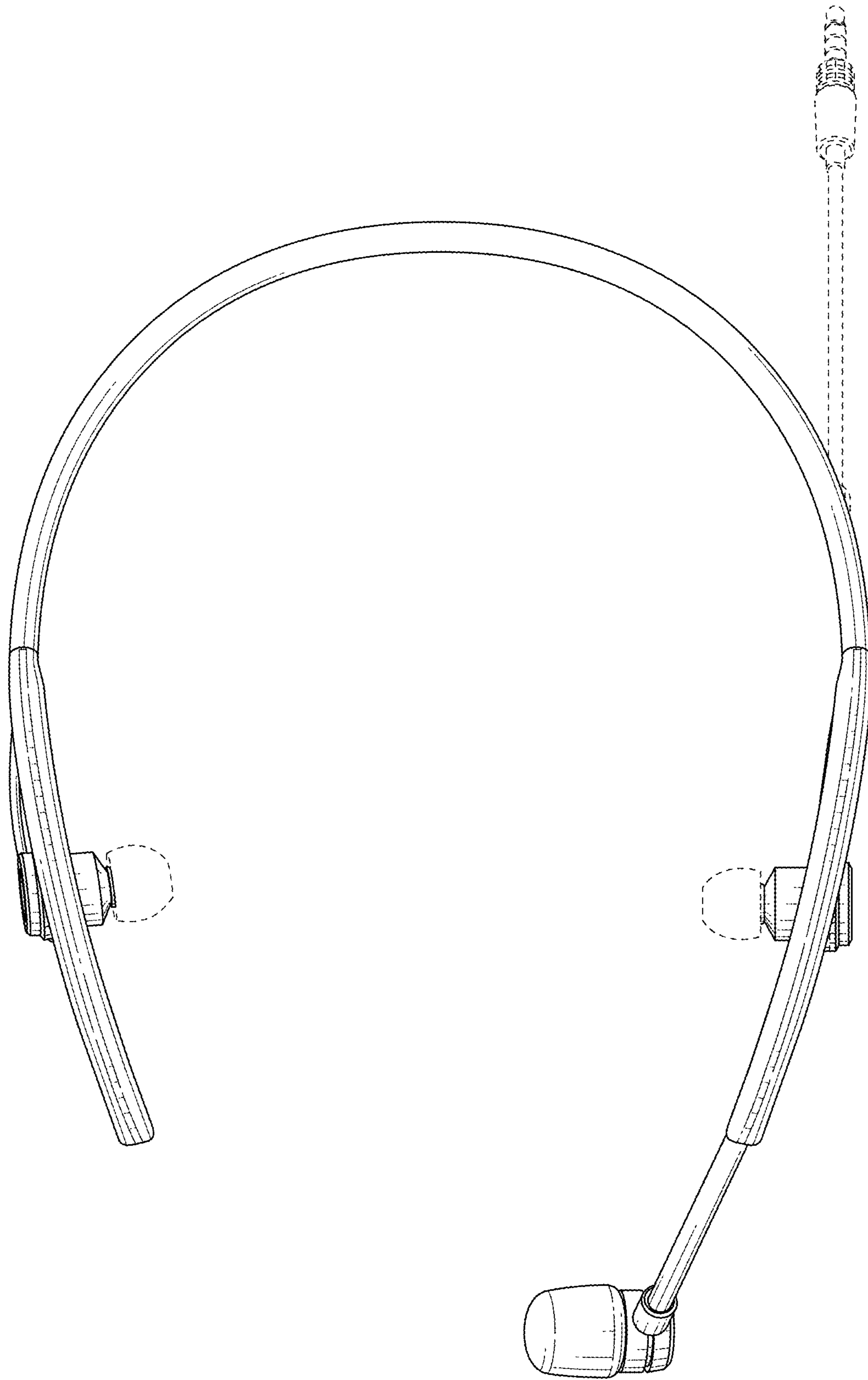


FIG. 20

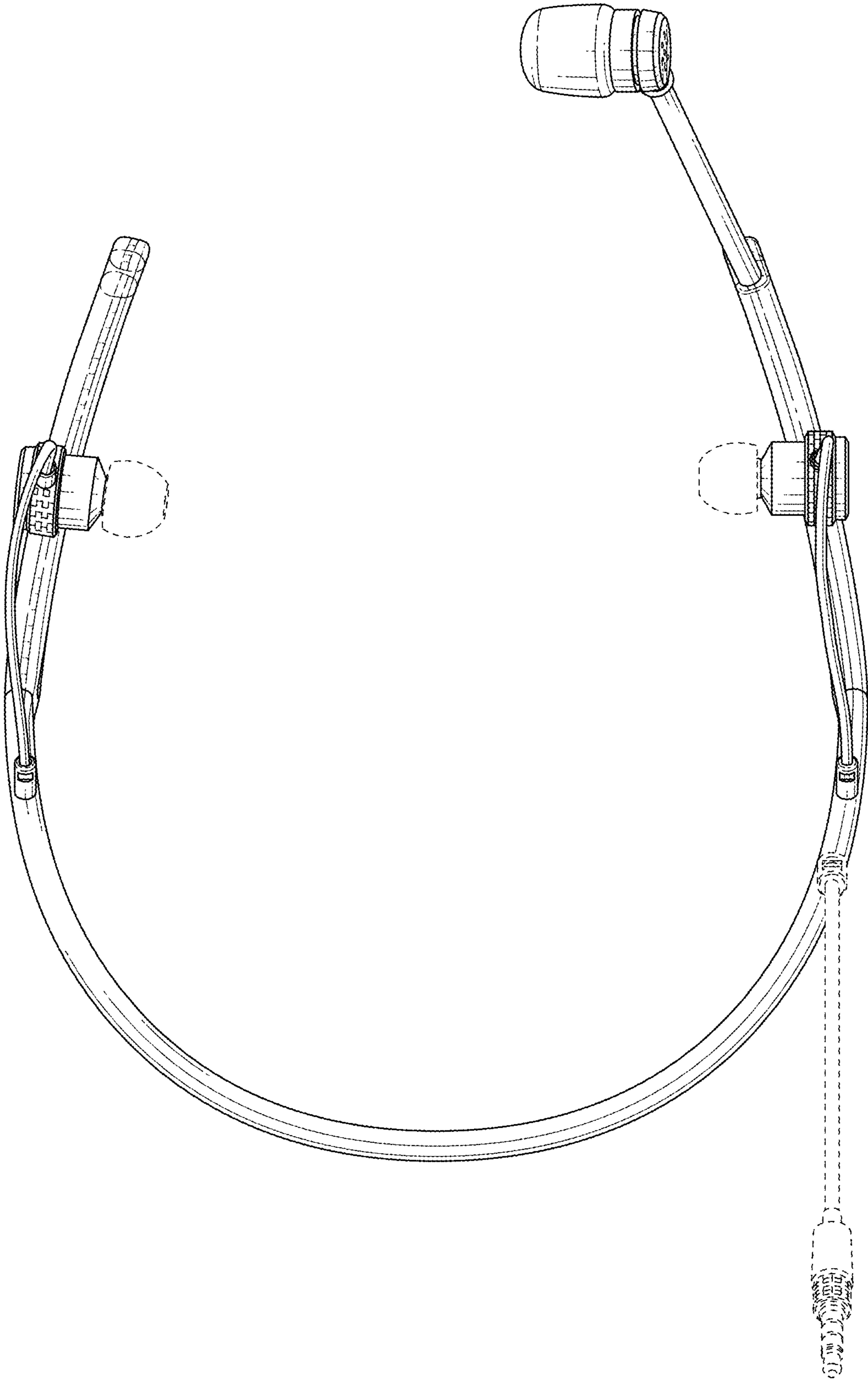


FIG. 21