



US00D873785S

(12) **United States Design Patent** (10) **Patent No.:** **US D873,785 S**  
**Jannard et al.** (45) **Date of Patent:** **\*\* Jan. 28, 2020**

(54) **ELECTRONIC DEVICE**

(71) Applicant: **RED HYDROGEN LLC**, Irvine, CA (US)  
(72) Inventors: **James H. Jannard**, Las Vegas, NV (US); **Peter Jarred Land**, Los Angeles, CA (US); **Matthew Tremblay**, Laguna Beach, CA (US)

(\*\*) Term: **15 Years**

(21) Appl. No.: **29/648,268**

(22) Filed: **May 18, 2018**

(51) **LOC (12) Cl.** ..... **14-03**

(52) **U.S. Cl.**  
USPC ..... **D14/138 G**

(58) **Field of Classification Search**  
USPC ..... D14/138 G, 248, 341, 371, 374, 138 R, D14/138 AA, 138 AB, 138 AC, 138 AD, D14/138 C, 247  
CPC ..... H04M 1/0202; H04M 1/0235; H04M 1/0237; H04M 1/0239; H04M 1/0266; H04M 1/0268; H04M 1/027; H04M 1/0295  
See application file for complete search history.

(56) **References Cited**

**U.S. PATENT DOCUMENTS**

D175,073 S	7/1955	Heller
D221,720 S	8/1971	Hoskins
D244,209 S	5/1977	Bliven
D270,061 S	8/1983	Ackeret
D274,674 S	7/1984	Allen
D279,673 S	7/1985	Rivette et al.

(Continued)

**FOREIGN PATENT DOCUMENTS**

CN	102238255 A	11/2011
CN	202103723 U	1/2012

(Continued)

**OTHER PUBLICATIONS**

Sony Xperia Z1, announced Sep. 2013, [online], [retrieved on May 30, 2014]. Retrieved from Internet ,<URL: http://www.gsmarena.com>.\*

(Continued)

*Primary Examiner* — Bridget L Eland  
(74) *Attorney, Agent, or Firm* — Mintz Levin Cohn Ferris Glovsky and Popeo, P.C.

(57) **CLAIM**

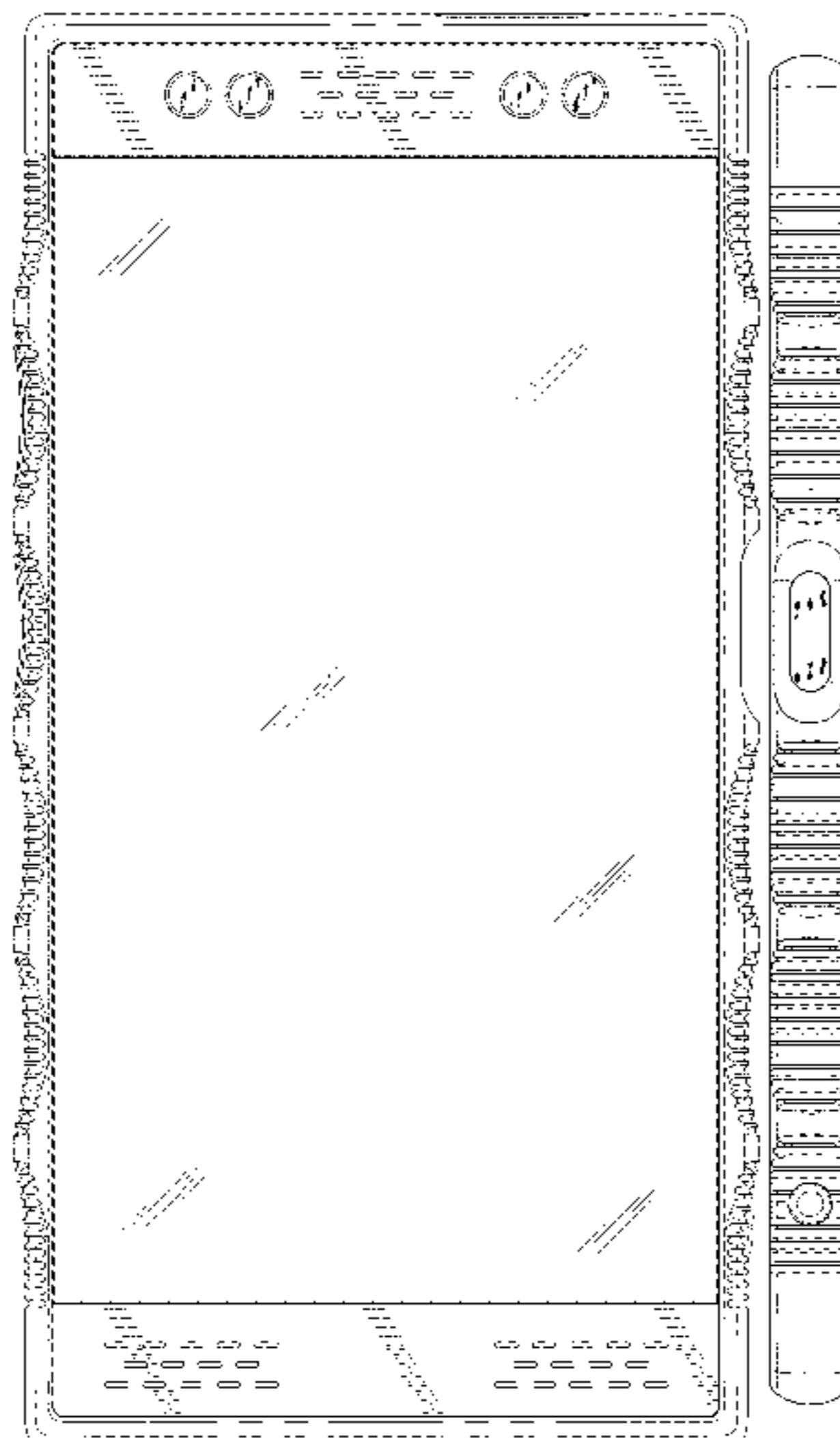
The ornamental design for an electronic device, as shown and described.

**DESCRIPTION**

FIG. 1 is a top, front, and left-side perspective view of an electronic device showing our new design;  
FIG. 2 is a bottom, rear, and right-side perspective view of the electronic device of FIG. 1;  
FIG. 3 is a front elevational view of the electronic device of FIG. 1;  
FIG. 4 is a rear elevational view of the electronic device of FIG. 1;  
FIG. 5 is a right-side elevational view of the electronic device of FIG. 1;  
FIG. 6 is a left-side elevational view of the electronic device of FIG. 1;  
FIG. 7 is a top plan view of the electronic device of FIG. 1; and,  
FIG. 8 is a bottom plan view of the electronic device of FIG. 1.

The outermost broken lines immediately adjacent to the full line showing of the claimed design represent the bounds of the claimed design while all other broken lines are directed to environment and are for illustrative purposes only; the broken lines form no part of the claimed design.

**1 Claim, 8 Drawing Sheets**



(56)

References Cited

U.S. PATENT DOCUMENTS

D316,409 S 4/1991 Sharbaugh  
 D316,410 S \* 4/1991 Watanabe ..... D14/138 AA  
 D319,059 S 8/1991 Divine  
 D352,936 S 11/1994 Karlin  
 5,371,790 A 12/1994 Nevo et al.  
 D357,256 S 4/1995 Jardine  
 D357,918 S 5/1995 Doria  
 D358,177 S 5/1995 Imai  
 5,432,510 A \* 7/1995 Matthews ..... H03K 17/967  
 341/20  
 D375,950 S 11/1996 Jones et al.  
 D380,449 S 7/1997 Palatov  
 5,805,256 A 9/1998 Miller  
 D407,396 S 3/1999 Ogasawara  
 5,925,873 A 7/1999 Kumar  
 D418,132 S 12/1999 Zoiss et al.  
 D427,172 S 6/2000 Bequir  
 D427,983 S 7/2000 Nagano et al.  
 6,164,853 A 12/2000 Foote  
 D459,712 S 7/2002 Langford  
 D460,059 S 7/2002 Chan  
 D480,375 S \* 10/2003 Cebe ..... D14/147  
 D487,440 S 3/2004 Langford  
 D487,442 S 3/2004 Wang  
 D503,708 S 4/2005 Kolinen  
 6,925,315 B2 8/2005 Langford  
 D511,773 S 11/2005 Horiki et al.  
 D515,079 S 2/2006 Lodato et al.  
 D524,281 S \* 7/2006 Franck ..... D14/147  
 D528,110 S 9/2006 Cohn  
 D529,466 S 10/2006 Rose et al.  
 D535,636 S 1/2007 Cooper  
 D537,814 S 3/2007 Okada  
 D578,718 S 10/2008 Bettanin  
 D587,416 S 2/2009 Ashe  
 D591,018 S 4/2009 Bogaerts  
 D602,665 S 10/2009 Porcini  
 D606,527 S 12/2009 Chen  
 D612,823 S 3/2010 Mazzeo  
 D615,973 S 5/2010 Sip et al.  
 D616,851 S \* 6/2010 Roka ..... D14/138 AD  
 D624,601 S 9/2010 Grossman  
 D635,971 S 4/2011 Sip et al.  
 D639,260 S \* 6/2011 Carroll ..... D14/138 G  
 D640,220 S \* 6/2011 Shyu ..... D14/138 AD  
 D641,735 S 7/2011 Santa Maria et al.  
 D654,460 S \* 2/2012 Kim ..... D14/138 G  
 D657,514 S 4/2012 Pedriza  
 8,153,270 B2 4/2012 Akieda  
 8,155,692 B1 4/2012 Roka  
 D660,295 S 5/2012 Mak  
 8,180,441 B2 5/2012 Skagmo  
 D662,925 S 7/2012 Mayberry et al.  
 D663,724 S 7/2012 Lee et al.  
 D667,187 S 9/2012 Sowinski  
 D671,931 S 12/2012 Fathollahi  
 D688,233 S 8/2013 Dong  
 8,593,745 B2 11/2013 O'Neill  
 D695,478 S 12/2013 Hobe  
 D698,746 S \* 2/2014 Kaneta ..... D14/138 G  
 8,671,498 B2 3/2014 Ferlito  
 D713,373 S \* 9/2014 Hibi ..... D14/138 G  
 D716,746 S \* 11/2014 Du ..... D14/138 G  
 D717,263 S \* 11/2014 Wozniak ..... D14/138 G

D721,344 S \* 1/2015 Lee ..... D14/138 G  
 D723,529 S 3/2015 Song  
 D729,189 S \* 5/2015 Kangasmaa ..... D14/138 G  
 D730,859 S \* 6/2015 Kaneta ..... D14/138 G  
 9,084,356 B2 \* 7/2015 Fife ..... H04M 1/11  
 D740,281 S \* 10/2015 Kim ..... D14/341  
 9,288,295 B2 3/2016 Ivanovski et al.  
 D753,622 S 4/2016 Lee et al.  
 D754,124 S \* 4/2016 Kim ..... D14/341  
 D756,324 S 5/2016 Tosh et al.  
 D762,633 S \* 8/2016 Fife ..... D14/250  
 D763,250 S 8/2016 Jannard  
 D767,563 S 9/2016 Satzger et al.  
 9,583,285 B1 2/2017 Andre  
 9,621,690 B2 4/2017 Jannard et al.  
 D786,214 S 5/2017 Kwon et al.  
 D794,634 S \* 8/2017 Kim ..... D14/345  
 D802,573 S 11/2017 Itor  
 9,871,900 B2 1/2018 Jannard et al.  
 9,917,935 B2 3/2018 Pizzo et al.  
 D823,851 S \* 7/2018 Jannard ..... D14/341  
 2001/0024945 A1 \* 9/2001 Inomata ..... H04M 1/0254  
 455/575.1  
 2003/0083020 A1 5/2003 Langford  
 2003/0137802 A1 7/2003 Novak  
 2005/0141199 A1 6/2005 Chiou  
 2006/0083913 A1 4/2006 Armaly  
 2009/0251423 A1 10/2009 Jung  
 2009/0270135 A1 10/2009 Shoji  
 2009/0291709 A1 11/2009 Lee  
 2011/0032666 A1 2/2011 Gideonse et al.  
 2011/0115679 A1 5/2011 Kong et al.  
 2011/0309728 A1 11/2011 Diebel  
 2012/0093494 A1 4/2012 Wang  
 2013/0307769 A1 11/2013 Sharma et al.  
 2014/0098509 A1 4/2014 Tomoe  
 2014/0128132 A1 5/2014 Cox  
 2015/0256655 A1 \* 9/2015 Jannard ..... H04M 1/0202  
 455/575.8  
 2016/0044148 A1 \* 2/2016 Pizzo ..... H04M 1/026  
 455/575.8  
 2016/0349800 A1 \* 12/2016 Kim ..... G06F 1/1652  
 2017/0214777 A1 7/2017 Jannard  
 2019/0014319 A1 \* 1/2019 Jannard ..... H04N 19/13

FOREIGN PATENT DOCUMENTS

CN 203261364 U 10/2013  
 CN 203261368 U 10/2013  
 EP 1096759 5/2001  
 JP H05-227078 9/1993  
 JP 2001-336965 12/2001  
 JP 2005-112383 4/2005

OTHER PUBLICATIONS

U.S. Appl. No. 29/609,576, filed Jun. 30, 2017, Jannard et al.  
 U.S. Appl. No. 16/027,104, filed Jul. 3, 2018, Jannard et al.  
 Amazon.com product listing, dated 2014.  
 "Meet the toughest, most durable rugged smartphones money can buy," dated Jan. 24, 2014, www.phonearena.com.  
 "V-Mount NiMH Battery Range," Cine Power International Ltd., Magnolia Lake, Mamhead, NR. Exeter Devon, EX6 8HG, United Kingdom.

\* cited by examiner



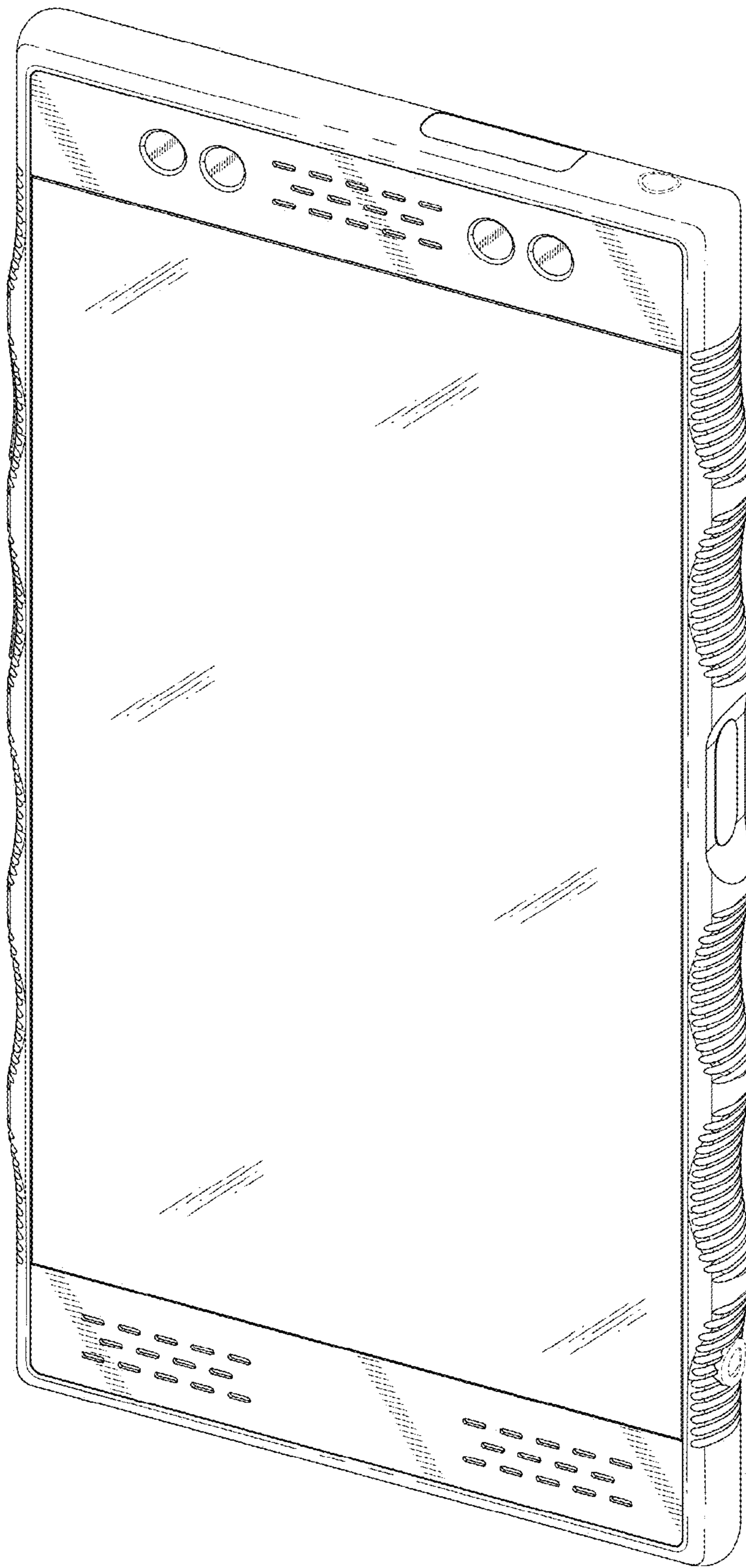


FIG. 1

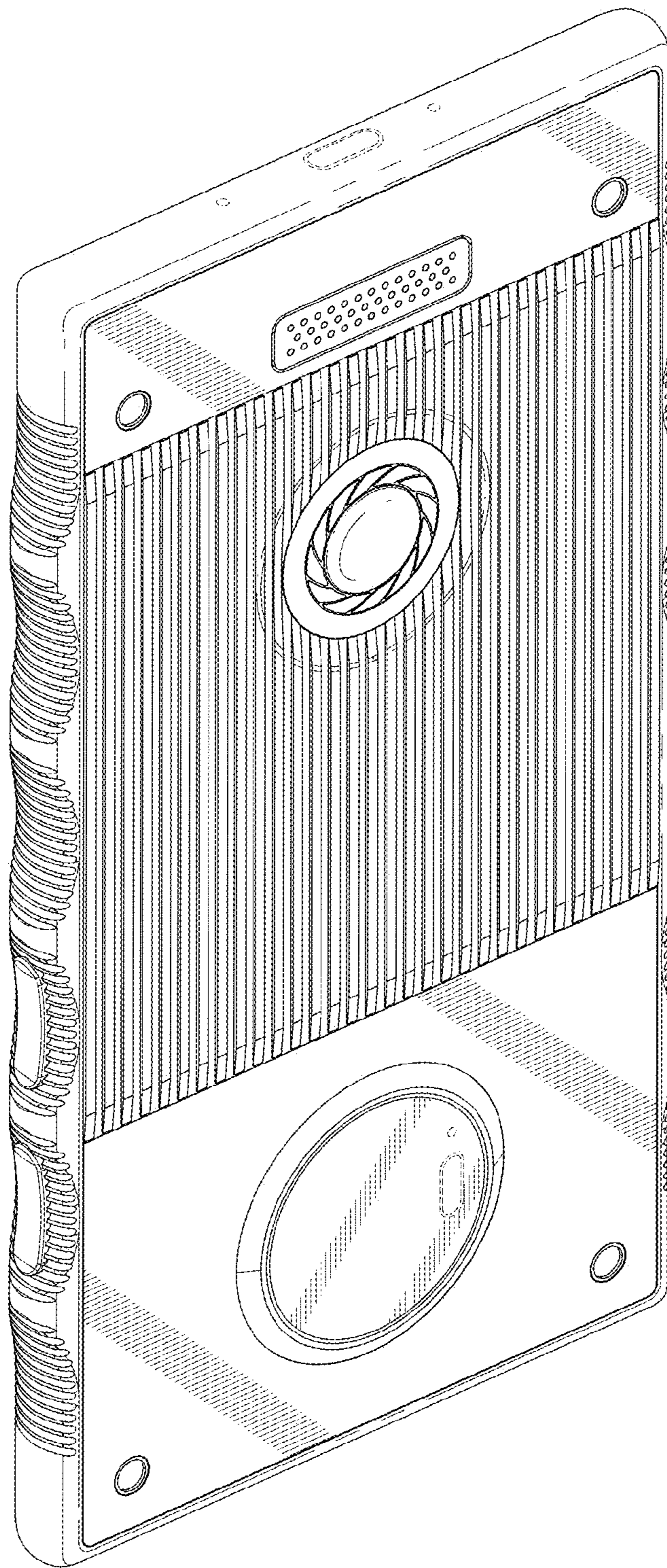


FIG. 2

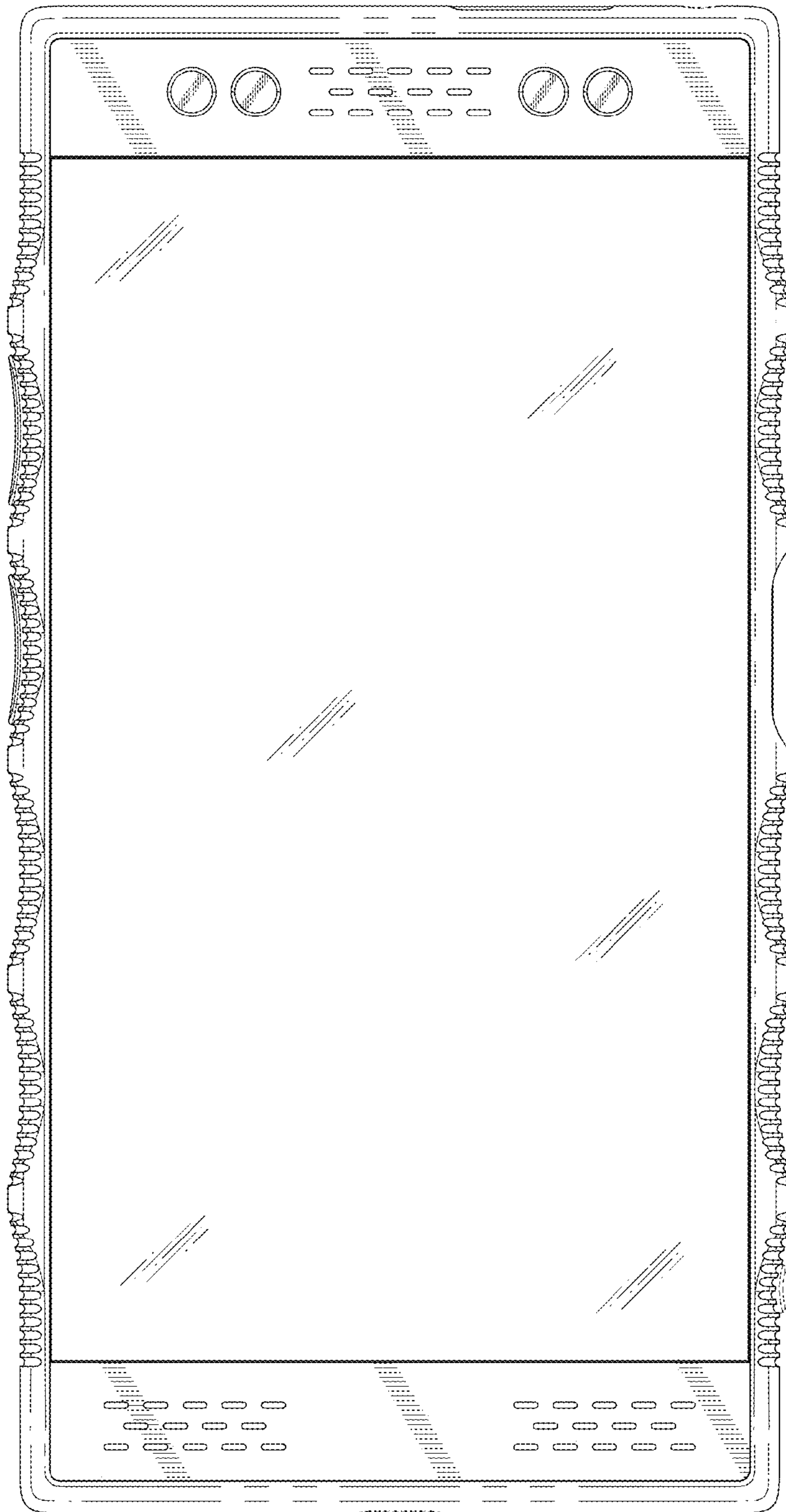


FIG. 3



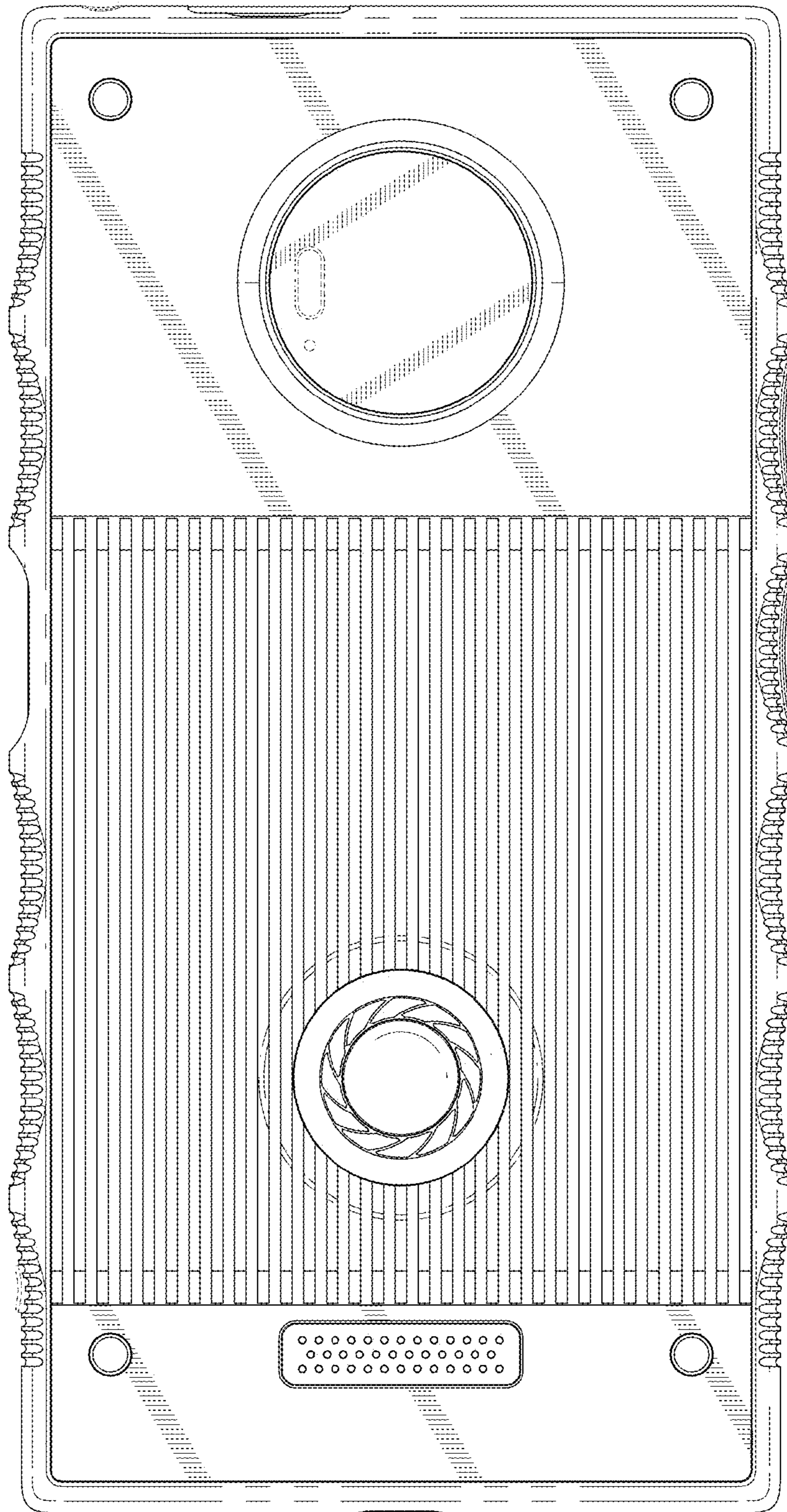


FIG. 4

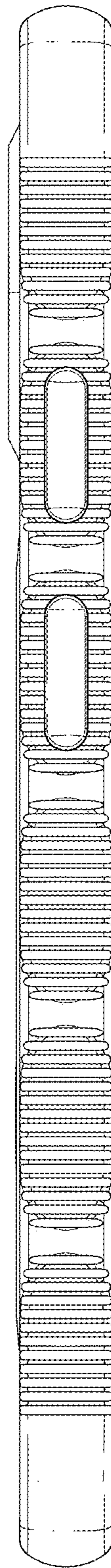


FIG. 5

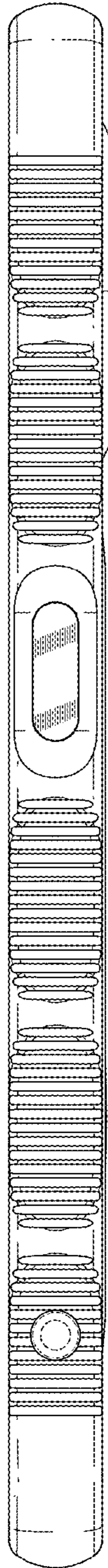


FIG. 6



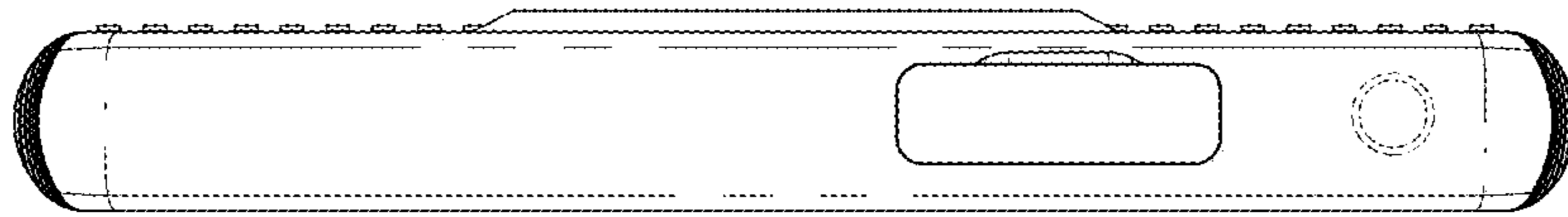


FIG. 7

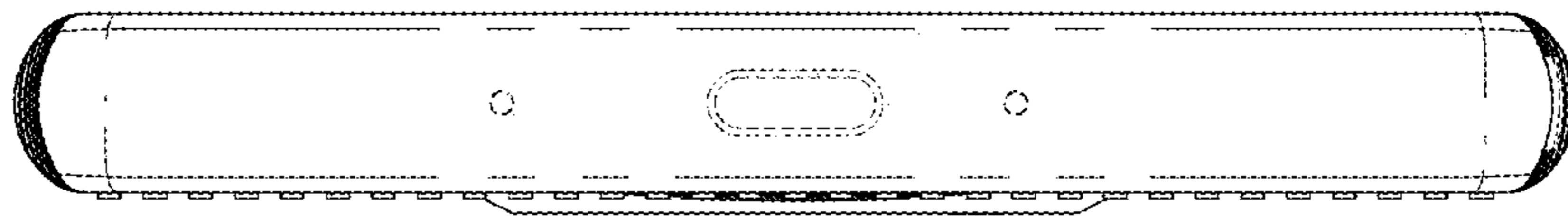


FIG. 8