

US00D873784S

(12) **United States Design Patent**
Woo et al.

(10) **Patent No.:** **US D873,784 S**
(45) **Date of Patent:** **** Jan. 28, 2020**

(54) **HANDHELD COMMUNICATION DEVICE**

(71) Applicant: **MOTOROLA SOLUTIONS, INC.**,
Chicago, IL (US)

(72) Inventors: **Kin Hee Woo**, Gelang Patah (MY);
Soon Hin Lee, Penang (MY); **Pedram**
Djavadkhani, Georgetown (MY); **Lee**
Sun Ooi, Kulim (MY)

(73) Assignee: **MOTOROLA SOLUTIONS, INC.**,
Chicago, IL (US)

(**) Term: **15 Years**

(21) Appl. No.: **29/671,533**

(22) Filed: **Nov. 28, 2018**

(51) **LOC (12) Cl.** **14-03**

(52) **U.S. Cl.**
USPC **D14/137**

(58) **Field of Classification Search**
USPC D14/137, 138 R, 138 AA, 138 AD
CPC .. H04B 1/3833; H04B 1/3827; H04B 1/3855;
H04B 2001/3861; H04M 1/0202; H04M
1/03; H04M 1/035
See application file for complete search history.

(56) **References Cited**

U.S. PATENT DOCUMENTS

D490,786 S *	6/2004	Richards	D14/137
D551,645 S *	9/2007	Kim	D14/138 AB
D653,225 S *	1/2012	Yong	D14/137
D711,346 S *	8/2014	Ismail	D14/137
D717,258 S *	11/2014	Garra	D14/137
D717,259 S *	11/2014	Ooi	D14/137

(Continued)

FOREIGN PATENT DOCUMENTS

CN 303612500 * 3/2016

Primary Examiner — Bridget L Eland

(74) *Attorney, Agent, or Firm* — Raguraman Kumaresan

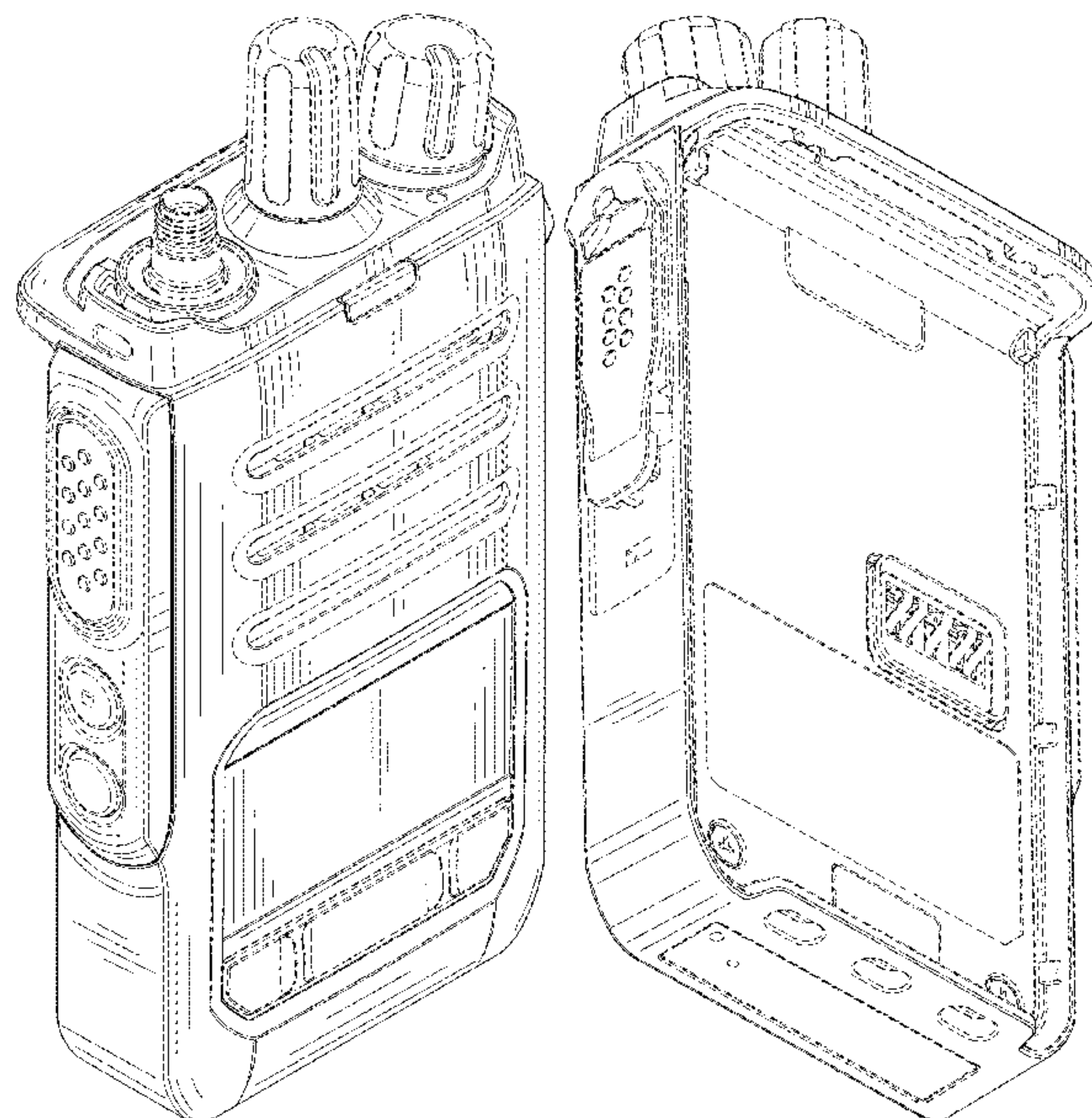
(57) **CLAIM**

The ornamental design for a handheld communication device, as shown and described.

DESCRIPTION

FIG. 1 is a front perspective view of a handheld communication device showing our new design;
 FIG. 2 is a rear perspective view of the first embodiment thereof;
 FIG. 3 is a front view of the first embodiment thereof;
 FIG. 4 is a rear view of the first embodiment thereof;
 FIG. 5 is a first side view of the first embodiment thereof;
 FIG. 6 is a second side view of the first embodiment thereof;
 FIG. 7 is a top view of the first embodiment thereof; and
 FIG. 8 is a bottom view of the first embodiment thereof.
 FIG. 9 is a front perspective view of a second embodiment of an ornamental design for a handheld device;
 FIG. 10 is a rear perspective view of the second embodiment thereof;
 FIG. 11 is a front view of the second embodiment thereof;
 FIG. 12 is a rear view of the second embodiment thereof;
 FIG. 13 is a first side view of the second embodiment thereof;
 FIG. 14 is a second side view of the second embodiment thereof;
 FIG. 15 is a top view of the second embodiment thereof; and
 FIG. 16 is a bottom view of the second embodiment thereof.
 The broken lines shown in FIGS. 1-8, that are immediately adjacent to the shaded areas, and define the unshaded regions, are for illustrative purposes only; the portions shown in broken lines form part of the article but do not form part of the claimed design.

1 Claim, 14 Drawing Sheets



(56)

References Cited

U.S. PATENT DOCUMENTS

D731,452 S *	6/2015	Yong	D14/137
D752,536 S *	3/2016	Ooi	D14/137
D816,632 S *	5/2018	Yamamoto	D14/137
D851,615 S *	6/2019	Lee	D14/137
D859,340 S *	9/2019	Siponen	D14/137
2010/0291883 A1 *	11/2010	Lim	H04B 1/3833 455/90.2

* cited by examiner

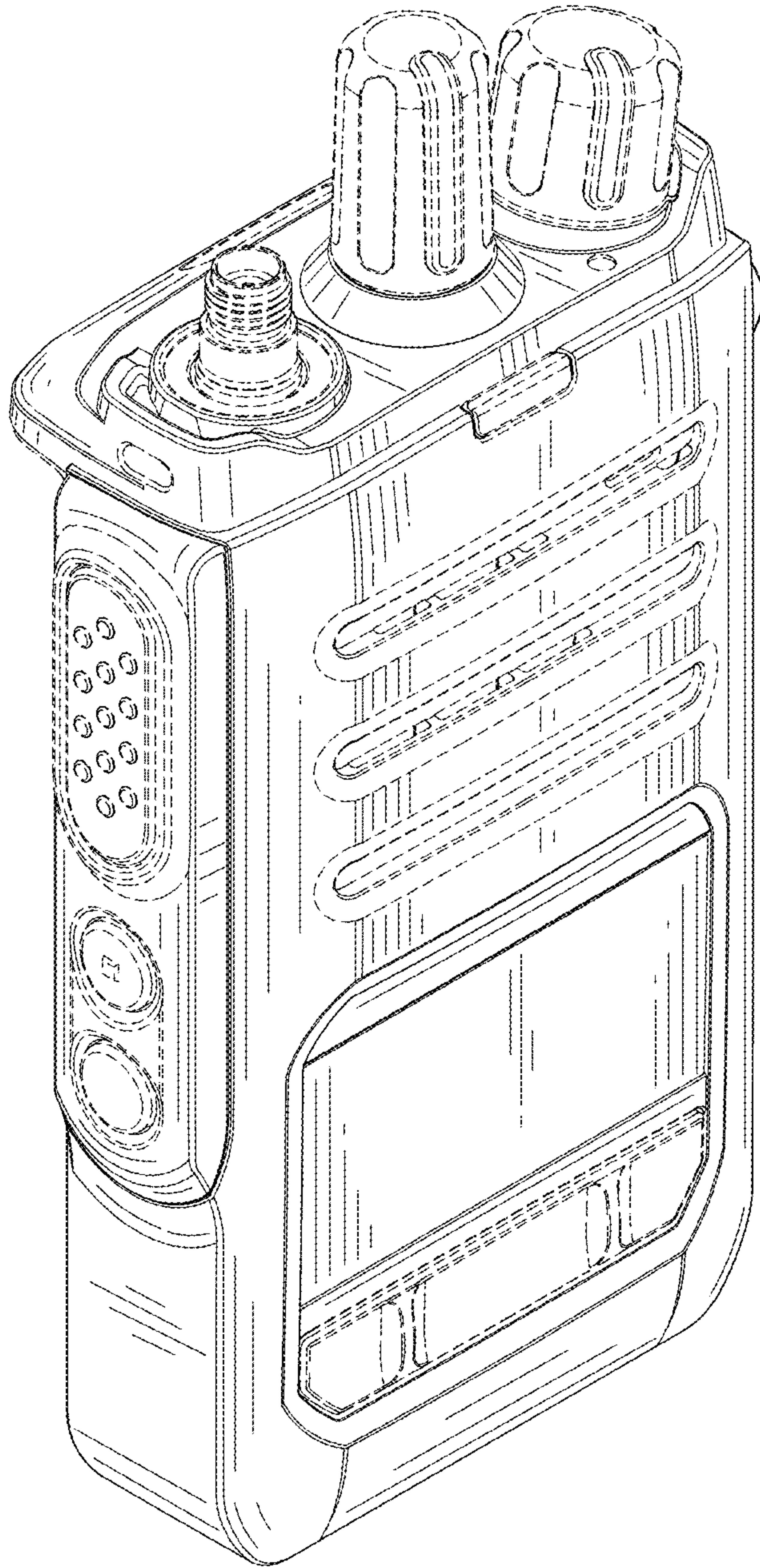


FIG. 1

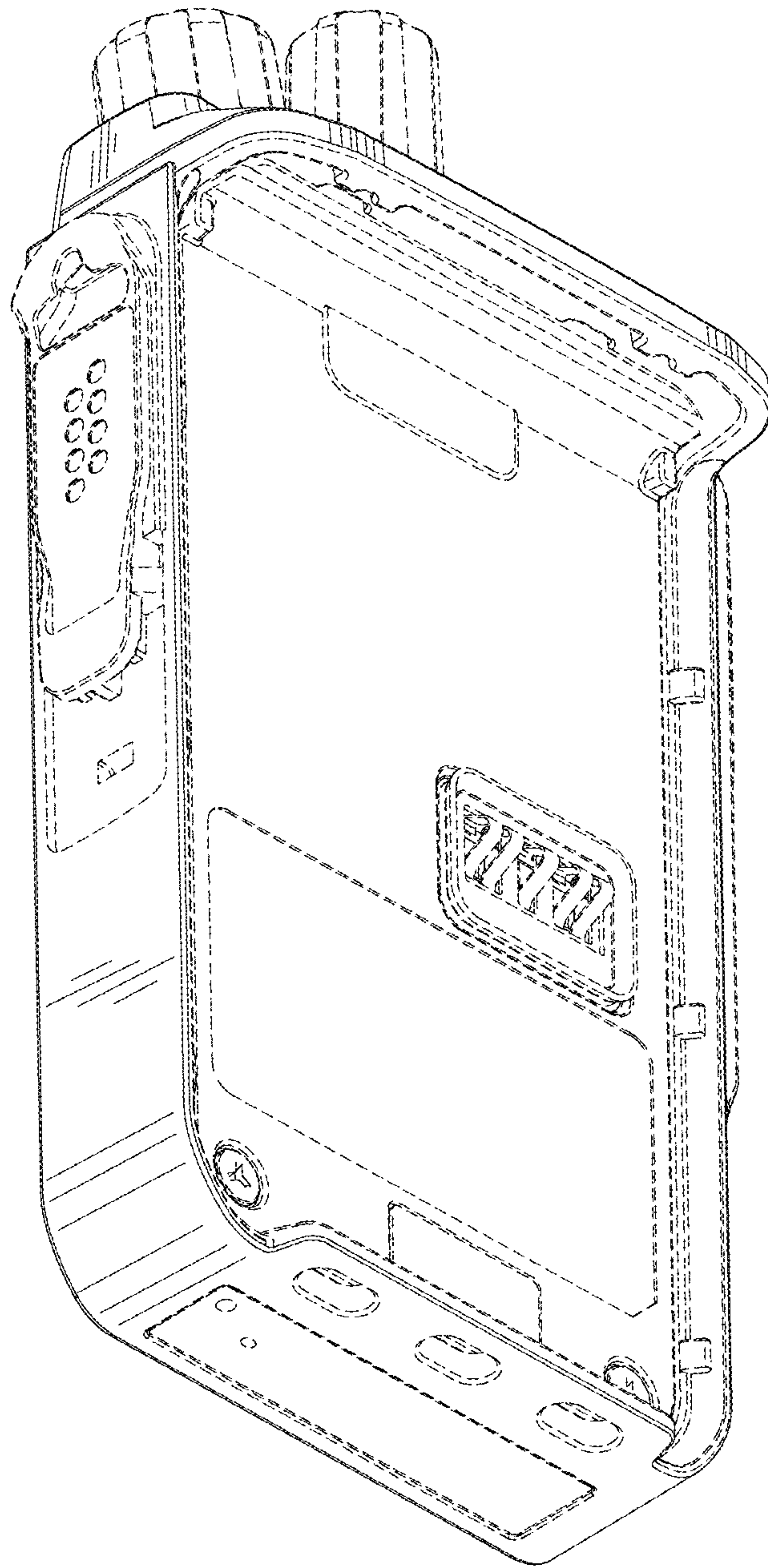


FIG. 2

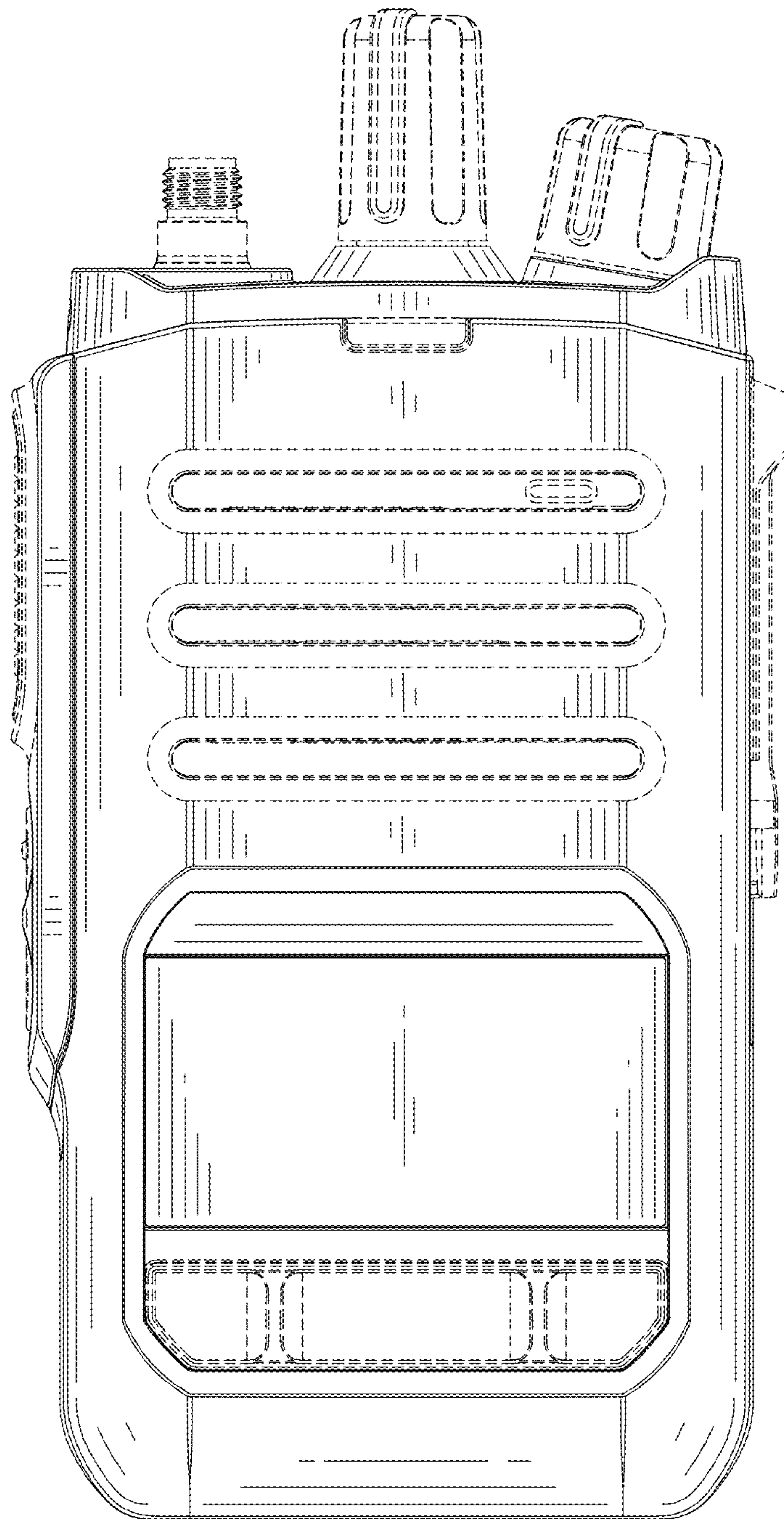


FIG. 3

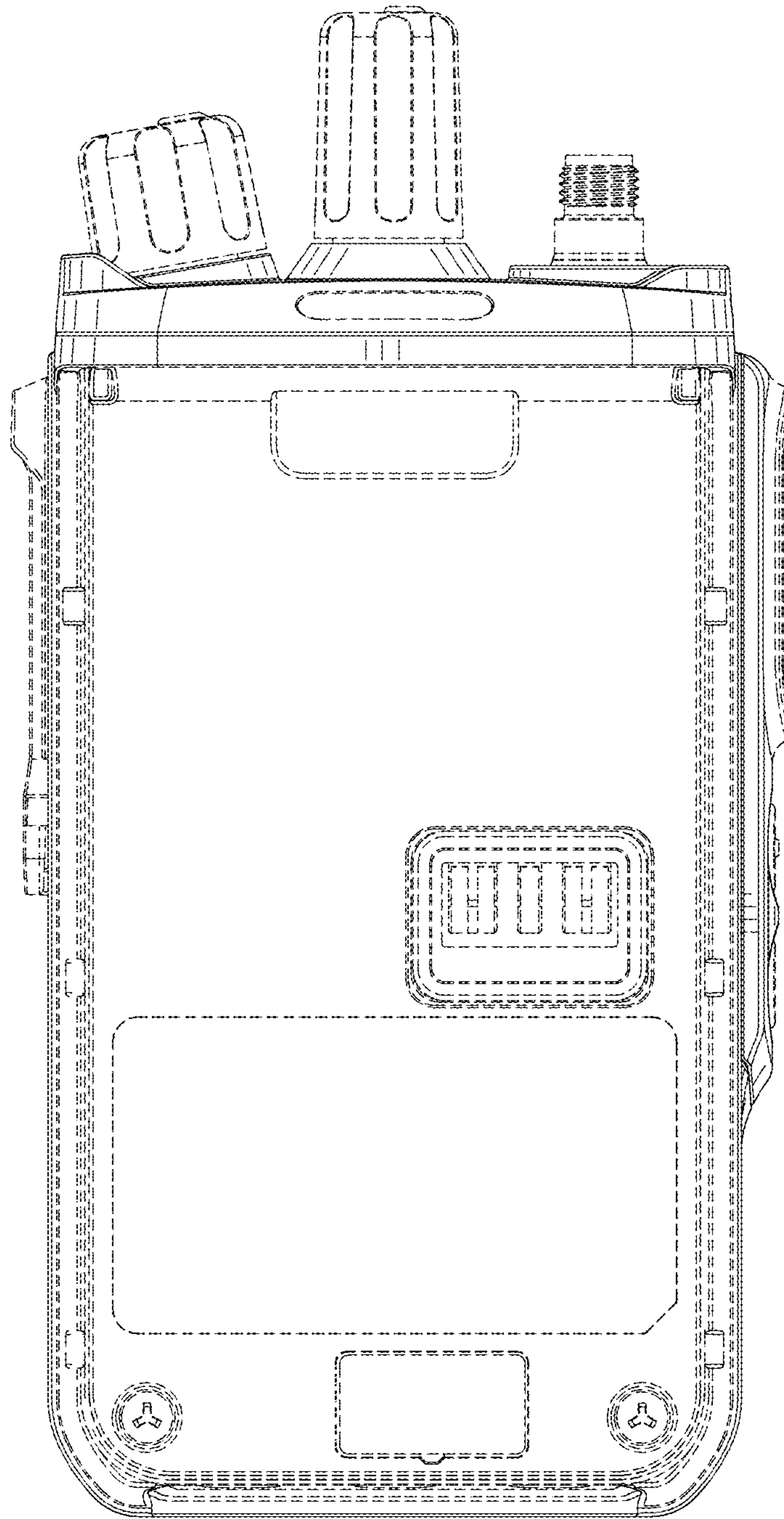


FIG. 4

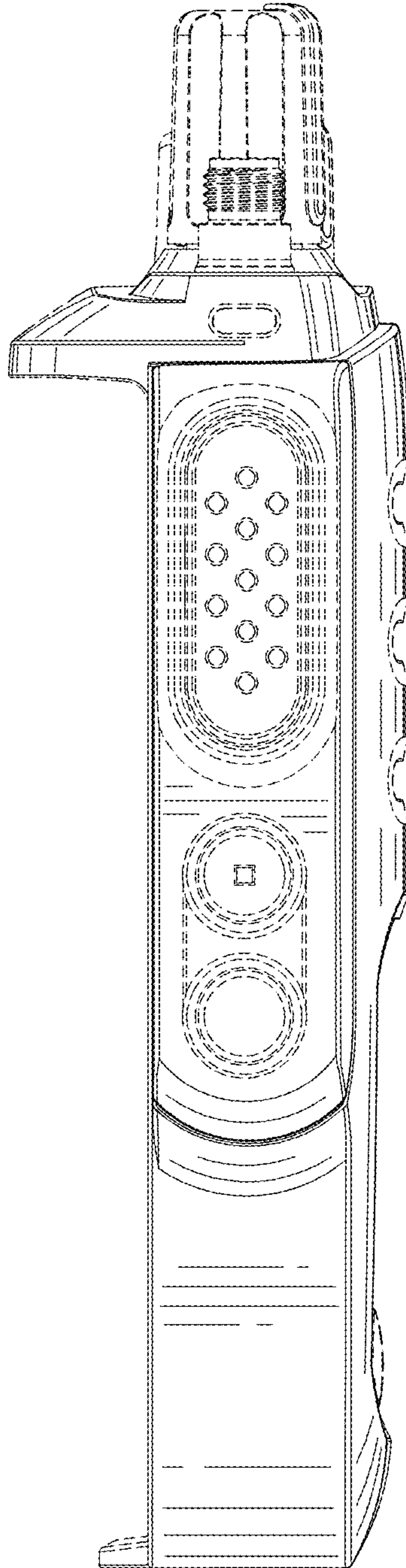


FIG. 5

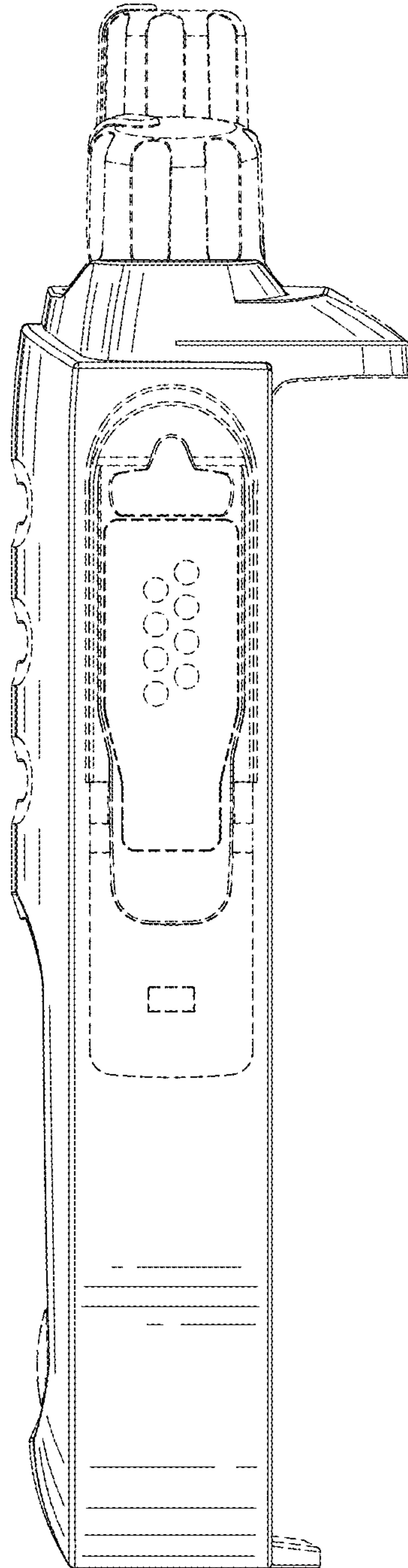


FIG. 6

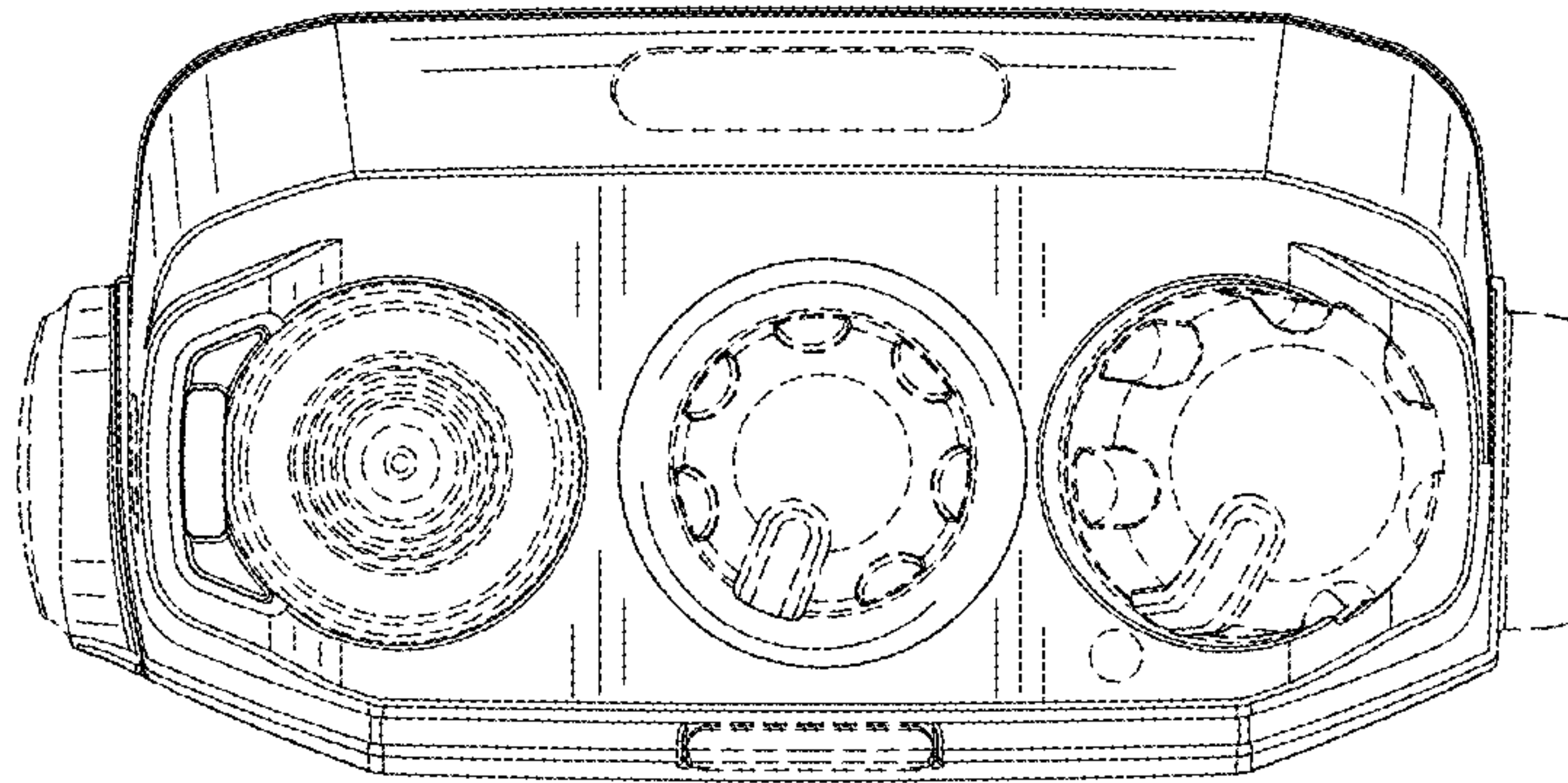


FIG. 7

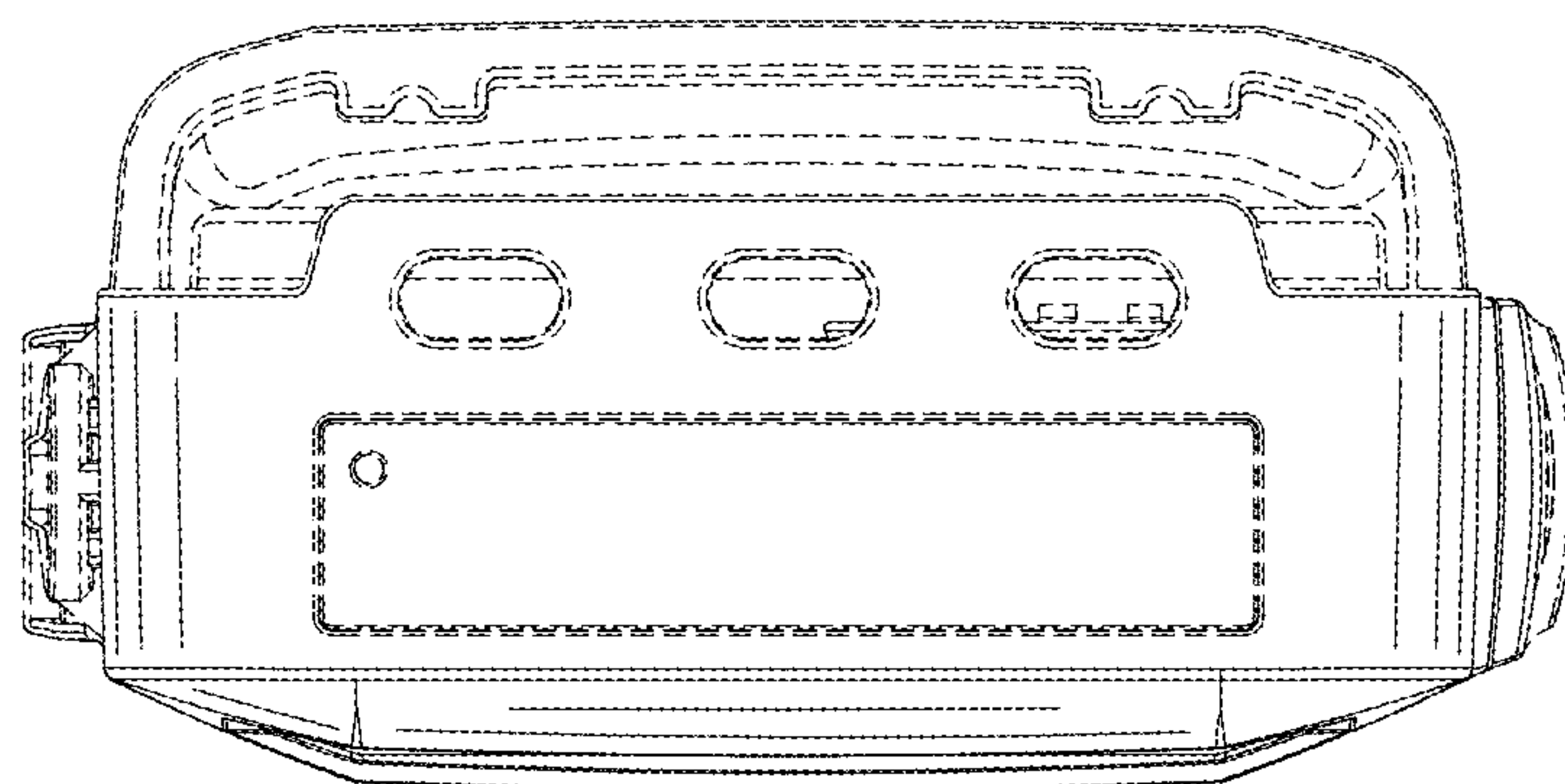


FIG. 8

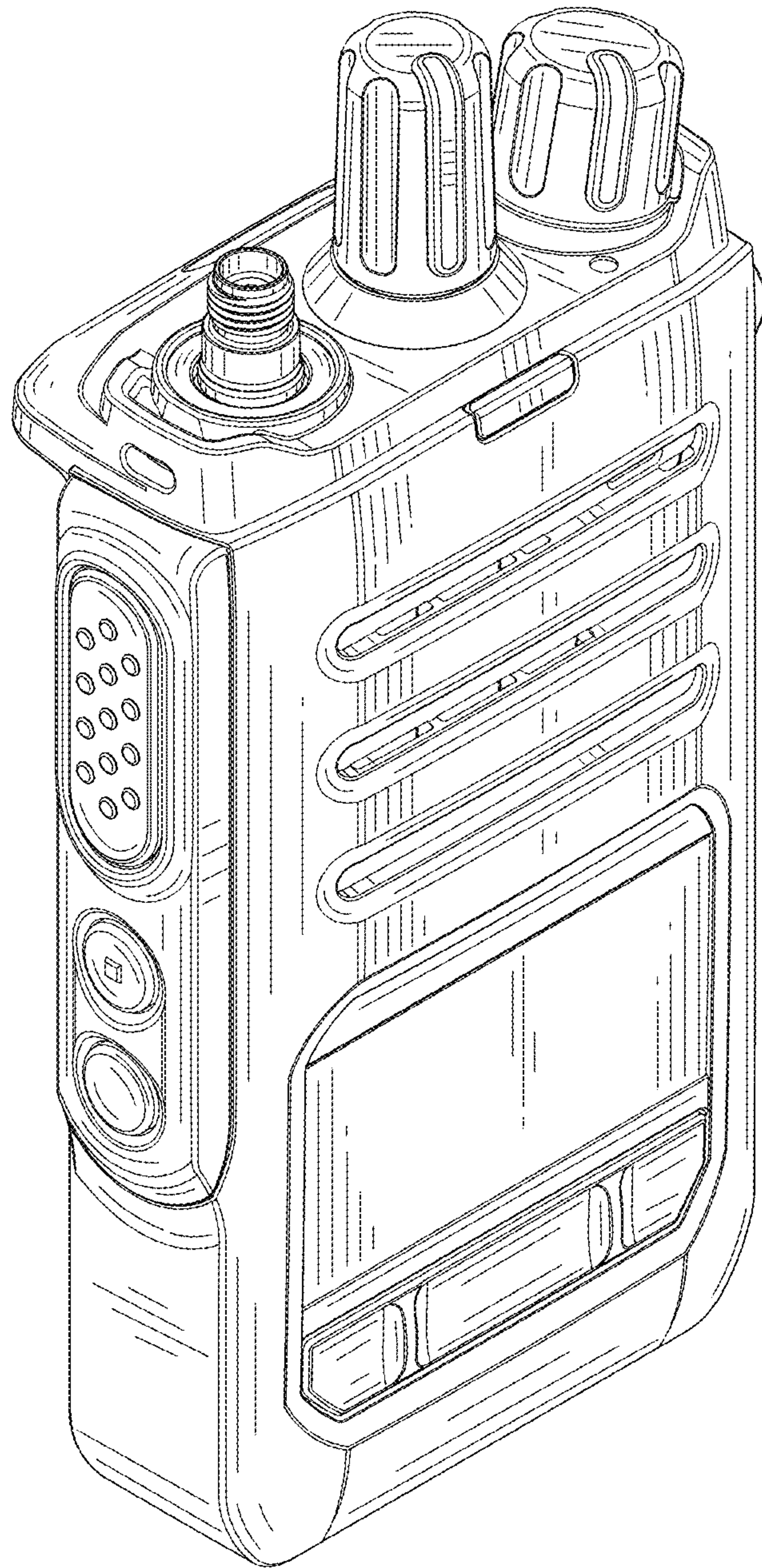


FIG. 9

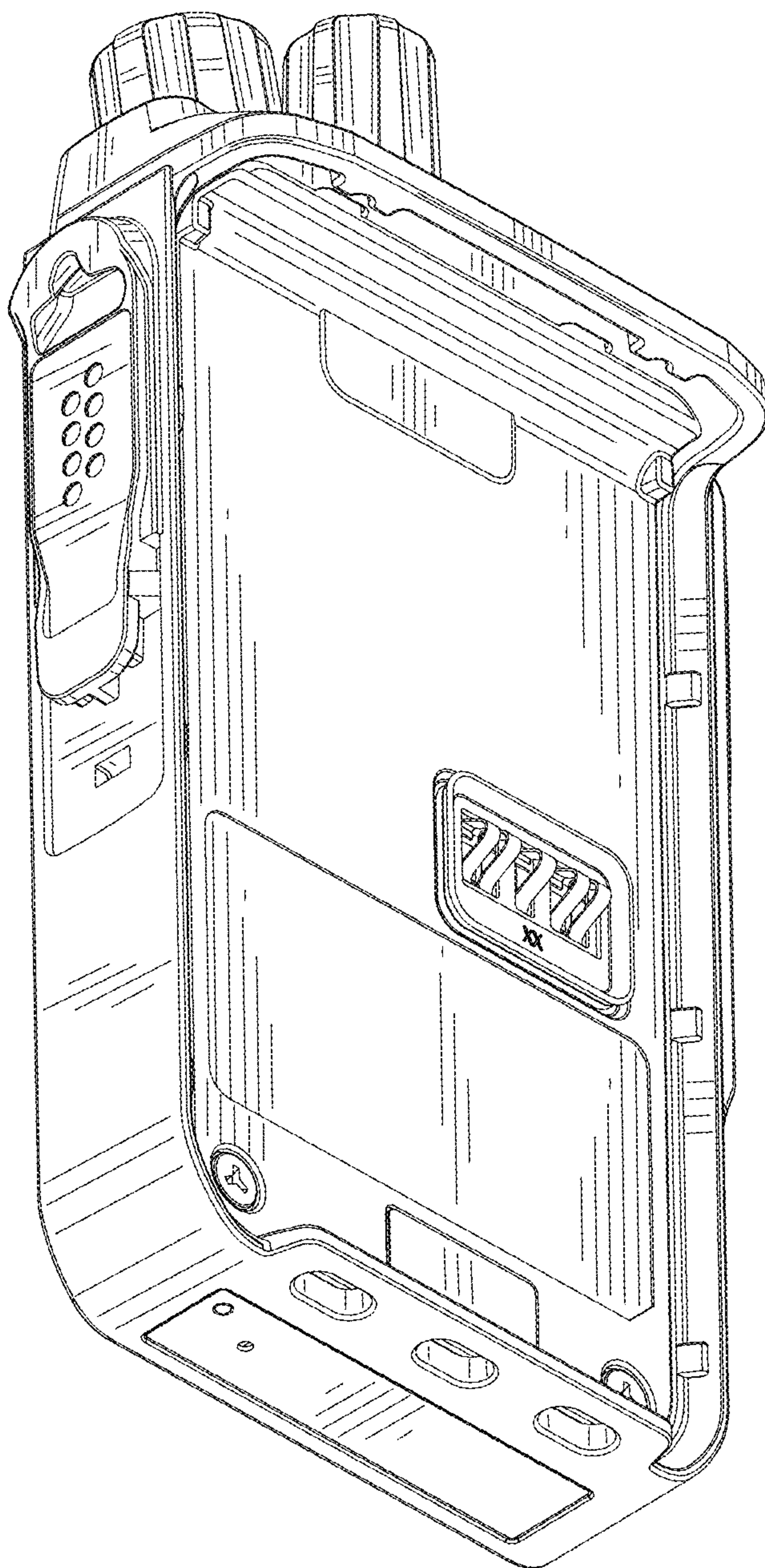


FIG. 10

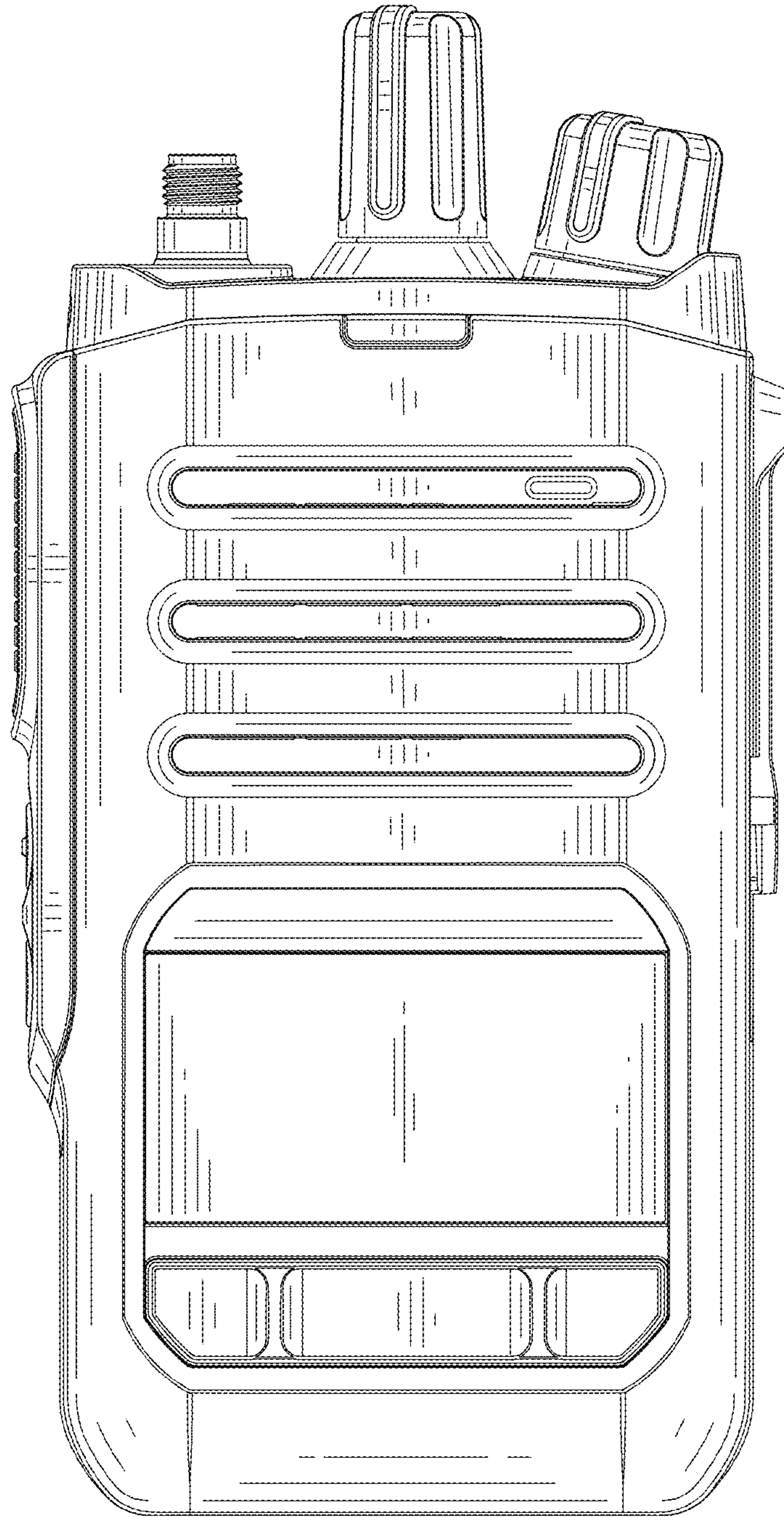


FIG. 11

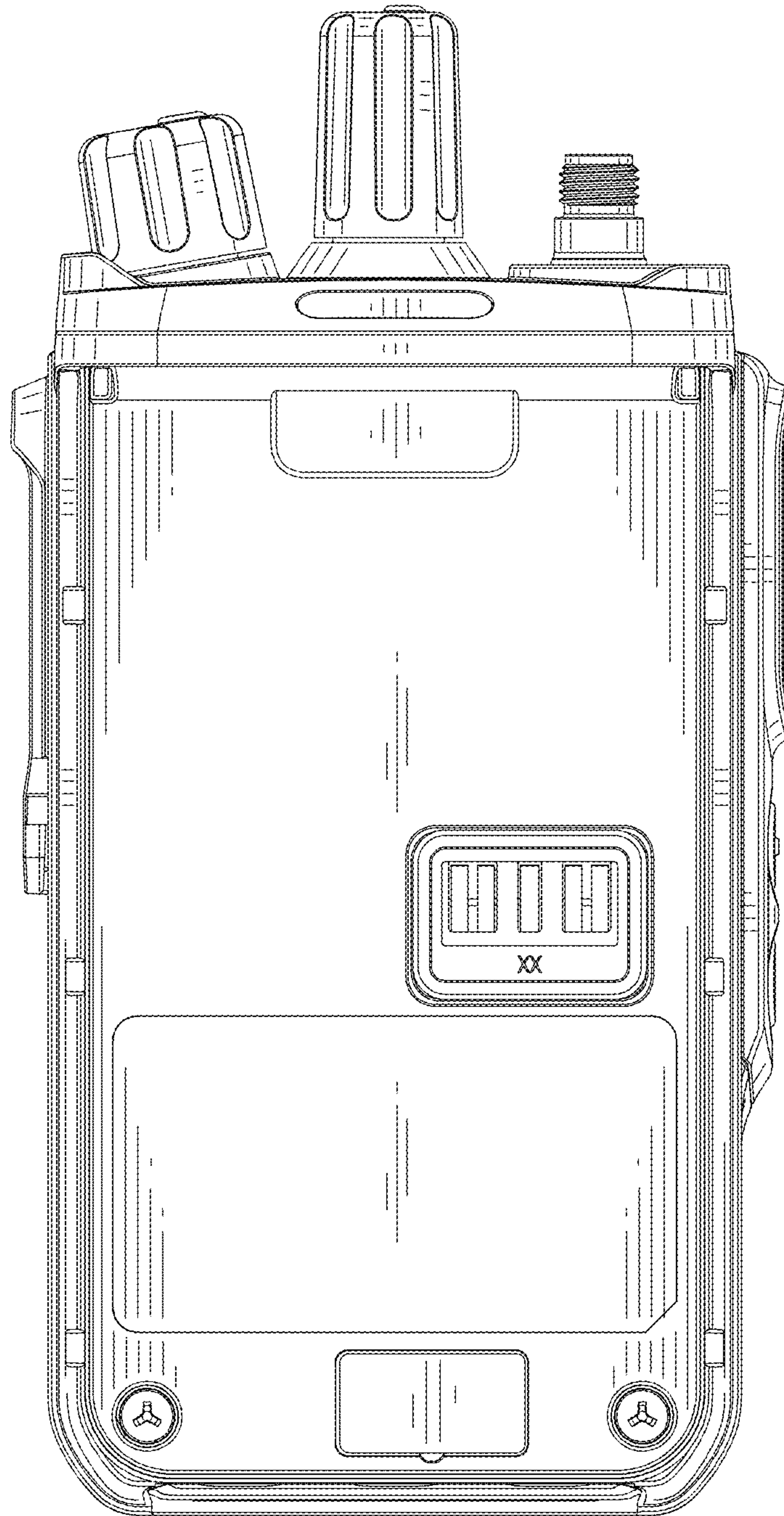


FIG. 12

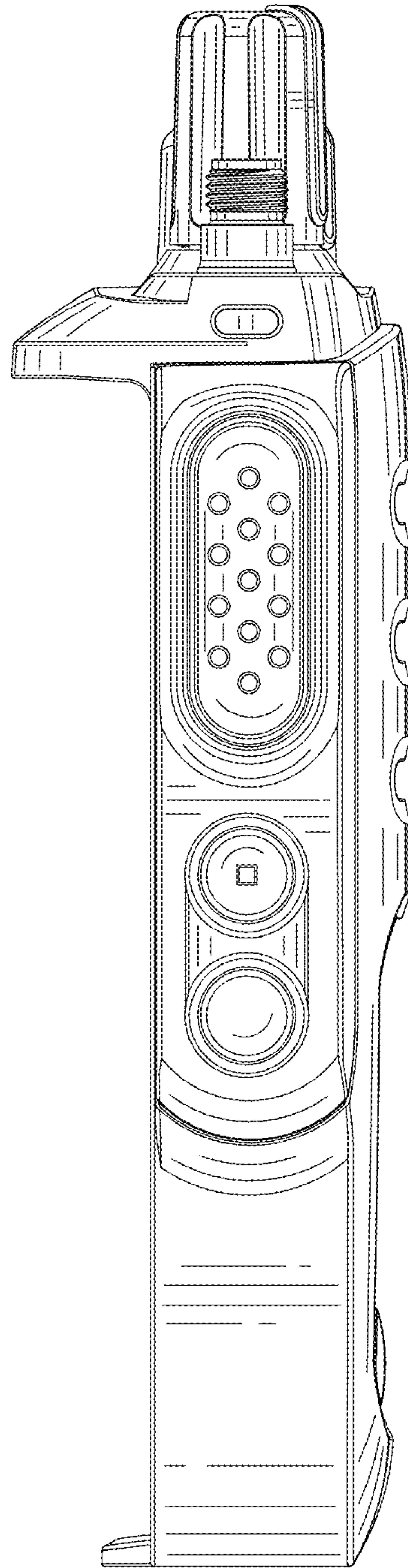


FIG. 13

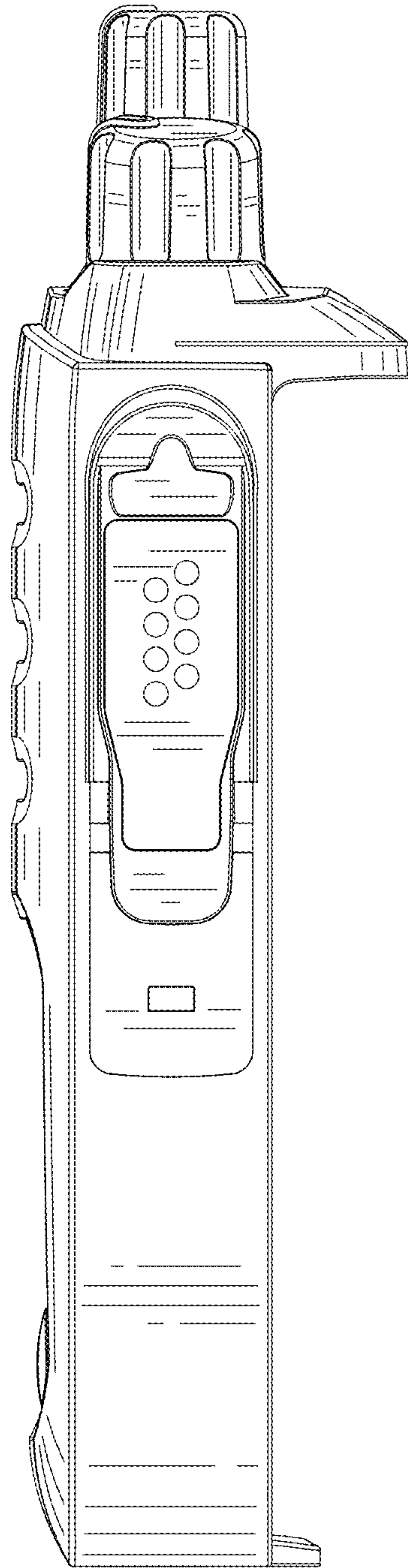


FIG. 14

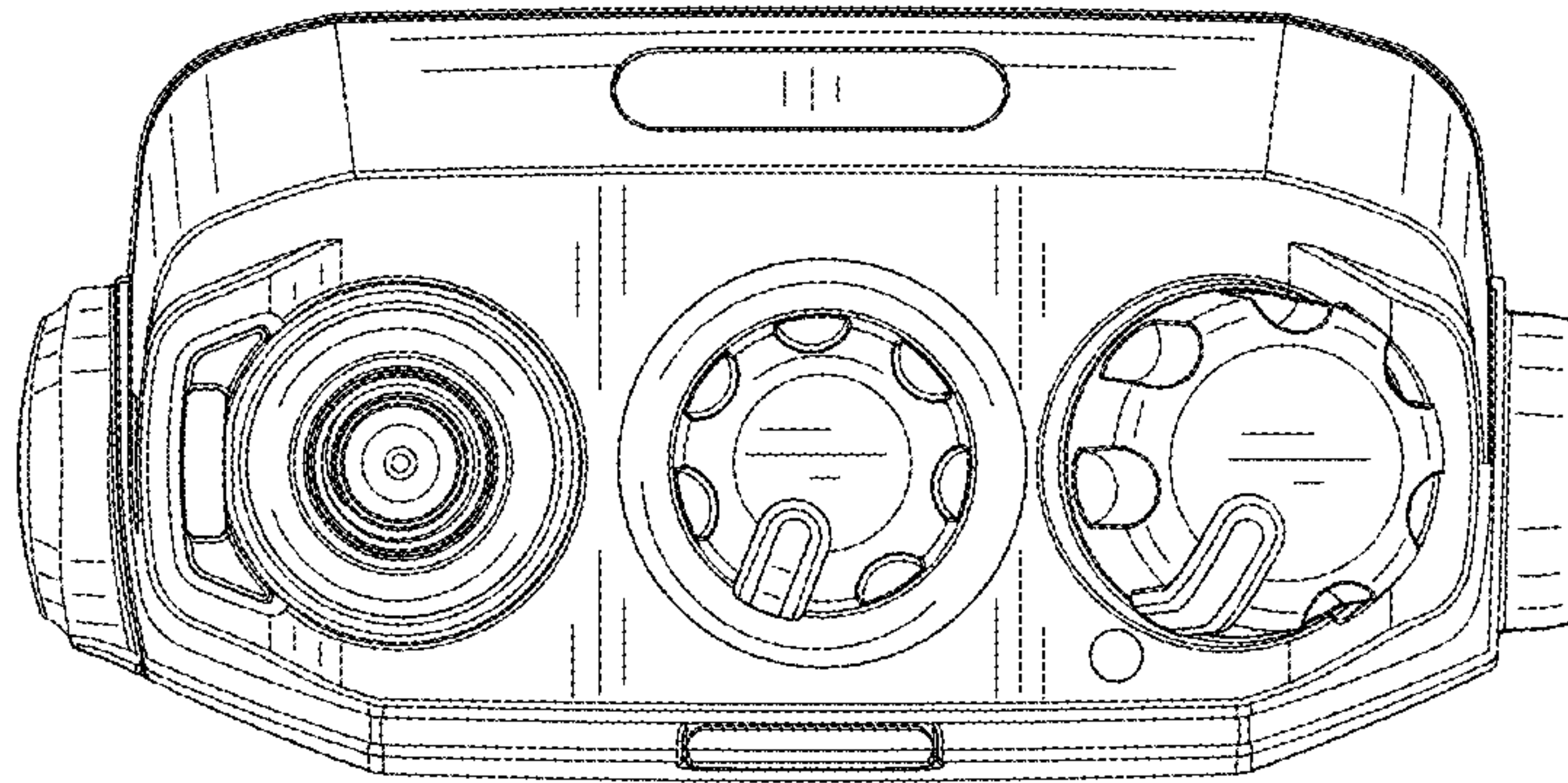


FIG. 15

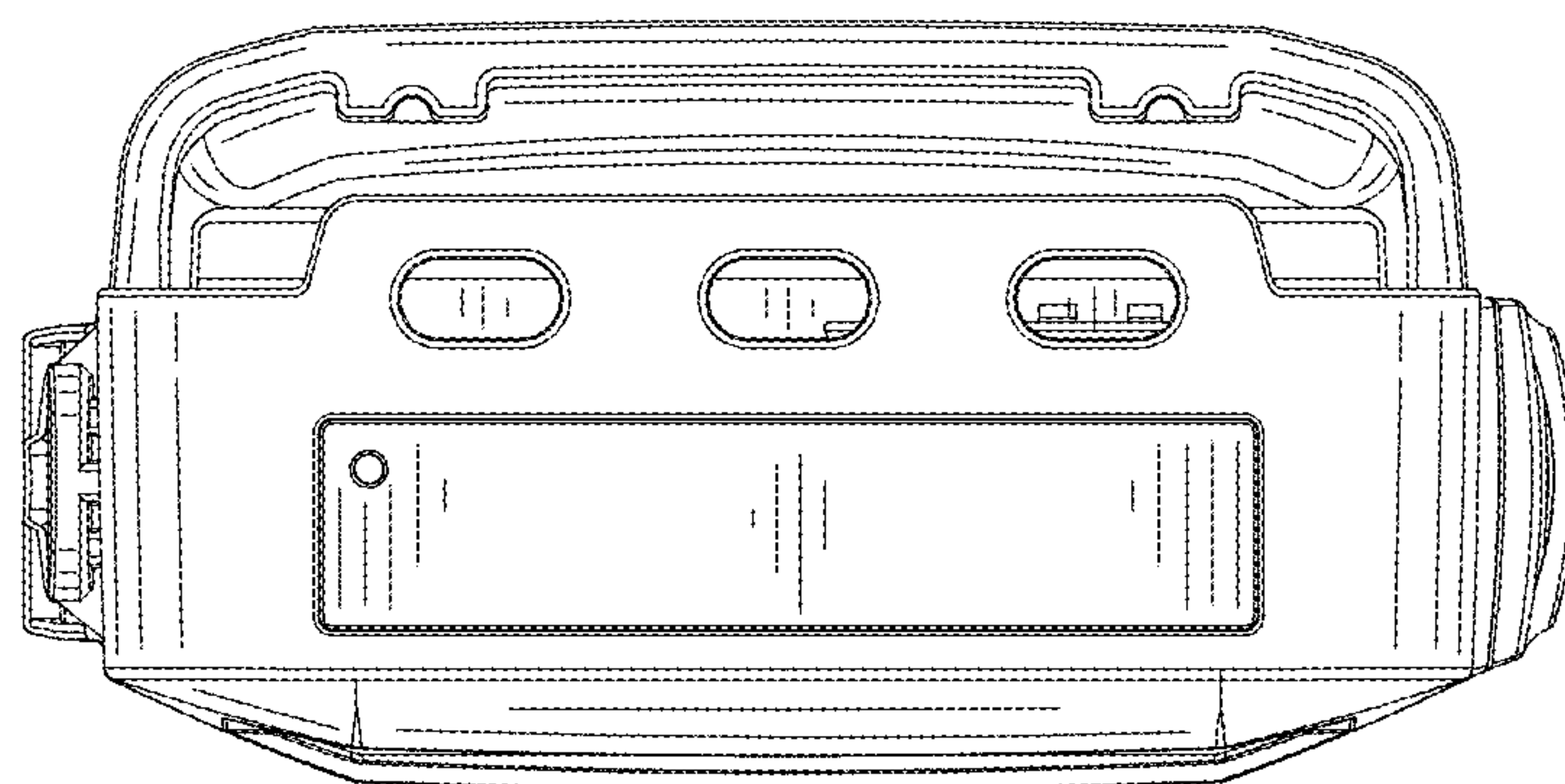


FIG. 16