



US00D873783S

(12) **United States Design Patent**
Pan et al.

(10) **Patent No.:** **US D873,783 S**
(45) **Date of Patent:** **** Jan. 28, 2020**

- (54) **LED CHIP**
- (71) Applicants: **Haining Xincheng Electronics Co., LTD.**, Haining (CN); **Pingli Wang**, Haining (CN)
- (72) Inventors: **Jianxin Pan**, Haining (CN); **Lian Wu**, Haining (CN); **Hongbo Li**, Haining (CN)
- (**) Term: **15 Years**
- (21) Appl. No.: **29/667,183**
- (22) Filed: **Oct. 19, 2018**
- (51) **LOC (12) Cl.** **13-03**
- (52) **U.S. Cl.**
USPC **D13/182**
- (58) **Field of Classification Search**
USPC D13/180, 182; D26/1
CPC H01L 33/00; H01L 21/00; H01L 25/0753;
F21K 9/00
See application file for complete search history.

- 2009/0206350 A1* 8/2009 Wang F21K 9/00
257/88
- 2009/0224265 A1* 9/2009 Wang F21K 9/00
257/88
- 2009/0261368 A1* 10/2009 Wang H05K 1/0274
257/98
- 2012/0009700 A1* 1/2012 Wang F21K 9/00
438/27
- 2015/0338041 A1* 11/2015 Wimmer F21S 9/024
362/20
- 2016/0276318 A1* 9/2016 Chuang H01L 25/0753
- 2017/0084586 A1* 3/2017 Chen H01L 25/0753

* cited by examiner

Primary Examiner — Selina Sikder
(74) *Attorney, Agent, or Firm* — Gokalp Bayramoglu

(57) **CLAIM**

The ornamental design for an LED chip, as shown and described.

DESCRIPTION

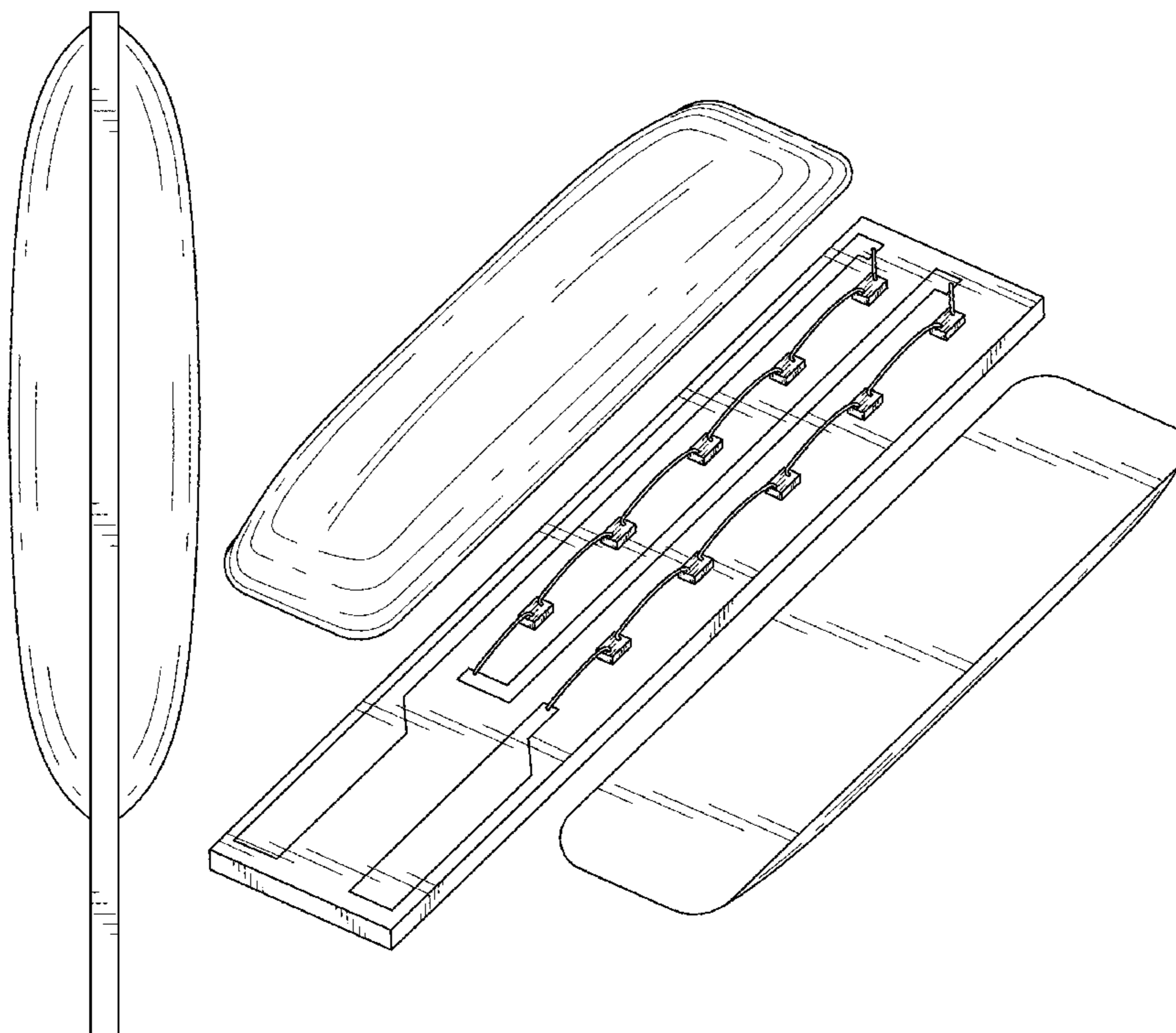
FIG. 1 is a front elevation view of an LED chip showing my new design;
FIG. 2 is a rear elevation view thereof;
FIG. 3 is a left elevation view thereof;
FIG. 4 is a right elevation view thereof;
FIG. 5 is a top plan view thereof;
FIG. 6 is a bottom plan view thereof;
FIG. 7 is a perspective view thereof; and,
FIG. 8 is an exploded perspective view thereof showing portions that are not visible in the corresponding views.

1 Claim, 8 Drawing Sheets

(56) **References Cited**

U.S. PATENT DOCUMENTS

- D525,214 S * 7/2006 Ochi D13/182
- D528,672 S * 9/2006 Nagai D26/1
- D569,529 S * 5/2008 Uemoto D26/1
- D570,003 S * 5/2008 Uemoto D26/1
- D570,506 S * 6/2008 Uemoto D26/1
- D673,307 S * 12/2012 Moghal D26/1
- D690,444 S * 9/2013 Katoh D13/180
- D712,854 S * 9/2014 Nakano D13/182
- D770,991 S * 11/2016 Nakano D13/182



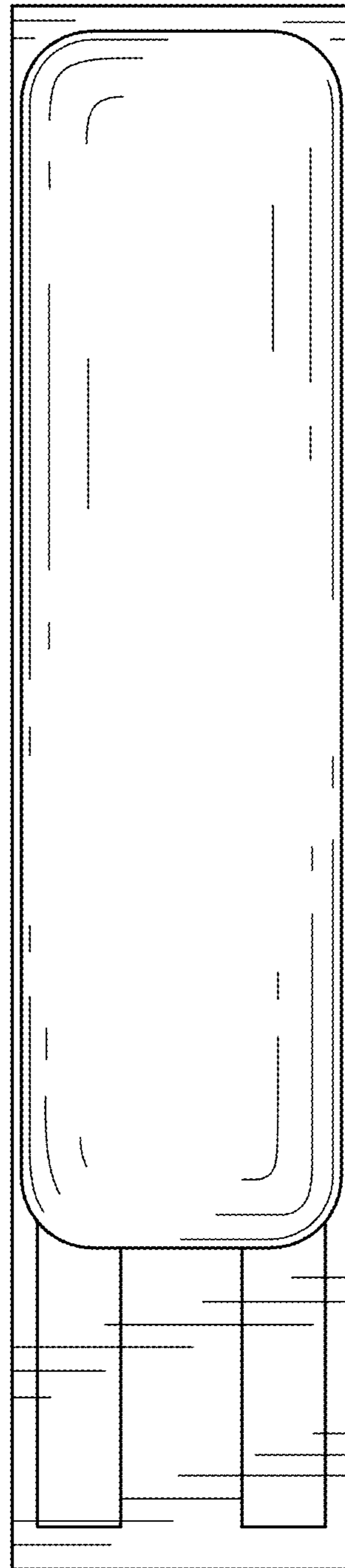


Fig. 1

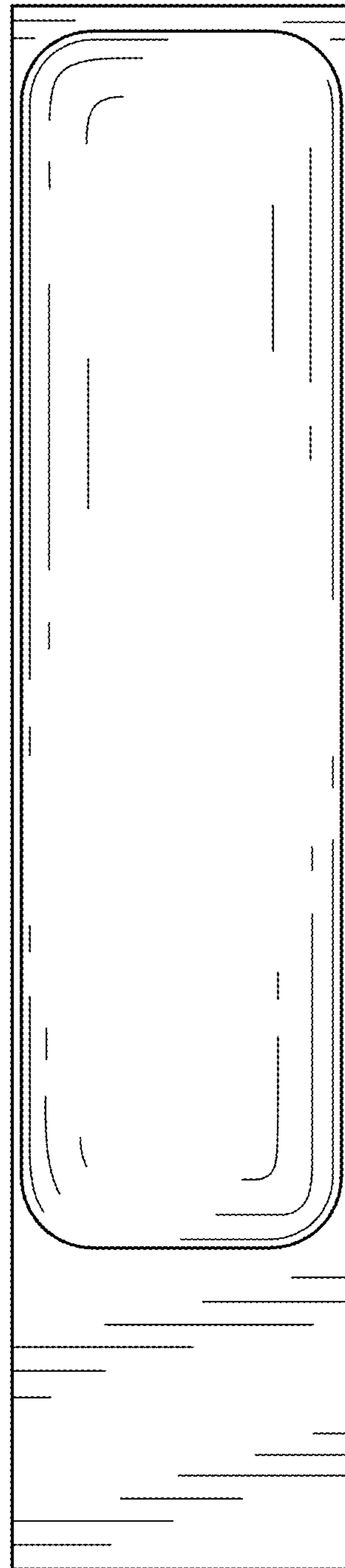


Fig. 2

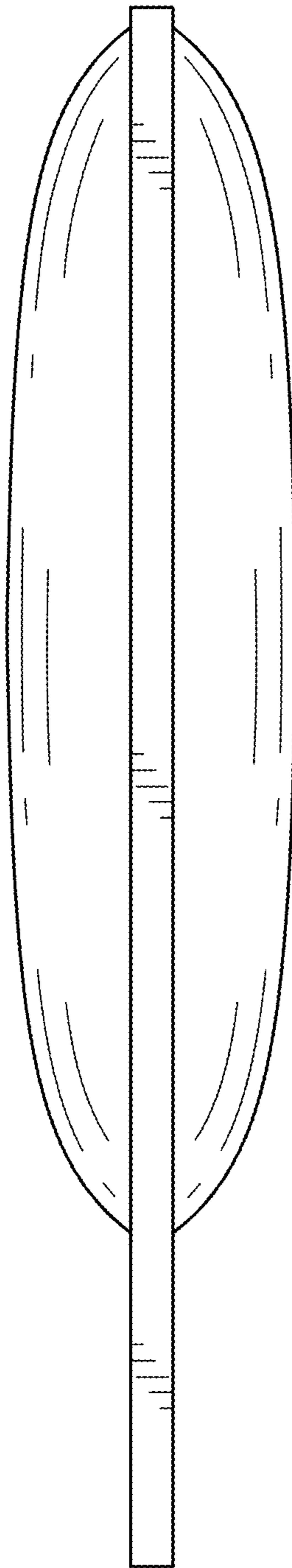


Fig. 3

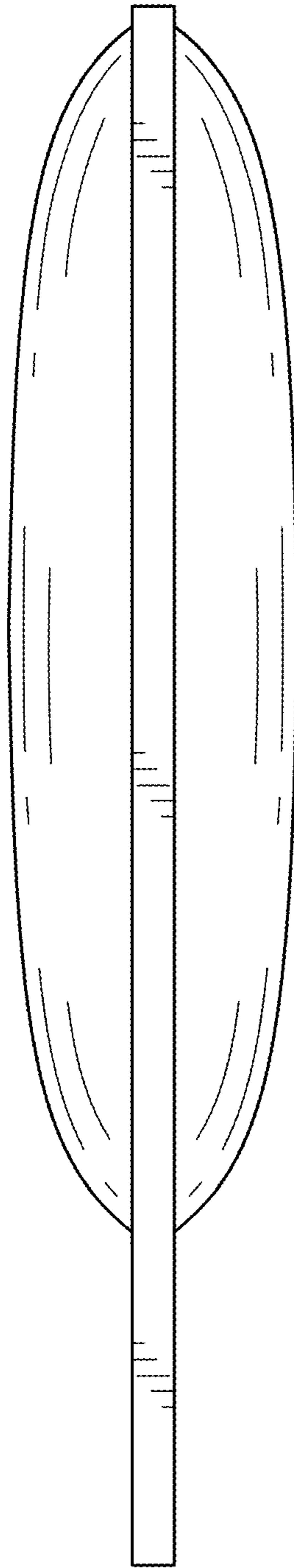


Fig. 4

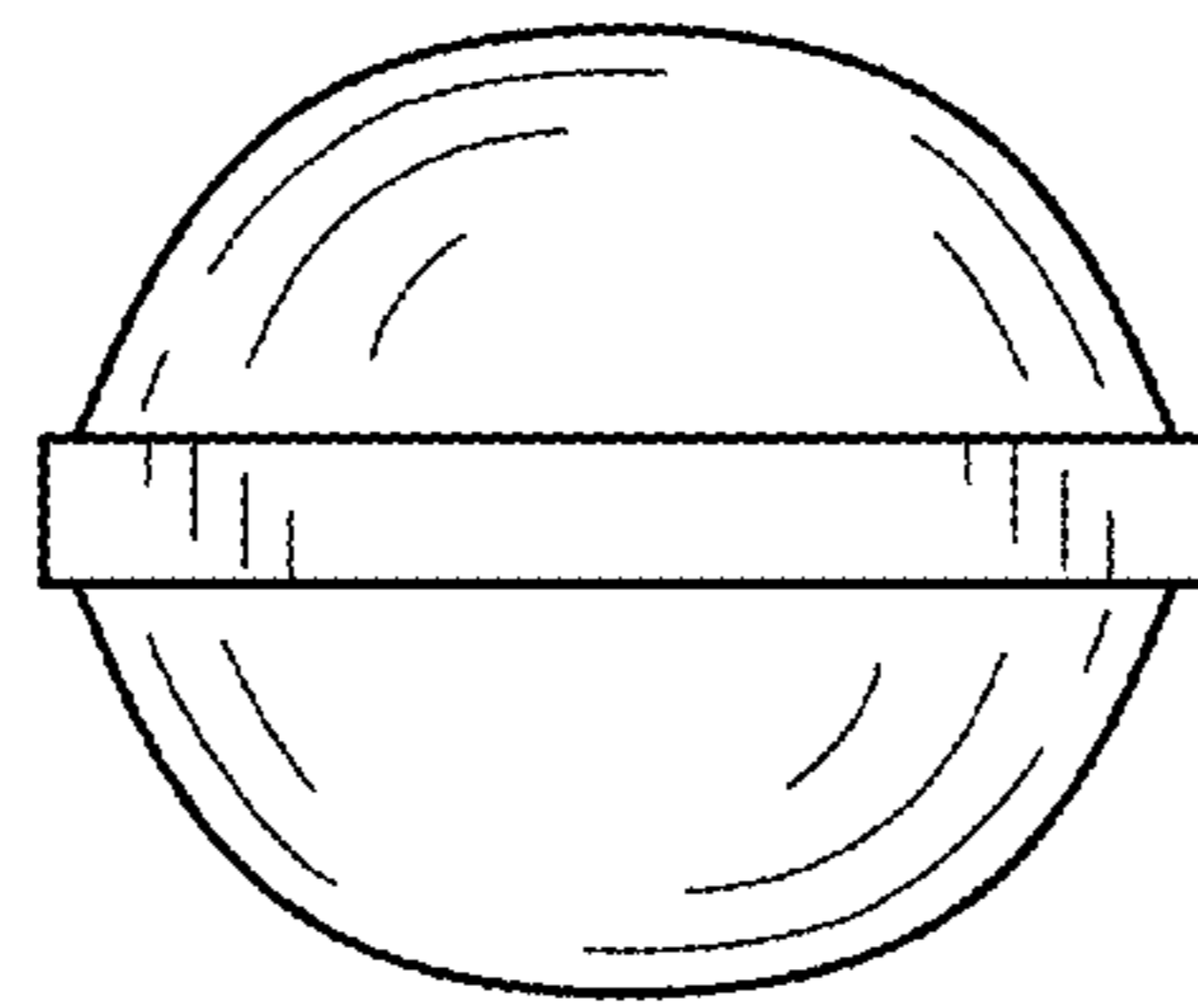


Fig. 5

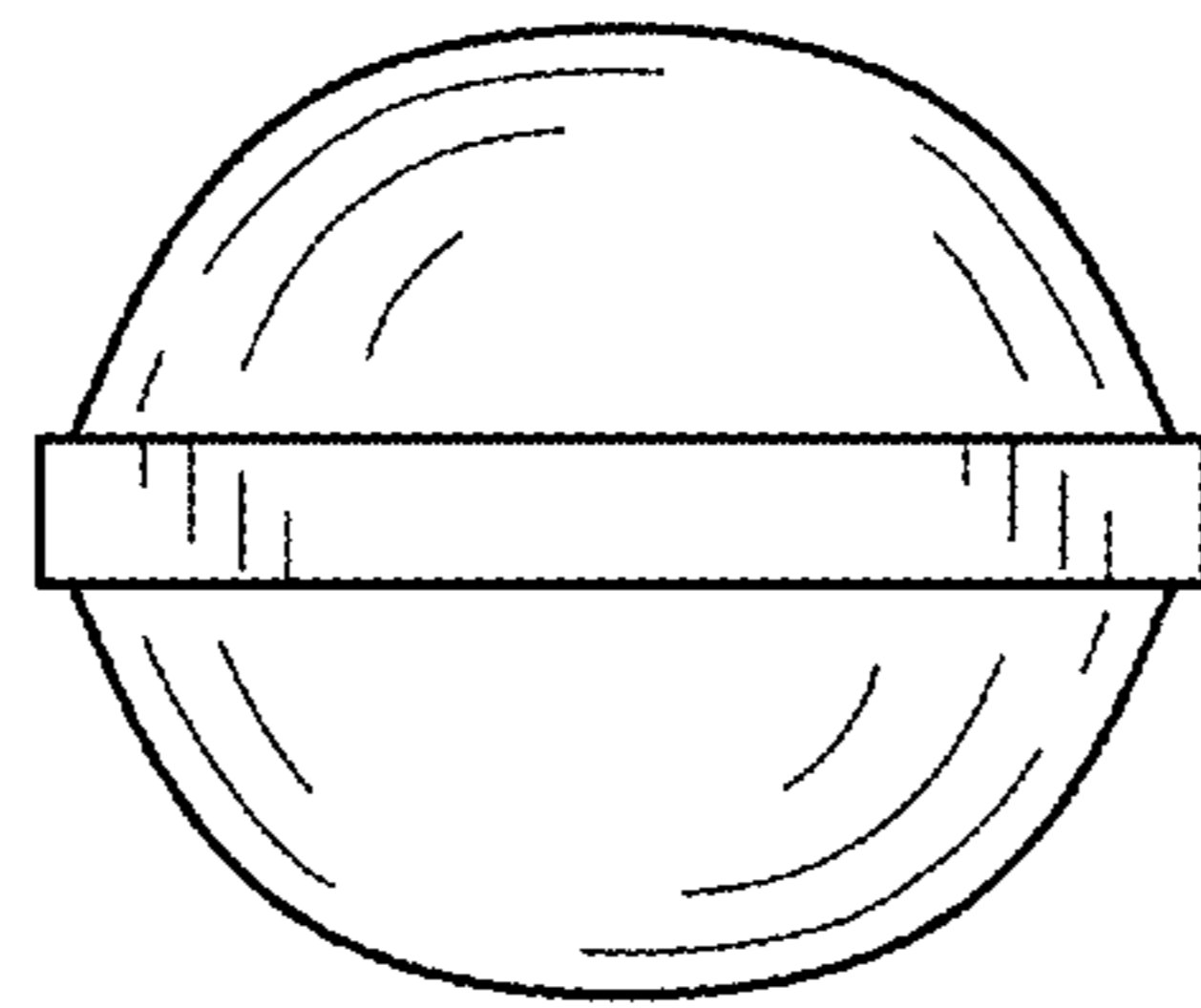


Fig. 6

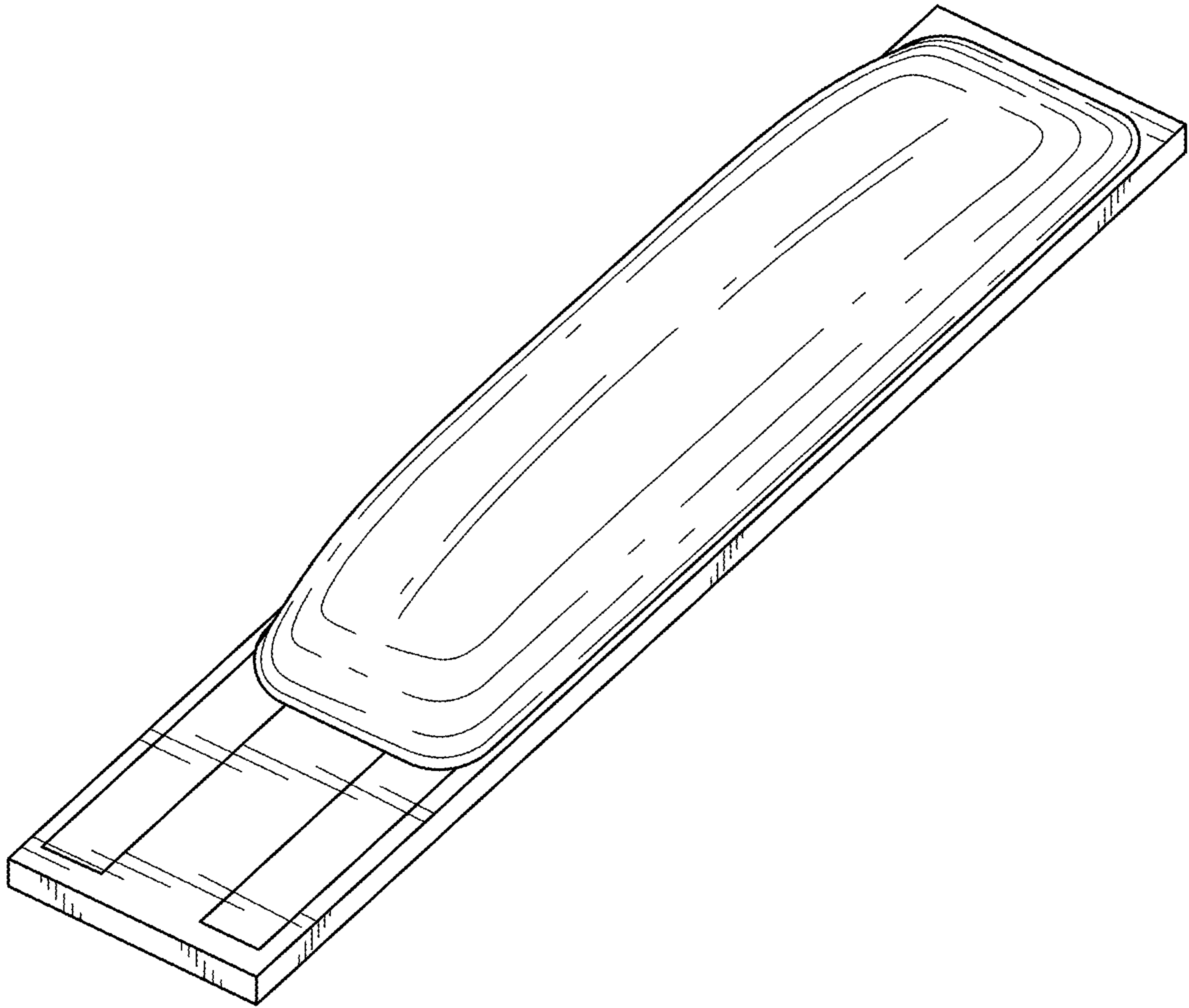


Fig. 7

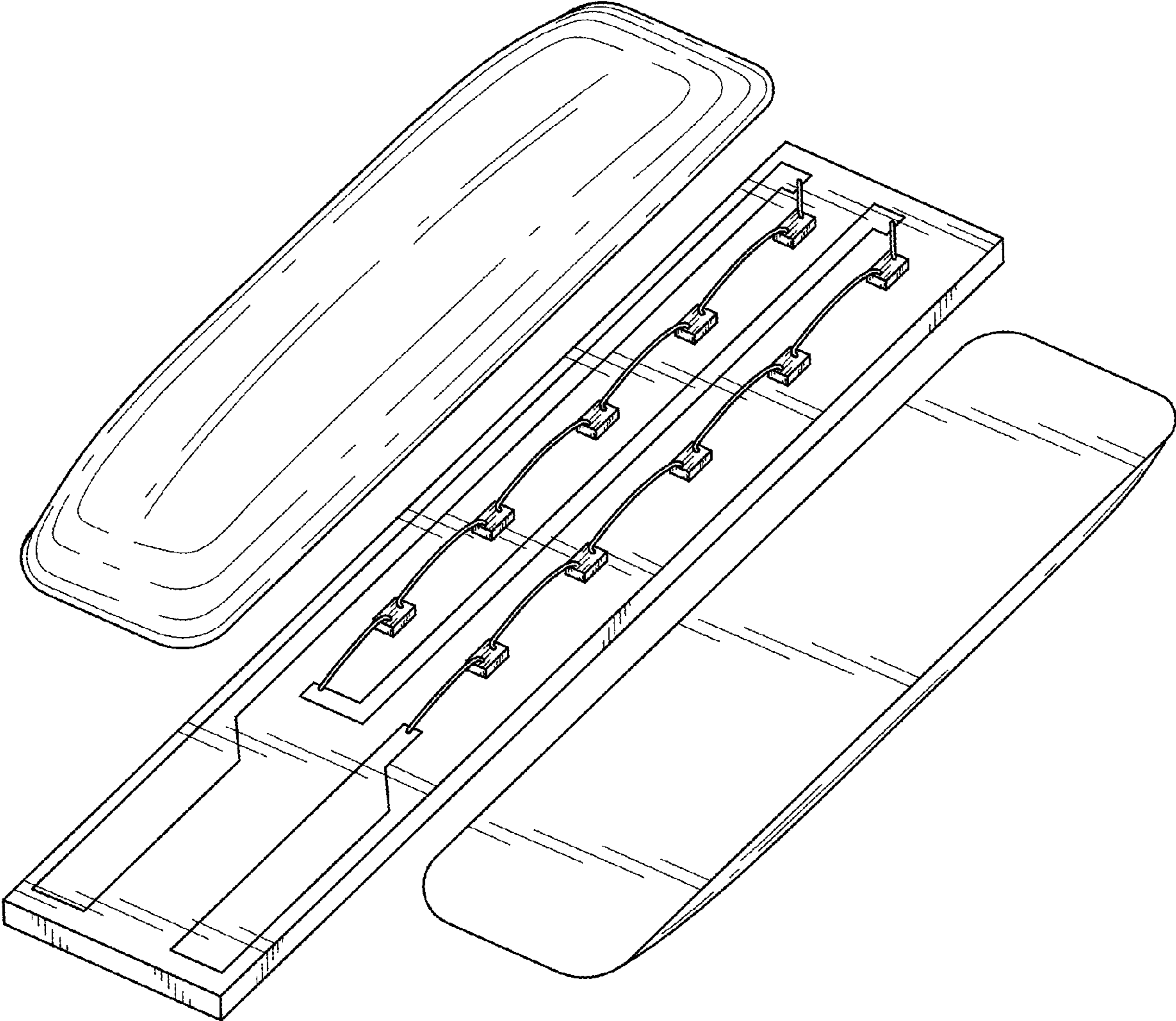


Fig. 8