



US00D873782S

(12) **United States Design Patent**
Garcia

(10) **Patent No.:** **US D873,782 S**

(45) **Date of Patent:** **** Jan. 28, 2020**

- (54) **COMPONENT CARRIER PLATE**
- (71) Applicant: **ELECTRO SCIENTIFIC INDUSTRIES, INC.**, Portland, OR (US)
- (72) Inventor: **Douglas J. Garcia**, Beaverton, OR (US)
- (73) Assignee: **ELECTRO SCIENTIFIC INDUSTRIES, INC.**, Portland, OR (US)
- (**) Term: **15 Years**
- (21) Appl. No.: **29/564,998**
- (22) Filed: **May 17, 2016**
- (51) **LOC (12) Cl.** **13-03**
- (52) **U.S. Cl.**
USPC **D13/182**
- (58) **Field of Classification Search**
USPC D8/16, 17, 18, 19, 20, 70, 90, 98;
D15/122, 123, 124, 125, 126, 127, 128,
D15/129, 130, 131, 132, 133, 134, 135,
D15/136, 137, 138, 139, 140, 141, 142,
D15/143, 144; D34/29; D13/182
CPC B25D 3/00; B25D 17/02; B25D 2250/111;
B25D 2211/003; B25D 16/00; E21B
10/52; E21B 10/16; E21B 10/567; C03B
23/047; C03B 23/0496
See application file for complete search history.

(56) **References Cited**

U.S. PATENT DOCUMENTS

4,669,416 A	6/1987	Delgado et al.	
D320,361 S *	10/1991	Karasawa	D10/103
D363,464 S *	10/1995	Fukasawa	D13/182
D376,744 S *	12/1996	Eisenblatter	D8/70
5,842,579 A	12/1998	Garcia et al.	
D436,820 S *	1/2001	Suzuki	D15/139

D453,670 S *	2/2002	Levinson	D15/139
6,710,611 B2 *	3/2004	Saulnier	G01R 31/02 324/756.07
D494,551 S *	8/2004	Doba	D13/182
D494,552 S *	8/2004	Tezuka	D13/182
D496,008 S *	9/2004	Takahashi	D13/182
6,906,508 B1 *	6/2005	Saulnier	G01R 31/013 324/756.07
D511,081 S *	11/2005	Nara	D8/70
7,017,731 B2	3/2006	Ikeda et al.	
D529,057 S *	9/2006	Willson	D15/144
7,119,299 B2	10/2006	Kojima et al.	

(Continued)

Primary Examiner — Khawaja Anwar
Assistant Examiner — Mojtaba Tehrani

(57) **CLAIM**

The ornamental design for a component carrier plate, as shown and described.

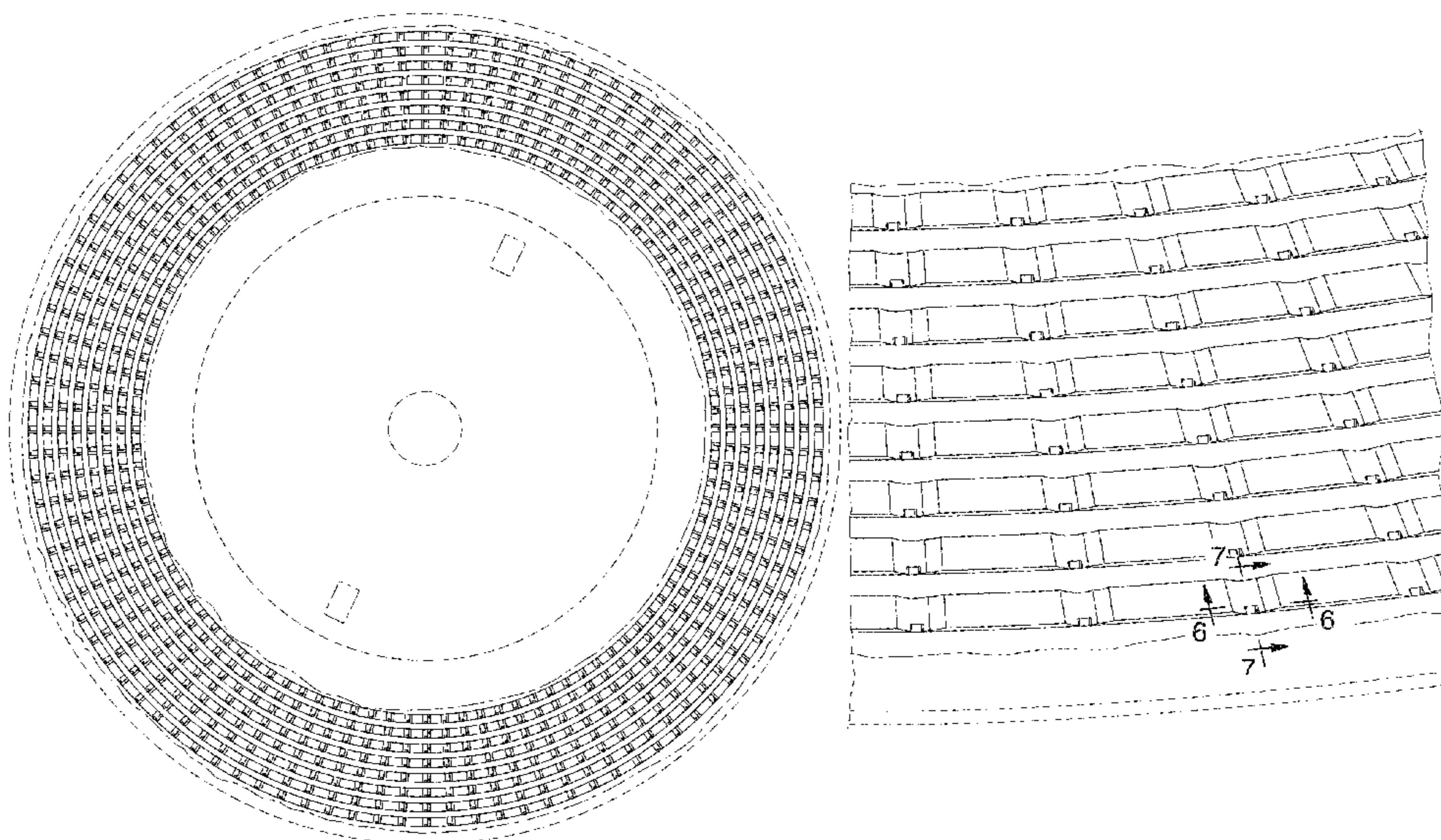
DESCRIPTION

FIG. 1 is a front perspective view of a component carrier plate, showing my new design;
 FIG. 2 is a front elevational view thereof;
 FIG. 3 is a rear elevational view thereof;
 FIG. 4 is a top plan view thereof, the bottom plan view is identical;
 FIG. 5 is an isolated partial front view thereof;
 FIG. 6 is a cross-sectional view along the line 6-6 shown in FIG. 5; and,
 FIG. 7 is a cross-sectional view of a portion of the first embodiment of the ornamental design, as viewed along the line 7-7 shown in FIG. 5.

The evenly broken lines in the drawings depict an unclaimed portion of the plate, and the dash-dot lines depict boundaries of the claim only. The broken lines form no part of the claimed design.

The dash-dot-dot broken line in the drawings depicts boundaries of the partial views only and forms no part of the claimed design.

1 Claim, 4 Drawing Sheets



(56)

References Cited

U.S. PATENT DOCUMENTS

D535,863 S * 1/2007 Cho D8/70
 D543,333 S * 5/2007 Kojima D34/29
 D544,452 S * 6/2007 Nakamura D13/182
 D552,565 S * 10/2007 Nakamura D13/182
 D553,104 S * 10/2007 Oohashi D13/182
 D559,063 S * 1/2008 Okamoto D8/70
 D559,064 S * 1/2008 Okamoto D8/70
 D559,065 S * 1/2008 Miyauchi D8/70
 D559,066 S * 1/2008 Tano D8/70
 D559,648 S * 1/2008 Miyauchi D8/70
 D560,457 S * 1/2008 Miyauchi D8/70
 7,390,158 B2 6/2008 Takagi et al.
 D576,855 S * 9/2008 Okamoto D8/70
 D581,237 S * 11/2008 Okamoto D8/70
 D584,591 S * 1/2009 Tano D8/70
 D589,471 S * 3/2009 Komatsu D13/182
 D592,029 S * 5/2009 Tano D8/70
 D592,030 S * 5/2009 Tano D8/70
 D600,989 S * 9/2009 Tano D8/70
 D609,655 S * 2/2010 Sugimoto D13/182
 D616,389 S * 5/2010 Takahashi D13/182
 7,819,235 B2 * 10/2010 Van Bossuyt G01R 31/01
 198/471.1
 7,888,949 B2 * 2/2011 Barrett G01R 35/005
 209/573
 D639,755 S * 6/2011 Root D13/182
 8,033,382 B2 10/2011 Sasaoka et al.
 D648,289 S * 11/2011 Mayer D13/182
 D649,126 S * 11/2011 Takahashi D13/182
 8,051,975 B2 * 11/2011 Sasaoka H05K 13/021
 198/478.1
 D664,249 S * 7/2012 Wang D13/182

8,231,323 B2 * 7/2012 McKeever B07C 3/12
 324/750.3
 D678,745 S * 3/2013 Nguyen D8/70
 D679,299 S * 4/2013 Greiderer D15/126
 D694,790 S * 12/2013 Matsumoto D15/138
 D694,791 S * 12/2013 Matsumoto D15/138
 D695,325 S * 12/2013 Becker D15/131
 D697,038 S * 1/2014 Matsumoto D13/182
 D703,162 S * 4/2014 Tamaso D13/182
 D718,796 S * 12/2014 Popov D15/126
 D724,635 S * 3/2015 Eisenblatter D15/126
 D731,448 S * 6/2015 Kinoshita D13/182
 D734,376 S * 7/2015 Lefas D15/131
 D741,921 S * 10/2015 Jarvius D15/136
 D741,925 S * 10/2015 Flegel D15/139
 D743,357 S * 11/2015 Vyne D13/182
 D746,344 S * 12/2015 Truty D15/126
 D768,743 S * 10/2016 Yamamoto D15/143
 D784,937 S * 4/2017 Motoyama D13/182
 D787,458 S * 5/2017 Kim D13/182
 D789,888 S * 6/2017 Jang D13/121
 D790,489 S * 6/2017 Toyomura D13/182
 D795,208 S * 8/2017 Sasaki D13/182
 D809,033 S * 1/2018 Wakisaka D15/143
 D825,504 S * 8/2018 Zhang D13/182
 D836,573 S * 12/2018 Ichino D13/182
 D851,613 S * 6/2019 Johanson D13/182
 D859,331 S * 9/2019 Yamamoto D13/182
 D859,484 S * 9/2019 Kondo D15/199
 D860,747 S * 9/2019 Russo D8/70
 2004/0075036 A1 * 4/2004 Saulnier G01R 27/2635
 248/346.01

* cited by examiner

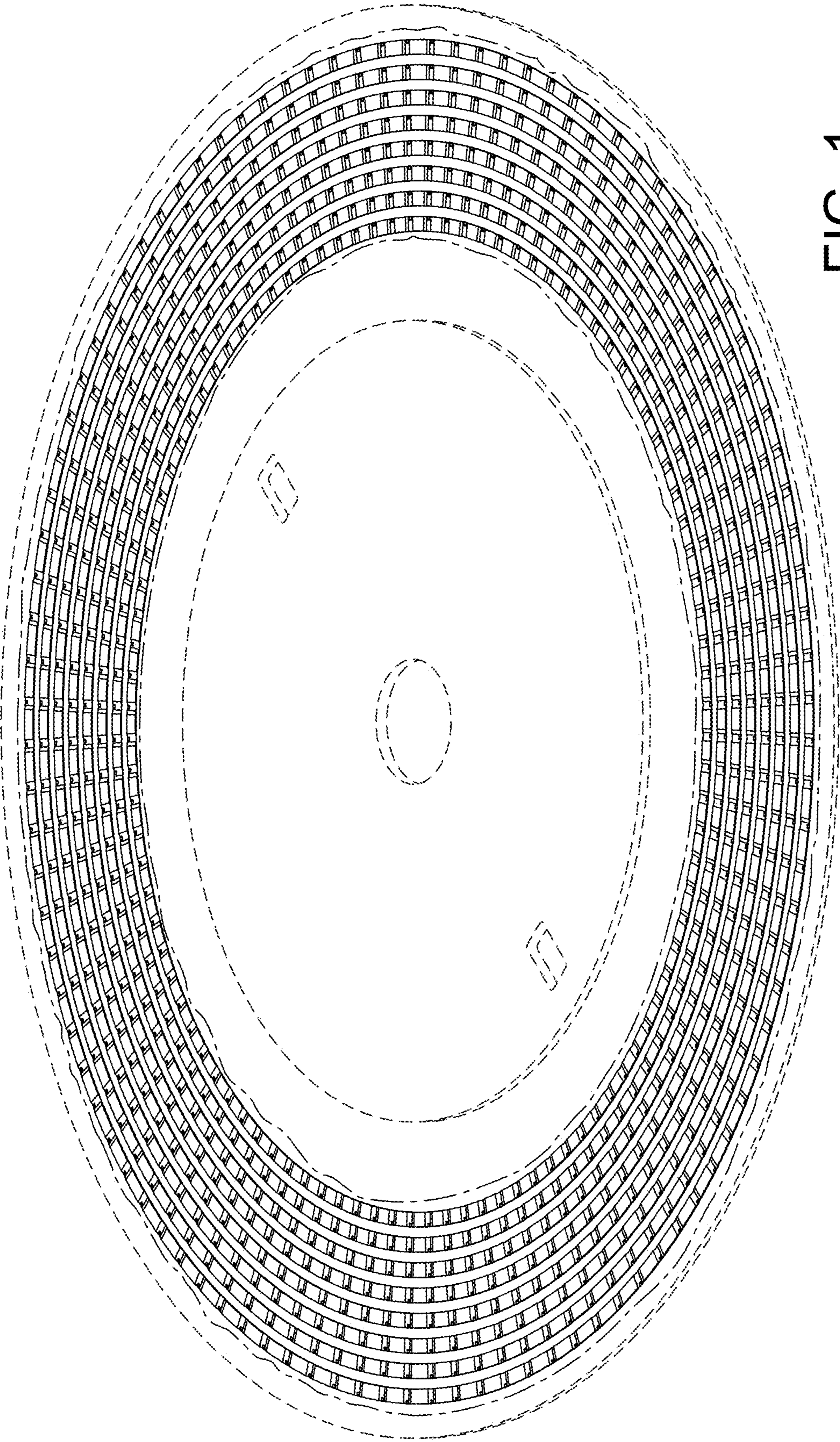


FIG. 1

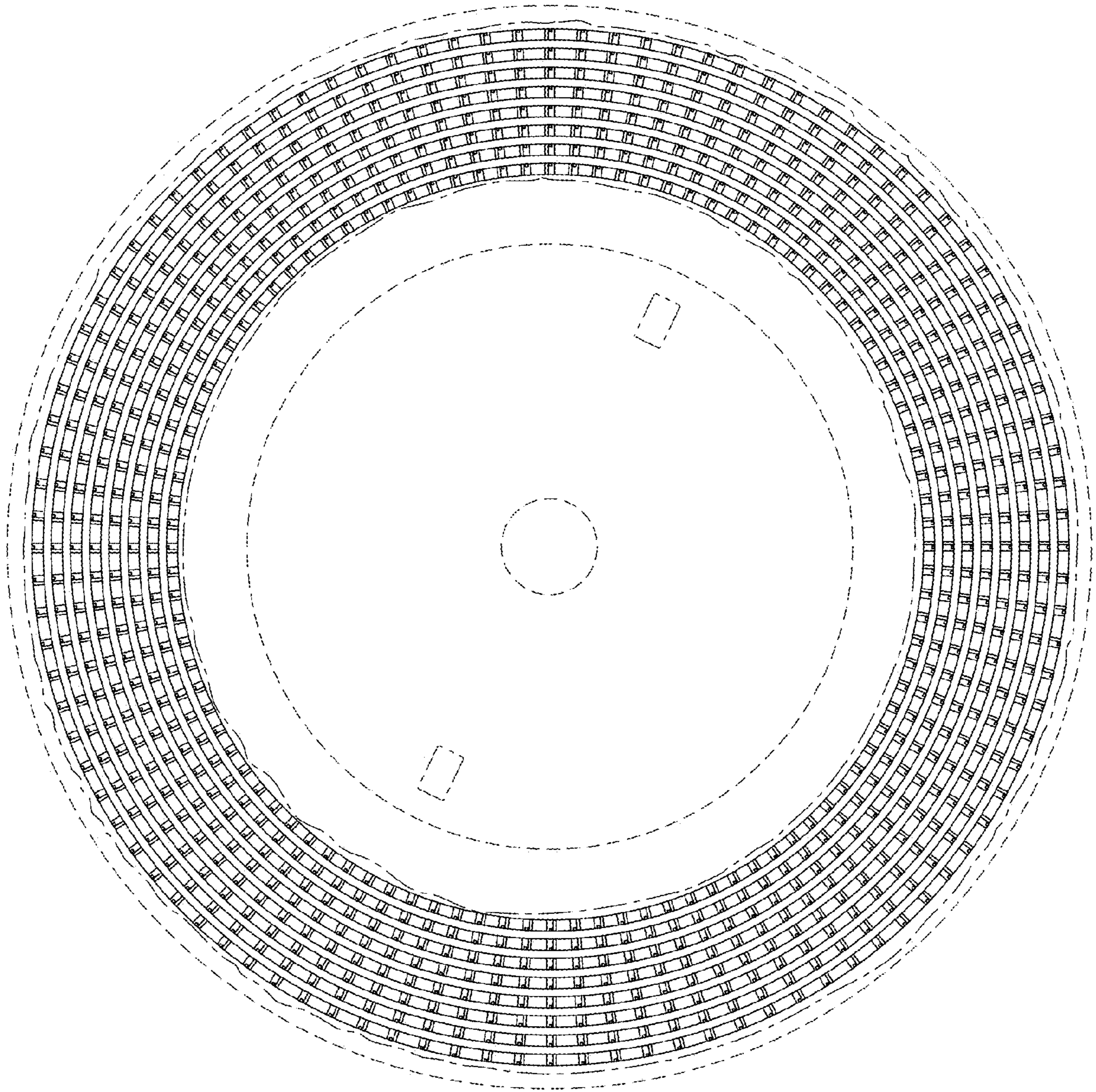


FIG. 2

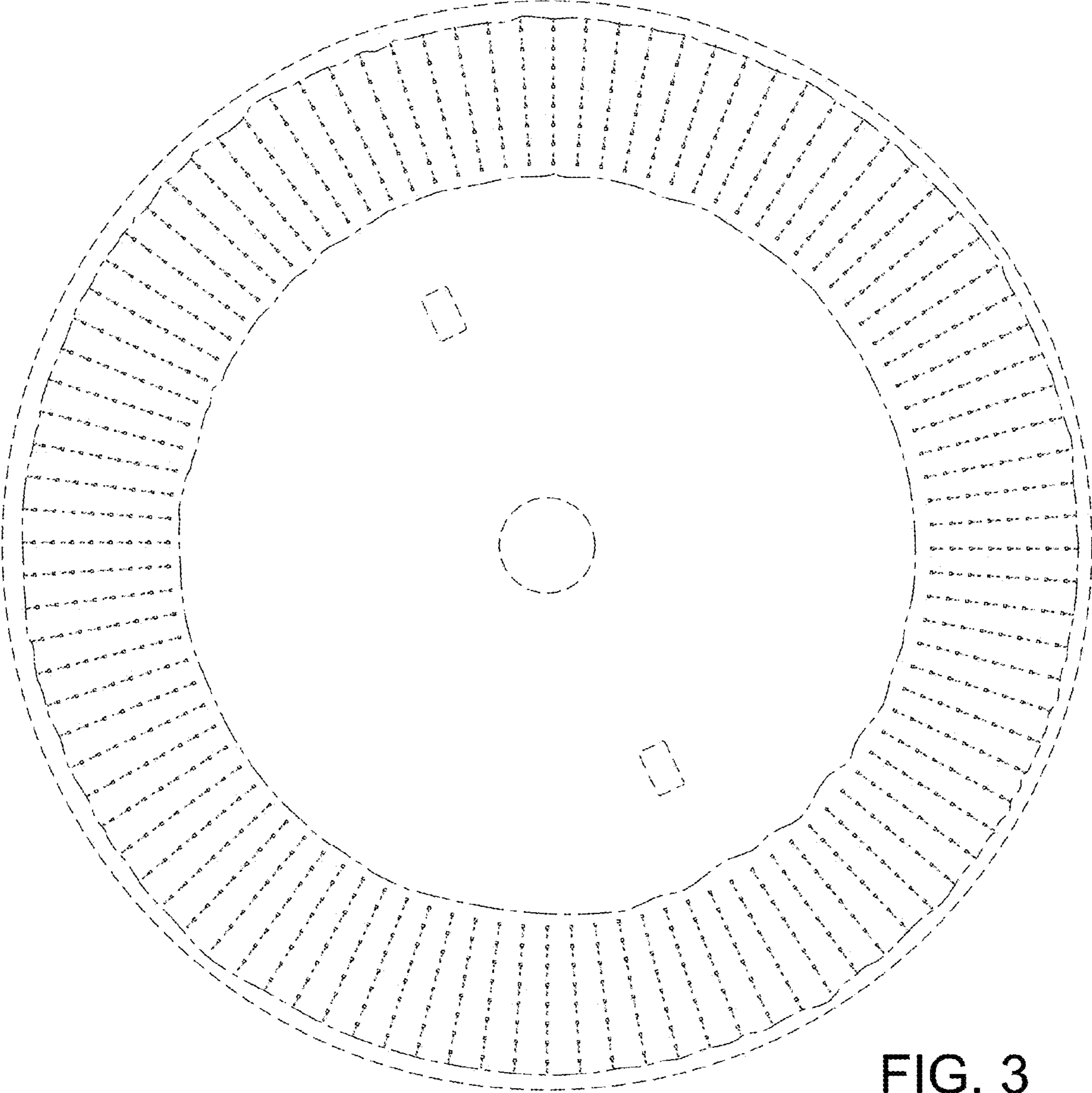


FIG. 3

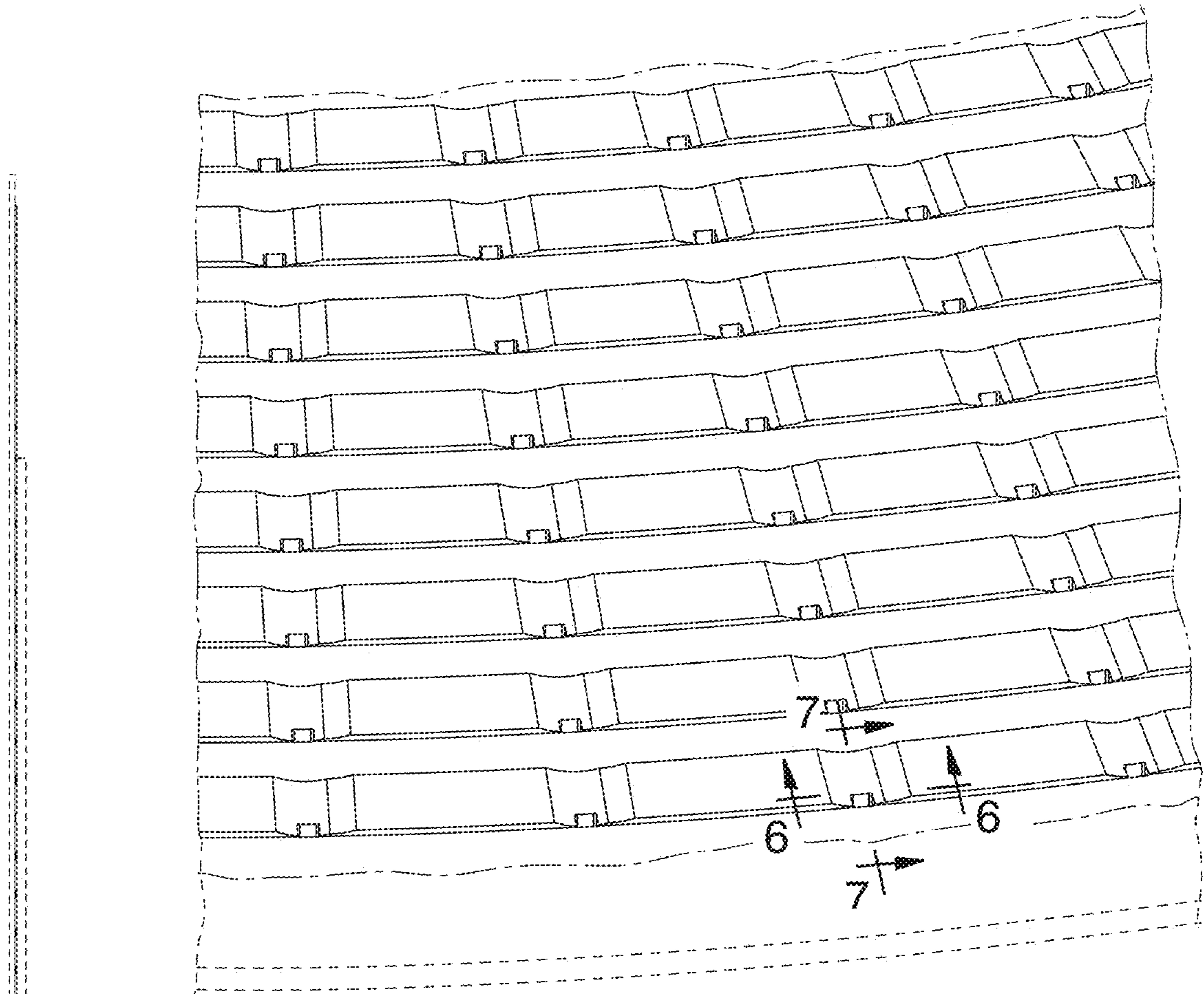


FIG. 5



FIG. 6

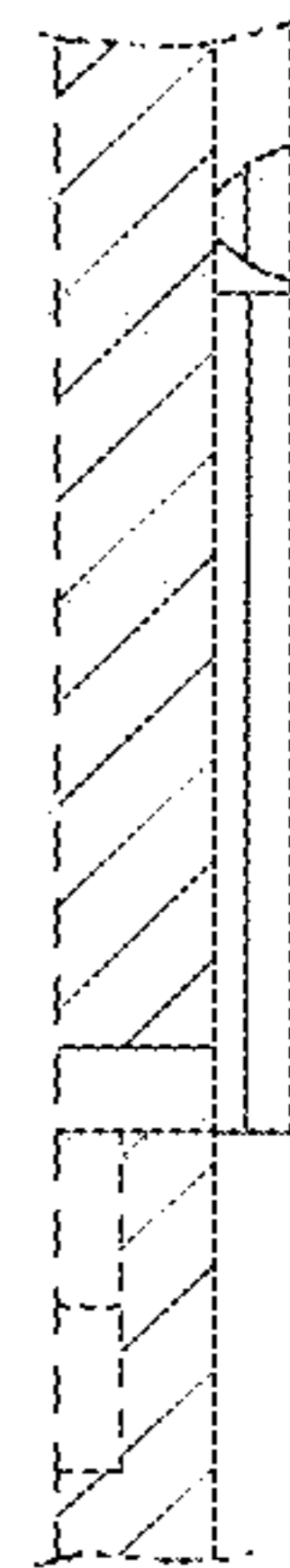


FIG. 7

FIG. 4