



US00D873780S

(12) **United States Design Patent**  
**Yan et al.**

(10) **Patent No.:** **US D873,780 S**  
(45) **Date of Patent:** **\*\* Jan. 28, 2020**

(54) **INDUSTRIAL ROBOT CONTROLLER**

(71) Applicant: **ABB Schweiz AG**, Baden (CH)

(72) Inventors: **Wenzhou Yan**, Shanghai (CN); **Jingwei Liu**, Shanghai (CN); **Chunping Zhang**, Shanghai (CN)

(73) Assignee: **ABB Schweiz AG**, Baden (CH)

(\*\*) Term: **15 Years**

(21) Appl. No.: **29/668,229**

(22) Filed: **Oct. 29, 2018**

**Related U.S. Application Data**

(62) Division of application No. 29/631,250, filed on Dec. 28, 2017, now Pat. No. Des. 840,953.

(30) **Foreign Application Priority Data**

Sep. 29, 2017 (CN) ..... 2017 3 0470525

(51) **LOC (12) Cl.** ..... **13-03**

(52) **U.S. Cl.**  
USPC ..... **D13/162**; D13/162.1

(58) **Field of Classification Search**  
USPC ..... D13/162, 162.1, 163, 199; D15/199  
CPC ... B25J 9/16; B25J 9/161; B25J 9/1602; B25J 9/1065; G05B 19/18; G05B 19/19; G05B 19/418; G06F 1/26; G06F 1/266; G06F 1/28; H05K 7/0017; H05K 7/1462; H05K 7/1467; H05K 7/1468

See application file for complete search history.

(56) **References Cited**

**U.S. PATENT DOCUMENTS**

6,032,086 A \* 2/2000 Hashimoto ..... B25J 9/1602  
700/245  
D480,367 S \* 10/2003 Droulin ..... D13/162.1

D481,014 S \* 10/2003 Droulin ..... D13/162.1  
7,577,497 B2 \* 8/2009 Johannessen ..... B25J 9/1674  
318/568.11  
D607,843 S \* 1/2010 Borax ..... D13/162  
7,774,099 B2 \* 8/2010 Kobayashi ..... B25J 9/1671  
318/560  
8,141,962 B2 \* 3/2012 Ohfuchi ..... H05K 7/1467  
312/201  
8,421,268 B2 \* 4/2013 Reese ..... H05K 7/1467  
307/38  
D840,953 S \* 2/2019 Yan ..... D13/162

(Continued)

*Primary Examiner* — Selina Sikder

(74) *Attorney, Agent, or Firm* — Taft Stettinius & Hollister LLP; J. Bruce Schelkopf

(57) **CLAIM**

The ornamental design for an industrial robot controller, as shown and described.

**DESCRIPTION**

FIG. 1 illustrates a front view of an industrial robot controller.

FIG. 2 illustrates a rear view of the industrial robot controller shown in FIG. 1.

FIG. 3 illustrates a left side view of the industrial robot controller shown in FIG. 1.

FIG. 4 illustrates a right side view of the industrial robot controller shown in FIG. 1.

FIG. 5 illustrates a top view of the industrial robot controller shown in FIG. 1.

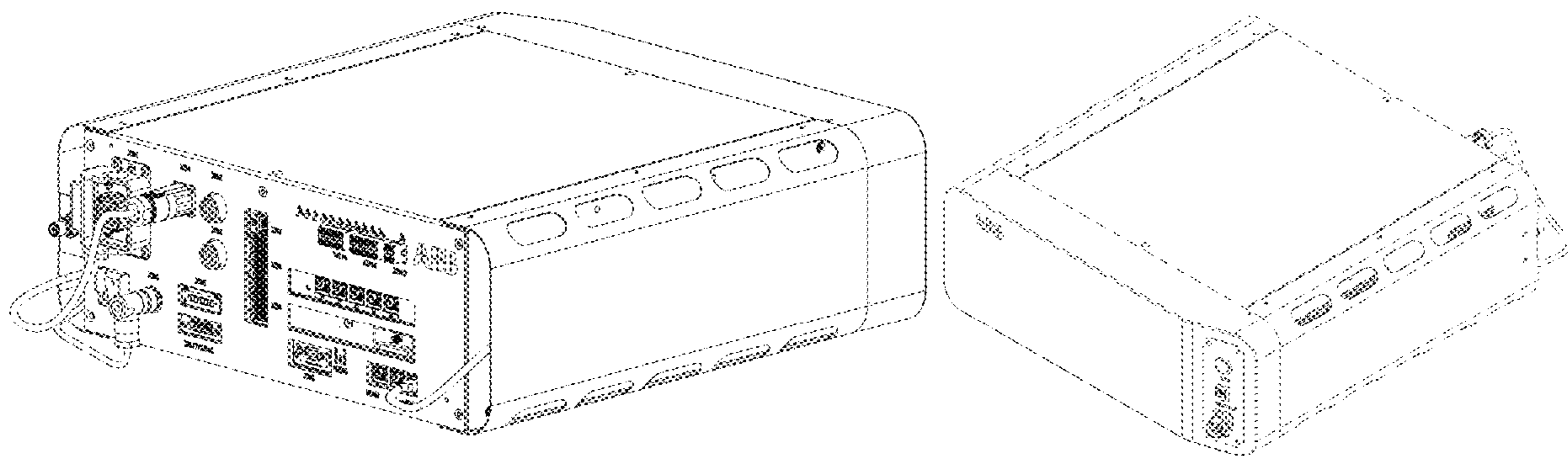
FIG. 6 illustrates a bottom view of the industrial robot controller shown in FIG. 1.

FIG. 7 illustrates a bottom perspective view of the industrial robot controller shown in FIG. 1.

FIG. 8 illustrates a bottom perspective view of the industrial robot controller shown in FIG. 1; and,

FIG. 9 illustrates a front perspective view of the industrial robot controller shown in FIG. 1.

**1 Claim, 9 Drawing Sheets**



(56)

**References Cited**

U.S. PATENT DOCUMENTS

2007/0119049 A1 \* 5/2007 Teranaka ..... B25J 9/1602  
29/740

\* cited by examiner

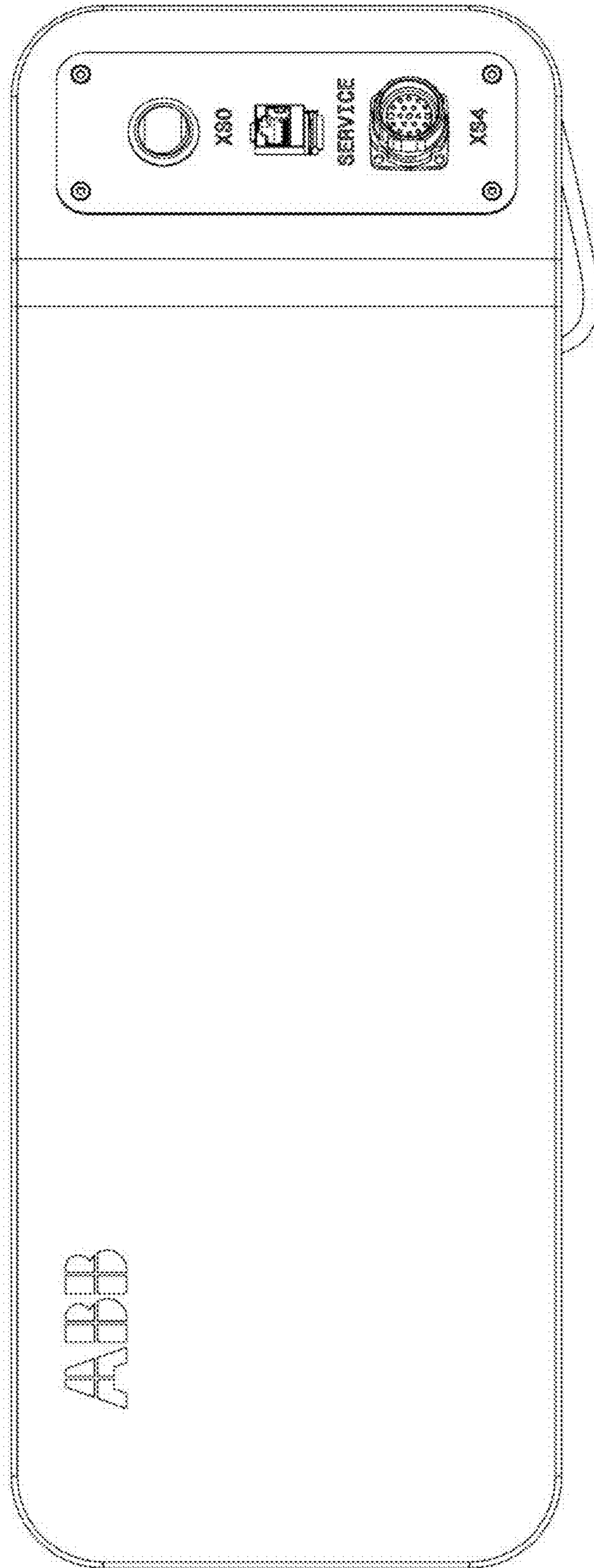


FIGURE 1



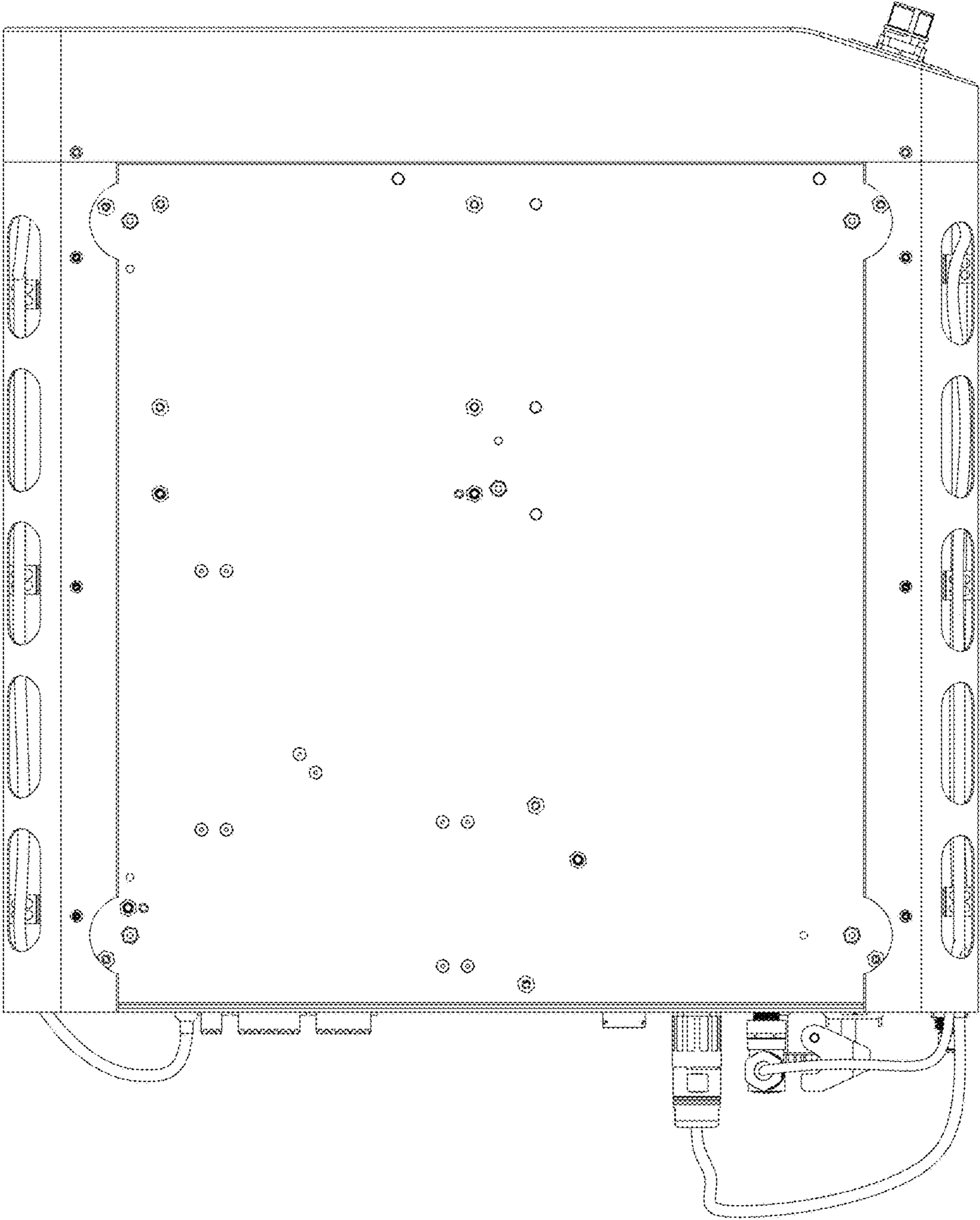


FIGURE 3

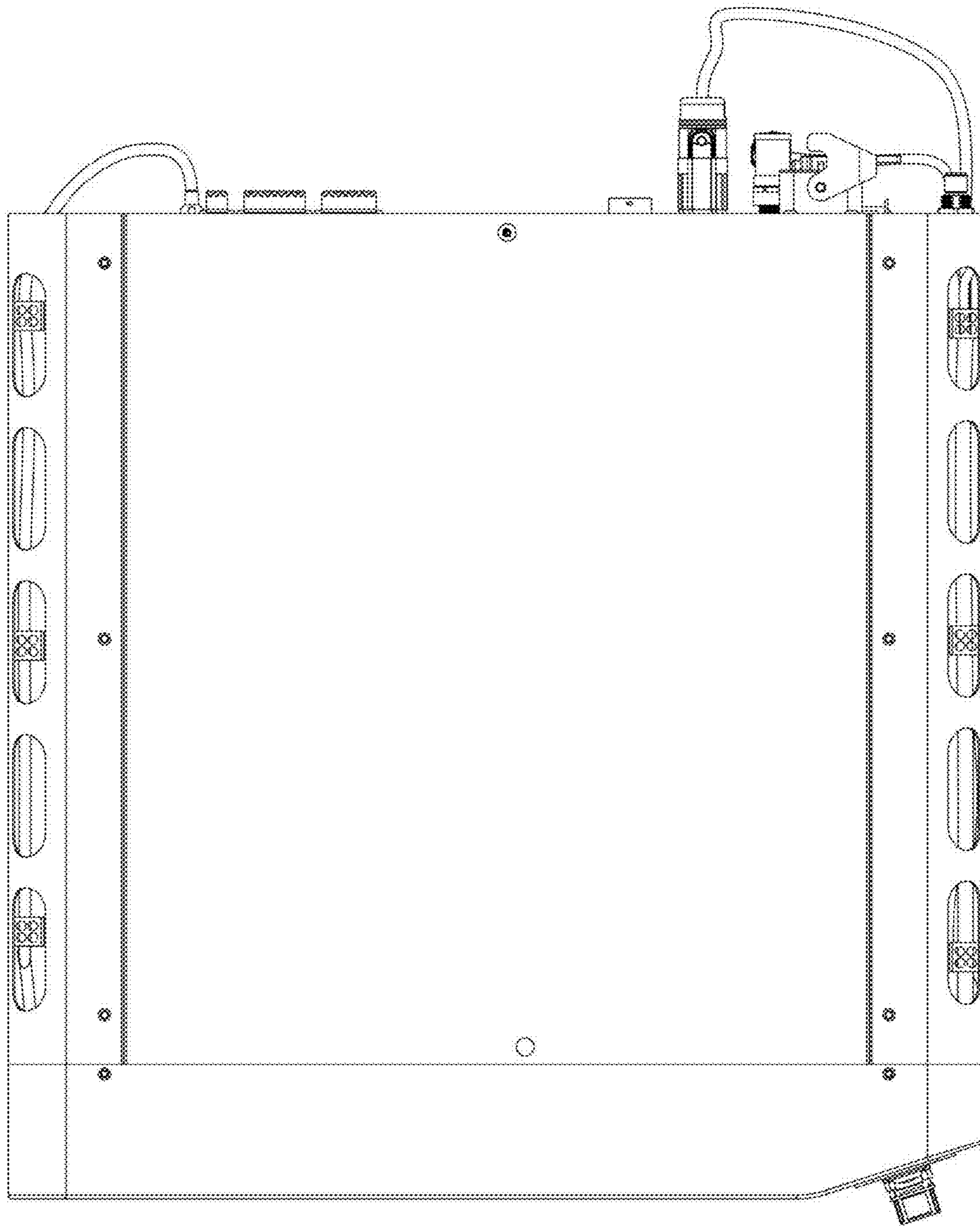


FIGURE 4

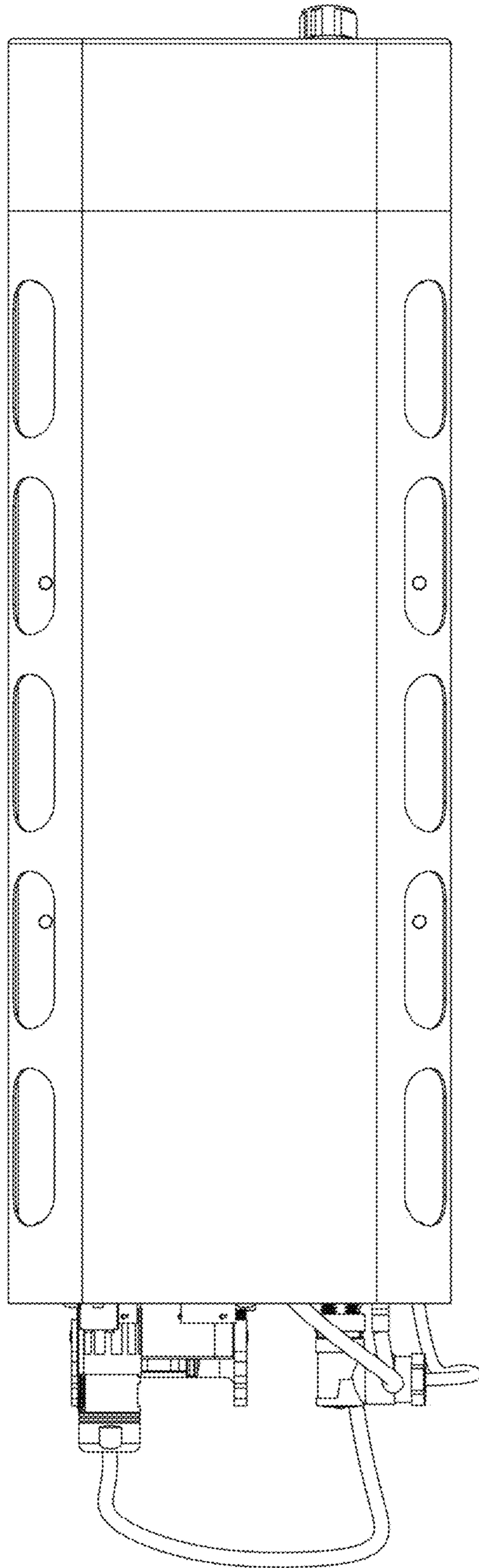


FIGURE 5

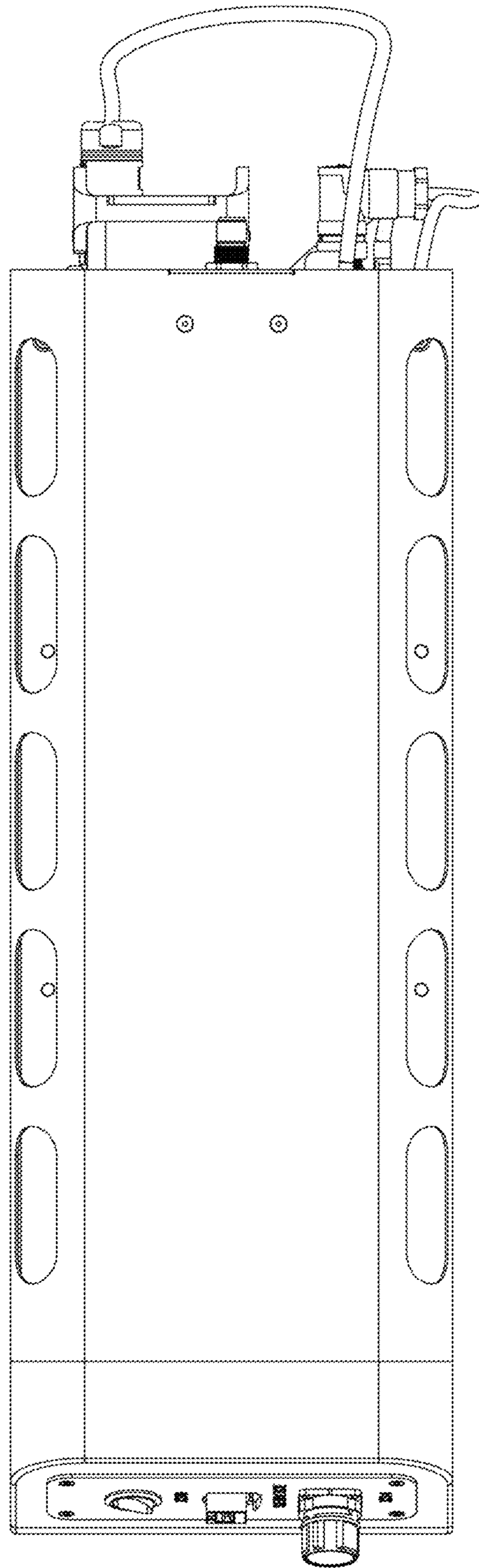


FIGURE 6



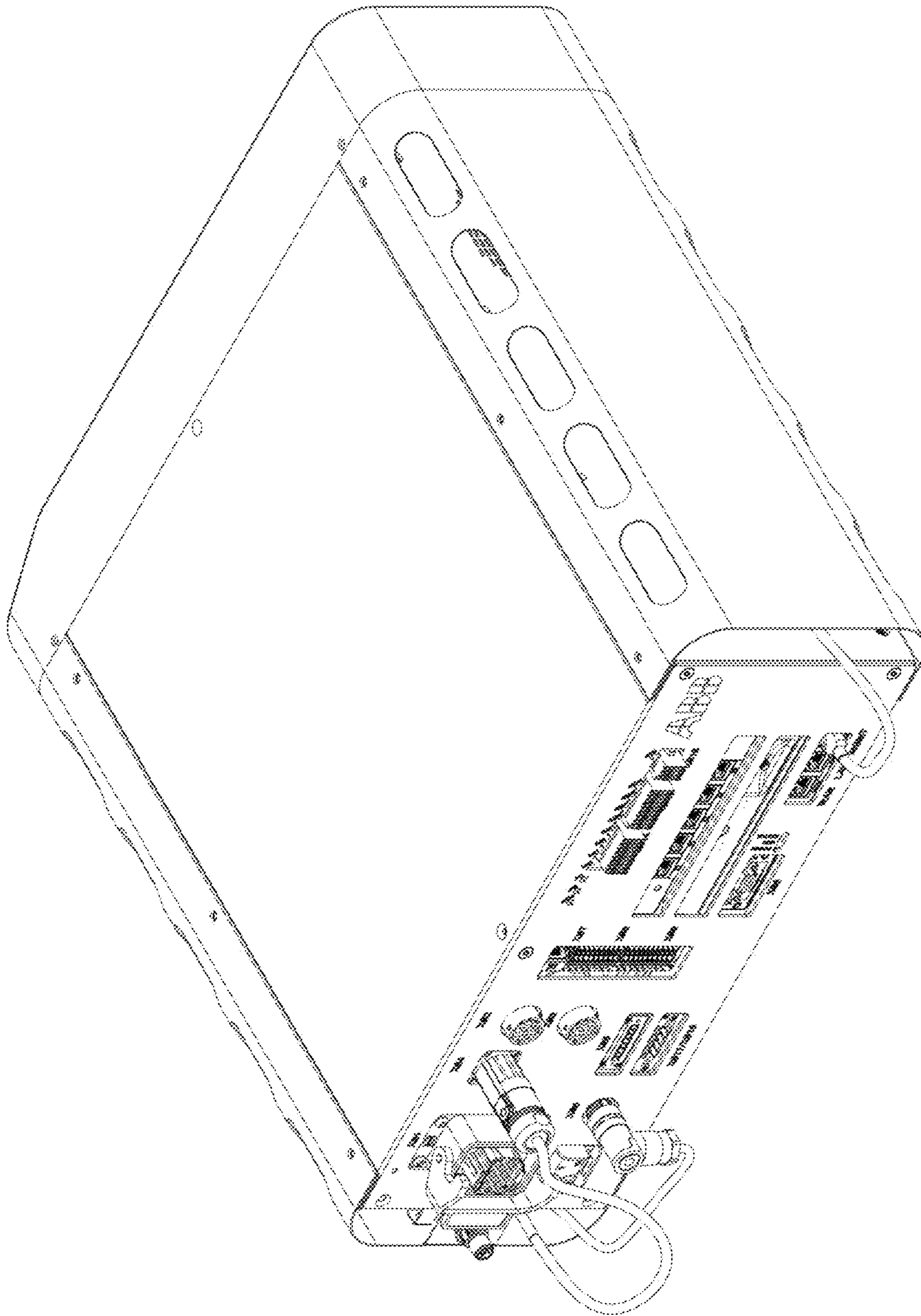


FIGURE 7

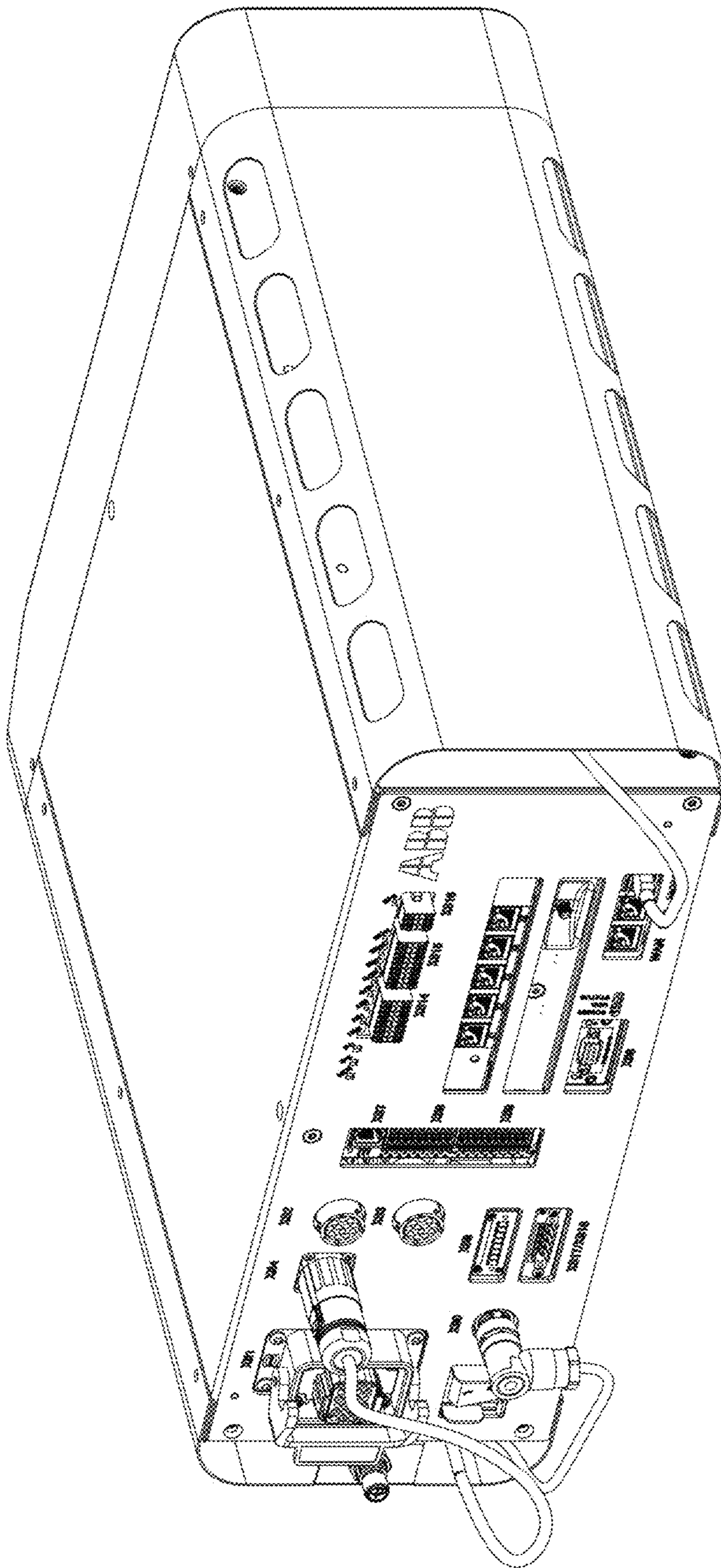


FIGURE 8

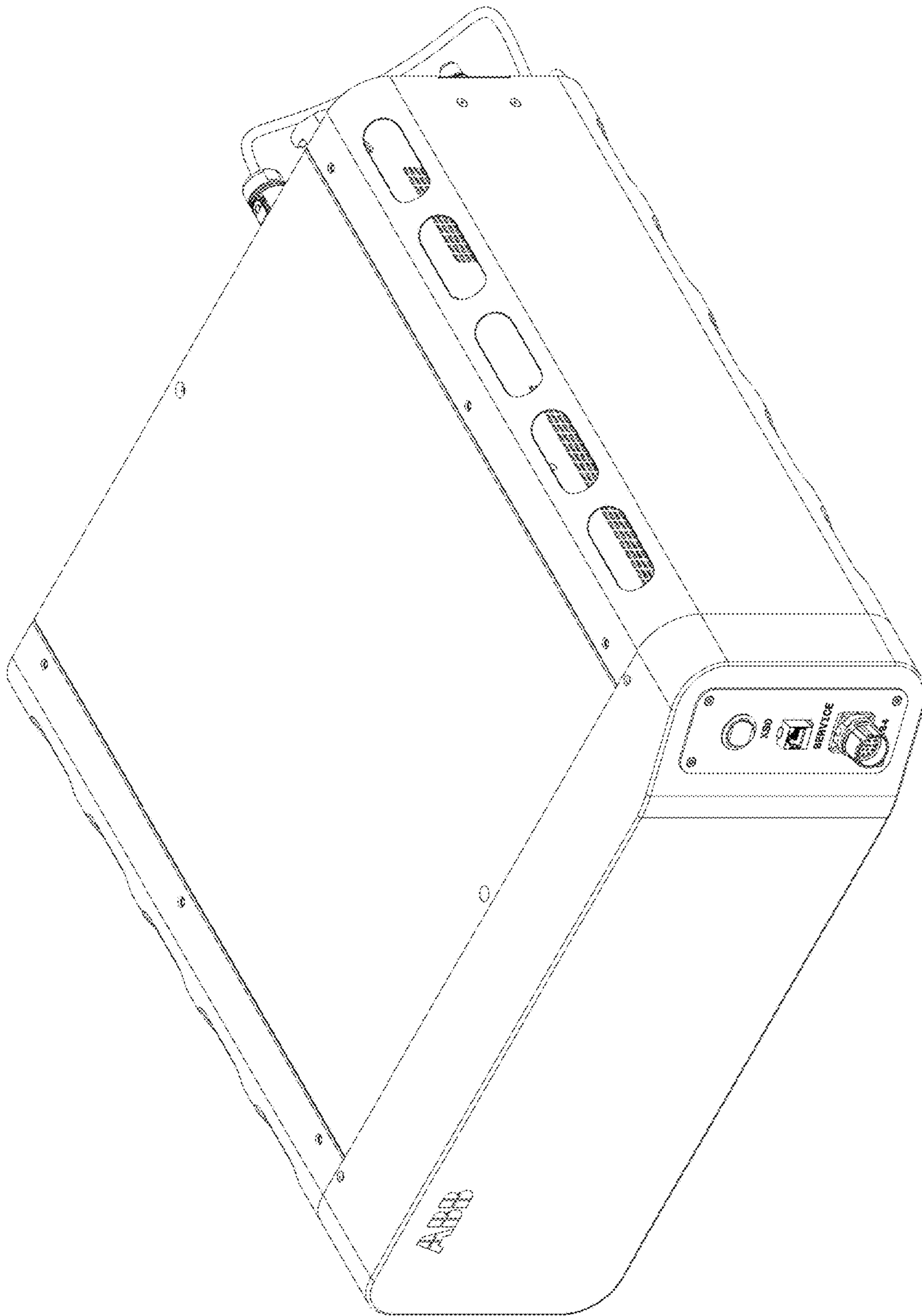


FIGURE 9