



US00D873778S

(12) **United States Design Patent**
Hirayama

(10) **Patent No.:** **US D873,778 S**

(45) **Date of Patent:** **** Jan. 28, 2020**

(54) **OUTLET BOX**

(71) Applicants: **Akiteru Hirayama**, Shizuoka-Shi (JP);
Aki Hirayama, Shizuoka-Shi (JP);
Rinta Hirayama, Shizuoka-Shi (JP); **Ai Hirayama**, Shizuoka-Shi (JP)

(72) Inventor: **Akiteru Hirayama**, Shizuoka (JP)

(73) Assignees: **Akiteru Hirayama**, Shizuoka-Shi, Shizuoka (JP); **Rinta Hirayama**, Shizuoka-Shi, Shizuoka (JP); **Ai Hirayama**, Shizuoka-Shi, Shizuoka (JP); **Aki Hirayama**, Shizuoka-Shi, Shizuoka (JP)

(**) Term: **15 Years**

(21) Appl. No.: **29/648,555**

(22) Filed: **May 22, 2018**

(30) **Foreign Application Priority Data**

Nov. 24, 2017 (JP) D2017-026112

(51) **LOC (12) Cl.** **13-03**

(52) **U.S. Cl.**
USPC **D13/152**

(58) **Field of Classification Search**
USPC D13/107, 108, 110, 123, 133,
D13/137.1–137.4, 138.1–138.2,
D13/139.1–139.8, 152, 154, 184
CPC H01R 11/00; H01R 9/00; H01R 13/00;
H01R 13/04; H01R 13/10; H01R
13/6666; H01R 13/6675; H01R 25/00;
H01R 25/006; H01H 2207/00; H01H
2207/022

See application file for complete search history.

(56) **References Cited**

U.S. PATENT DOCUMENTS

D300,777 S * 4/1989 Bales D23/385
D387,730 S * 12/1997 McCarthy D13/133

D559,789 S * 1/2008 Dinh D13/152
D580,877 S * 11/2008 Farahani D13/146
D642,536 S * 8/2011 Robinson D13/154
D676,387 S * 2/2013 Kennedy D13/137.2
D677,634 S * 3/2013 Korcz D13/152
D721,041 S * 1/2015 Badowski D13/152
D739,355 S * 9/2015 D'Aubeterre D13/139.8
D749,521 S * 2/2016 Badowski D13/152
10,050,393 B1 * 8/2018 Calabrese H01R 27/00
D833,977 S * 11/2018 Danesh D13/152
D845,239 S * 4/2019 McMillan D13/133

* cited by examiner

Primary Examiner — Rosemary K Tarcza

Assistant Examiner — Christy M Nemeth

(74) *Attorney, Agent, or Firm* — Myers Wolin, LLC

(57) **CLAIM**

The ornamental design for an outlet box, as shown and described.

DESCRIPTION

FIG. 1 is a top perspective view of an outlet box showing my design;

FIG. 2 is a bottom perspective view thereof;

FIG. 3 is a top plan view thereof;

FIG. 4 is a front elevational view thereof, with the rear elevational view right side elevational view, and the-left side elevational view being mirror images thereof;

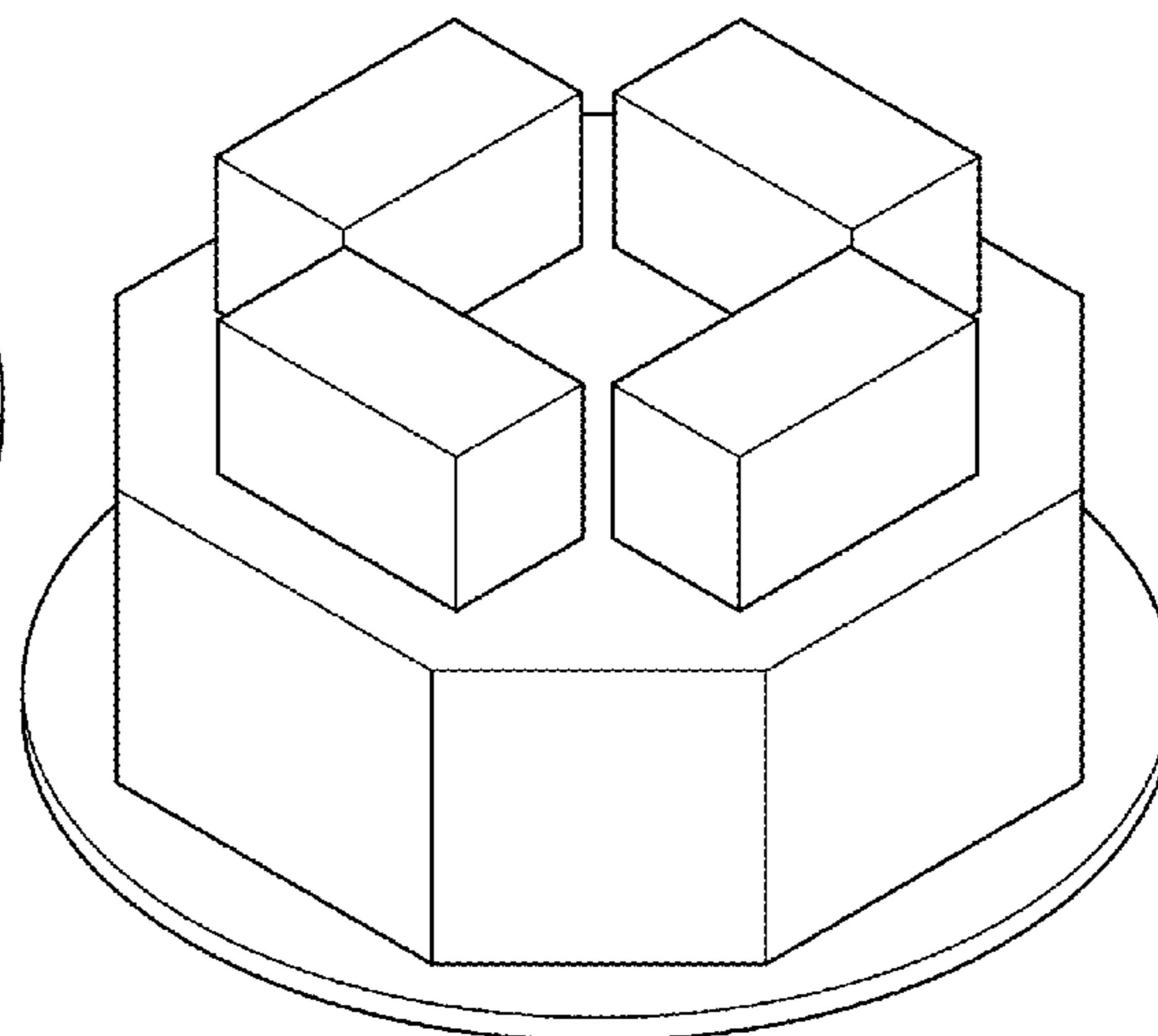
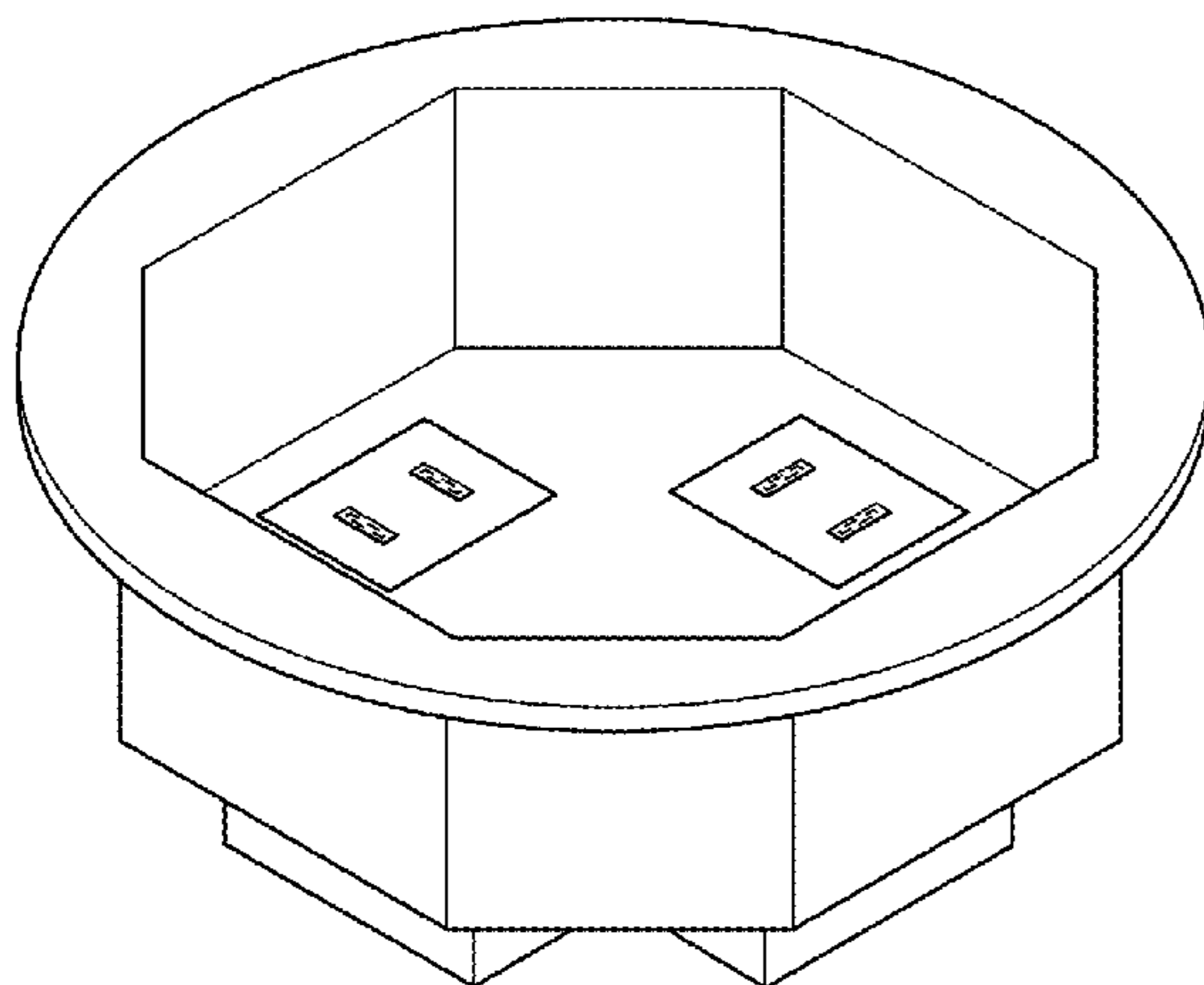
FIG. 5 is a bottom view thereof;

FIG. 6 is cross sectional view taken through line 6-6 of FIG. 3; and,

FIG. 7 is a cross sectional view taken through line 6-6 of FIG. 3, shown with additional broken line subject matter, in a state of use.

The broken lines in the drawings are for the purpose of illustrating portions of the outlet box form no part of the claimed design.

1 Claim, 3 Drawing Sheets



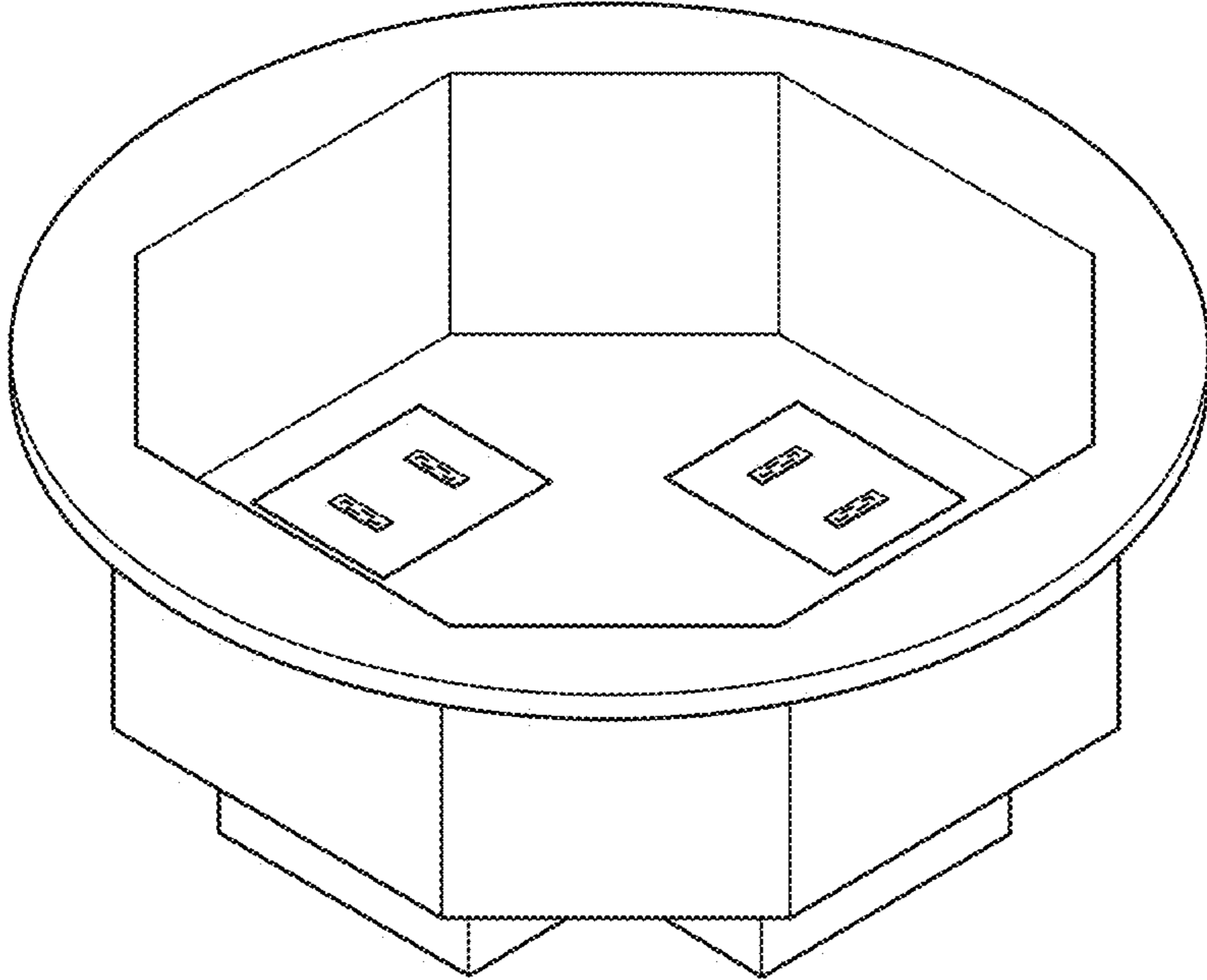


FIG. 1

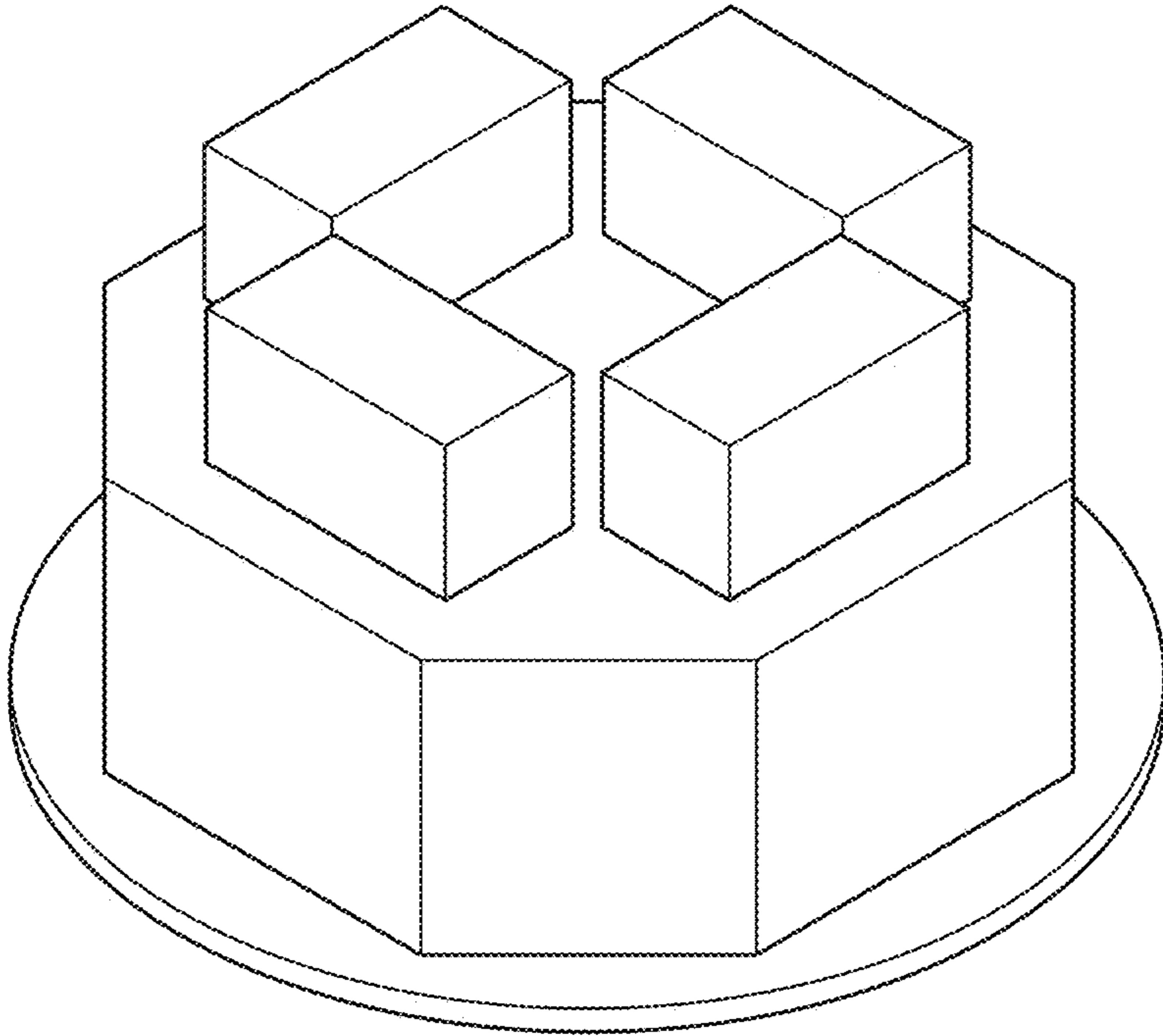
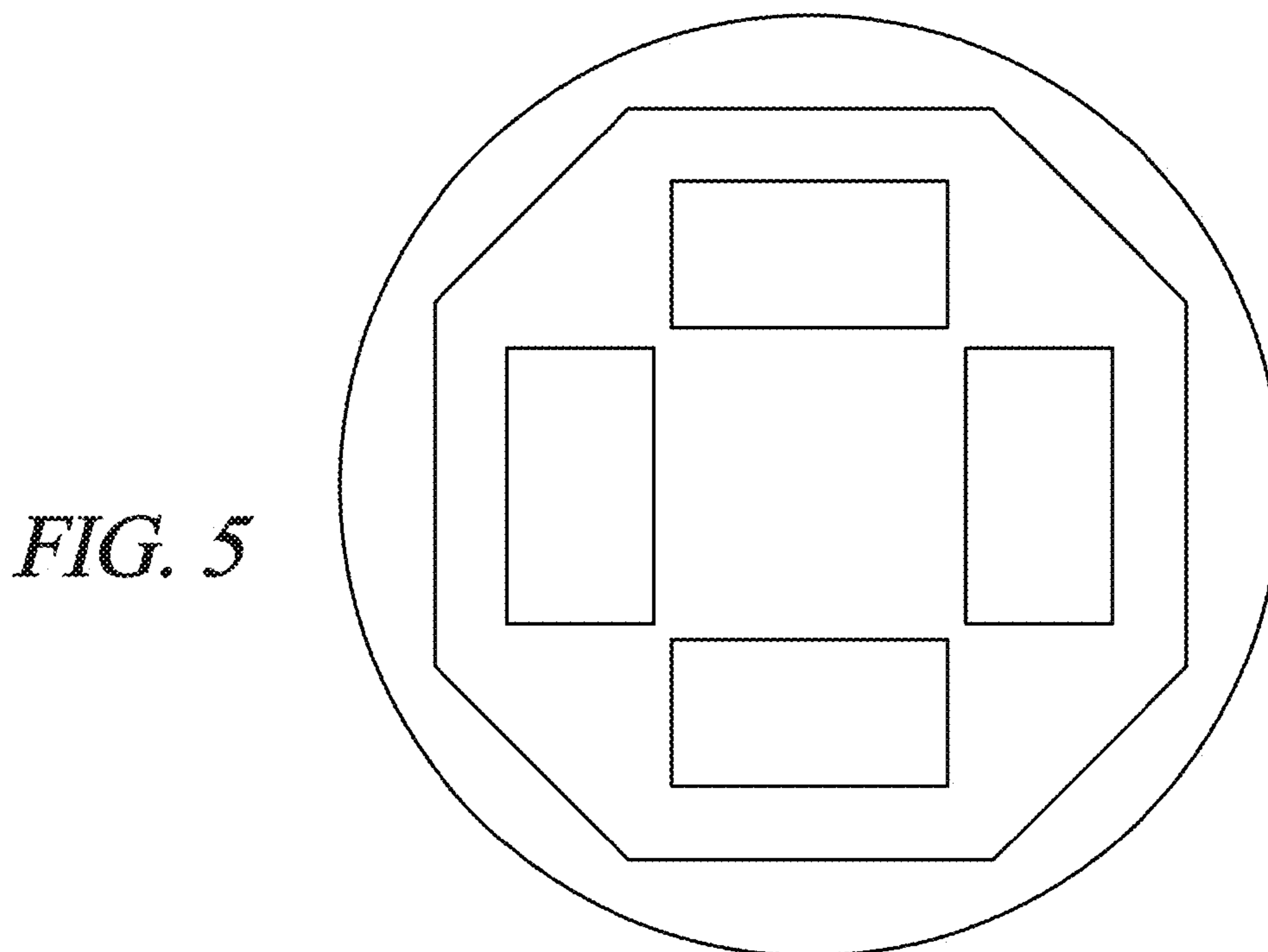
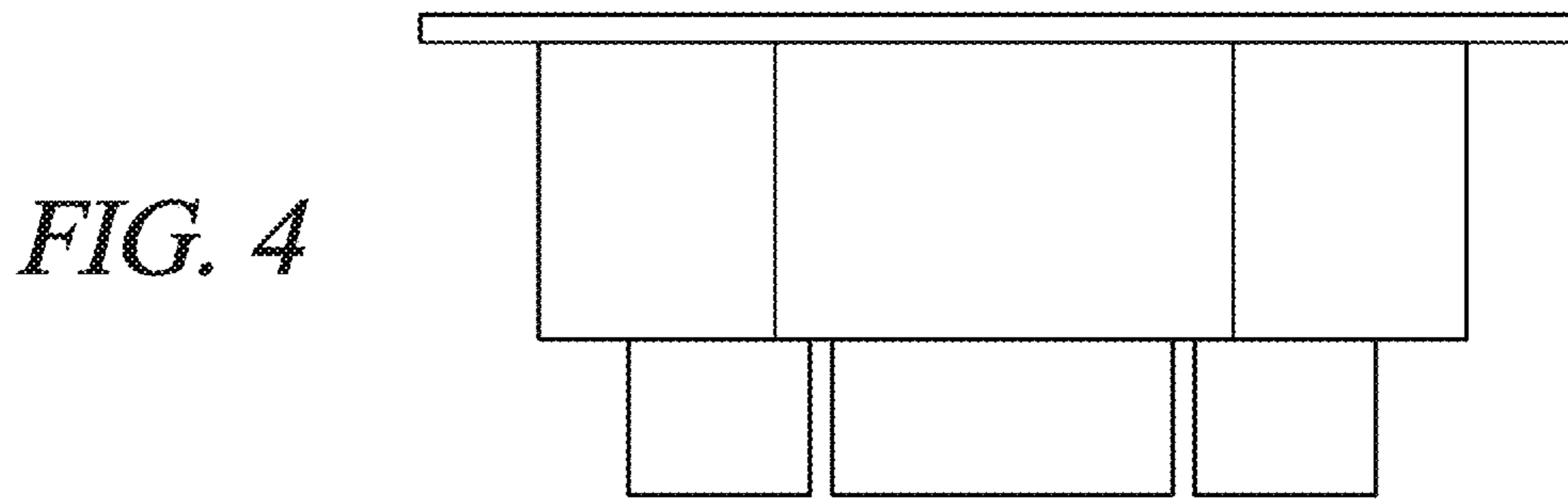
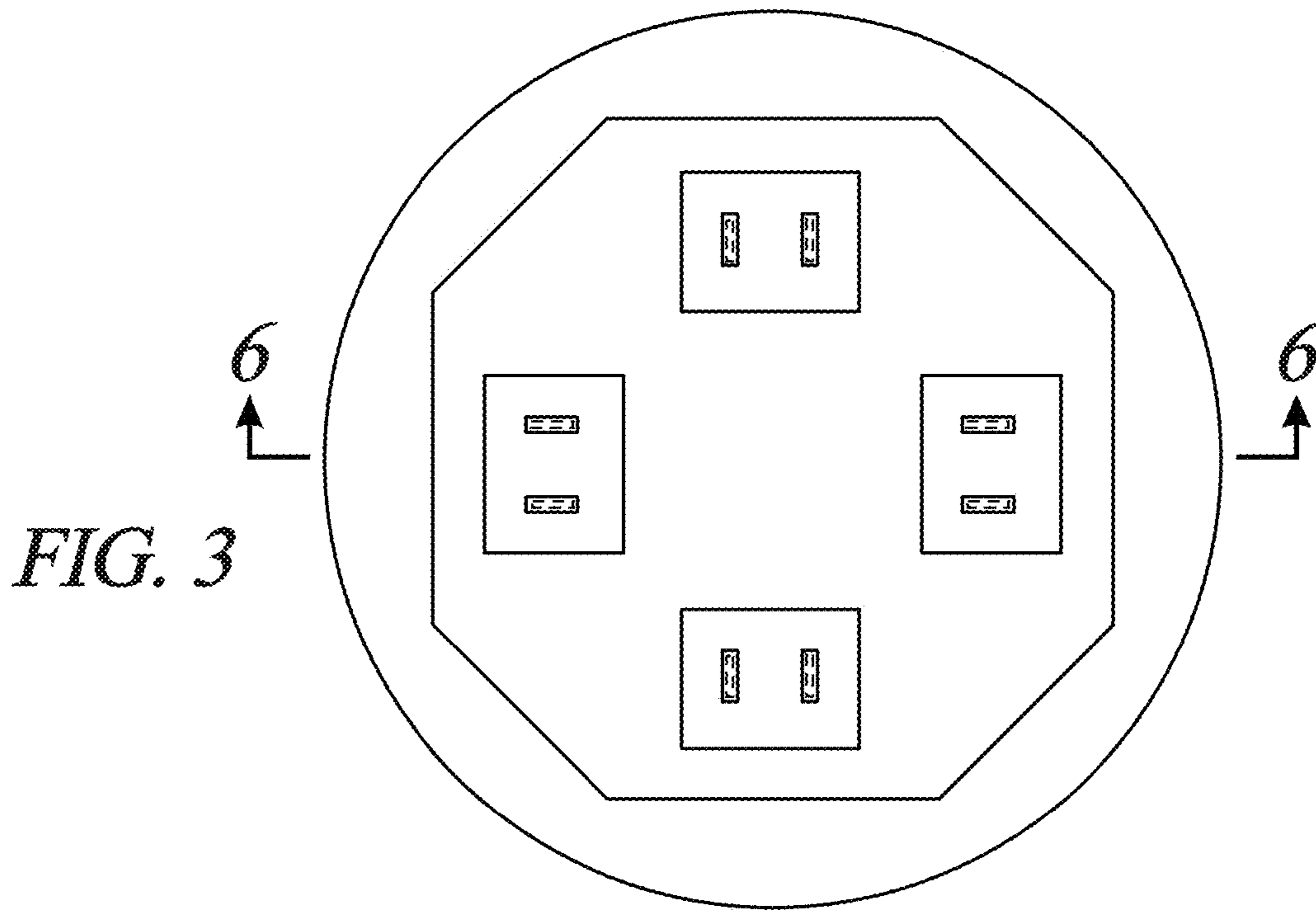


FIG. 2



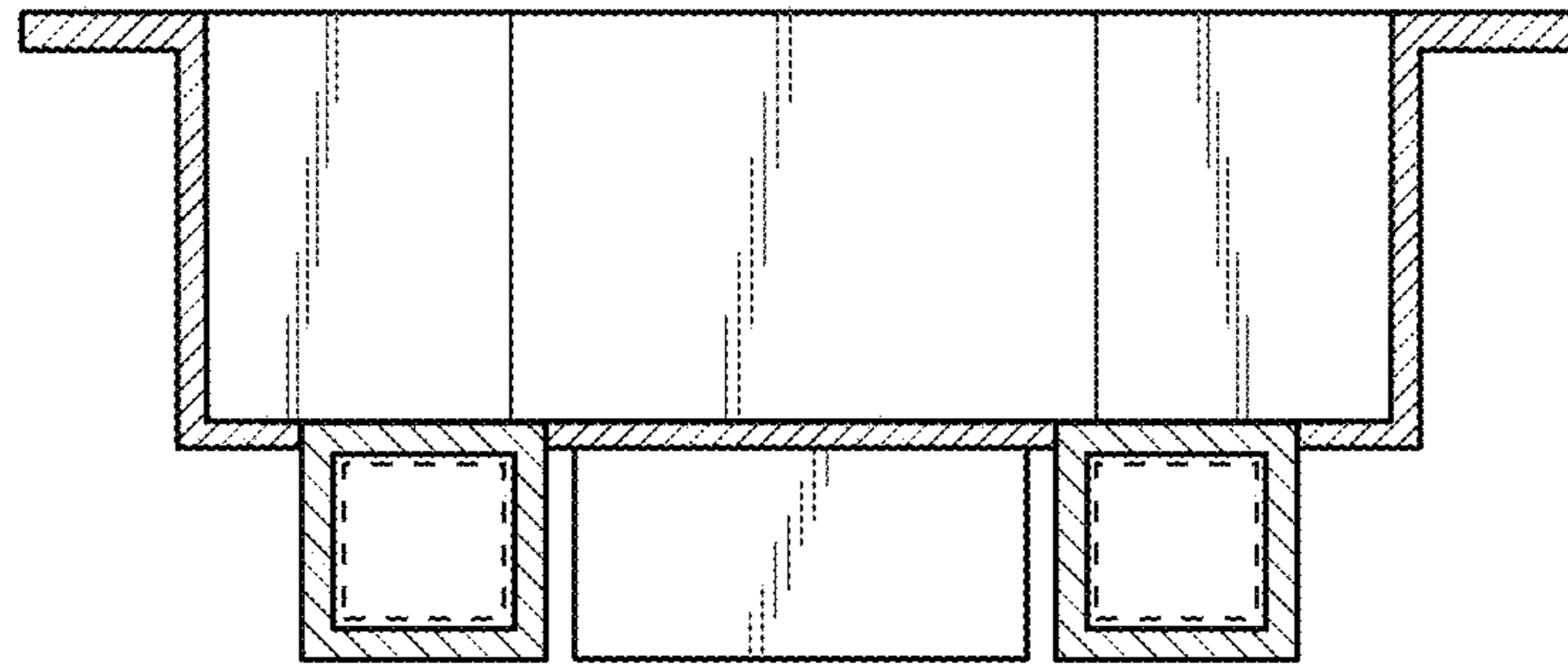


FIG. 6

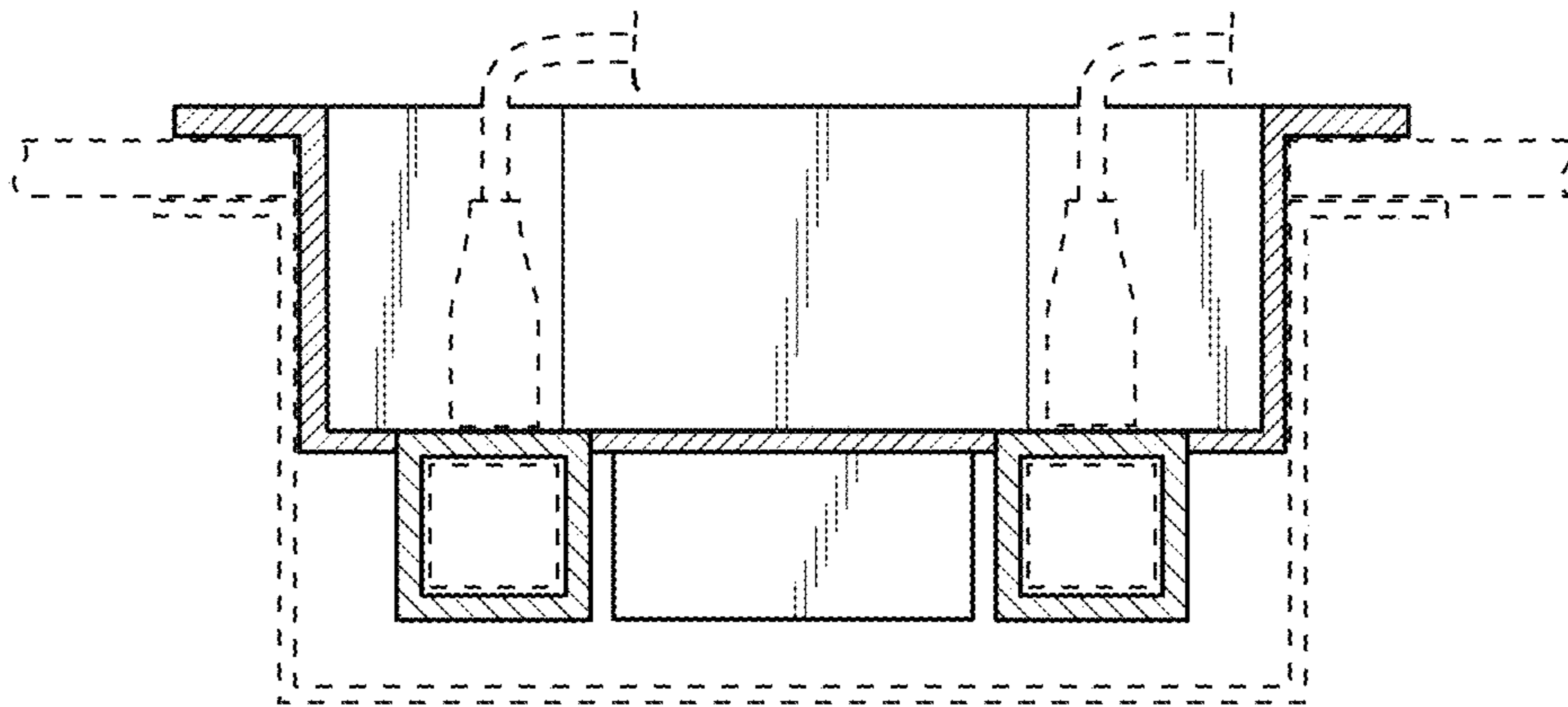


FIG. 7