



US00D873776S

(12) **United States Design Patent**
Lu

(10) **Patent No.:** **US D873,776 S**
(45) **Date of Patent:** **** Jan. 28, 2020**

- (54) **POP-UP TABLETOP SOCKET**
- (71) Applicant: **Dong Guan Song Wei Electric Technology Co., Ltd.**, Dongguan, Guangdong (CN)
- (72) Inventor: **Weilin Lu**, Dongguan (CN)
- (73) Assignee: **DONG GUAN SONG WEI ELECTRIC TECHNOLOGY CO., LTD.**, Dongguan, Guangdong (CN)
- (**) Term: **15 Years**
- (21) Appl. No.: **29/663,487**
- (22) Filed: **Sep. 17, 2018**
- (51) **LOC (12) Cl.** **13-03**
- (52) **U.S. Cl.**
USPC **D13/139.4**
- (58) **Field of Classification Search**
USPC D13/107–110, 137.1–137.4, 138.1–138.2, D13/139.1–139.8, 149–157, 199, 133; D14/432, 433, 435.1; D8/350, 353–356
CPC H01R 25/00; H01R 25/003; H01R 25/006; H01R 11/00; H01R 9/00; H01R 13/5845; H01R 13/72; H01R 13/46; H01R 31/06; H01R 24/28; H02J 2007/0062; H01B 7/2806; A61F 2/962
See application file for complete search history.

- (56) **References Cited**
U.S. PATENT DOCUMENTS
D597,960 S * 8/2009 Dinh D13/152
D626,069 S * 10/2010 Byrne D13/139.4
D639,244 S * 6/2011 Byrne D13/139.4
D649,514 S * 11/2011 Byrne D13/139.4

- D685,329 S * 7/2013 Byrne D13/139.4
- D716,232 S * 10/2014 Byrne D13/139.4
- D759,596 S * 6/2016 Byrne D13/137.2
- D775,080 S * 12/2016 Newhouse D13/139.4
- D810,030 S * 2/2018 Velez D13/152
- D811,337 S * 2/2018 Byrne D13/137.2
- D828,302 S * 9/2018 Smith D13/139.4
- D839,200 S * 1/2019 Lee D13/139.4
- 2017/0156490 A1 * 6/2017 Newhouse A47B 21/06

* cited by examiner

Primary Examiner — Rosemary K Tarcza

Assistant Examiner — Christy M Nemeth

(74) *Attorney, Agent, or Firm* — Leong C. Lei

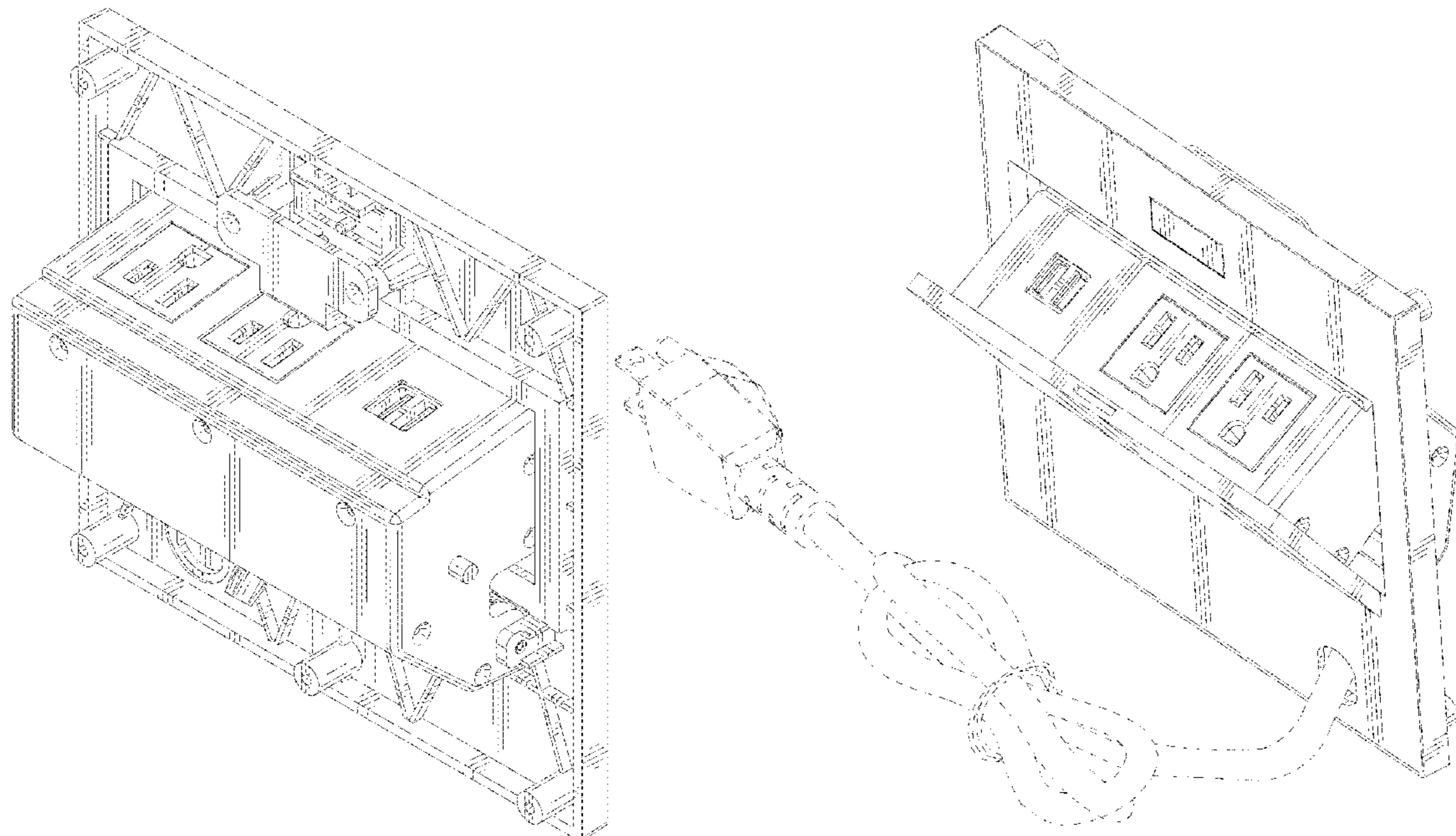
(57) **CLAIM**

The ornamental design for a pop-up tabletop socket, as shown and described.

DESCRIPTION

FIG. 1 is a front perspective view of a pop-up tabletop socket showing my present design;
 FIG. 2 is a rear perspective view thereof;
 FIG. 3 is a front view thereof;
 FIG. 4 is a rear view thereof;
 FIG. 5 is a left side view thereof;
 FIG. 6 a right side view thereof;
 FIG. 7 is a top view thereof;
 FIG. 8 is a bottom view thereof;
 FIG. 9 is a front perspective view of the pop-up tabletop socket, shown in a closed configuration; and,
 FIG. 10 is a front perspective view of the pop-up tabletop socket, shown in an open configuration.
 The broken lines in FIGS. 9 and 10 are for the purpose of illustrating environmental subject matter that forms no part of the claimed design.

1 Claim, 10 Drawing Sheets



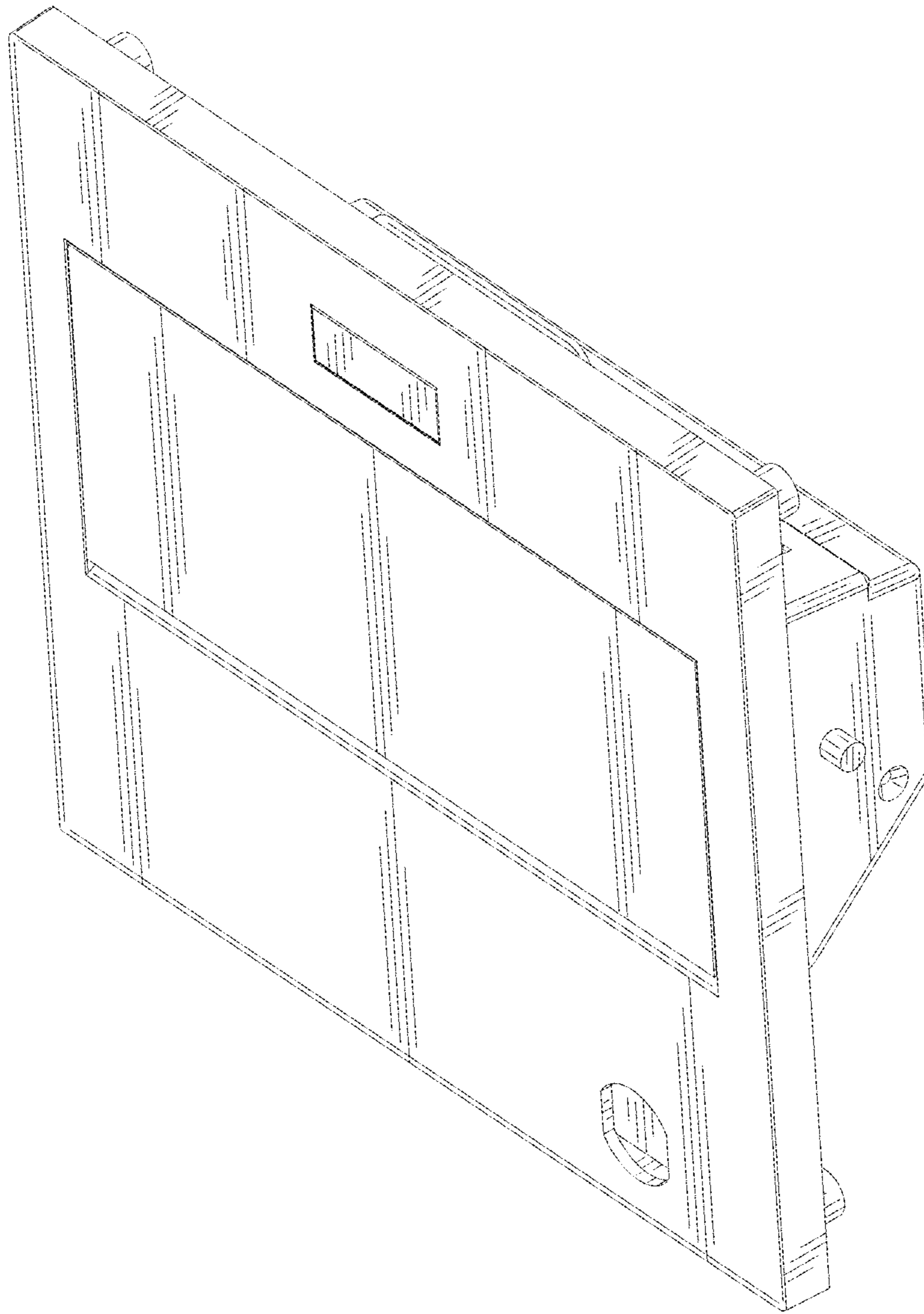


FIG. 1

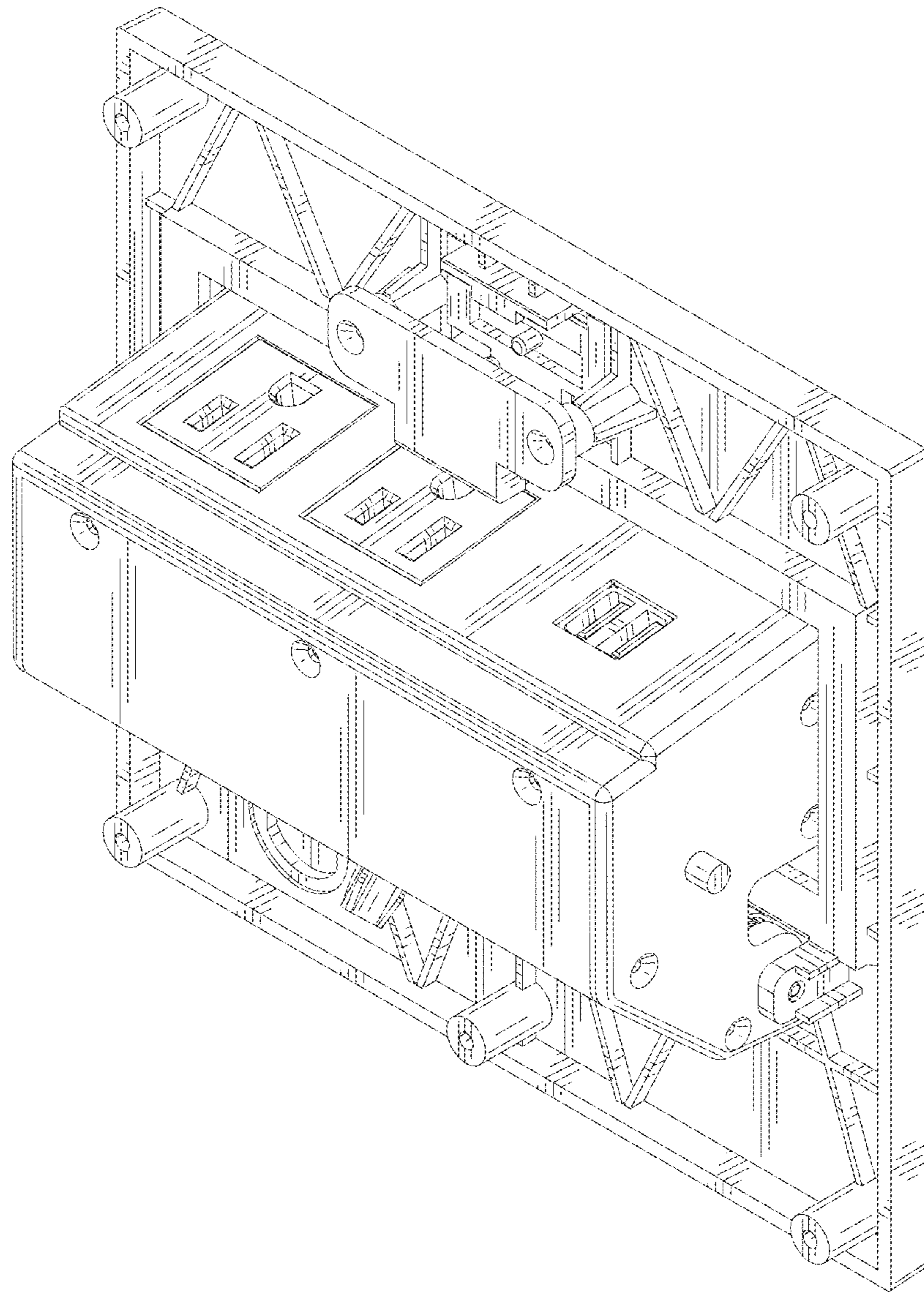


FIG. 2

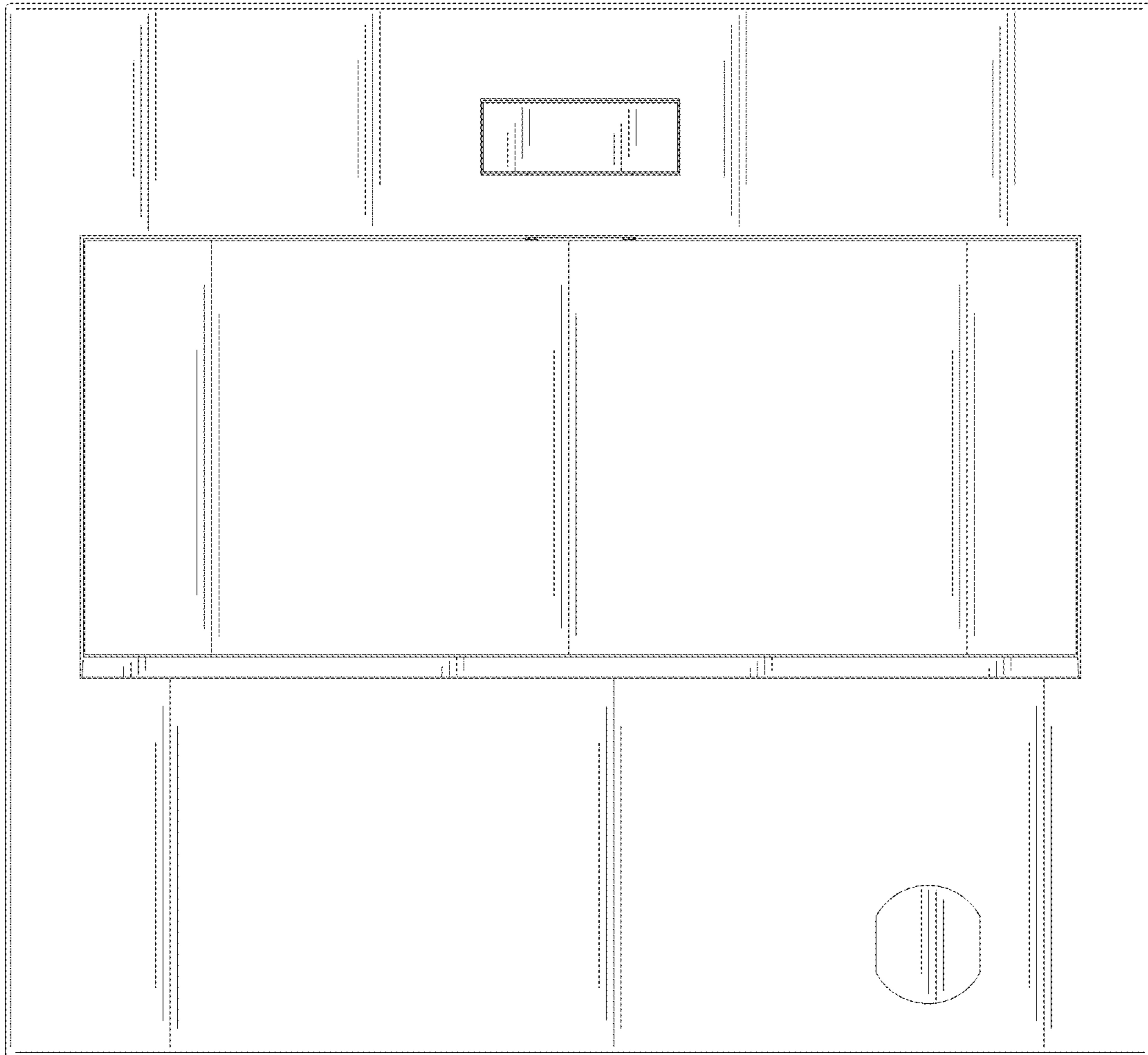


FIG. 3

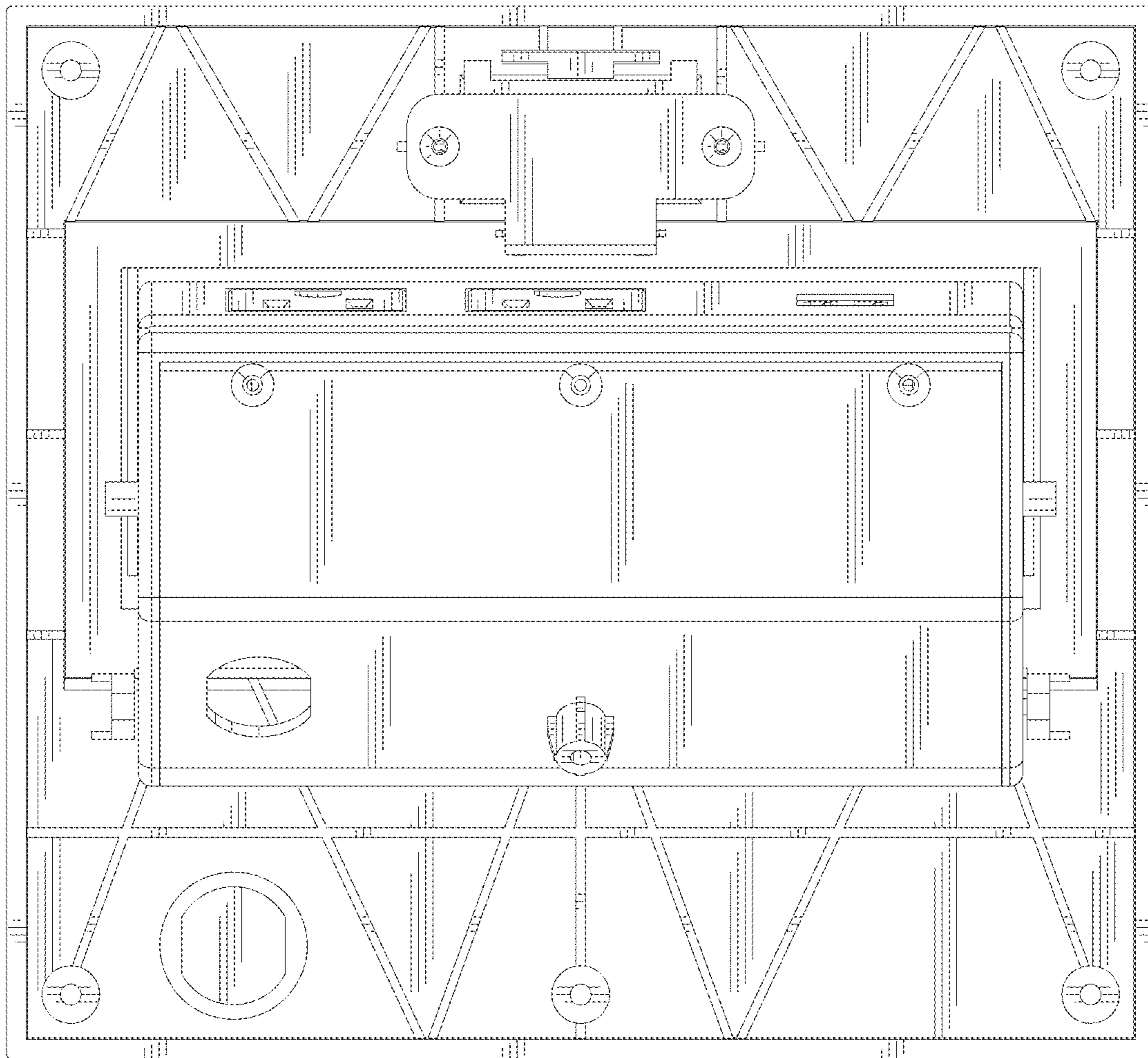


FIG. 4

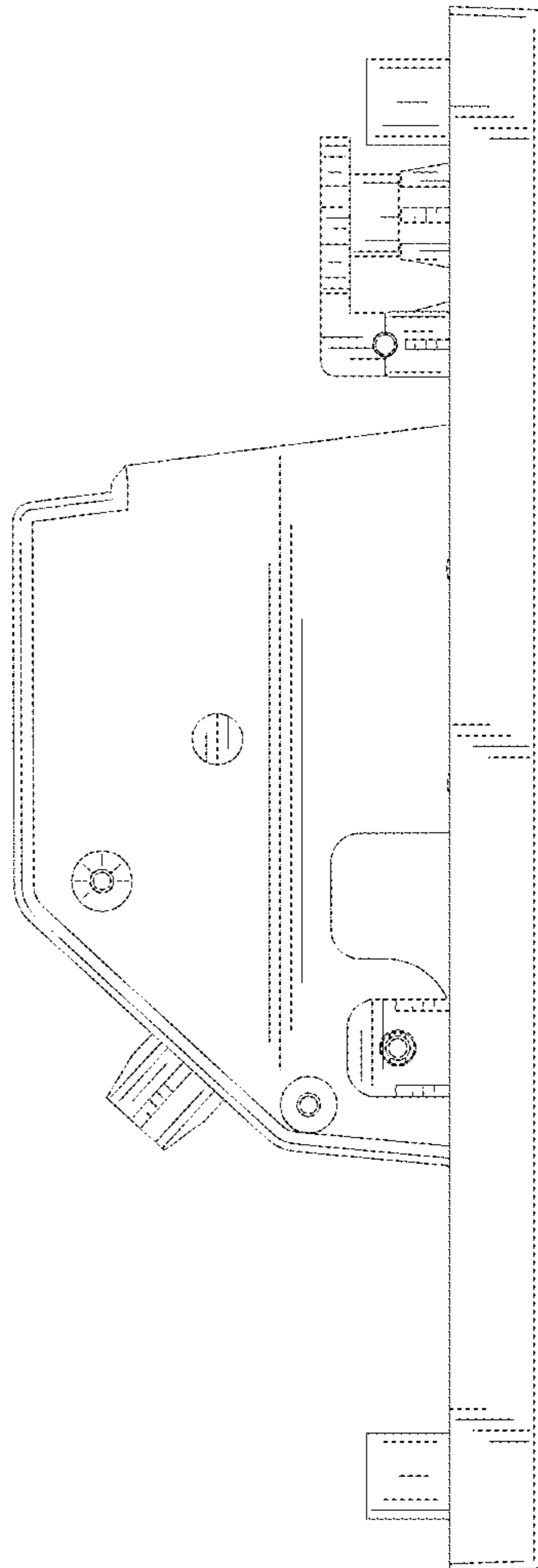


FIG. 5

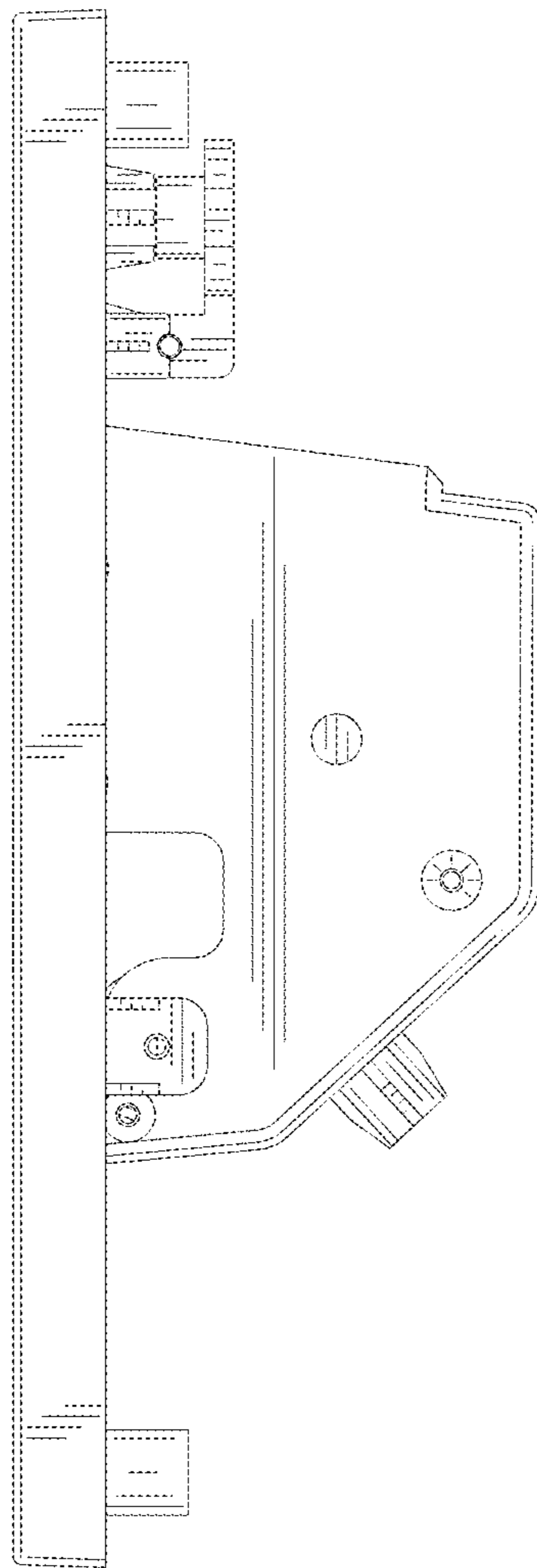


FIG. 6

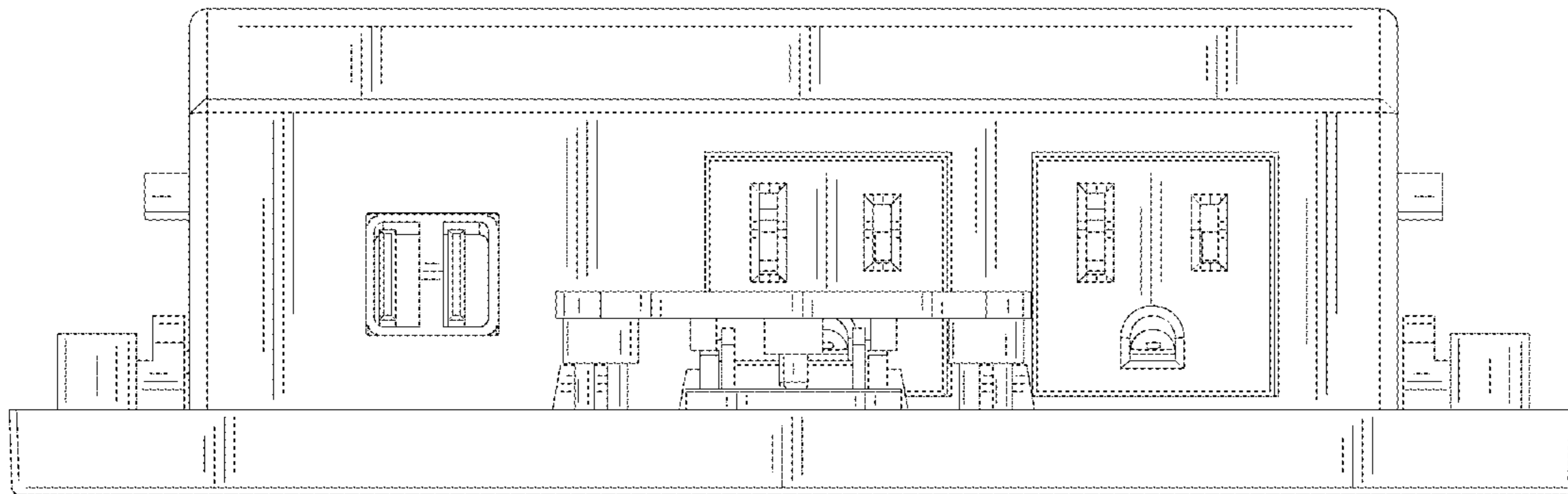


FIG. 7

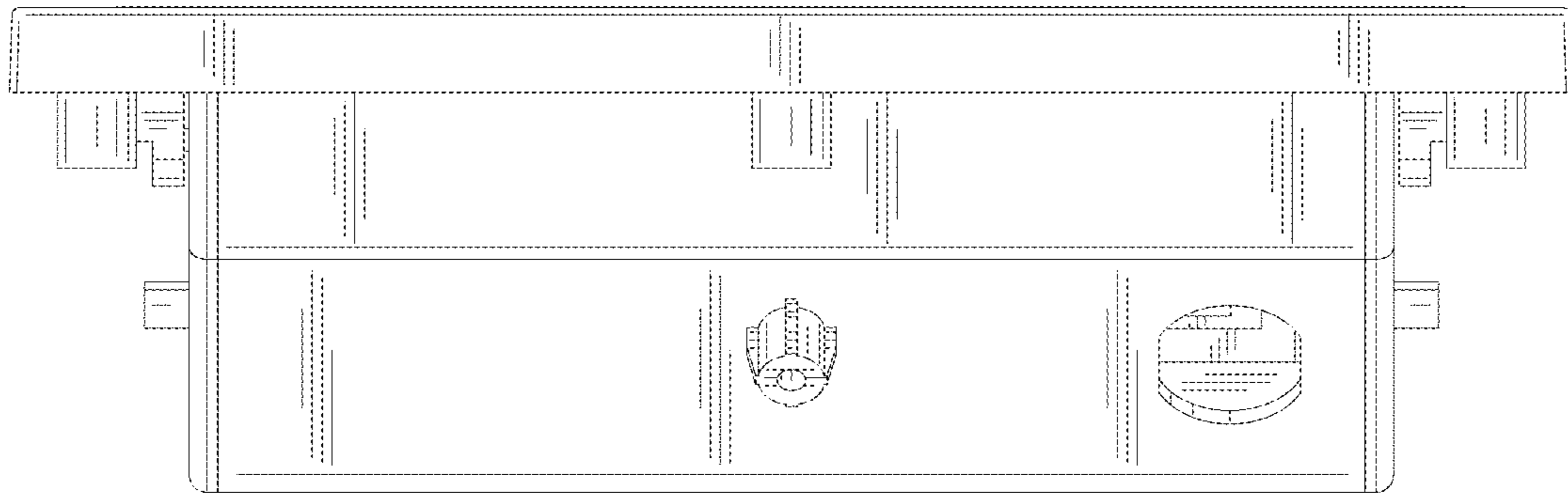


FIG. 8

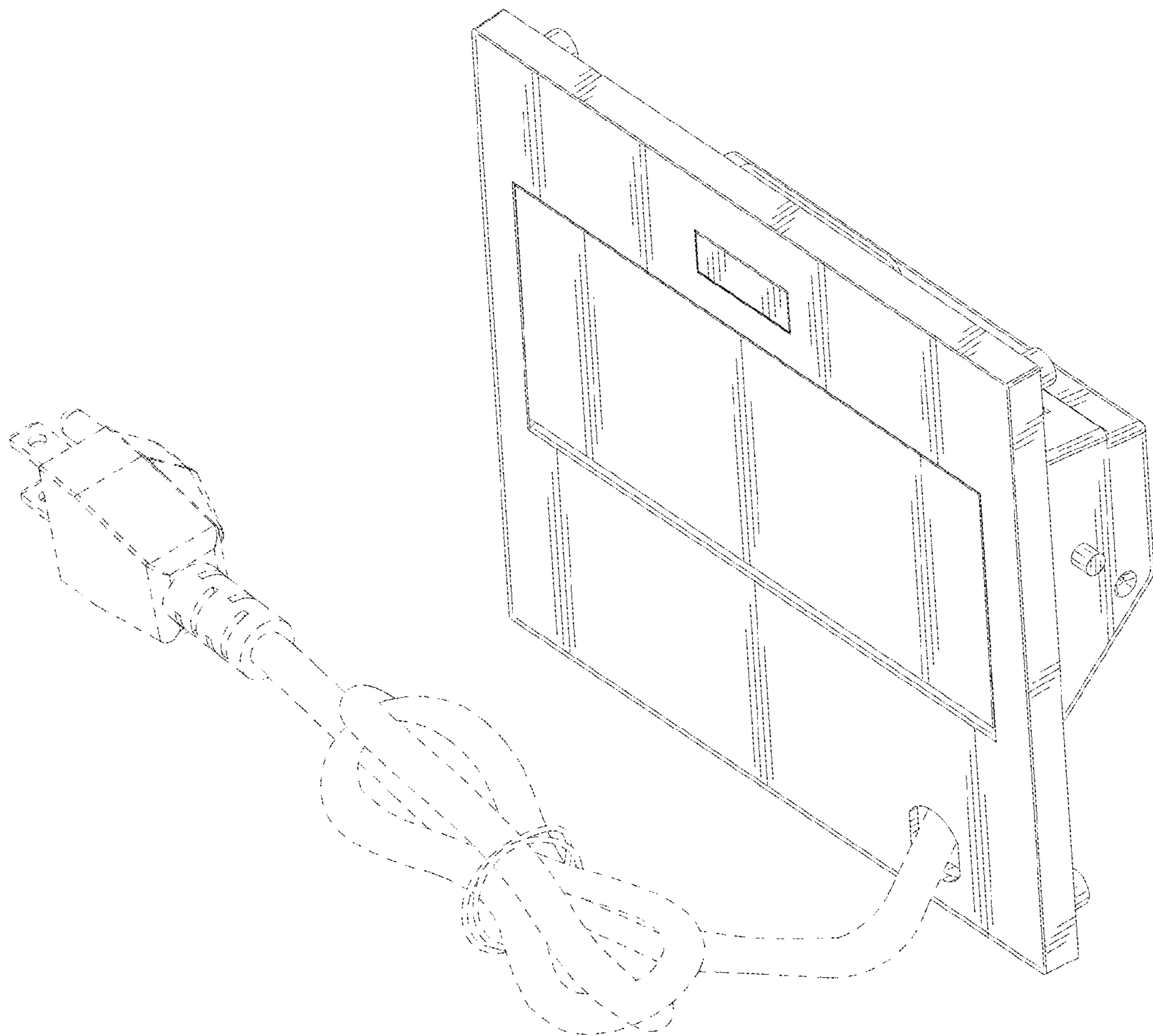


FIG. 9

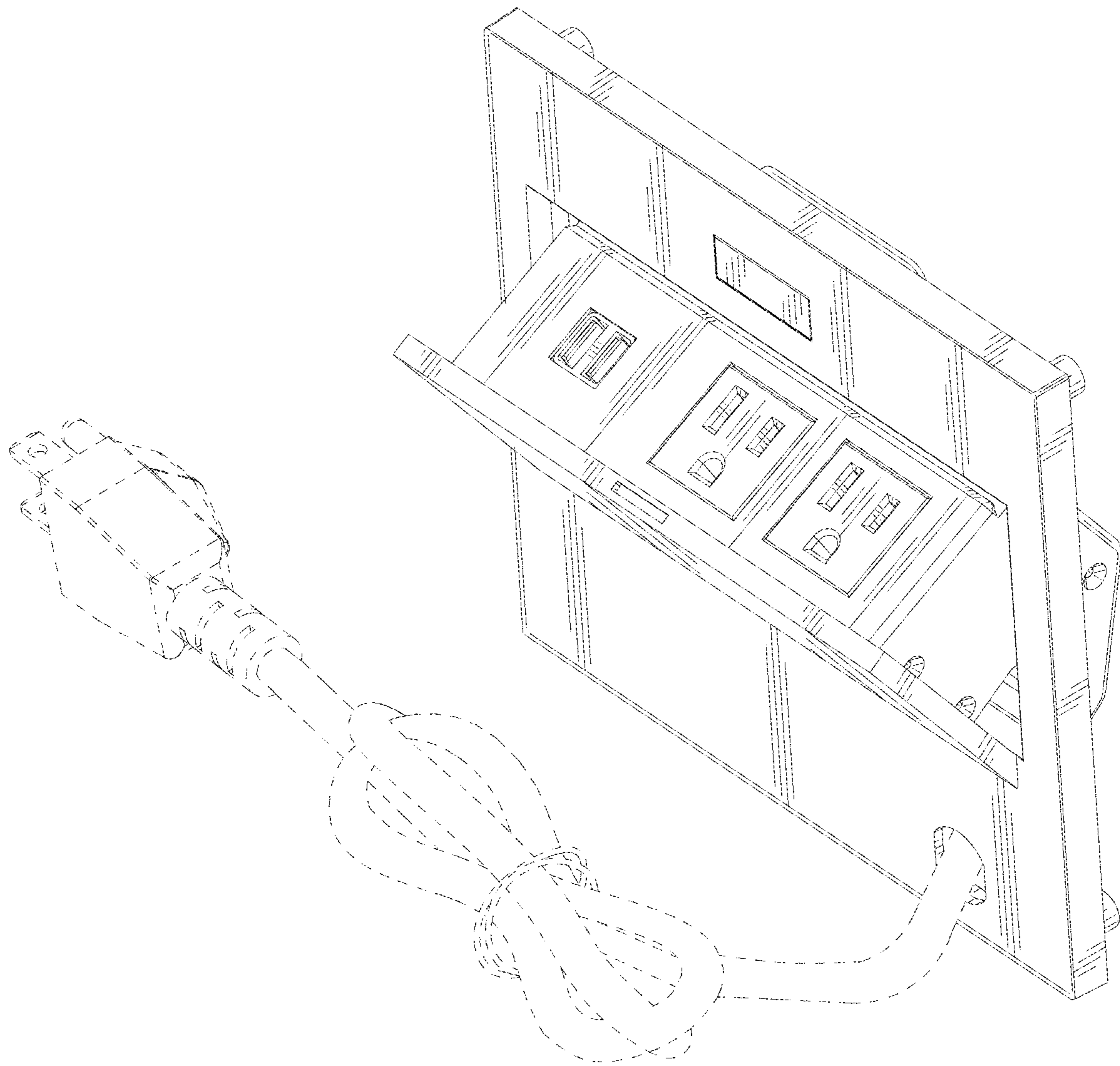


FIG. 10