



US00D873773S

(12) **United States Design Patent**
Cao

(10) **Patent No.:** **US D873,773 S**

(45) **Date of Patent:** **** Jan. 28, 2020**

(54) **POWER CONNECTOR**

(71) Applicant: **Zhenjiang Zijie Decoration Engineering Co., Ltd., Zhenjiang (CN)**

(72) Inventor: **Kailai Cao, Jiangsu (CN)**

(**) Term: **15 Years**

(21) Appl. No.: **29/700,407**

(22) Filed: **Aug. 2, 2019**

(51) **LOC (12) Cl.** **13-03**

(52) **U.S. Cl.**
USPC **D13/133**

(58) **Field of Classification Search**
USPC D13/133, 146, 147, 123, 137.1-139.8,
D13/154
CPC H01R 13/28; H01R 13/44; H01R 13/64;
H01R 13/6456
See application file for complete search history.

(56) **References Cited**

U.S. PATENT DOCUMENTS

D512,687 S *	12/2005	Baker	D13/133
6,994,595 B2 *	2/2006	Baker	H01R 13/44 439/680
D519,924 S *	5/2006	Baker	D13/133
D527,345 S	8/2006	Zhang	
D574,773 S *	8/2008	Sutter	D13/133
D578,065 S *	10/2008	Baker	D13/133
D593,033 S *	5/2009	Ogata	D13/133

D612,807 S *	3/2010	Mancini	D13/133
D615,039 S *	5/2010	Mancini	D13/133
D625,688 S *	10/2010	So	D13/133
D642,528 S *	8/2011	Gravolin	D13/133
D650,744 S *	12/2011	Smith	D13/133
D650,750 S *	12/2011	Smith	D13/133
D665,748 S *	8/2012	Baker	D13/133

* cited by examiner

Primary Examiner — Bridget L Eland
(74) *Attorney, Agent, or Firm* — ZANIP

(57) **CLAIM**

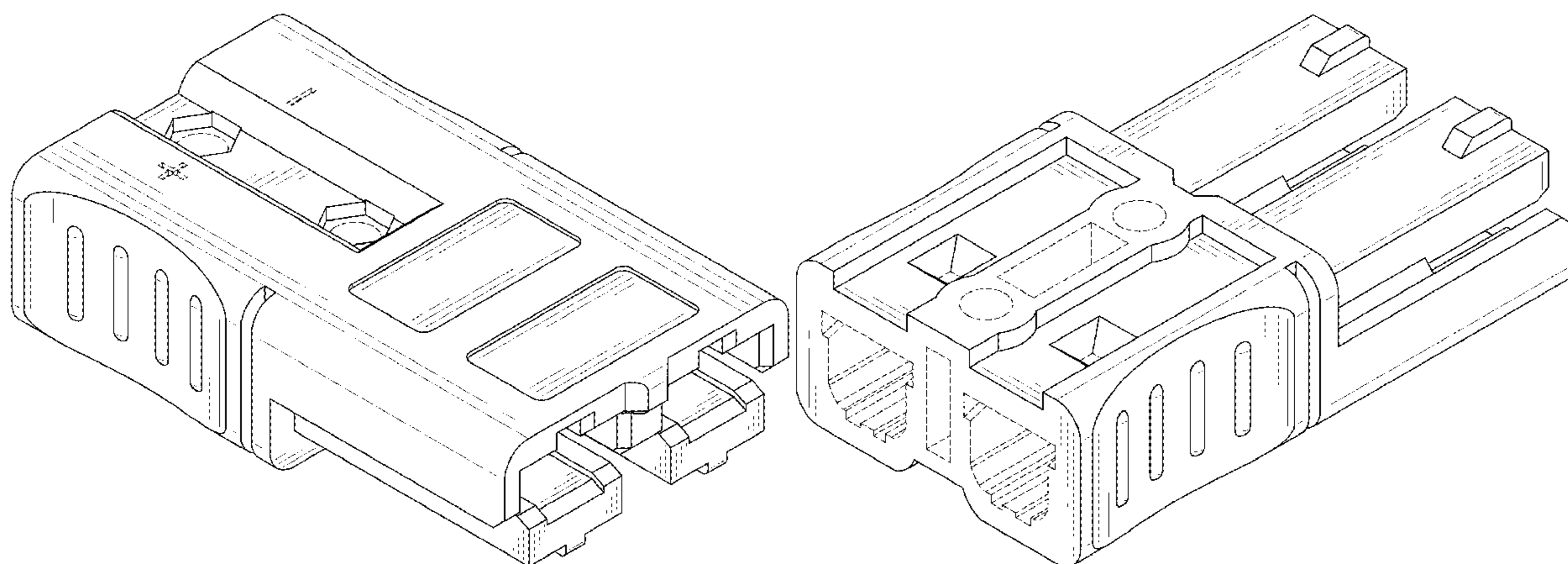
The ornamental design for a power connector, as shown and described.

DESCRIPTION

FIG. 1 is a front perspective view of a power connector showing my new design;
FIG. 2 is a back perspective view thereof;
FIG. 3 is a front view thereof;
FIG. 4 is a back view thereof;
FIG. 5 is a left side view thereof;
FIG. 6 is a right side view thereof;
FIG. 7 is a top view thereof; and,
FIG. 8 is a bottom view thereof.

The outmost broken lines immediately adjacent to the full line showing of the claimed design represent the bounds of the claimed design while all other broken lines are directed to environment and are for illustrative purpose only; the broken lines form no part of the claimed design.

1 Claim, 8 Drawing Sheets



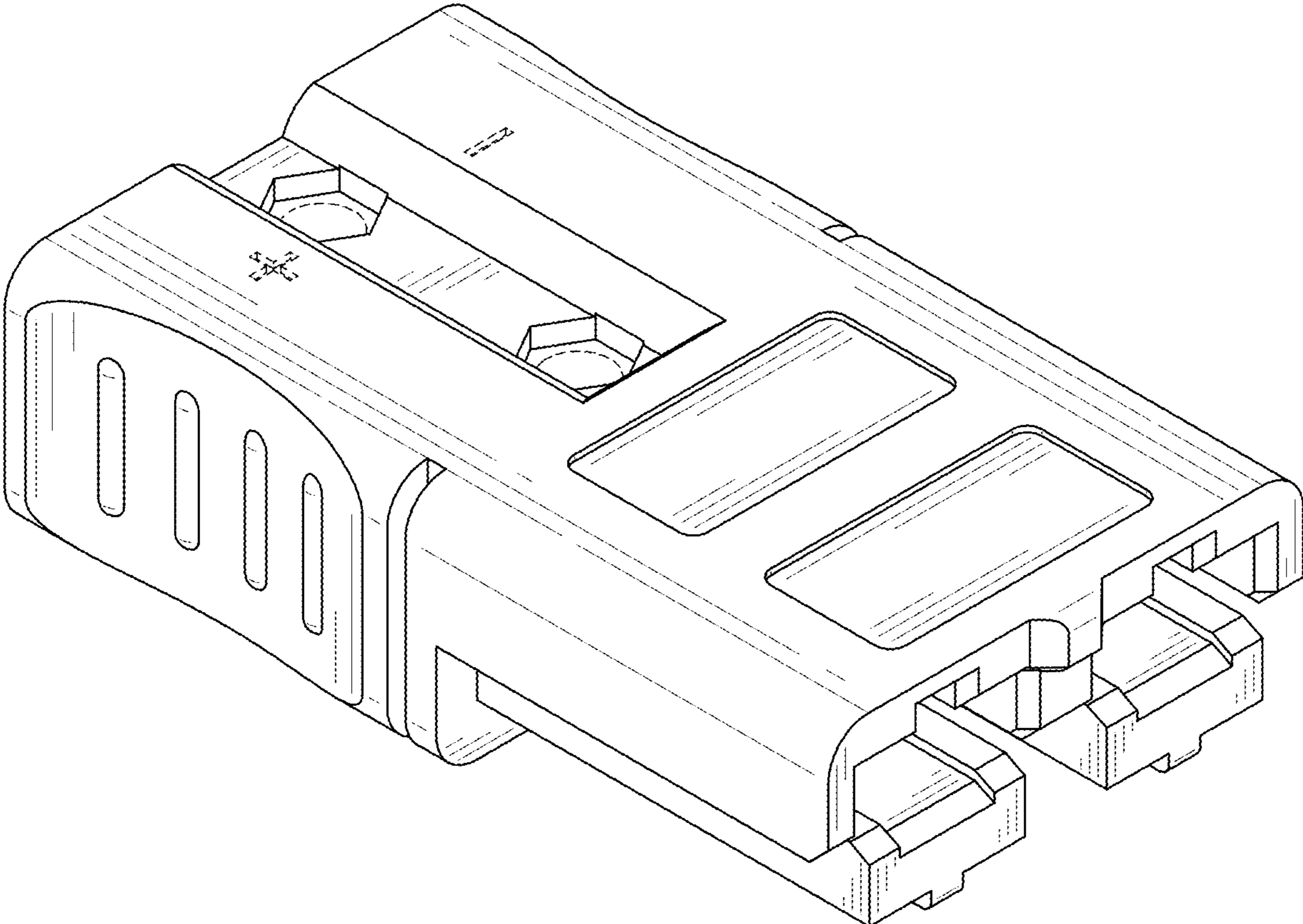


FIG. 1

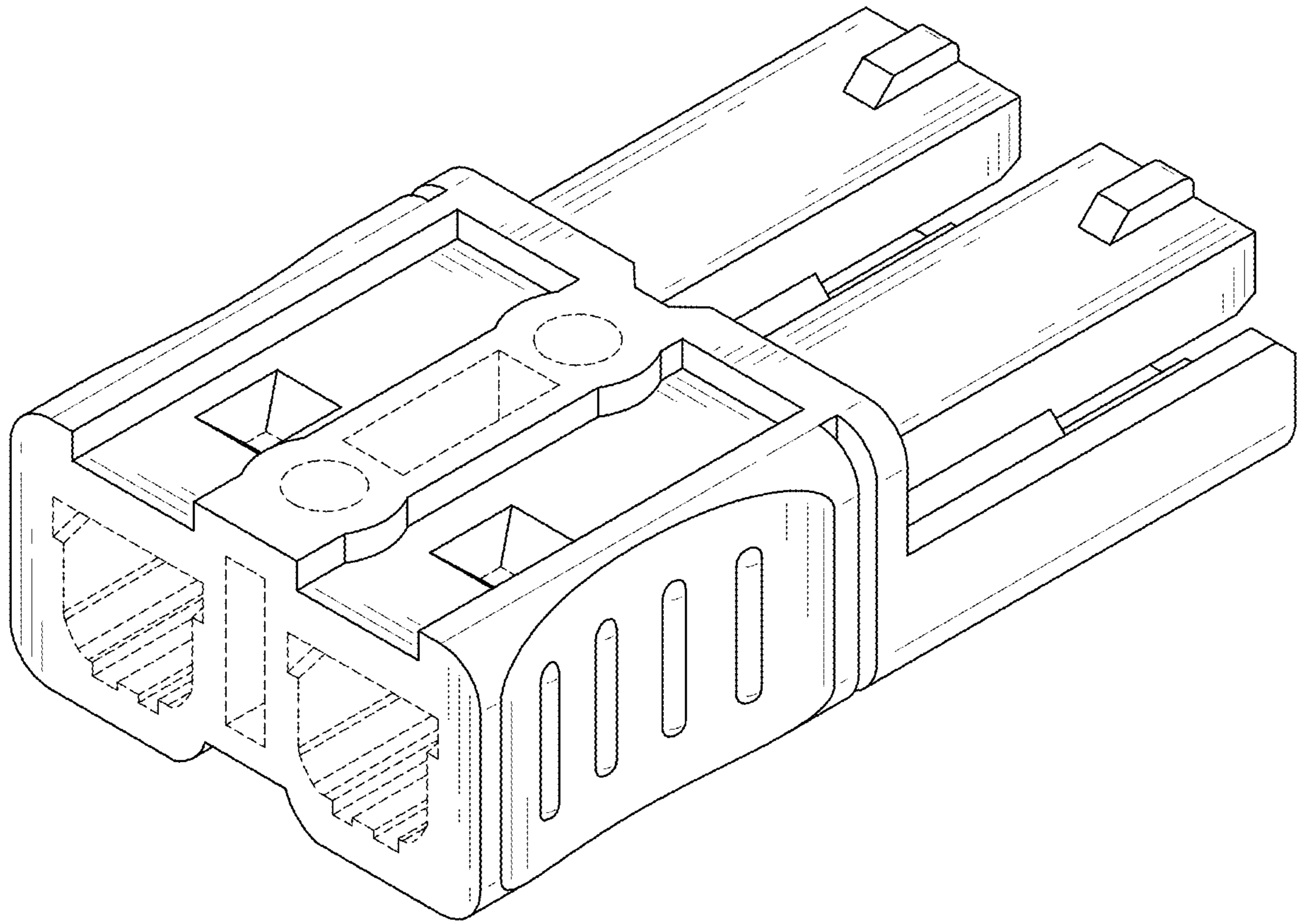


FIG. 2

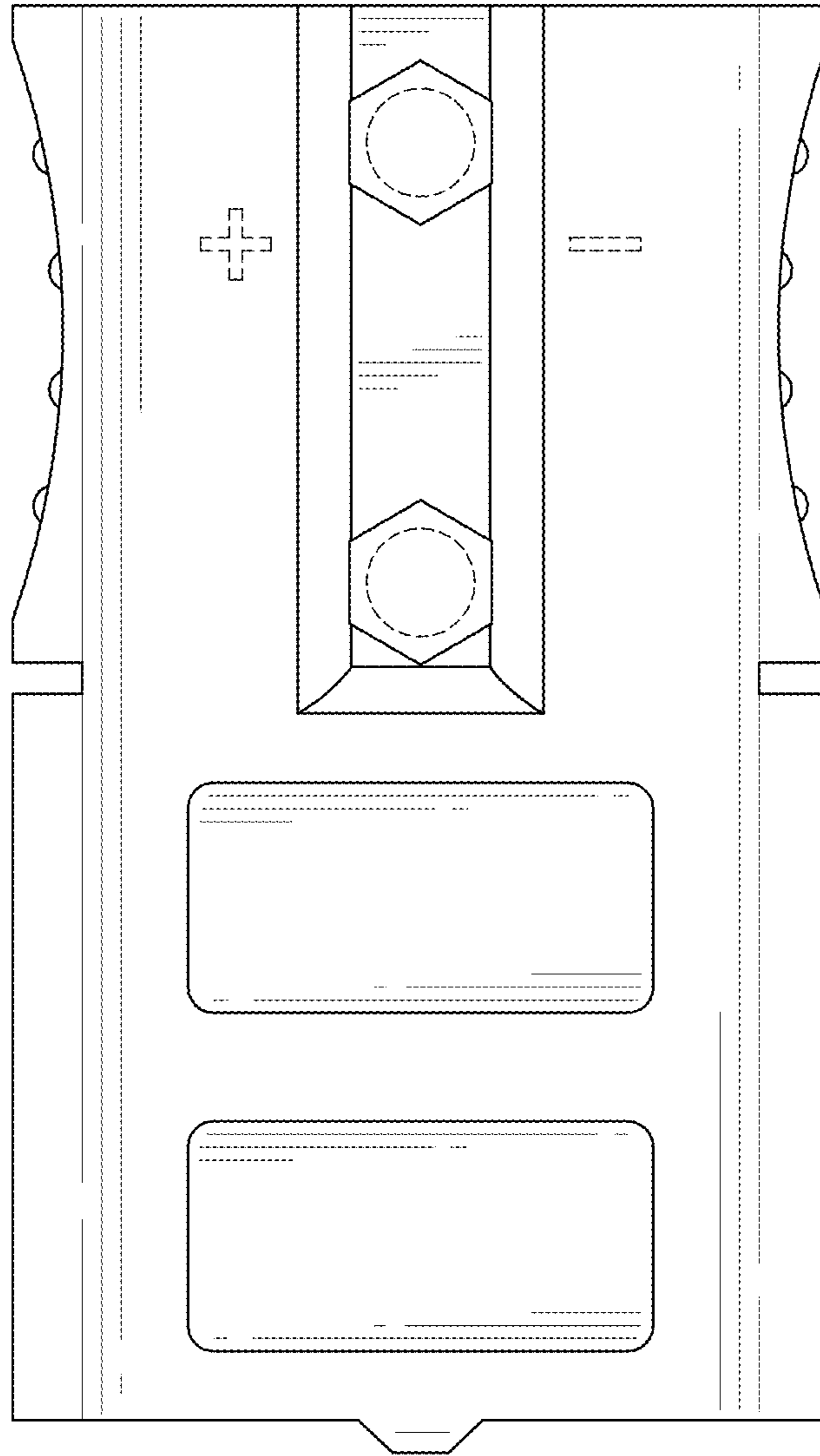


FIG. 3

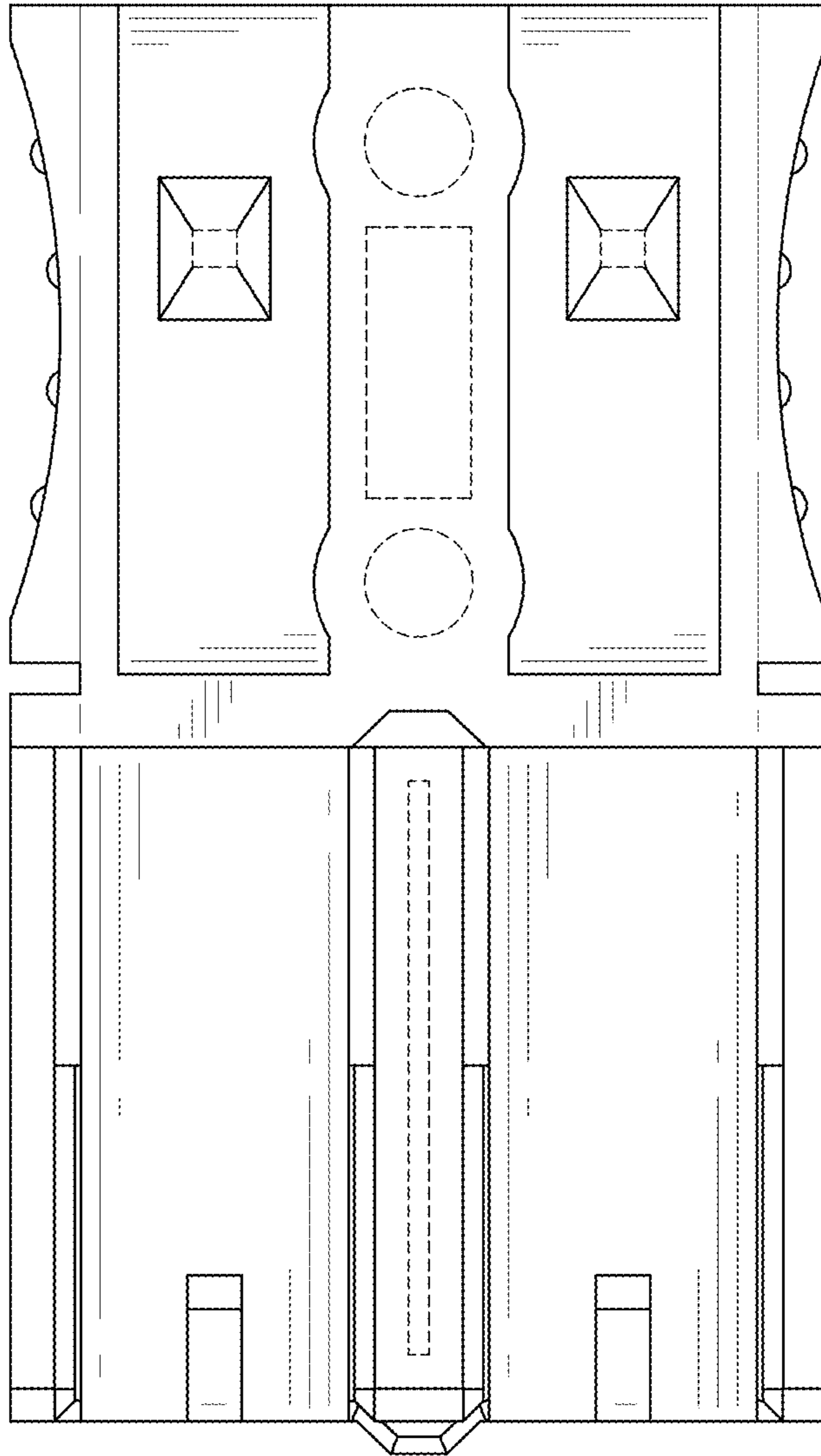


FIG. 4

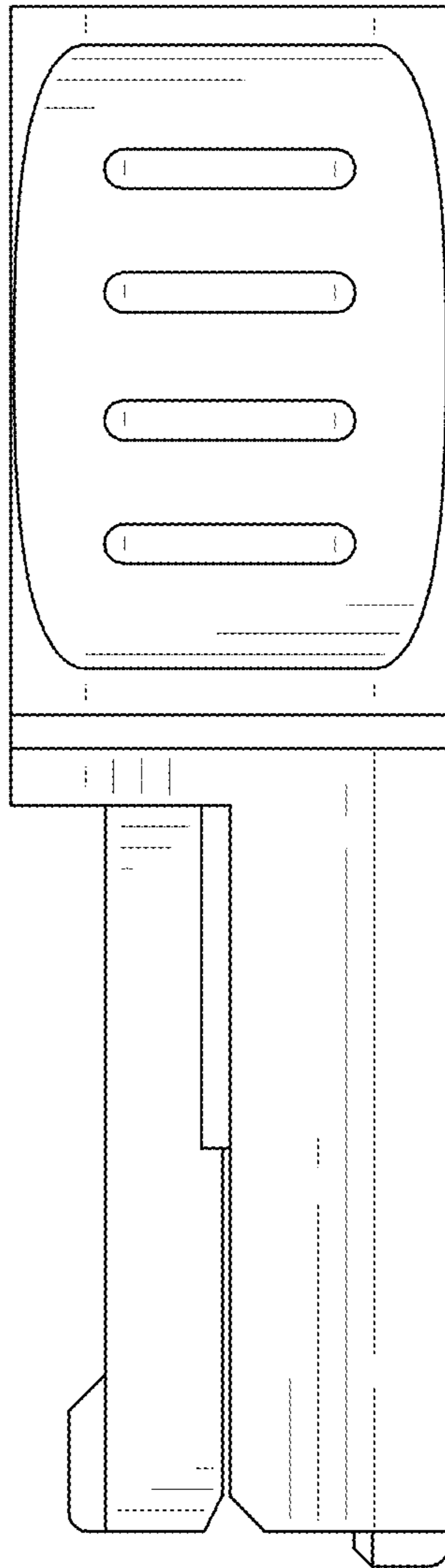


FIG. 5

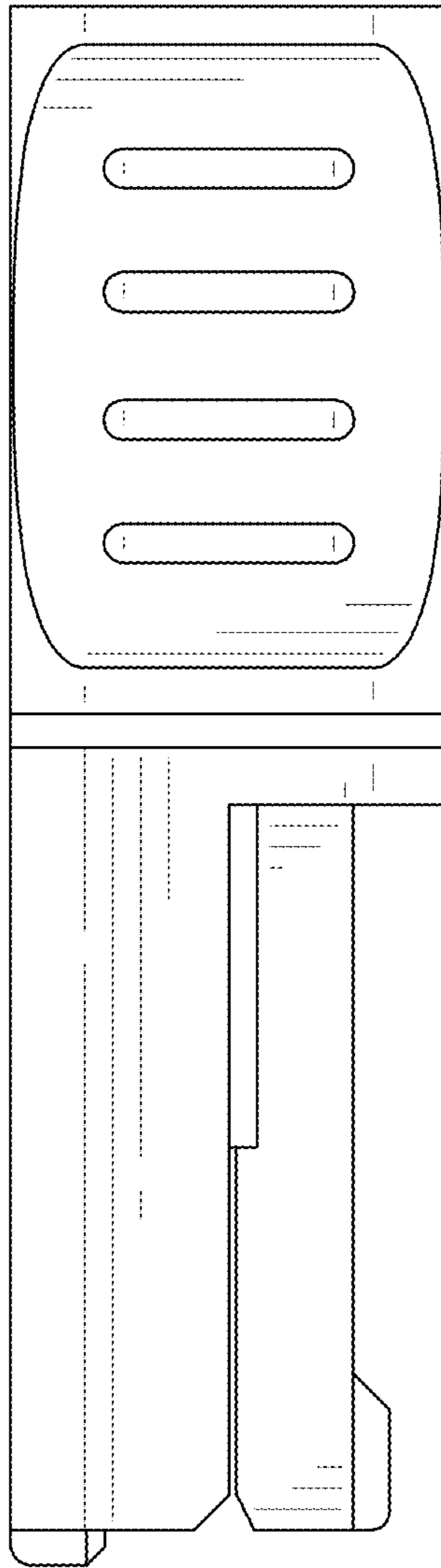


FIG. 6

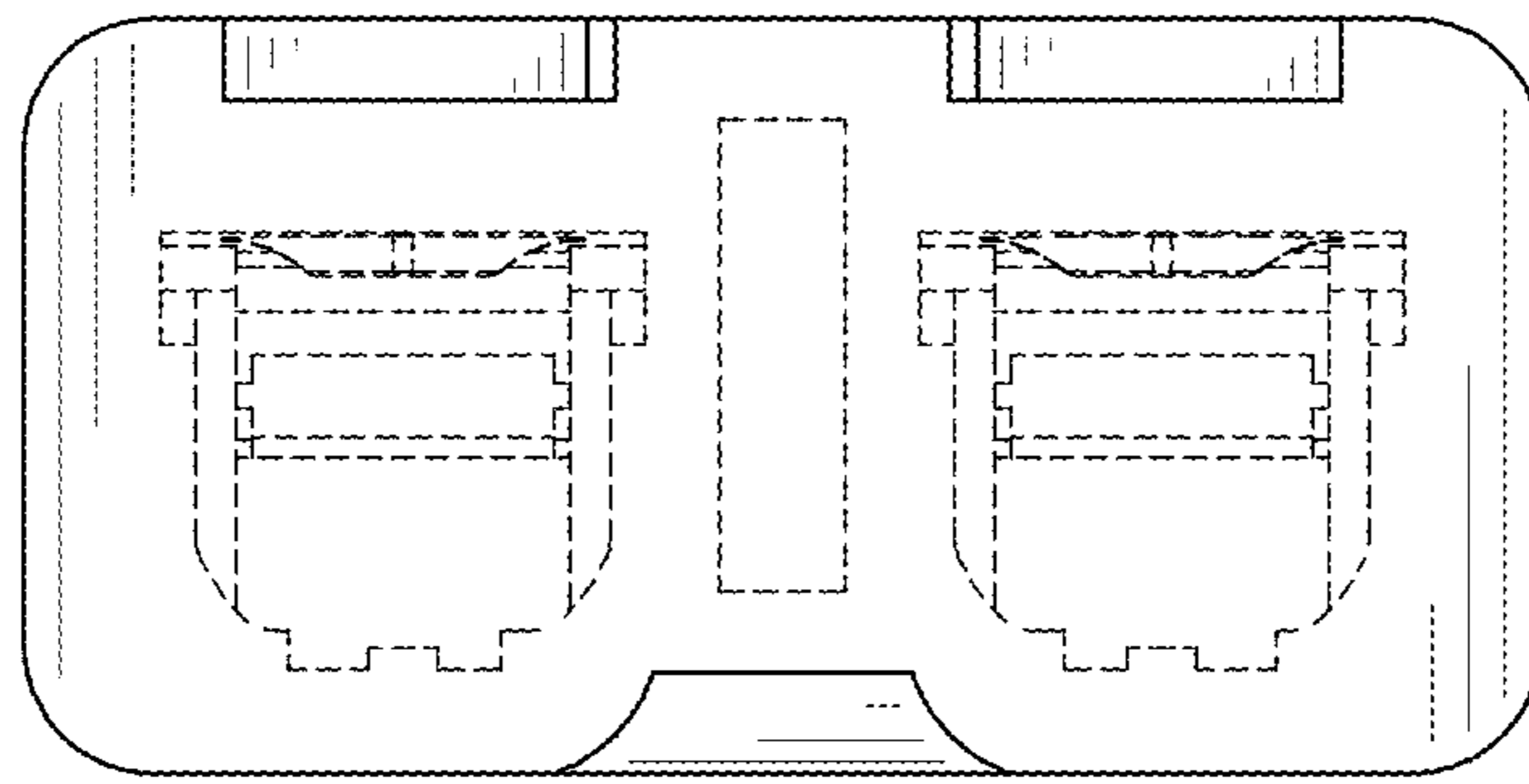


FIG. 7

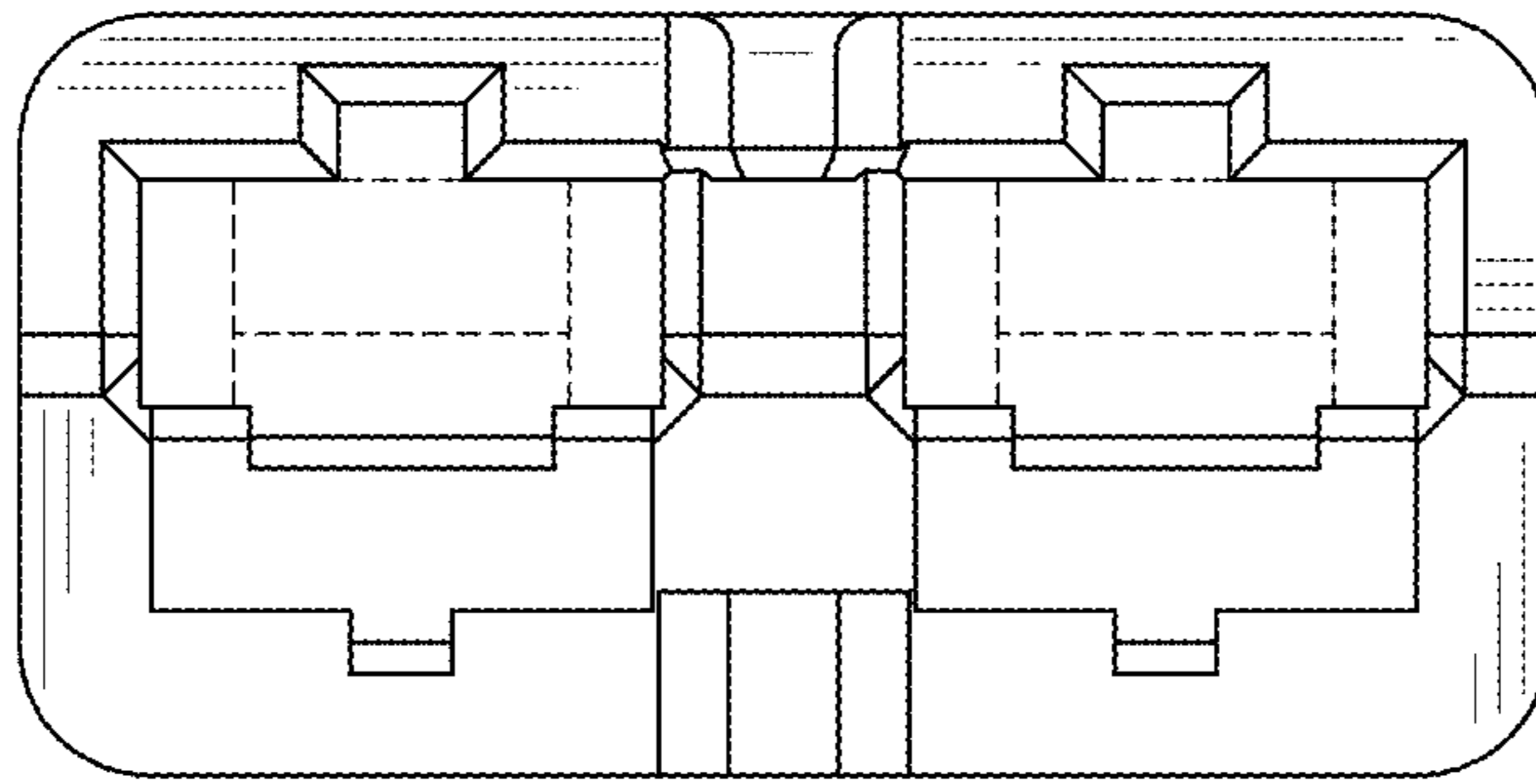


FIG. 8