



US00D873772S

(12) **United States Design Patent**  
**Hsu et al.**

(10) **Patent No.:** **US D873,772 S**  
(45) **Date of Patent:** **\*\* Jan. 28, 2020**

(54) **CONDUCTING MAGNET**

CPC . H01F 5/02; H01F 5/04; H01F 27/022; H01F 27/24; H01F 27/28; H01F 27/29; H01F 27/292; H01F 27/325; H01F 27/2847; H01F 41/061; H01F 41/10; Y10T 29/4902; Y10T 29/49069; Y10T 29/49071; Y10T 29/49073

See application file for complete search history.

(71) Applicants: **YUZEN SUSTAINABLE ENERGY CO., LTD.**, Taichung (TW); **YUZEN (HK) SUSTAINABLE ENERGY CO., LTD.**, Hong Kong (CN); **YUZEN SUSTAINABLE ENERGY PTE LTD.**, Singapore (SG)

(56) **References Cited**

(72) Inventors: **Yung-Shun Hsu**, Taichung (TW); **Ming-Chun Hsu**, Taichung (TW); **Wen-Yu Hsu**, Taichung (TW)

U.S. PATENT DOCUMENTS

(73) Assignees: **YUZEN SUSTAINABLE ENERGY CO., LTD.**, Taichung (TW); **YUZEN (HK) SUSTAINABLE ENERGY CO., LTD.**, Hong Kong (CN); **YUZEN SUSTAINABLE ENERGY PTE LTD.**, Singapore (SG)

4,439,703 A *	3/1984	Kohzai	.....	H02K 23/40 310/186
D384,333 S *	9/1997	Suzuki	.....	D13/183
D463,365 S *	9/2002	Sakai	.....	D13/118
D596,567 S *	7/2009	Li	.....	D13/118
D657,311 S *	4/2012	Chan	.....	D13/118

\* cited by examiner

*Primary Examiner* — Derrick E Holland

(74) *Attorney, Agent, or Firm* — Leong C. Lei

(\*\*) Term: **15 Years**

(57) **CLAIM**

(21) Appl. No.: **29/631,343**

The ornamental design for a conducting magnet, as shown and described.

(22) Filed: **Dec. 29, 2017**

**DESCRIPTION**

(30) **Foreign Application Priority Data**

Jul. 18, 2017 (TW) ..... 106304099

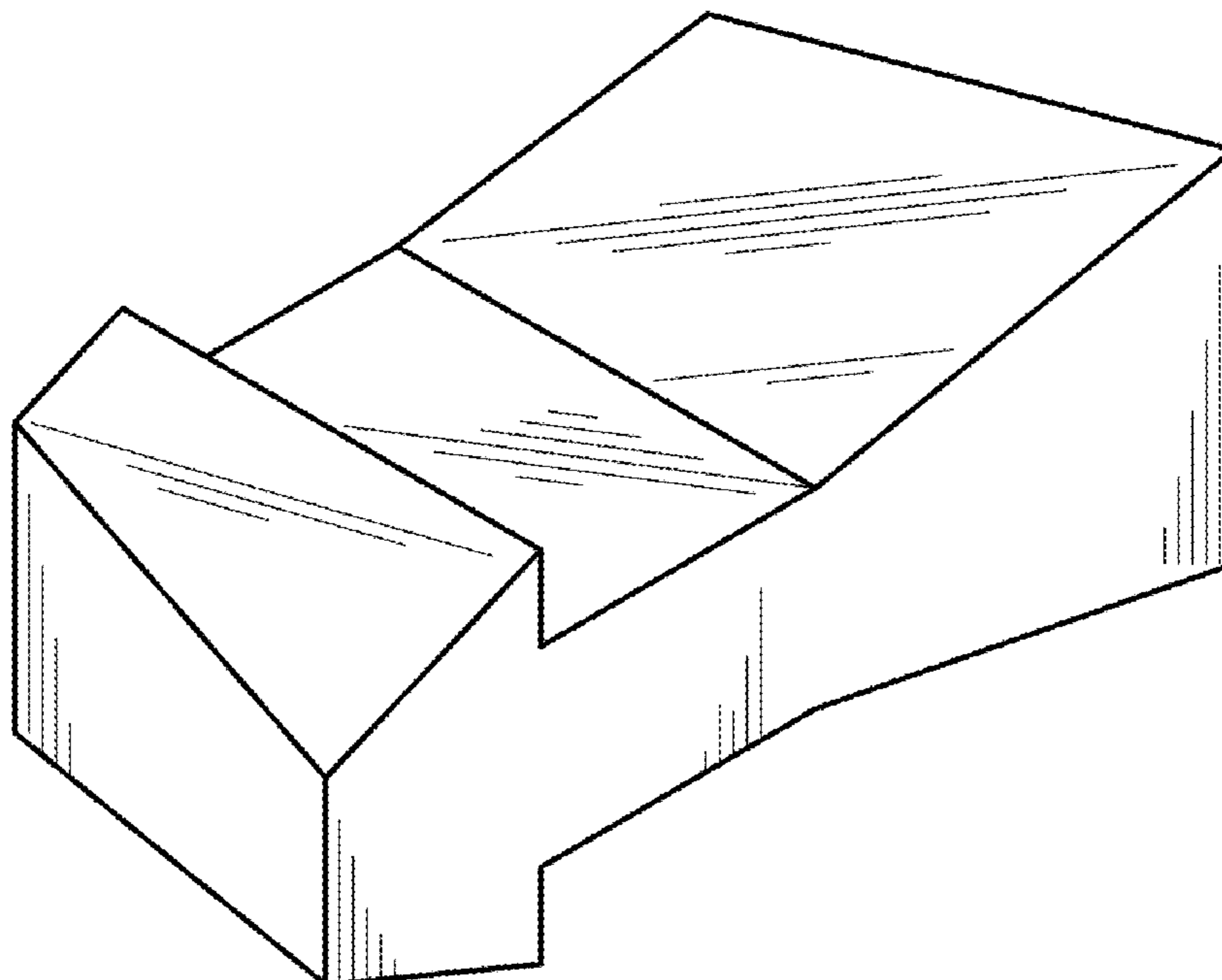
(51) **LOC (12) Cl.** ..... **13-02**

(52) **U.S. Cl.**  
USPC ..... **D13/118; D13/183**

(58) **Field of Classification Search**  
USPC ..... D13/117, 101, 118, 133, 179, 183, 199;  
123/634; 250/231.12; 336/83, 90, 92,  
336/96, 160, 178, 192, 198, 200; D15/5,  
D15/199

FIG. 1 is a front perspective view of a conducting magnet showing my new design;  
FIG. 2 is a front elevational view thereof;  
FIG. 3 is a rear elevational view thereof;  
FIG. 4 is a left elevational view thereof;  
FIG. 5 is a right elevational view thereof;  
FIG. 6 is a top plan view thereof;  
FIG. 7 is a bottom plan view thereof; and,  
FIG. 8 is a rear perspective view thereof.

**1 Claim, 5 Drawing Sheets**



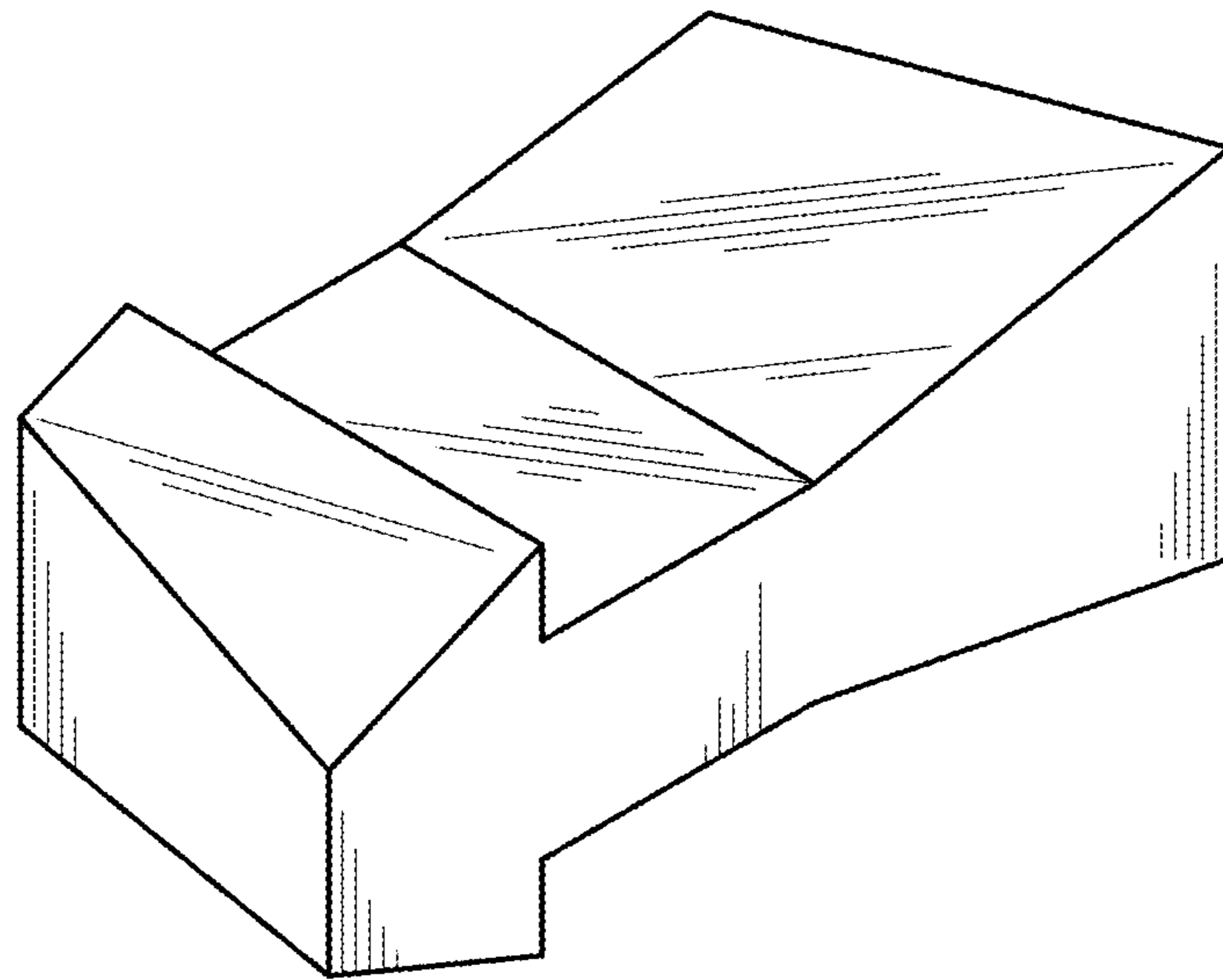


FIG. 1

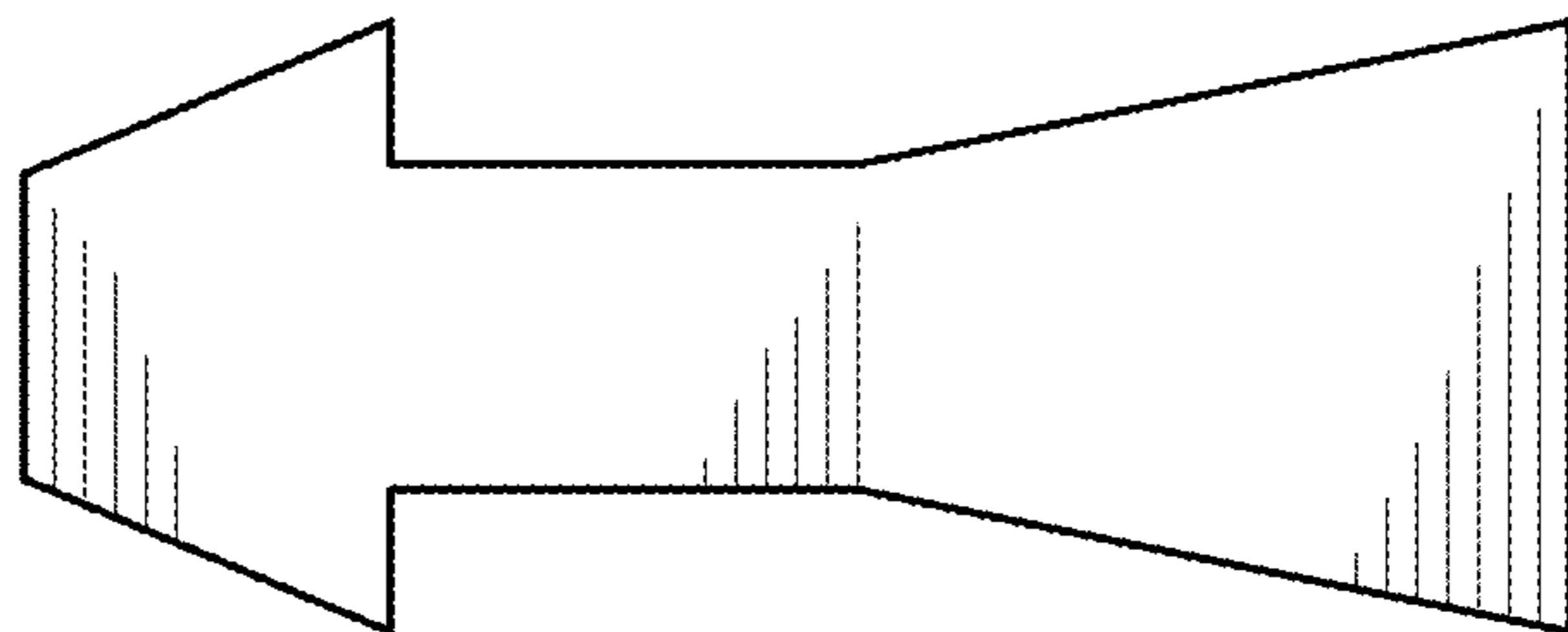


FIG. 2

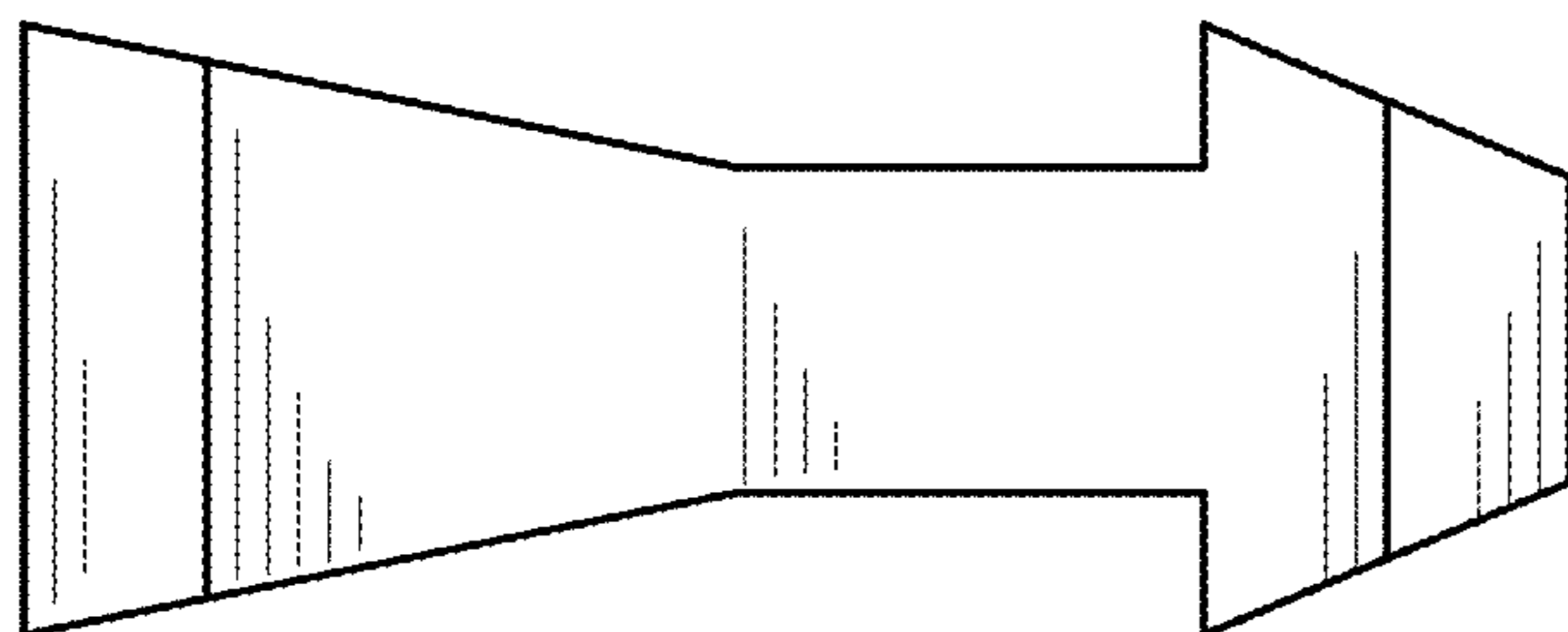


FIG. 3

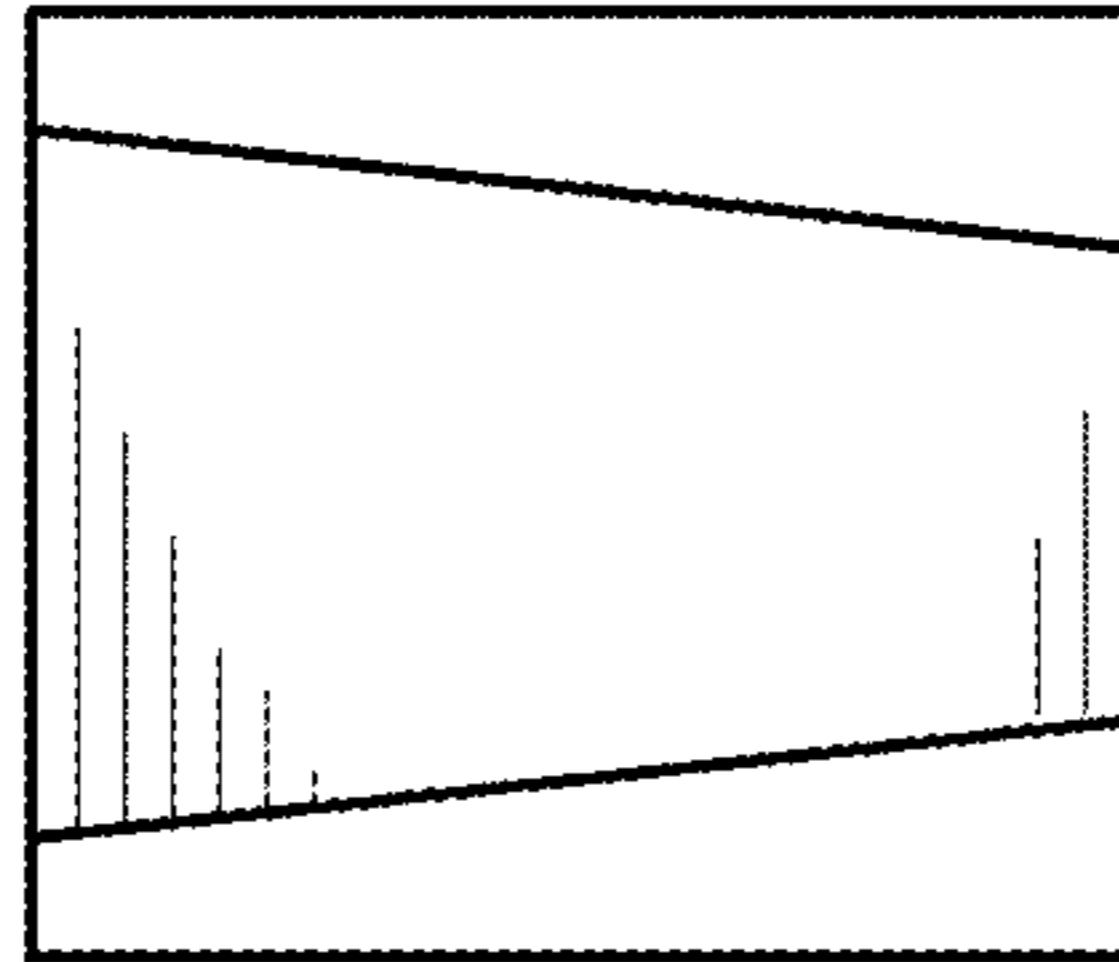


FIG. 4

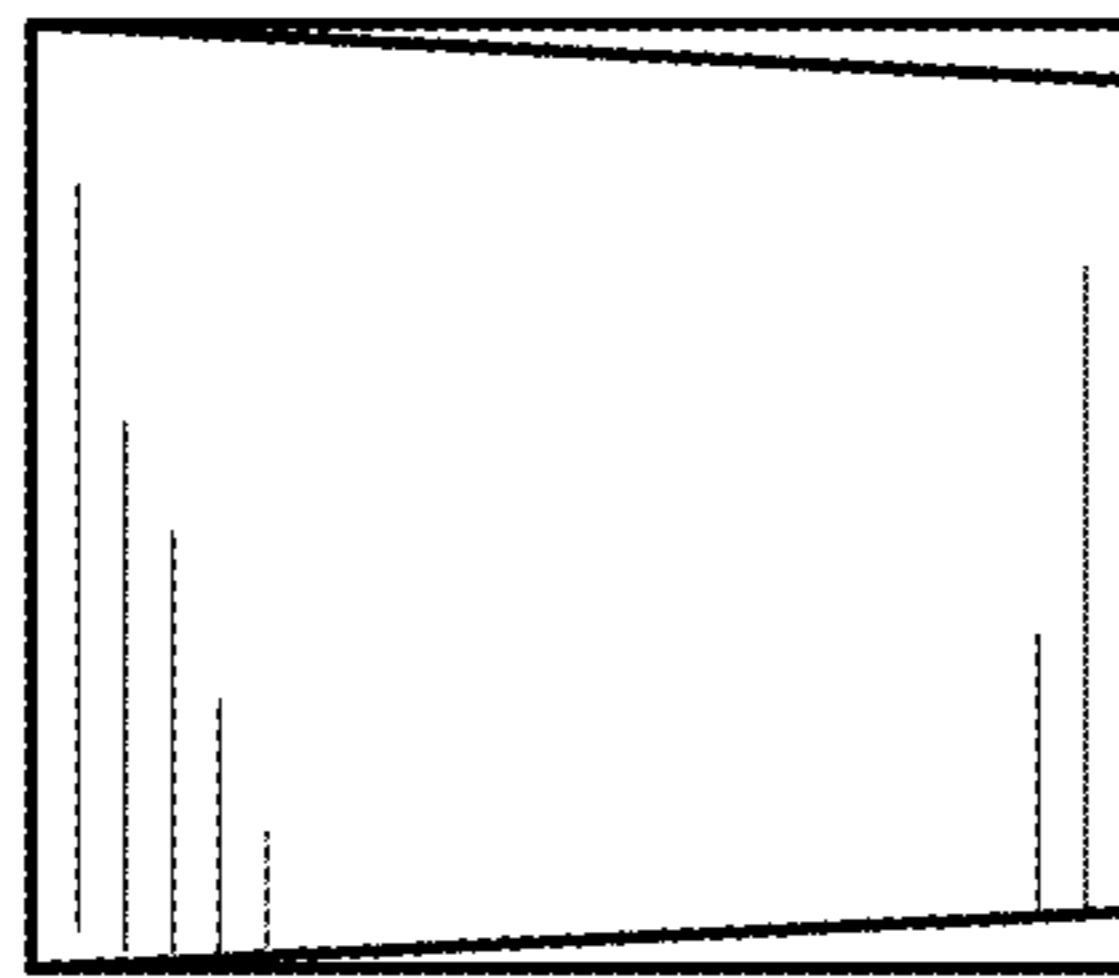


FIG. 5

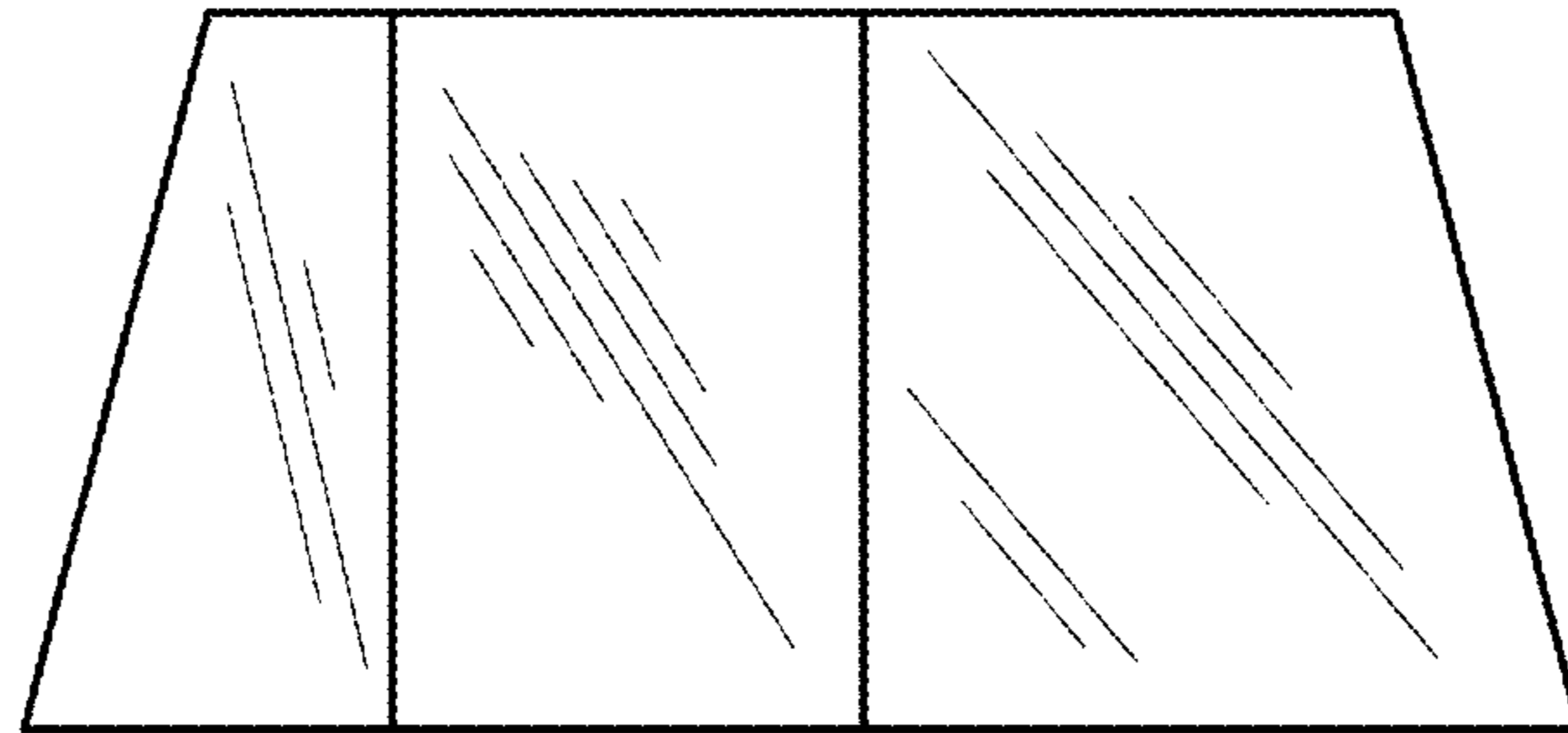


FIG. 6

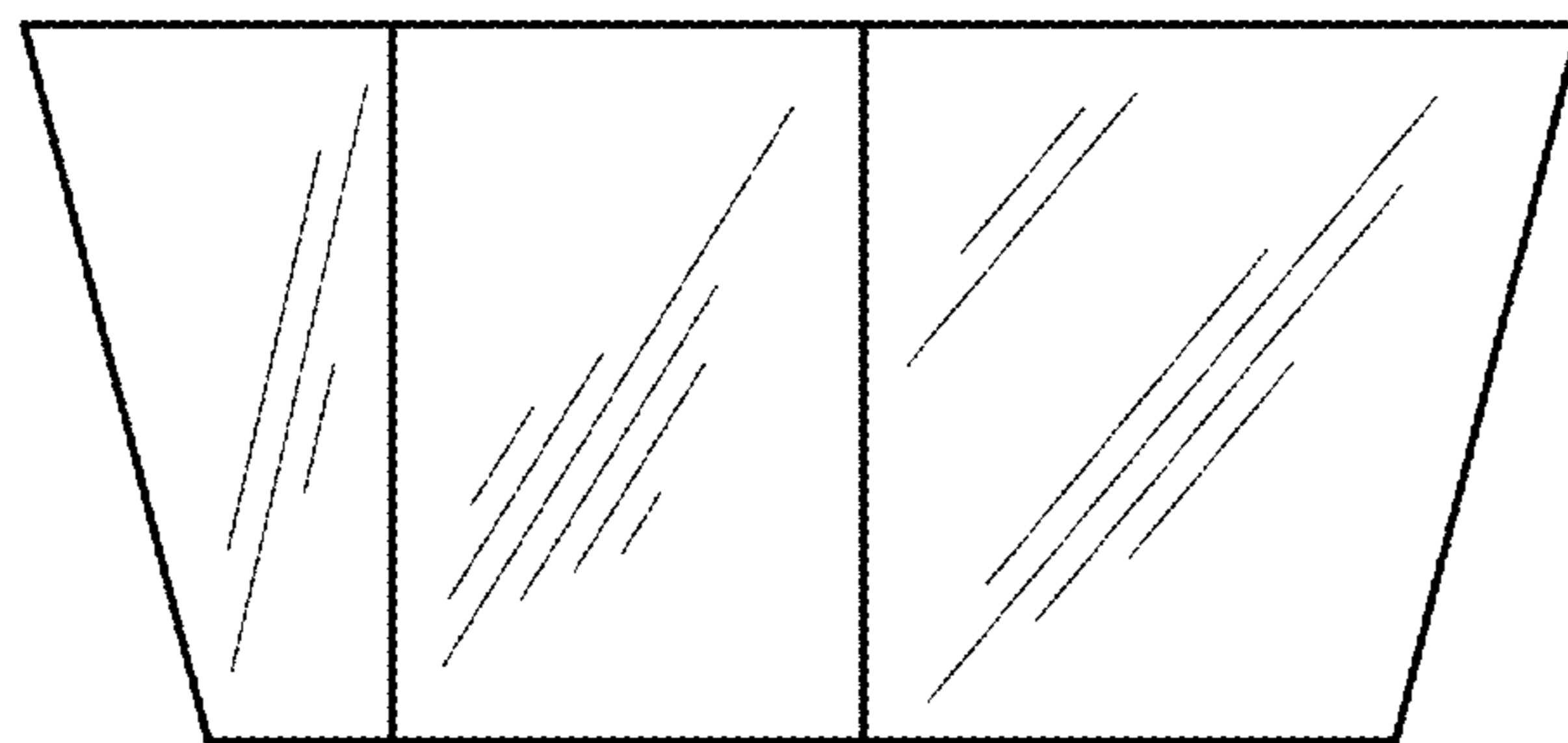


FIG. 7

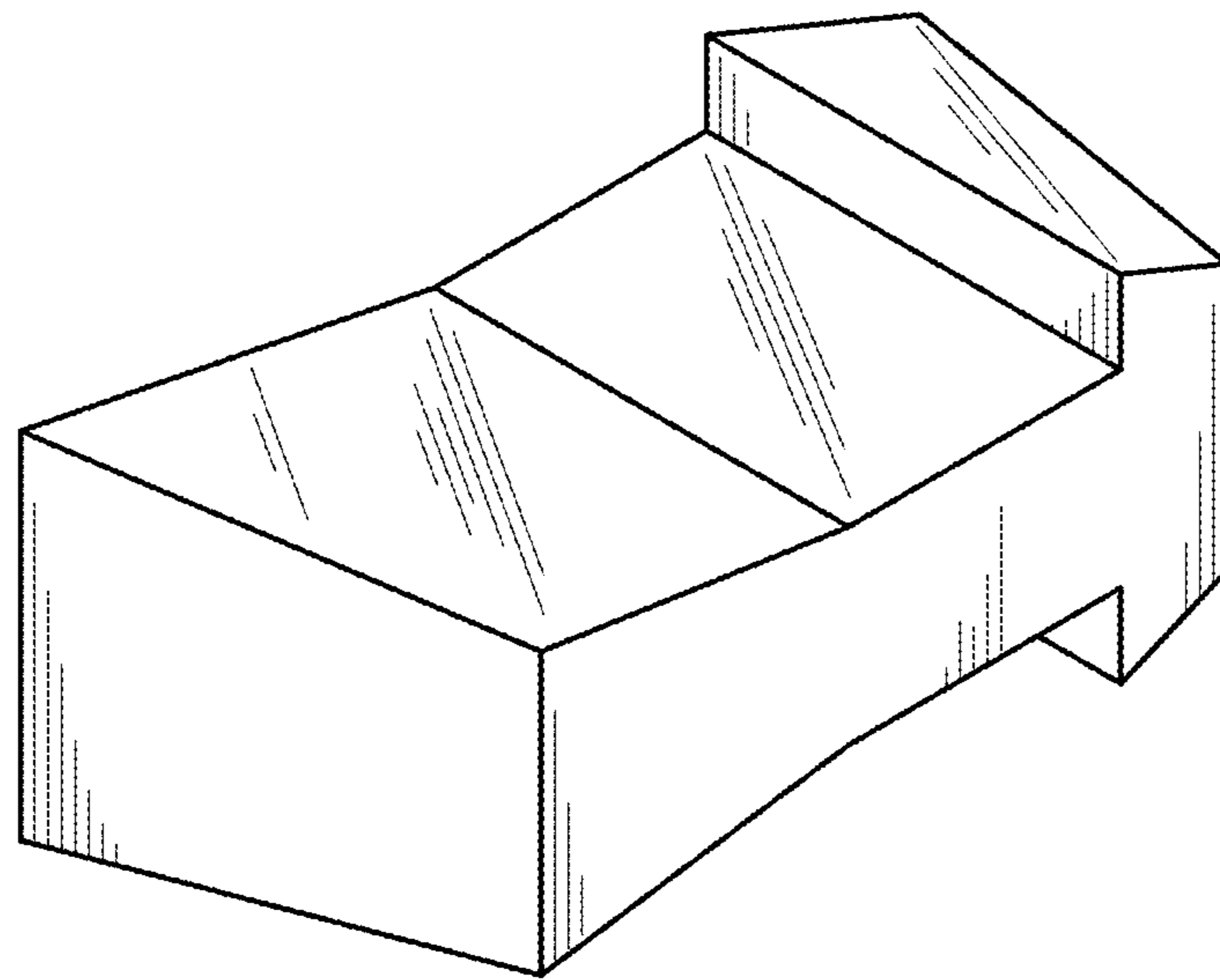


FIG. 8