

US00D873771S

(12) **United States Design Patent**
Koshiishi

(10) **Patent No.:** **US D873,771 S**
(45) **Date of Patent:** **** Jan. 28, 2020**

(54) **BATTERY CHARGER**

(71) Applicant: **HONDA MOTOR CO., LTD.**, Tokyo
(JP)

(72) Inventor: **Takeshi Koshiishi**, Wako (JP)

(73) Assignee: **HONDA MOTOR CO., LTD.**, Tokyo
(JP)

(**) Term: **15 Years**

(21) Appl. No.: **29/641,137**

(22) Filed: **Mar. 20, 2018**

(30) **Foreign Application Priority Data**

Sep. 21, 2017 (JP) 2017-020609

(51) **LOC (12) Cl.** **13-01**

(52) **U.S. Cl.**
USPC **D13/116**

(58) **Field of Classification Search**
USPC D13/103–110, 118–119, 112–116
CPC H02J 7/0042; H02J 7/0045; H02J 7/0054;
H02J 7/0044; H02J 2007/0062
See application file for complete search history.

(56) **References Cited**

U.S. PATENT DOCUMENTS

D327,468 S *	6/1992	Dea	D13/104
D425,018 S *	5/2000	Madura	D13/110
D455,398 S *	4/2002	Frank	D13/110
D641,318 S *	7/2011	Maeda	D13/116
D668,608 S *	10/2012	Itoh	D13/116
D712,834 S *	9/2014	Munro	D13/116
D762,165 S *	7/2016	Rowe	D13/103
D802,530 S *	11/2017	Adams	D13/109

D811,325 S *	2/2018	Inskeep	D13/107
D812,561 S *	3/2018	Inskeep	D13/107
D834,517 S *	11/2018	Fritz	D13/116
D846,494 S *	4/2019	Takahashi	D13/103
2009/0322100 A1 *	12/2009	Hiranuma	F02B 63/04 290/1 R
2011/0101780 A1 *	5/2011	Johnson	H01M 2/1022 307/66
2012/0242277 A1 *	9/2012	Flemming	H02J 7/0042 320/104
2014/0153171 A1 *	6/2014	Ogura	H02J 7/0044 361/679.01
2017/0117726 A1 *	4/2017	Jore	H02J 7/0045

* cited by examiner

Primary Examiner — Brett Miller

(74) *Attorney, Agent, or Firm* — Westerman, Hattori,
Daniels & Adrian, LLP

(57) **CLAIM**

The ornamental design for a battery charger, as shown and described.

DESCRIPTION

FIG. 1 is a front perspective view of a battery charger.
FIG. 2 is a rear perspective view thereof.
FIG. 3 is a front elevation view thereof.
FIG. 4 is a rear elevation view thereof.
FIG. 5 is a top plan view thereof.
FIG. 6 is a bottom plan view thereof.
FIG. 7 is a left side elevation view thereof.
FIG. 8 is a right side elevation view thereof.
FIG. 9 is a front perspective view with the lid open; and,
FIG. 10 is a front perspective view with the handle pulled up.

The broken lines shown in the drawings illustrate portions of the battery charger that form no part of the claimed design.

1 Claim, 10 Drawing Sheets

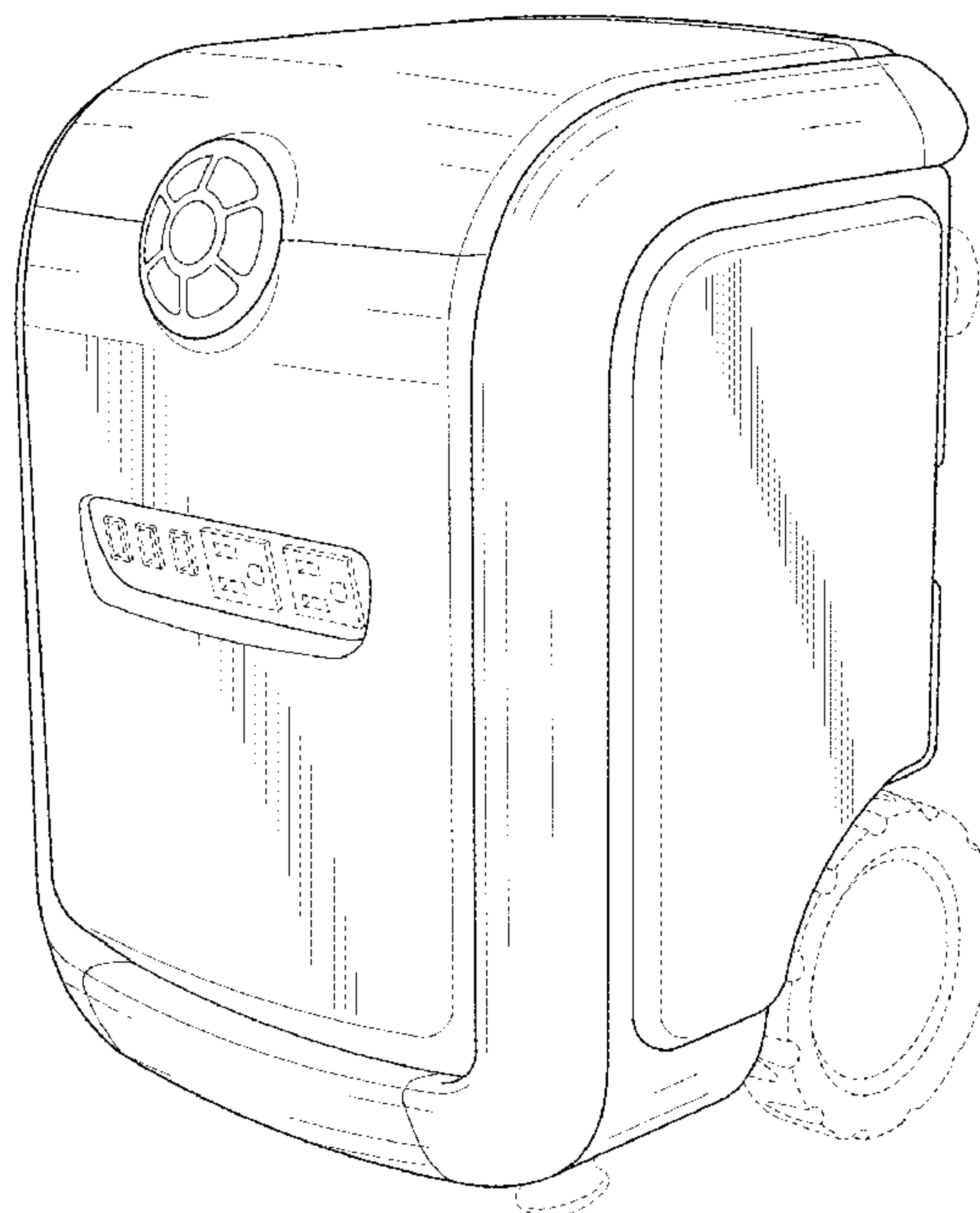


FIG. 1

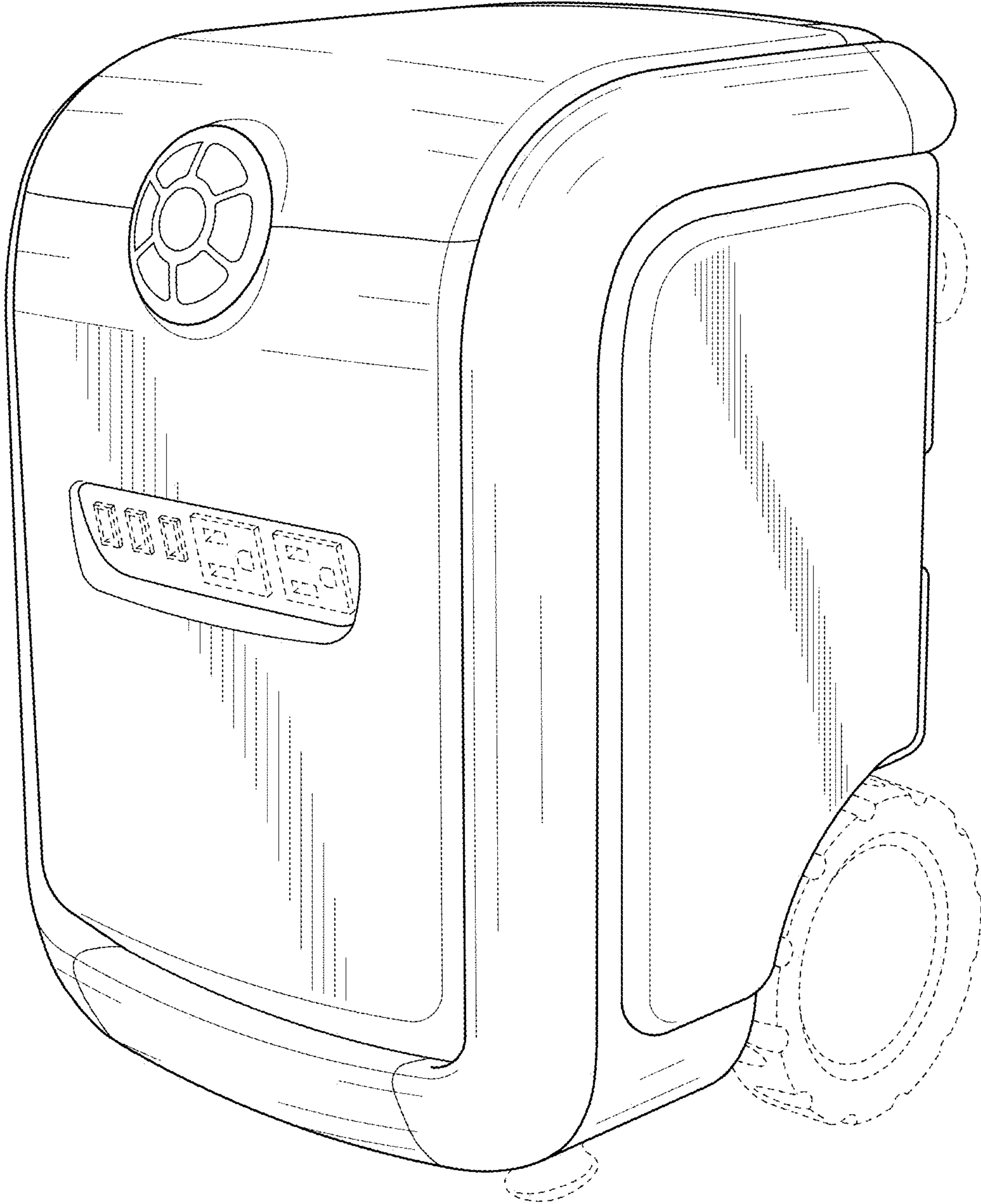


FIG. 2

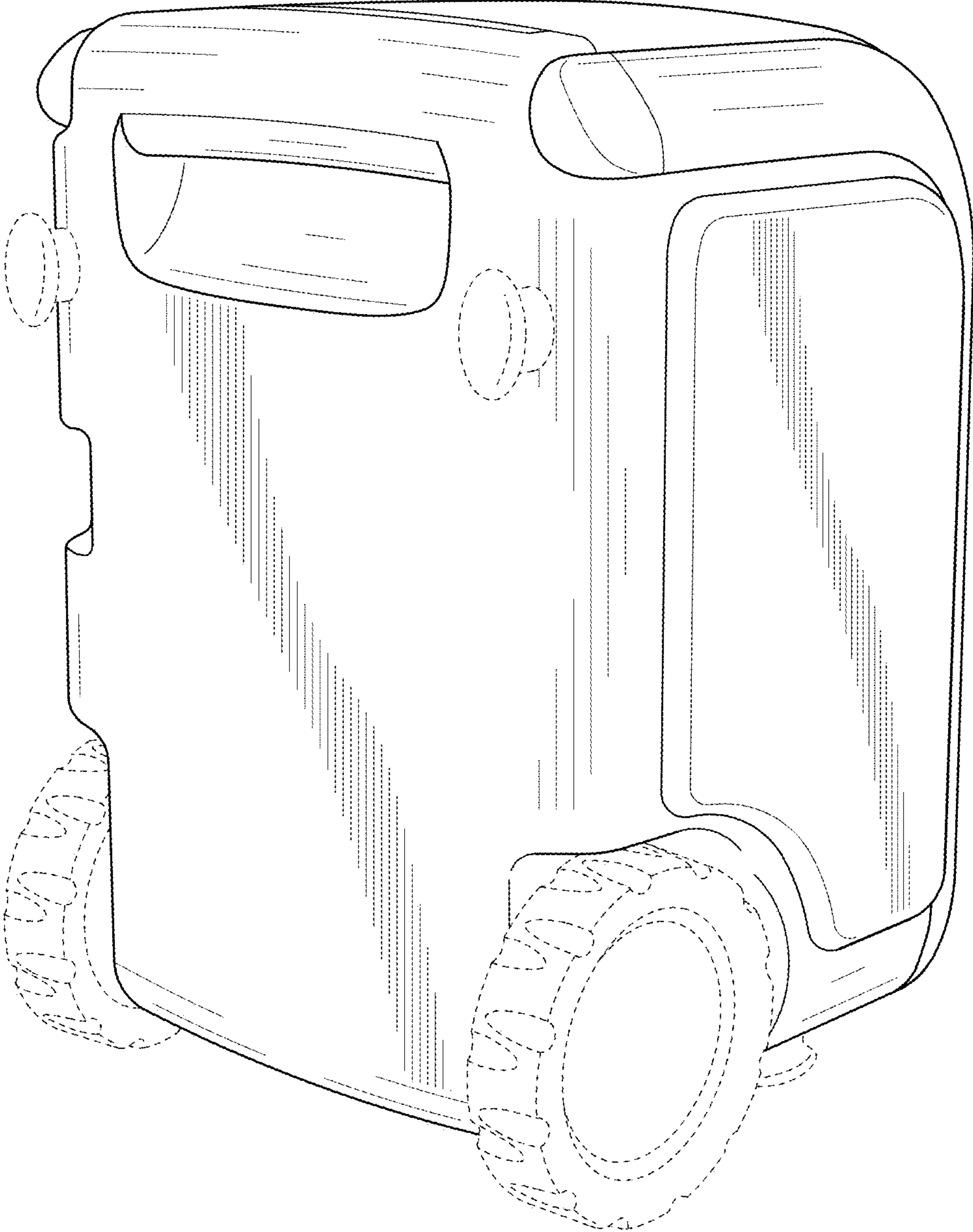


FIG. 3

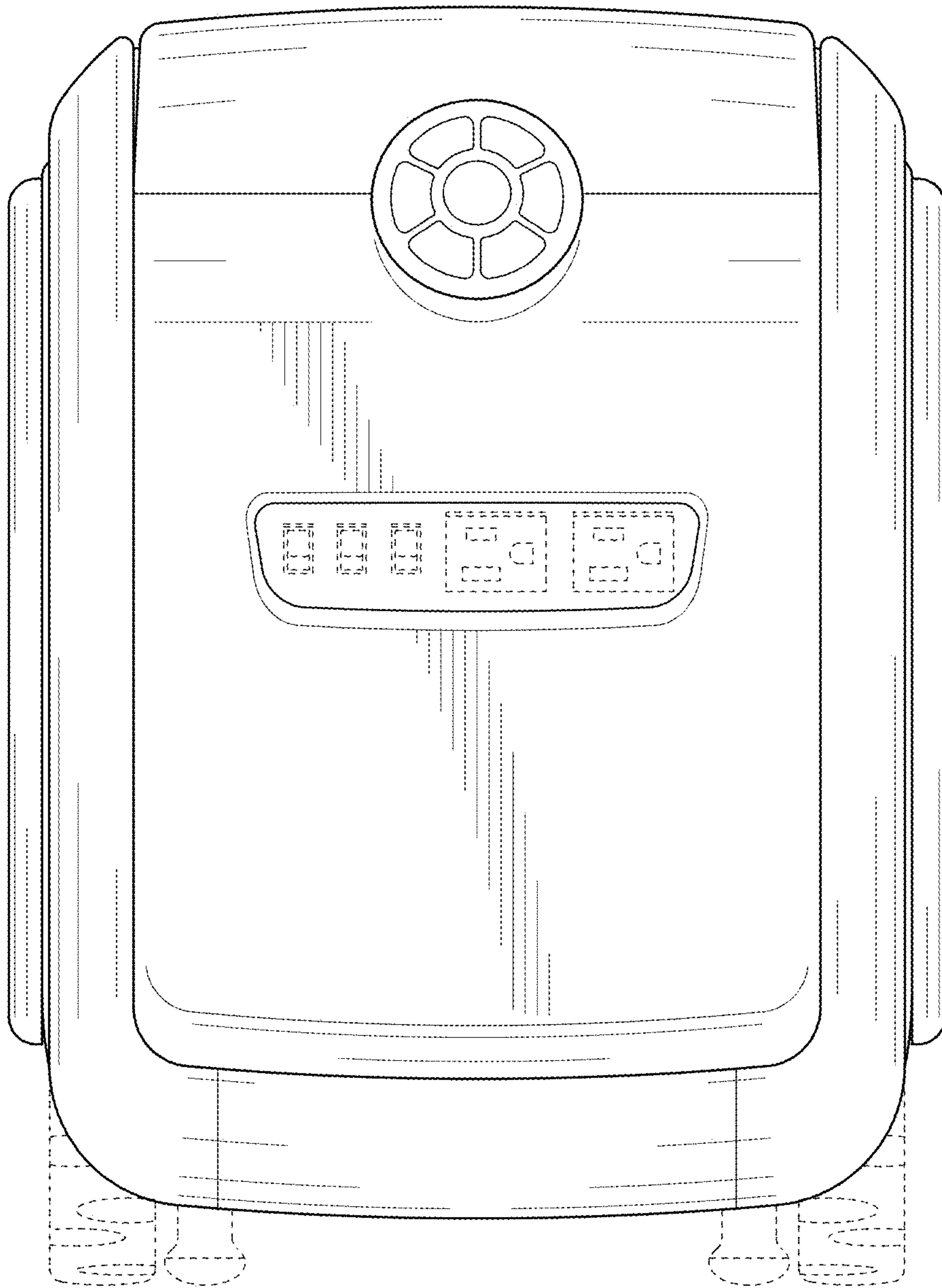


FIG. 4

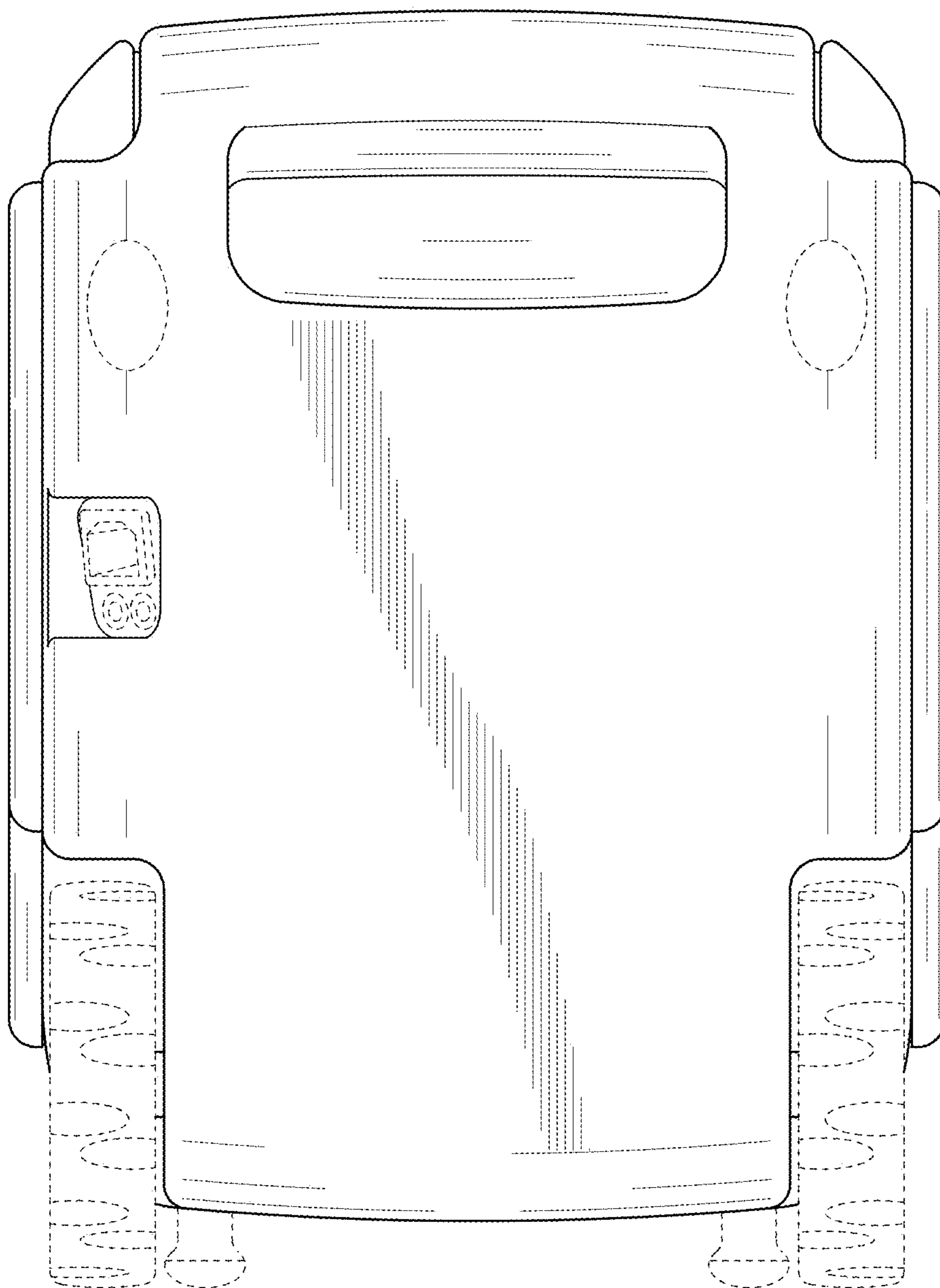


FIG. 5

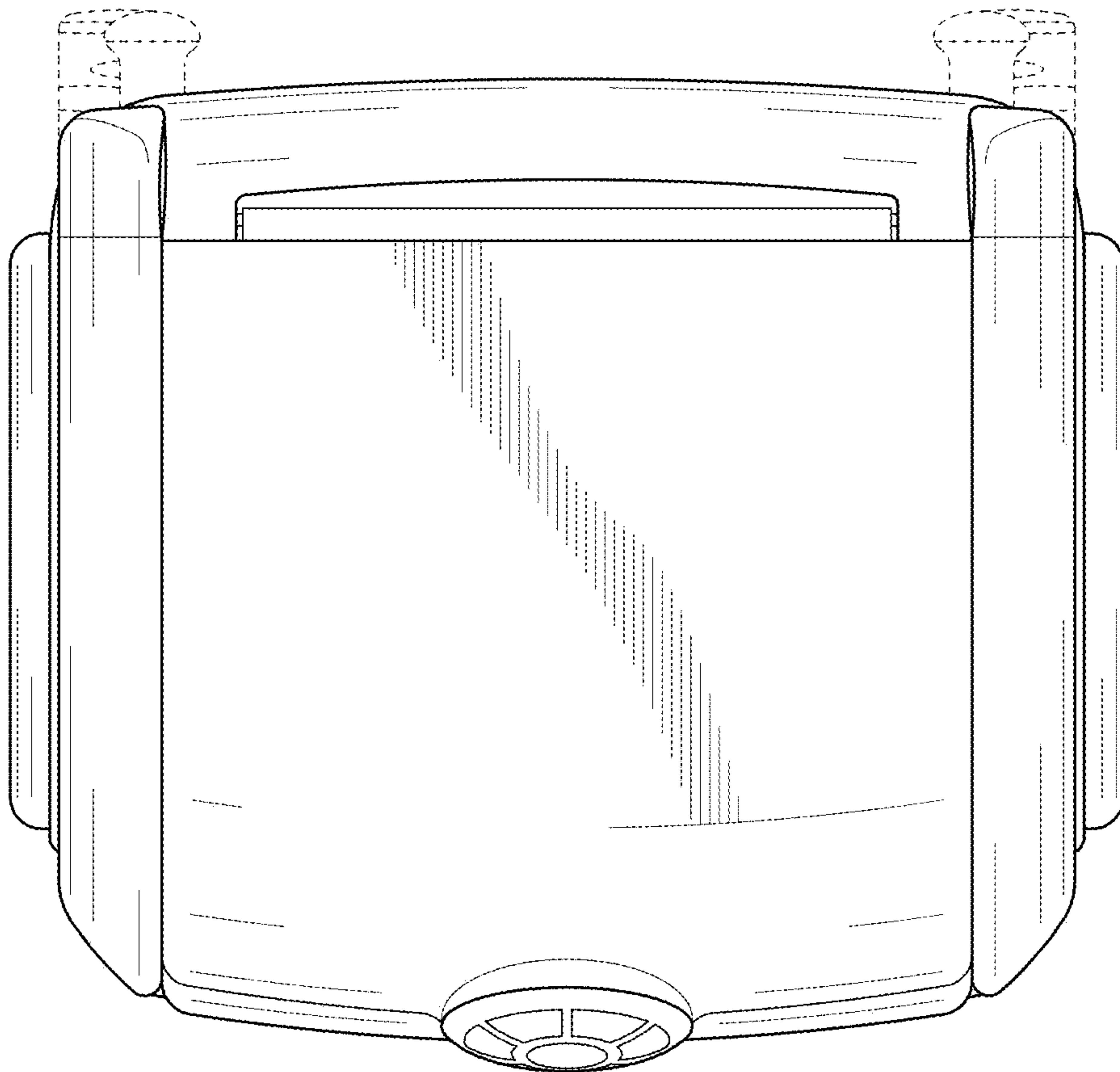


FIG. 6

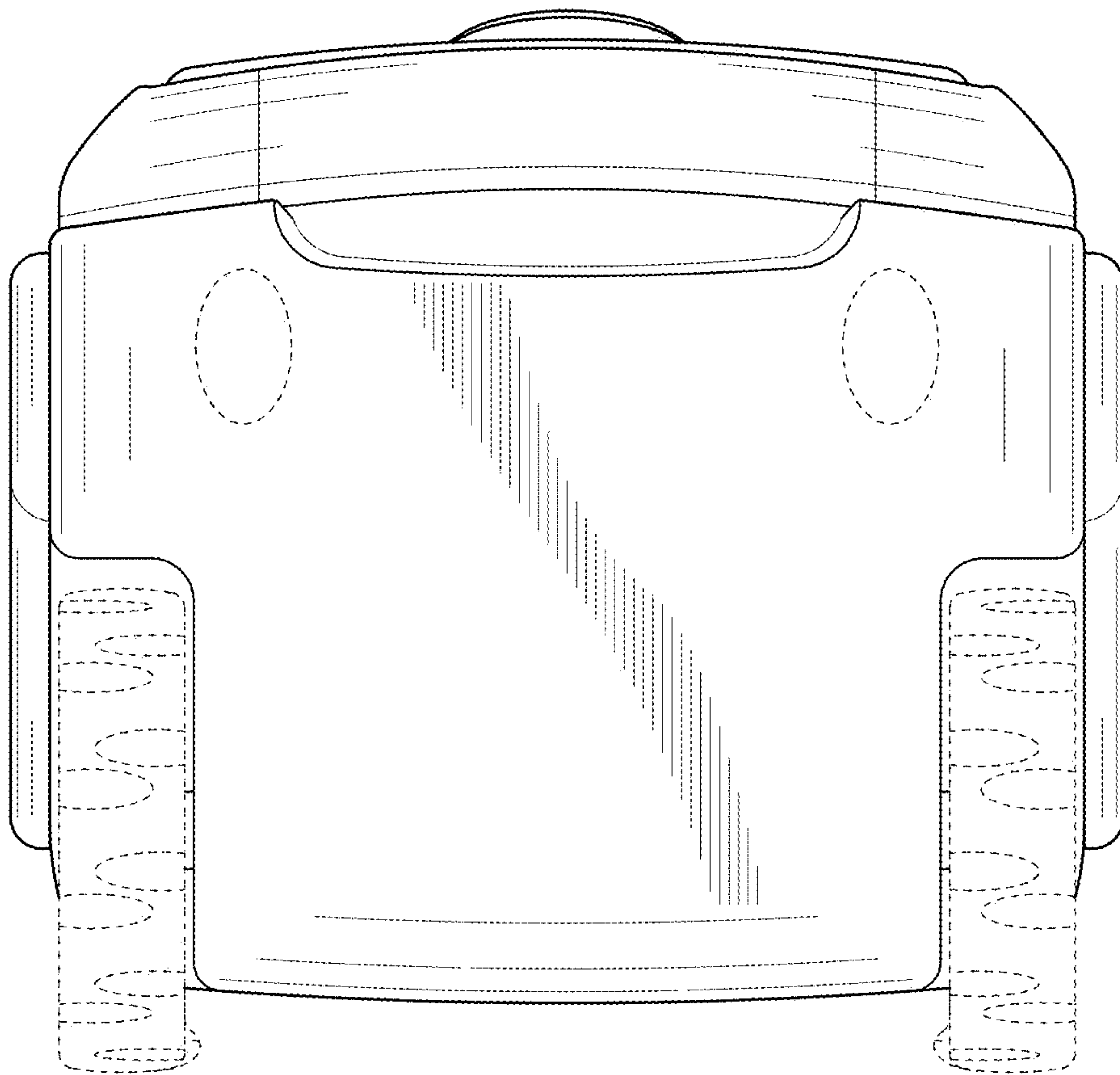


FIG. 7

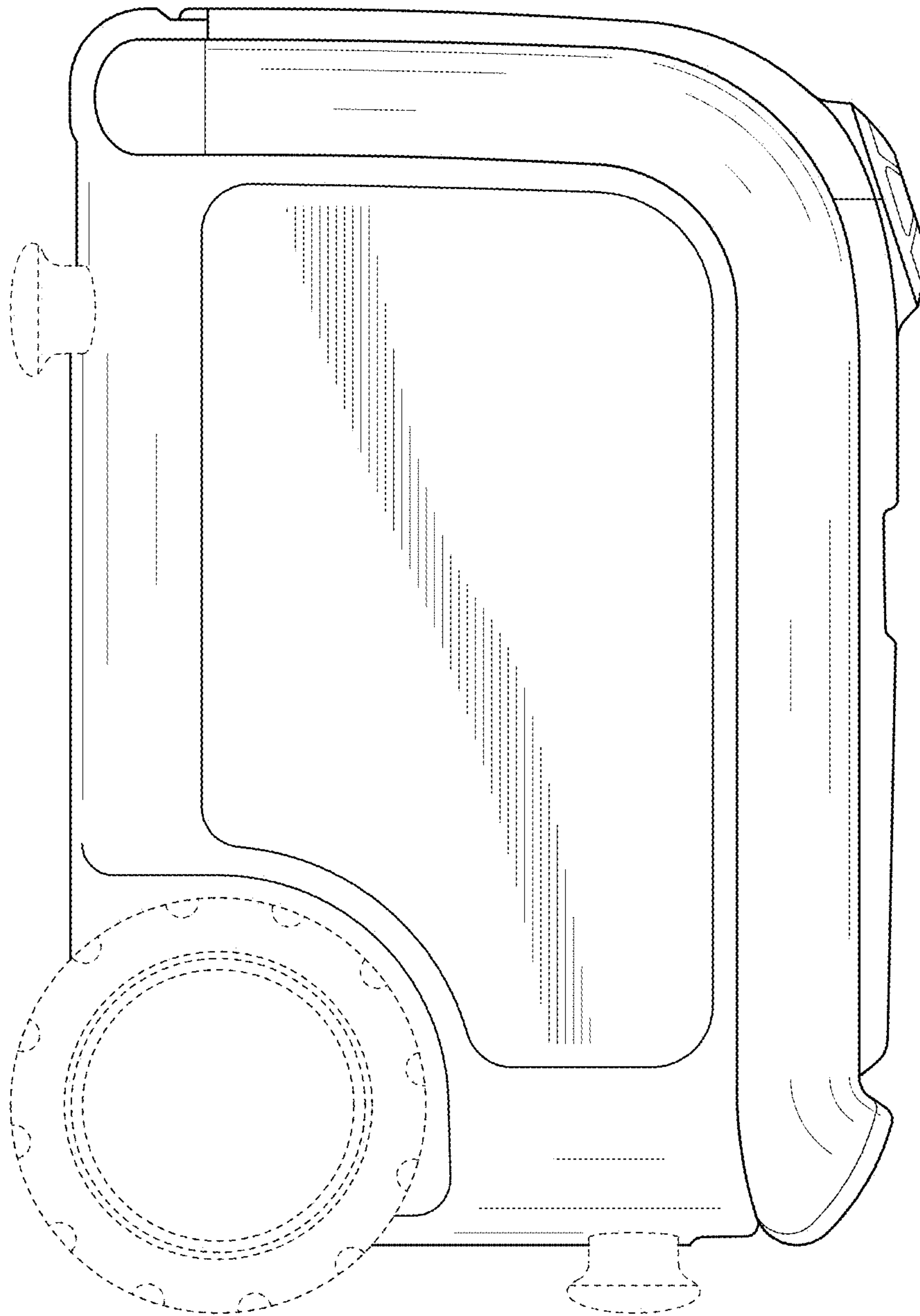


FIG. 8

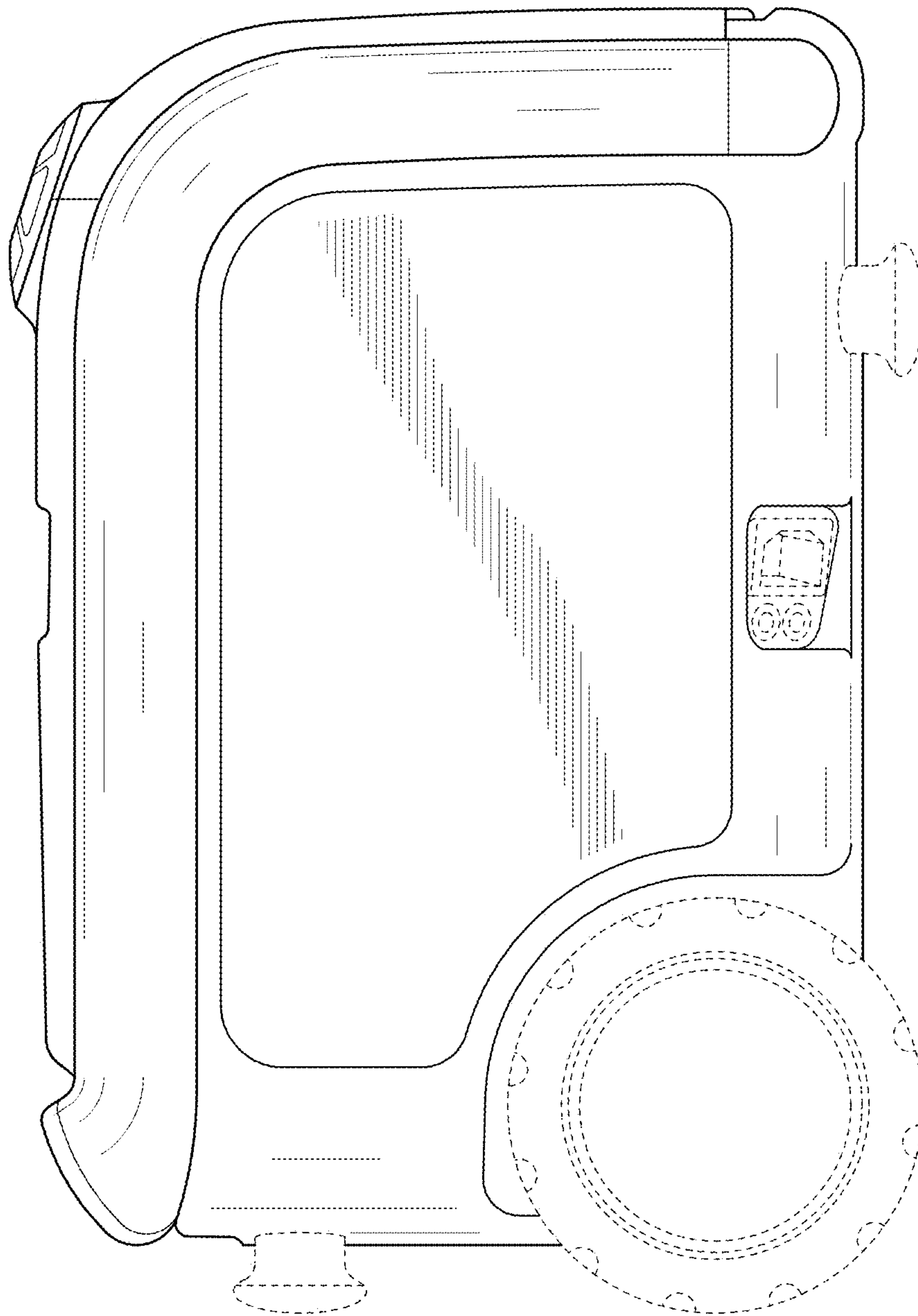


FIG. 9

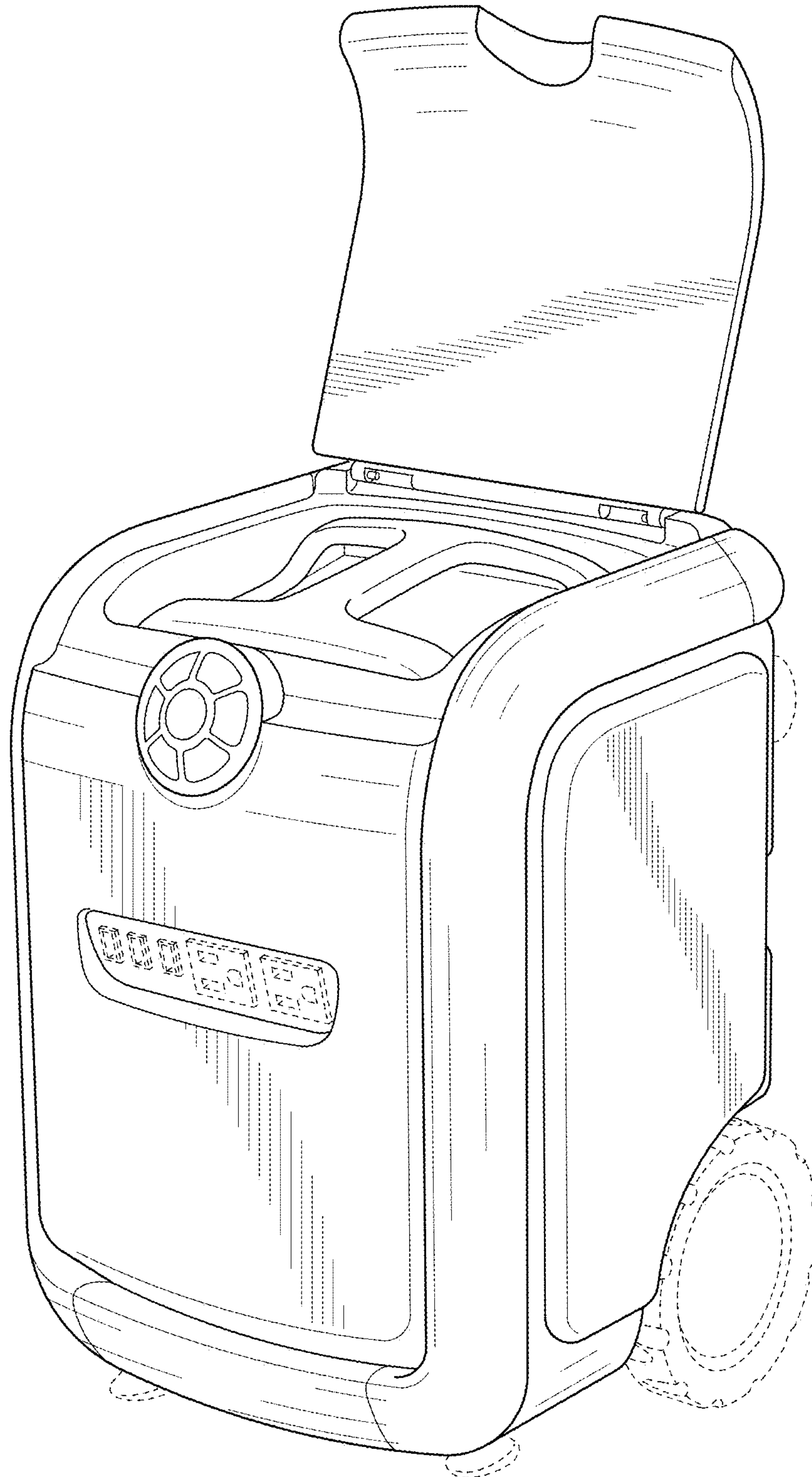


FIG. 10

