



US00D873770S

(12) **United States Design Patent**
Wang

(10) **Patent No.:** **US D873,770 S**

(45) **Date of Patent:** **** Jan. 28, 2020**

(54) **CAR WIRELESS CHARGER**

(71) Applicant: **Tuo Wang**, Guangdong (CN)

(72) Inventor: **Tuo Wang**, Guangdong (CN)

(**) Term: **15 Years**

(21) Appl. No.: **29/671,813**

(22) Filed: **Nov. 29, 2018**

(51) **LOC (12) Cl.** **13-02**

(52) **U.S. Cl.**
USPC **D13/108**

(58) **Field of Classification Search**

USPC D13/103–110, 118, 119, 184, 199;
D14/251, 253, 432, 434

CPC Y02E 60/10; Y02E 60/12; Y02E 60/122;
Y02E 60/124; Y02E 60/50; H01M 2/02;
H01M 2/022; H01M 2/0202; H01M
2/0207; H01M 2/0212; H01M 2/1061;
H01M 2/1022; H01M 2/1055; H01M
2/1066; H01M 2/105; H01M 2/20; H01M
2/202; H01M 2/204; H01M 2/206; H01M
10/44; H01M 10/46; H01M 10/465;
H01M 10/482; H01M 2200/30; H01M
2250/30; H01M 2250/40; H02J 7/00;
H02J 7/0003; H02J 7/0011; H02J 7/0013;
H02J 7/0054; H02J 7/0055; H02J 7/0057;
H02J 2007/0062

See application file for complete search history.

(56) **References Cited**

U.S. PATENT DOCUMENTS

D652,793 S * 1/2012 Tschopp D13/107
D655,245 S * 3/2012 Itoh D13/110

D711,875 S * 8/2014 Daniel D14/385
D727,329 S * 4/2015 Johnson D14/434
D814,404 S * 4/2018 Barajas D13/107
D863,218 S * 10/2019 Chen D13/108

* cited by examiner

Primary Examiner — Rosemary K Tarcza

Assistant Examiner — Christy M Nemeth

(57) **CLAIM**

The ornamental design for a car wireless charger, as shown and described.

DESCRIPTION

FIG. 1 is a top, front and right side perspective view of a car wireless charger showing my new design;

FIG. 2 is a bottom, rear and left side perspective view thereof;

FIG. 3 is a front elevational view thereof;

FIG. 4 is a rear elevational view thereof;

FIG. 5 is a left side view thereof;

FIG. 6 is a right side view thereof;

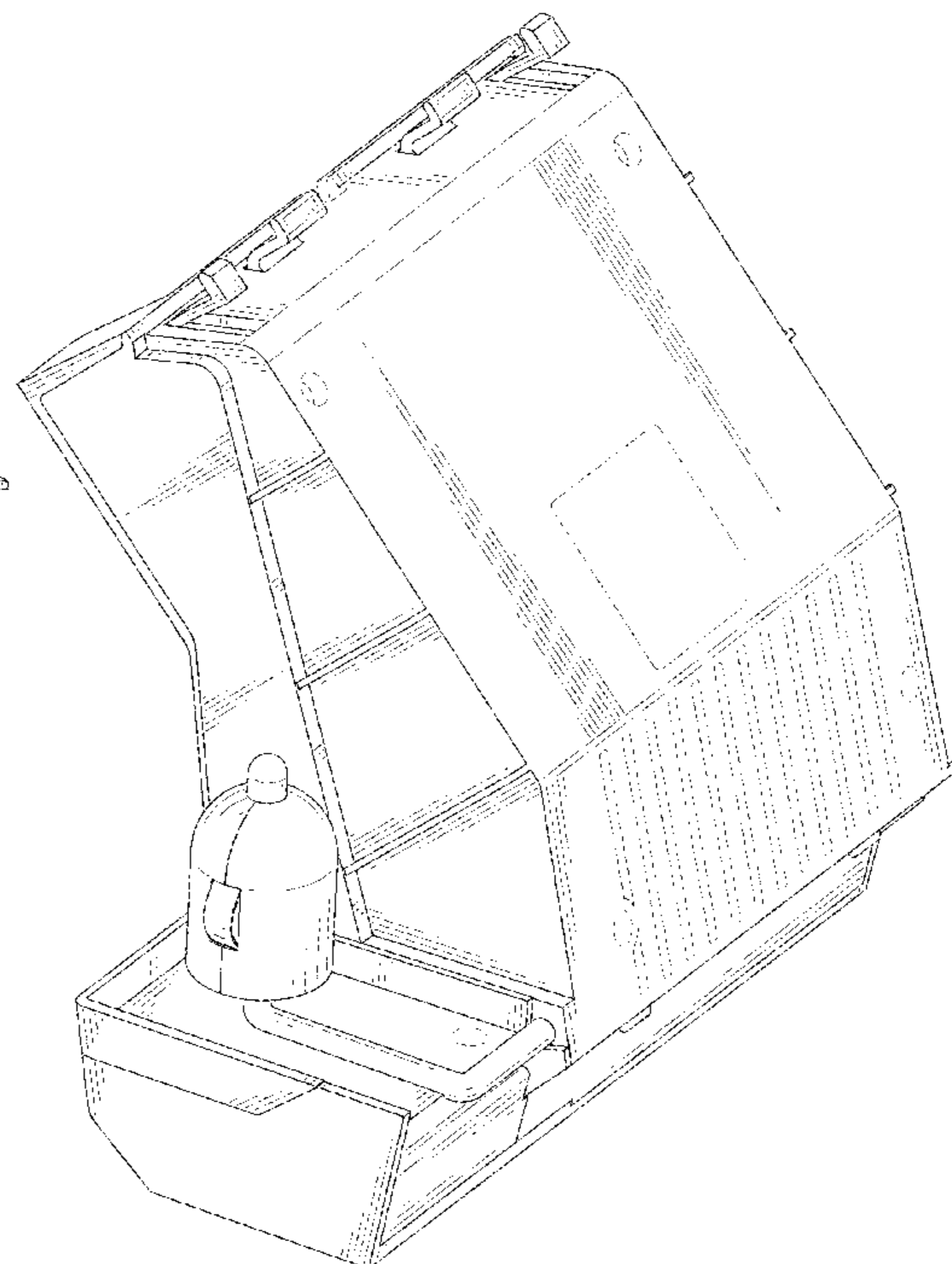
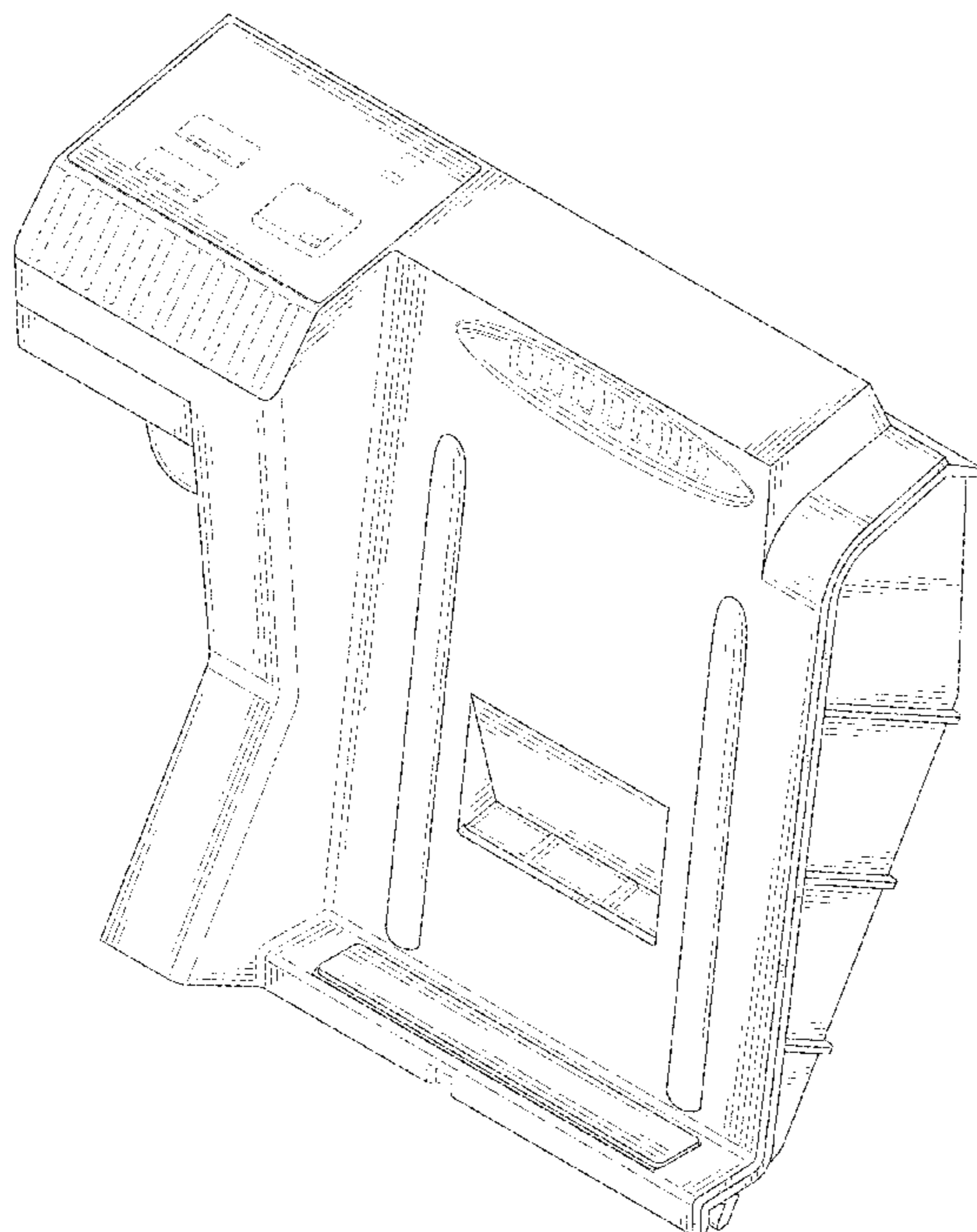
FIG. 7 is a top plan view thereof;

FIG. 8 is a bottom plan view thereof; and,

FIG. 9 is a top, front, and right side perspective view of the car wireless charger, shown in a state of use.

The broken lines in the drawings are for the purpose of illustrating portions of the car wireless charger and environmental subject matter that form no part of the claimed design.

1 Claim, 9 Drawing Sheets



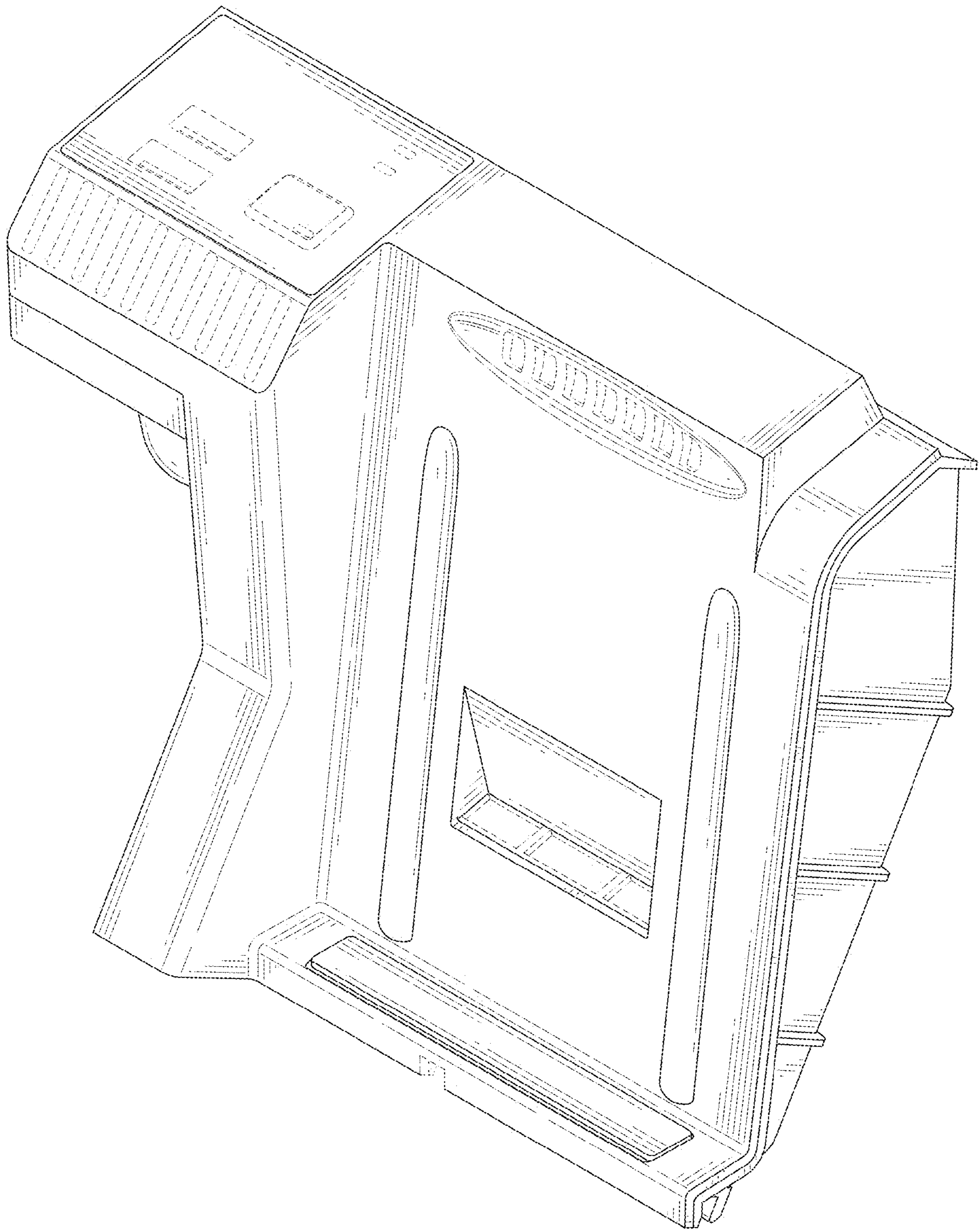


FIG. 1

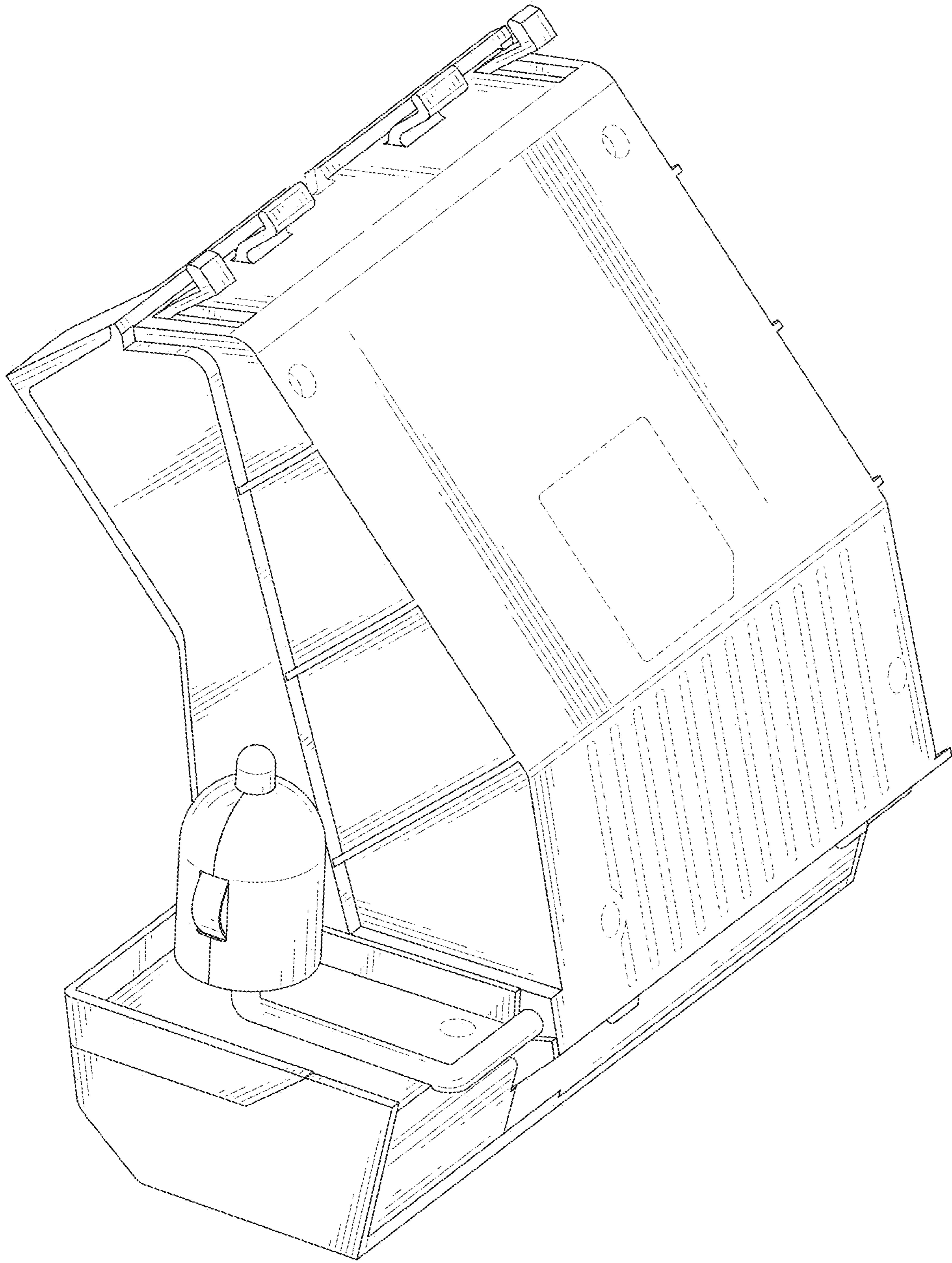


FIG. 2

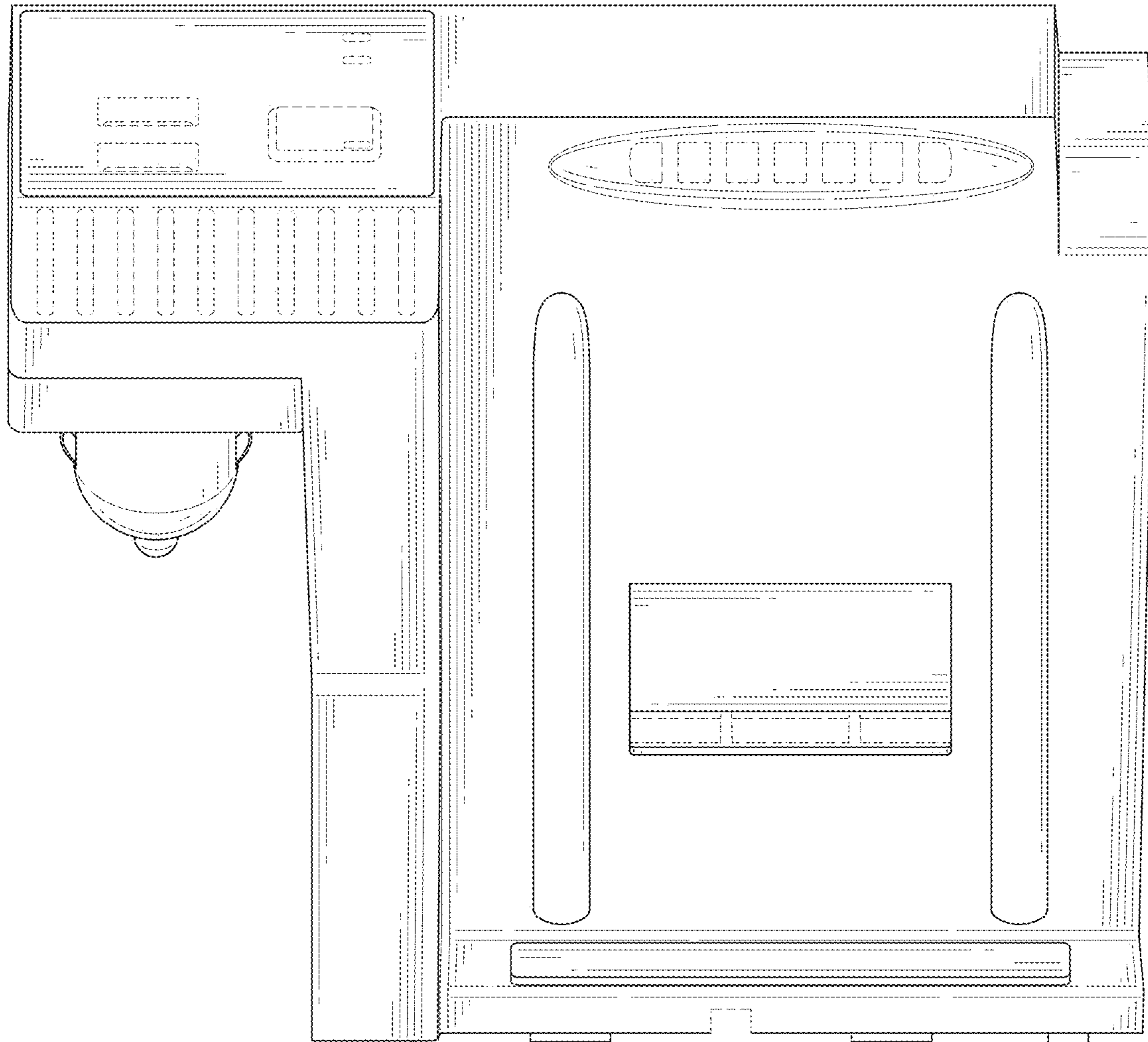


FIG. 3

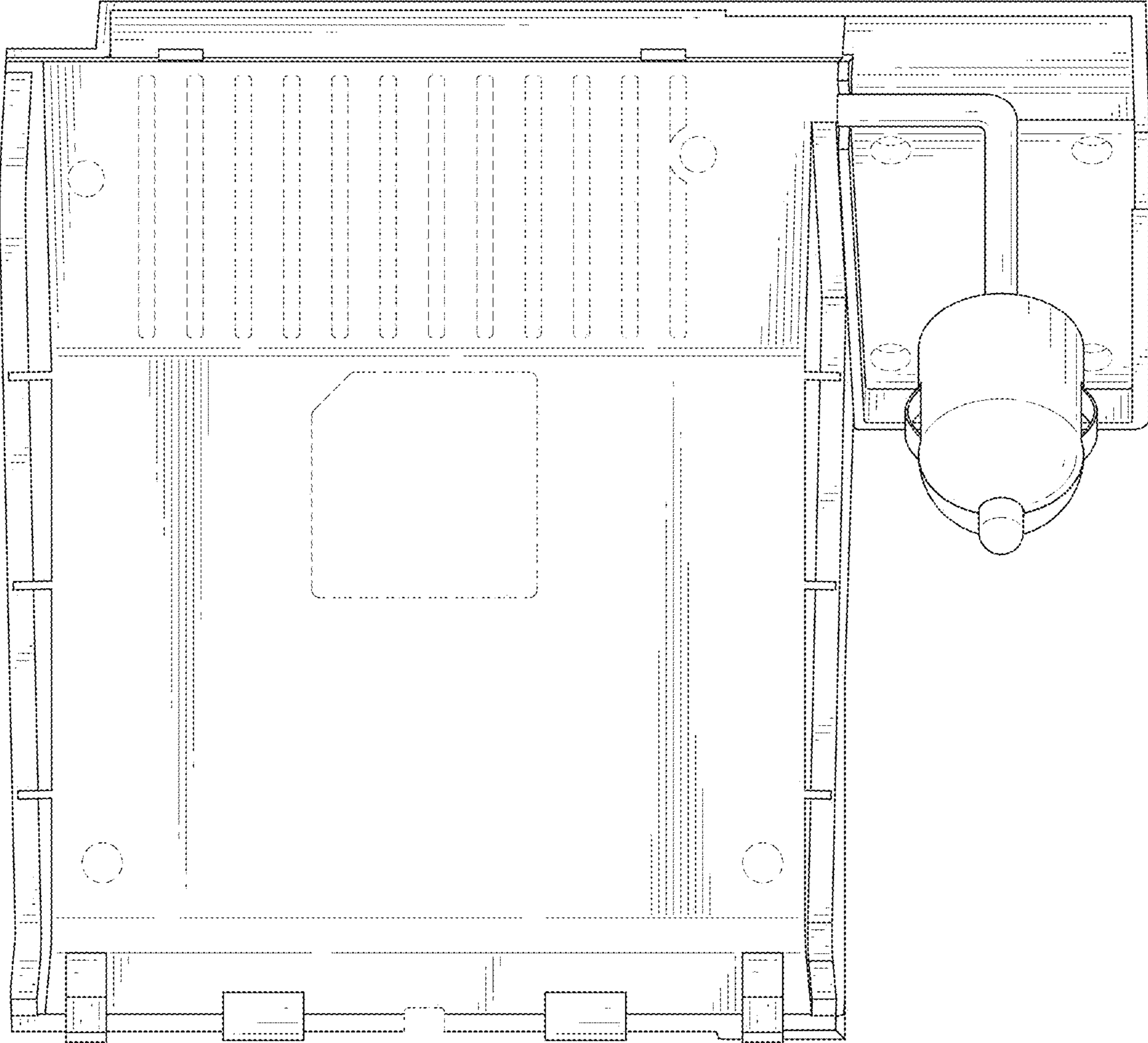


FIG. 4

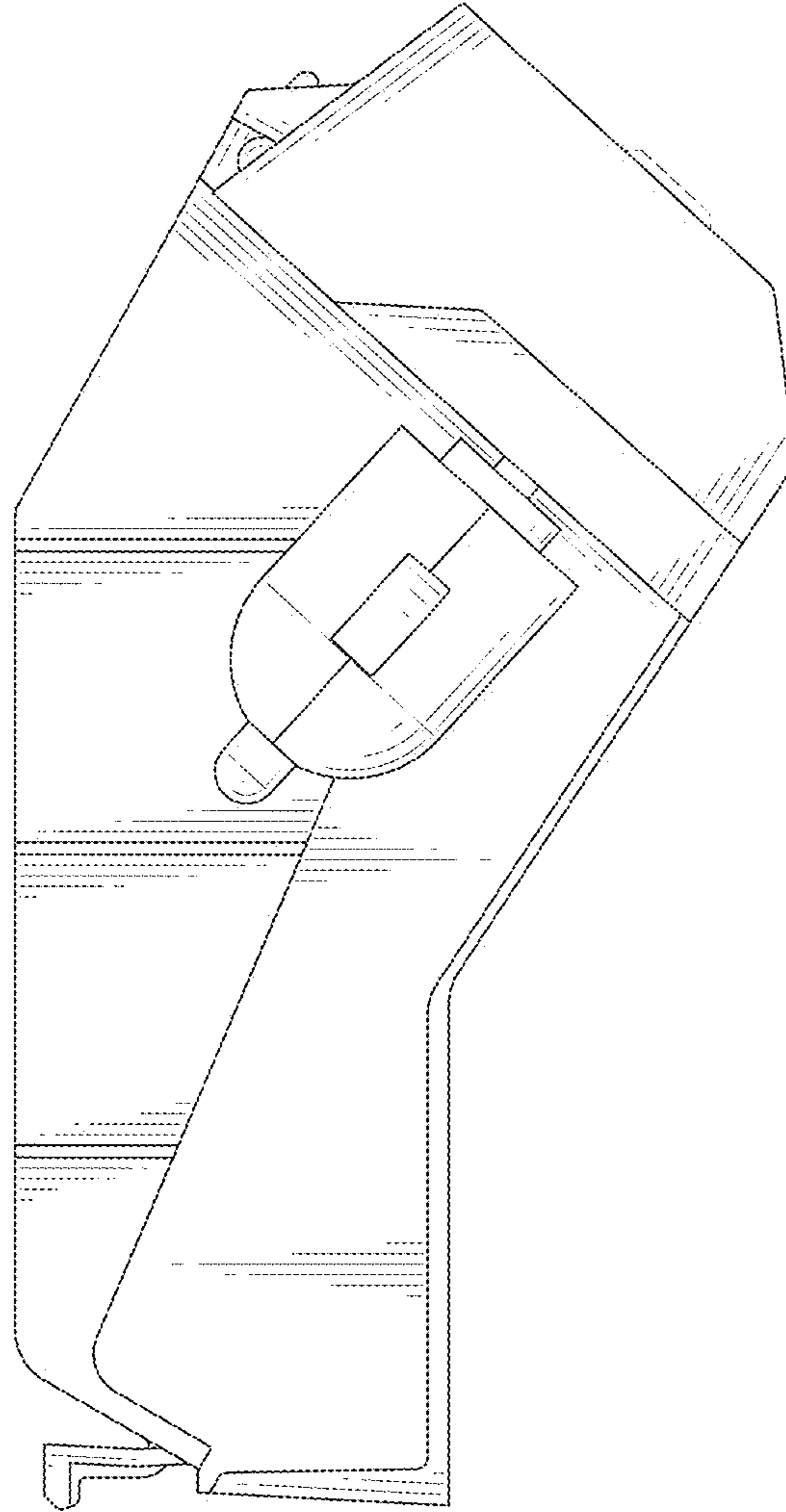


FIG. 5

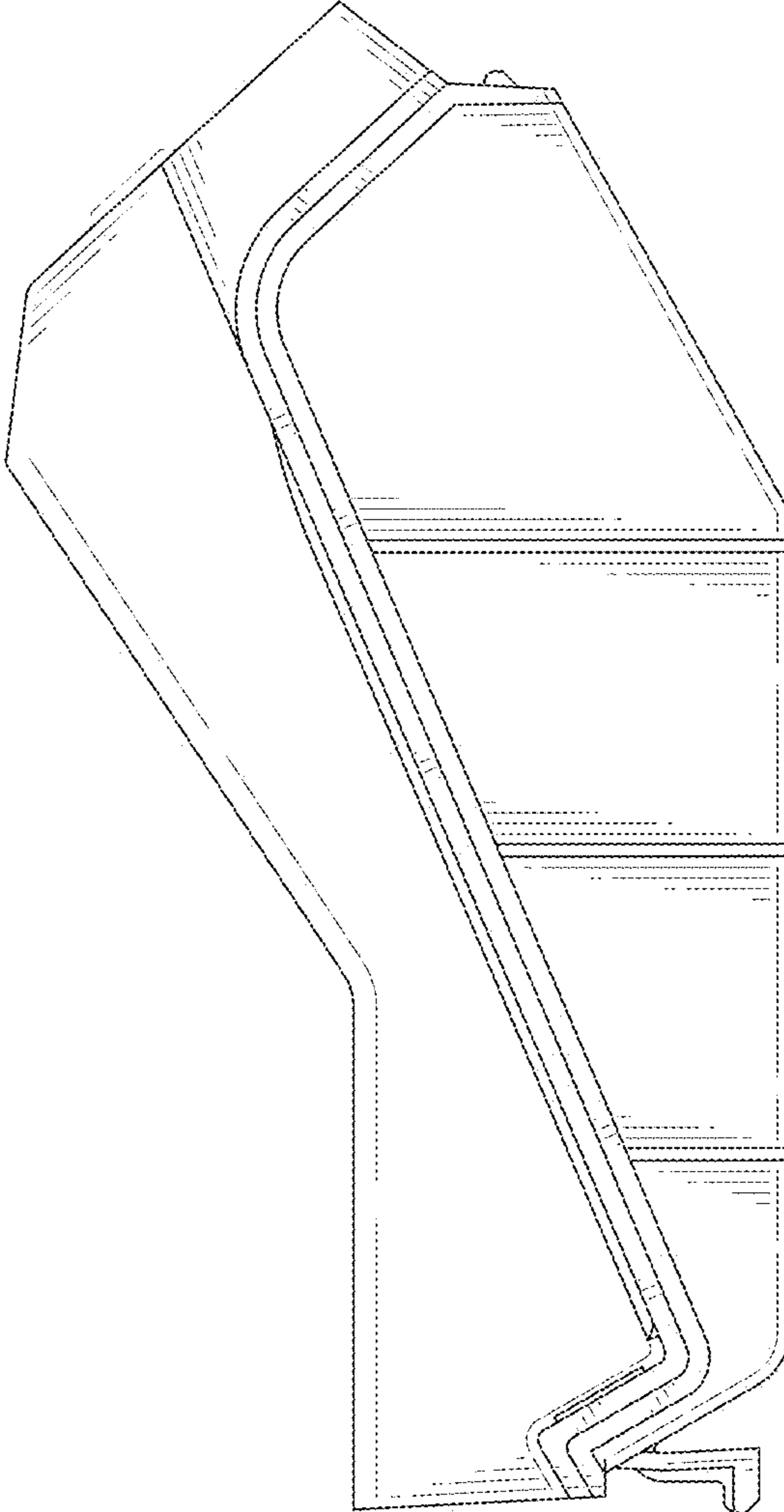


FIG. 6

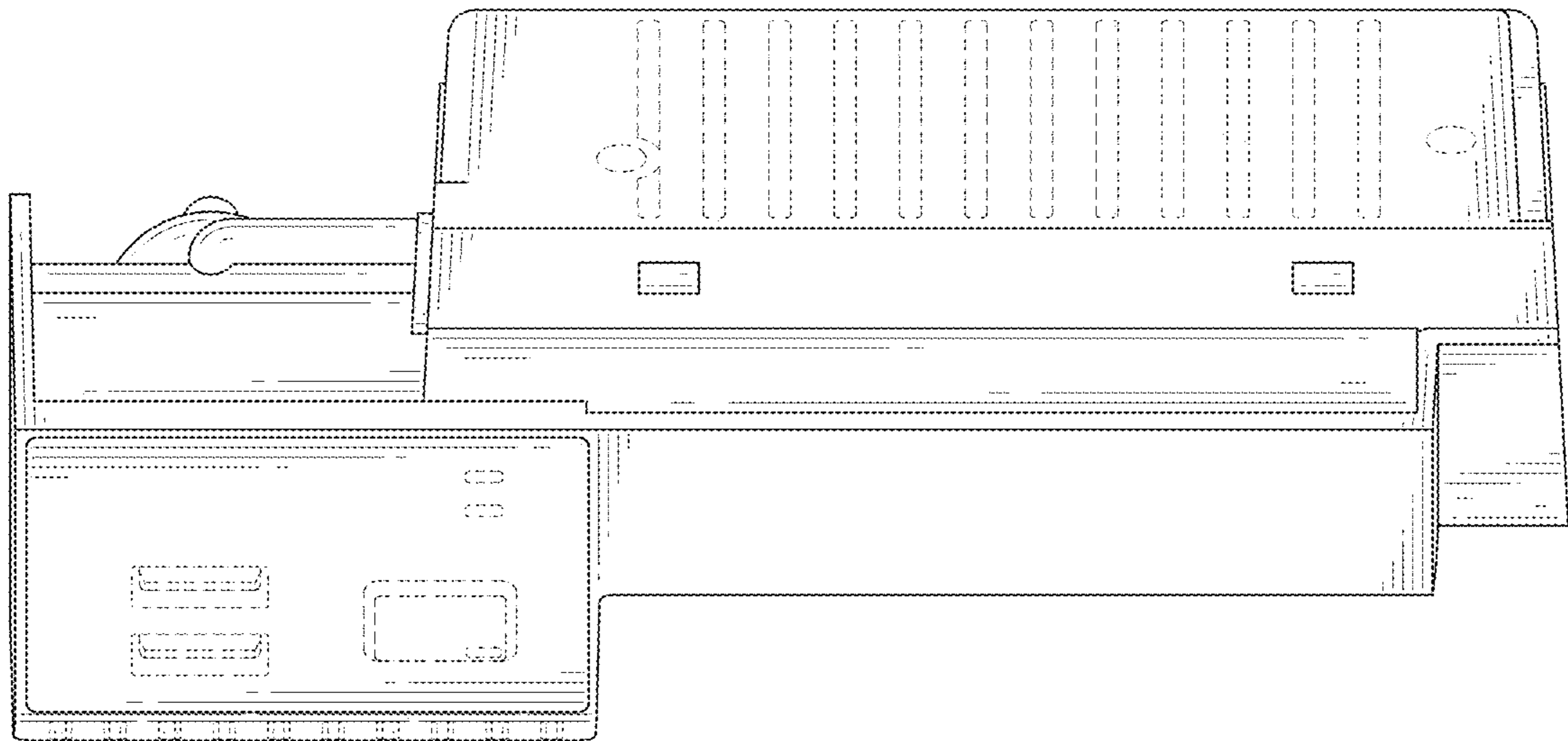


FIG. 7

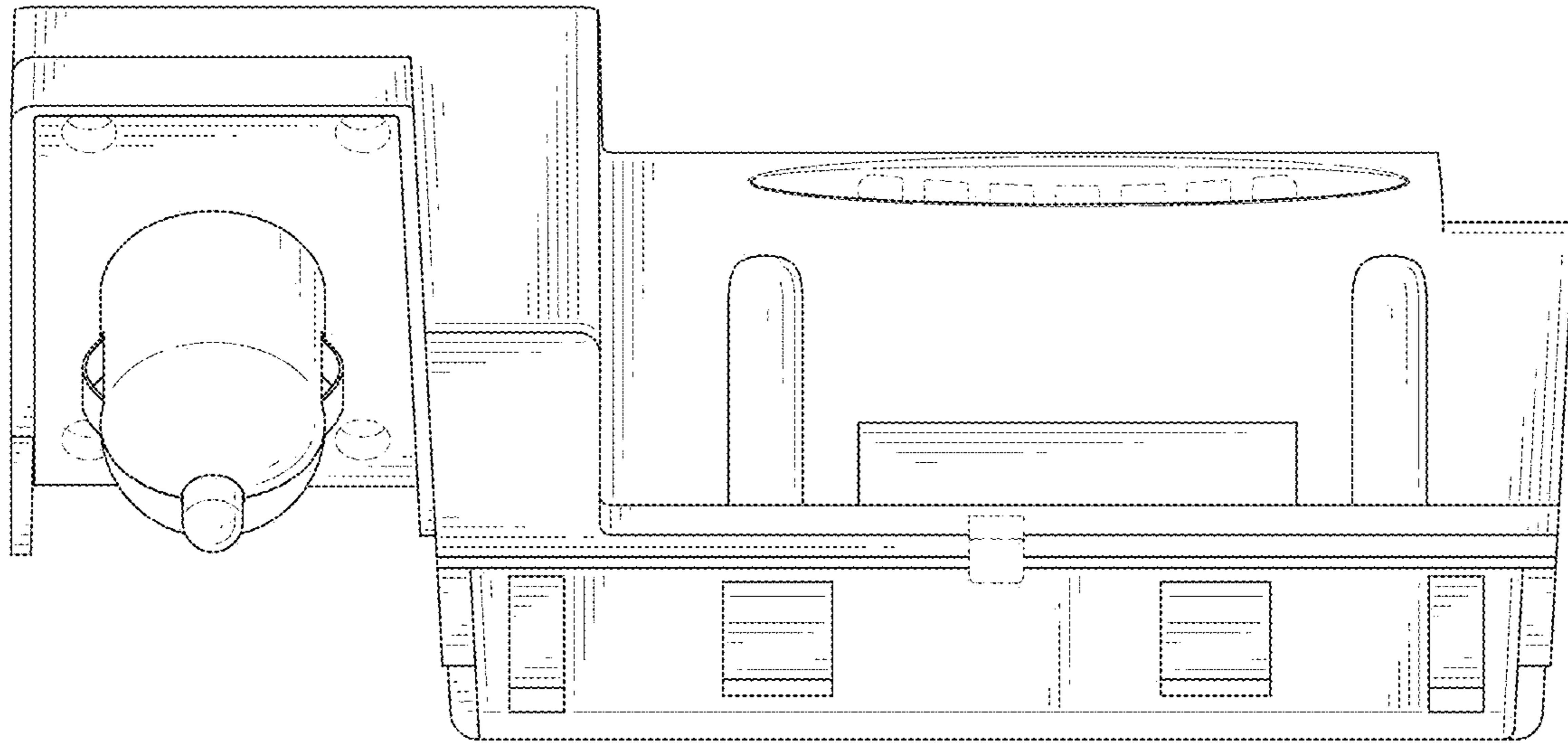


FIG. 8

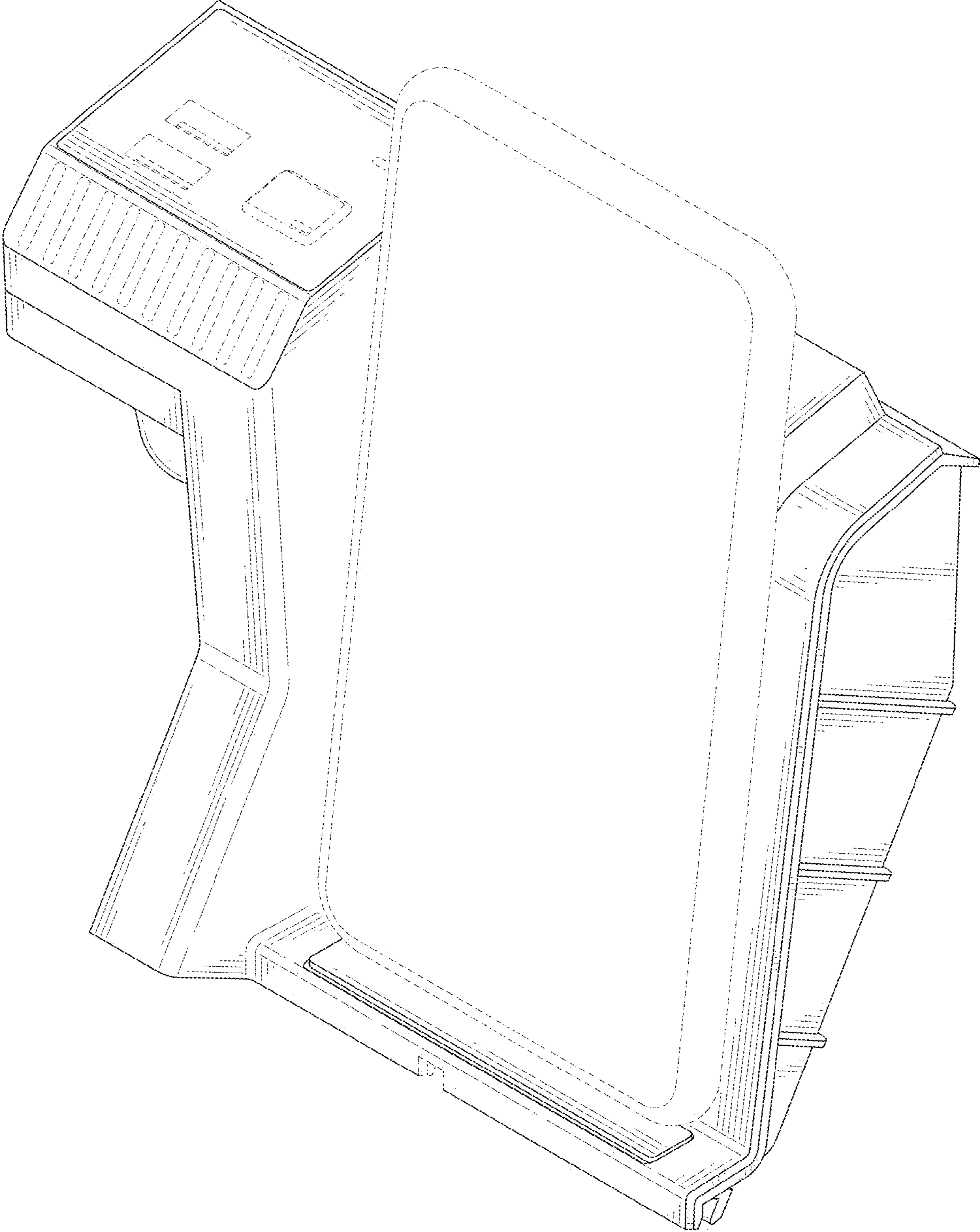


FIG. 9