



US00D873769S

(12) **United States Design Patent**
Jayasiri

(10) **Patent No.:** **US D873,769 S**

(45) **Date of Patent:** **** Jan. 28, 2020**

(54) **WIRELESS CHARGER**

(71) Applicant: **Superior Communications, Inc.**,
Irwindale, CA (US)

(72) Inventor: **Niran Jayasiri**, Hacienda Heights, CA
(US)

(73) Assignee: **SUPERIOR COMMUNICATIONS,
INC.**, Irwindale, CA (US)

(**) Term: **15 Years**

(21) Appl. No.: **29/665,853**

(22) Filed: **Oct. 8, 2018**

(51) **LOC (12) Cl.** **13-02**

(52) **U.S. Cl.**
USPC **D13/108**

(58) **Field of Classification Search**
USPC D13/107–110, 118–119, 184; D14/251,
D14/253, 432, 434
CPC Y02E 60/12; Y02T 90/14; Y02T 90/122;
Y02T 90/128; Y02T 90/163; H02J 7/025;
H02J 7/0042; H02J 7/0044; H02J 7/0045;
H02J 7/0003; H01F 38/14; H01R
13/6675; H01M 2/1022; H01M 2/1055;
H01M 10/44; H01M 10/46; H01M
10/425; B60L 11/182
See application file for complete search history.

(56) **References Cited**

U.S. PATENT DOCUMENTS

| | | | | | |
|------------|---|---------|---------|-------|---------|
| D392,940 S | * | 3/1998 | Shen | | D13/110 |
| D575,289 S | * | 8/2008 | Kuo | | D14/434 |
| D620,884 S | * | 8/2010 | Lee | | D13/108 |
| D640,248 S | * | 6/2011 | Baumann | | D14/253 |
| D661,668 S | * | 6/2012 | Rose | | D13/184 |
| D669,432 S | * | 10/2012 | Park | | D13/108 |
| D673,528 S | * | 1/2013 | Trotsky | | D14/217 |
| D693,814 S | * | 11/2013 | Park | | D14/434 |

| | | | | | |
|------------|---|---------|-----------|-------|---------|
| D697,027 S | * | 1/2014 | Ho | | D13/108 |
| D701,831 S | * | 4/2014 | Park | | D13/108 |
| D706,212 S | * | 6/2014 | Zwierstra | | D13/107 |
| D709,065 S | * | 7/2014 | Guyot | | D14/253 |
| D719,146 S | * | 12/2014 | Herbst | | D14/253 |
| D723,021 S | * | 2/2015 | Guyot | | D14/253 |
| D746,807 S | * | 1/2016 | McGarry | | D14/253 |
| D748,575 S | * | 2/2016 | Bulgarov | | D13/108 |
| D758,304 S | * | 6/2016 | Wright | | D13/107 |
| D763,244 S | * | 8/2016 | McGarry | | D14/253 |
| D764,406 S | * | 8/2016 | Uchida | | D13/108 |
| D771,614 S | * | 11/2016 | Chang | | D14/253 |
| D774,455 S | * | 12/2016 | Kim | | D13/108 |
| D777,103 S | * | 1/2017 | Park | | D13/108 |
| D780,136 S | * | 2/2017 | Chudoba | | D13/184 |
| D784,317 S | * | 4/2017 | Mecchella | | D14/253 |
| D789,295 S | * | 6/2017 | Nuk | | D13/108 |
| D789,373 S | * | 6/2017 | King | | D14/413 |
| D789,374 S | * | 6/2017 | King | | D14/413 |
| D791,700 S | * | 7/2017 | Loewen | | D13/108 |

(Continued)

Primary Examiner — Rosemary K Tarcza

(74) *Attorney, Agent, or Firm* — Snell & Wilmer LLP

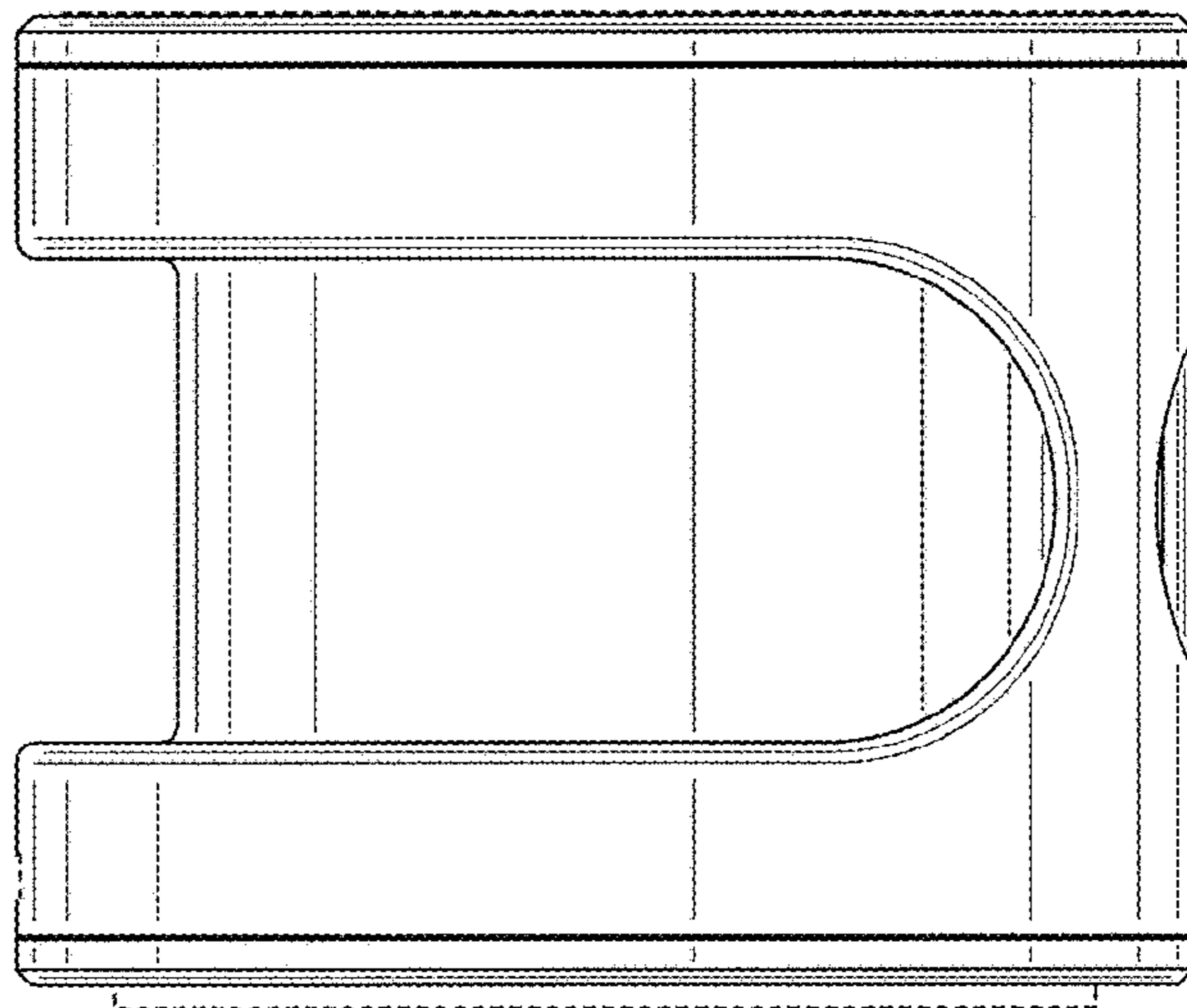
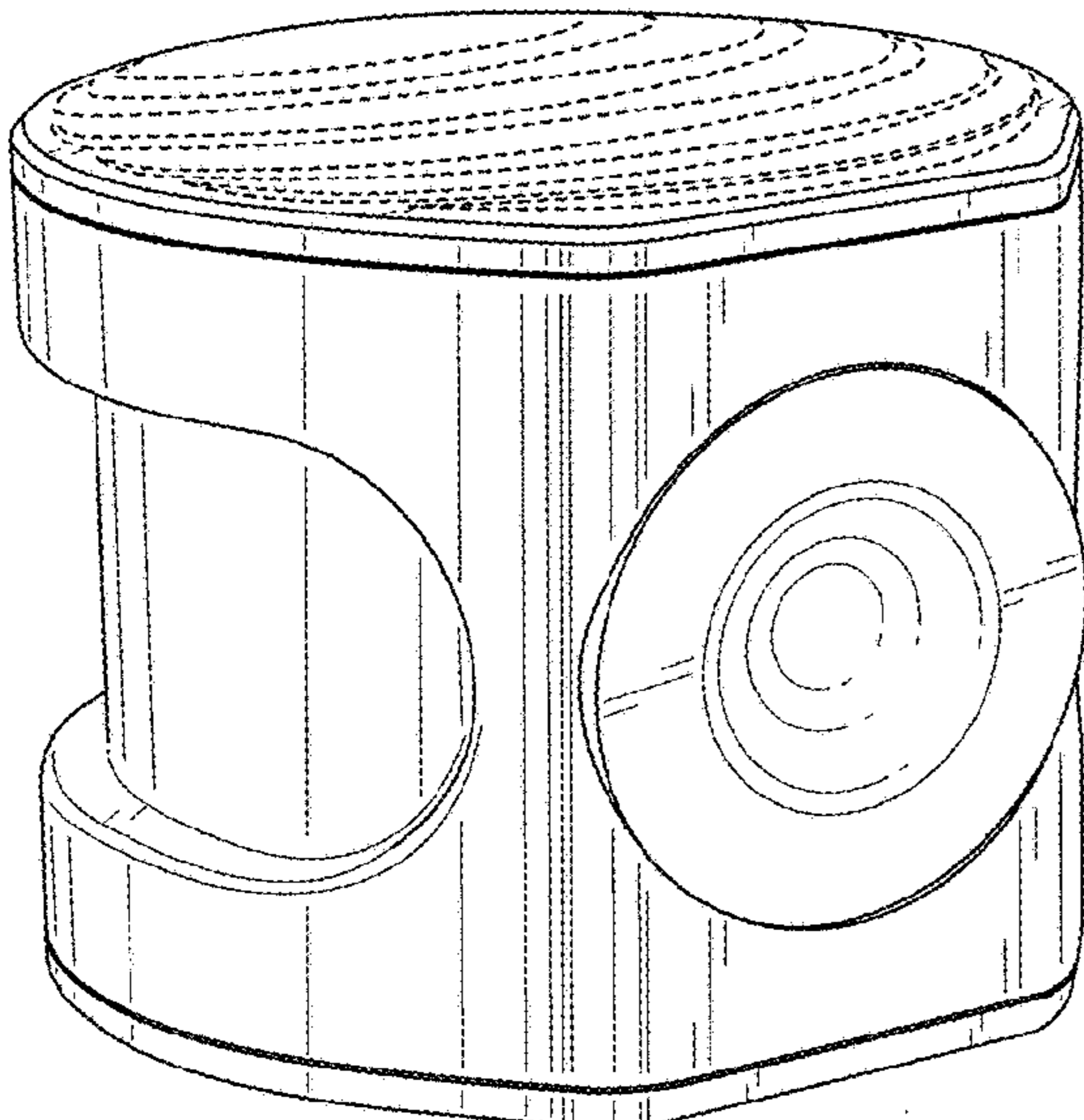
(57) **CLAIM**

The ornamental design for a wireless charger, as shown and described.

DESCRIPTION

FIG. 1 is a front perspective view of a wireless charger showing my new design;
FIG. 2 is a front view thereof;
FIG. 3 is a rear view thereof;
FIG. 4 is a left side view thereof;
FIG. 5 is a right side view thereof;
FIG. 6 is a top view thereof; and,
FIG. 7 is a bottom view thereof.
The broken lines shown in FIGS. 1 through 7 illustrate portions of the wireless charger which form no part of the claimed design.

1 Claim, 7 Drawing Sheets



(56)

References Cited

U.S. PATENT DOCUMENTS

| | | | | |
|--------------|------|---------|-----------------|-----------------------|
| D794,557 | S * | 8/2017 | Kim | D13/108 |
| D797,667 | S * | 9/2017 | Park | D13/108 |
| D797,668 | S * | 9/2017 | Park | D13/108 |
| D800,060 | S * | 10/2017 | Solland | D13/108 |
| D810,015 | S * | 2/2018 | Carreon | D13/108 |
| D812,003 | S * | 3/2018 | Lee | D13/110 |
| D812,004 | S * | 3/2018 | Lee | D13/110 |
| D815,034 | S * | 4/2018 | Zhao | D13/107 |
| D816,030 | S * | 4/2018 | Sumida | D13/108 |
| D832,264 | S * | 10/2018 | Kim | D14/434 |
| D841,578 | S * | 2/2019 | Kim | D13/108 |
| D844,009 | S * | 3/2019 | Kim | D14/434 |
| D844,698 | S * | 4/2019 | Isaacs | D18/12 |
| D851,036 | S * | 6/2019 | Saangloef | D13/108 |
| D853,326 | S * | 7/2019 | Jun | D13/108 |
| D855,567 | S * | 8/2019 | Cai | D13/108 |
| D857,625 | S * | 8/2019 | Cao | D13/108 |
| 2009/0102419 | A1 * | 4/2009 | Gwon | H02J 7/025 320/108 |

* cited by examiner

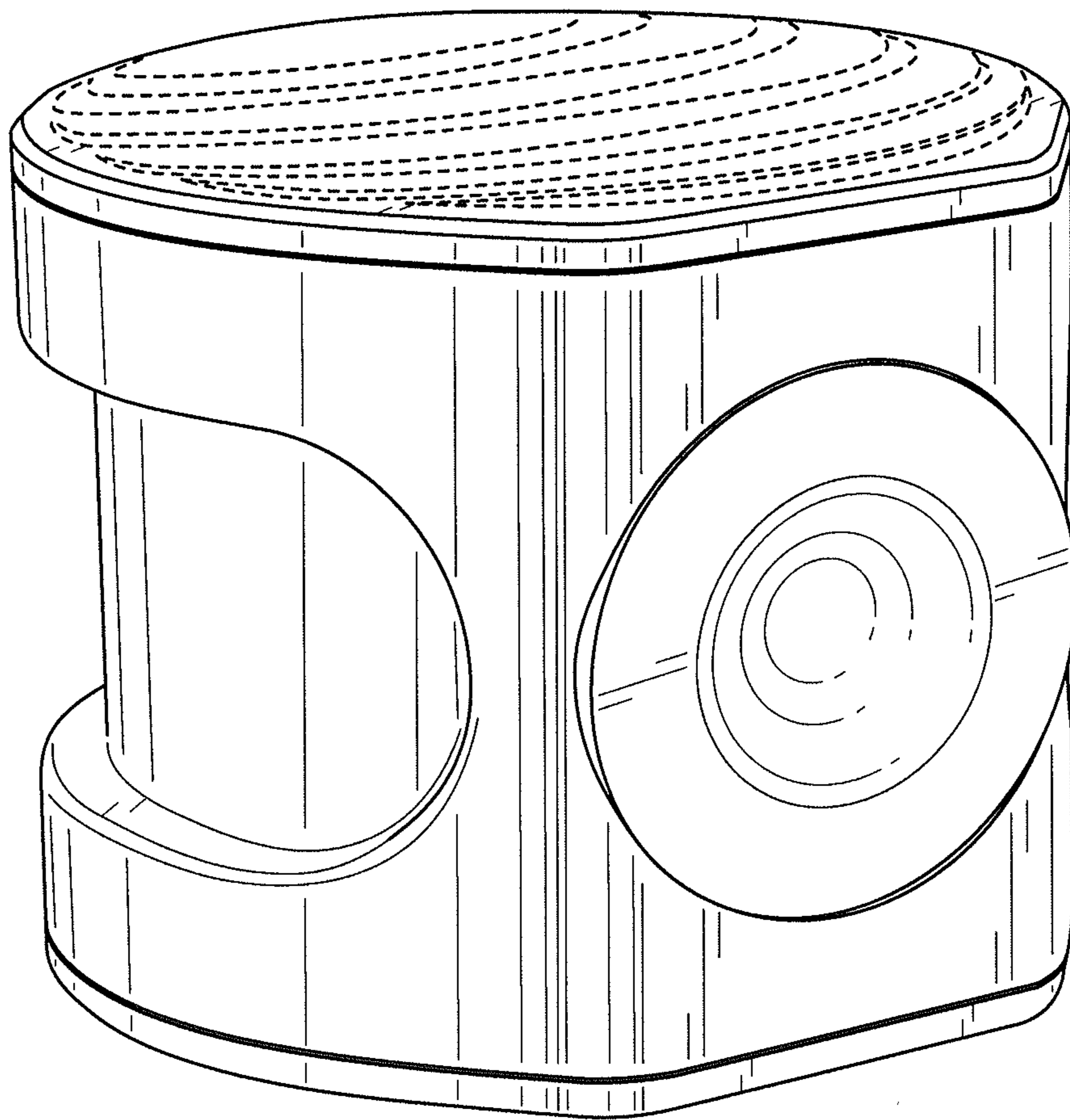


FIG. 1

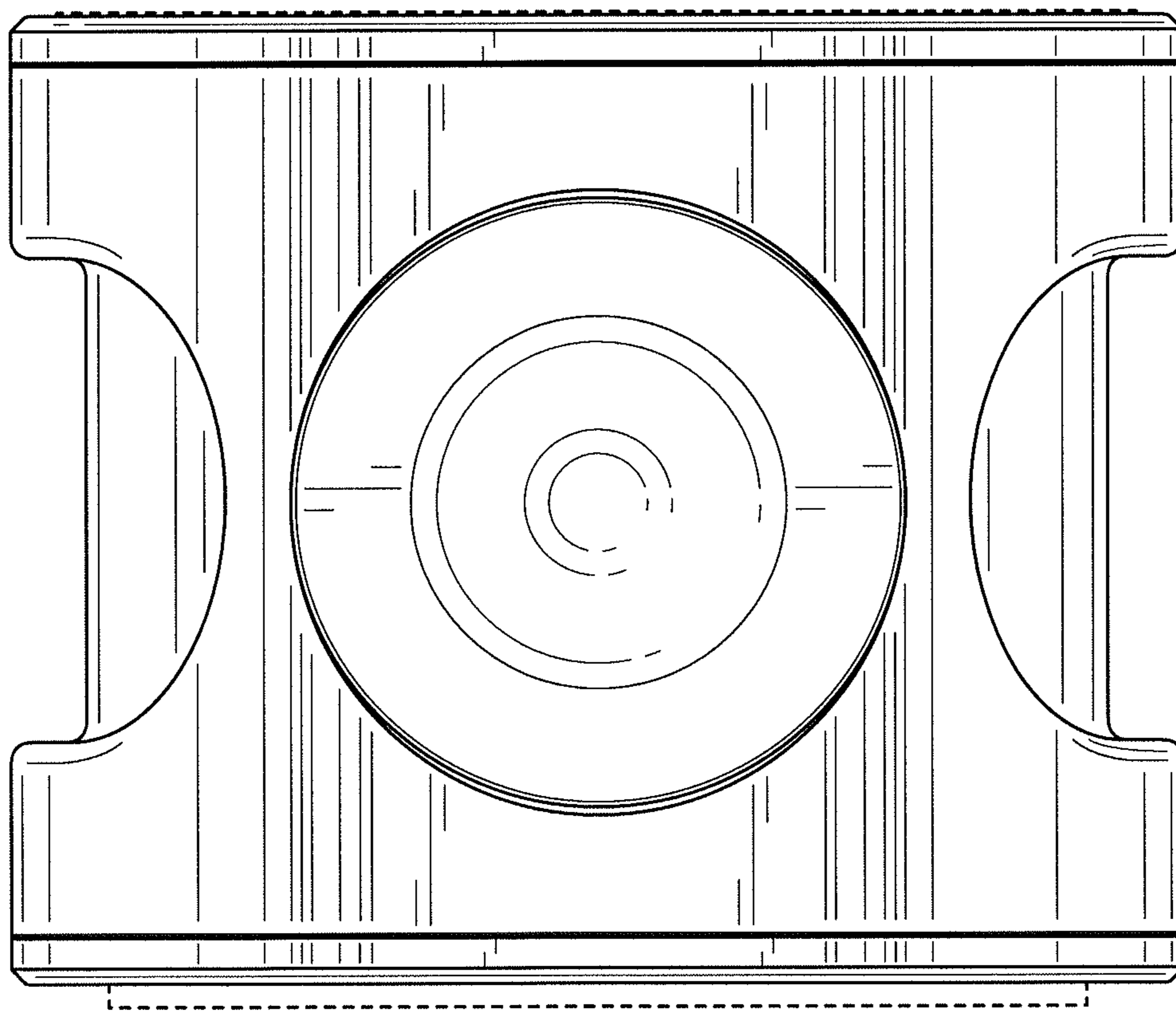


FIG. 2

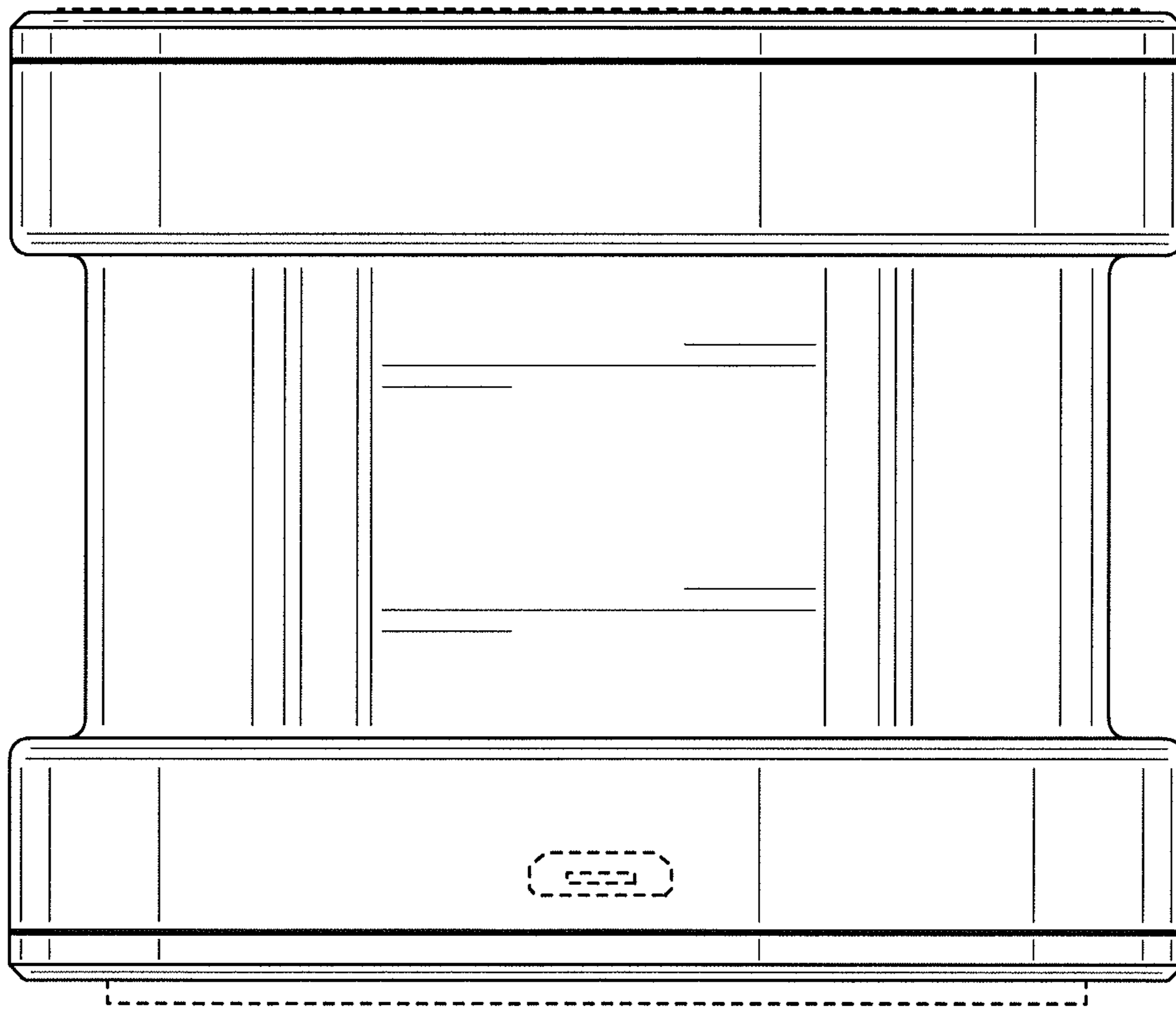


FIG. 3

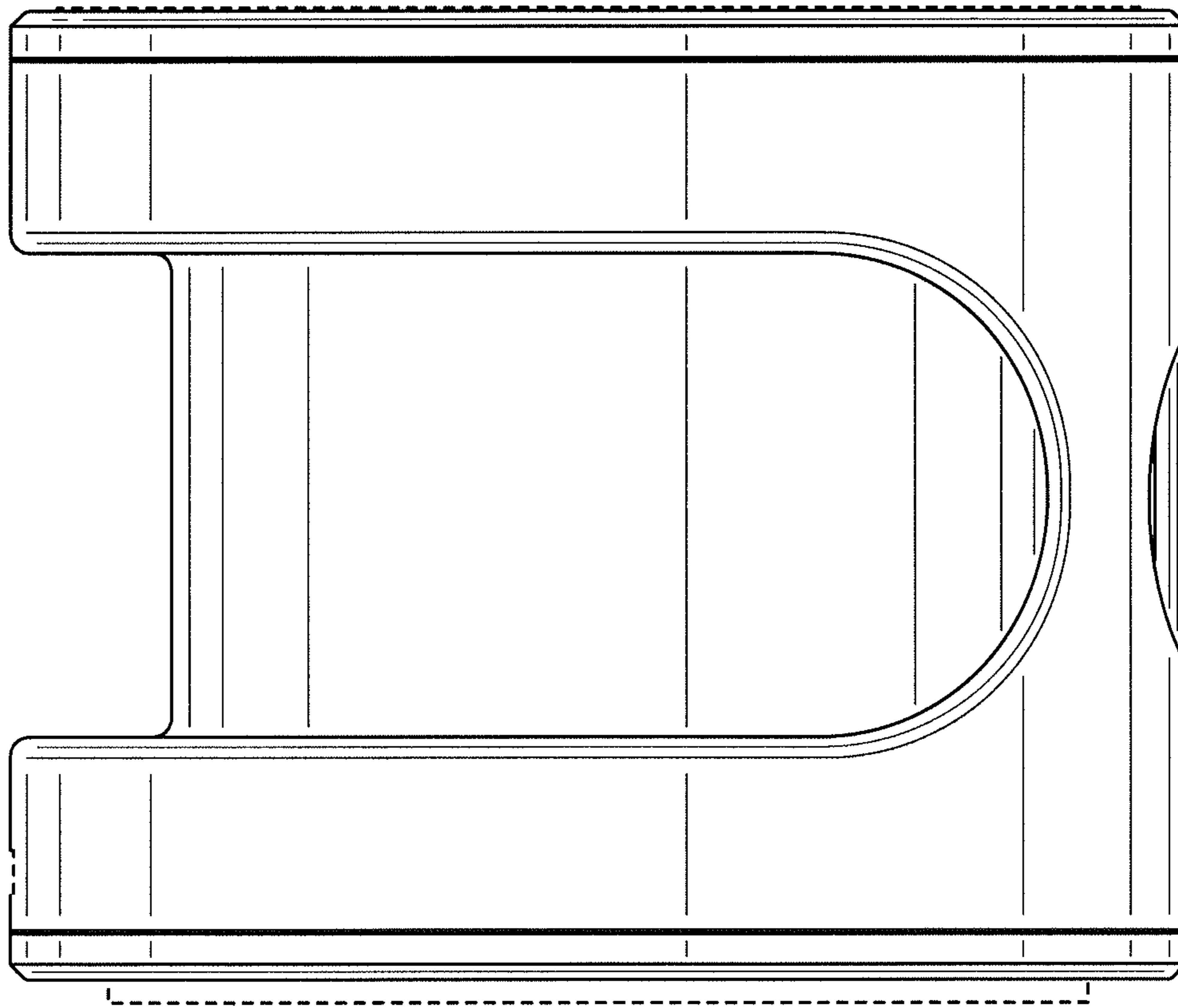


FIG. 4

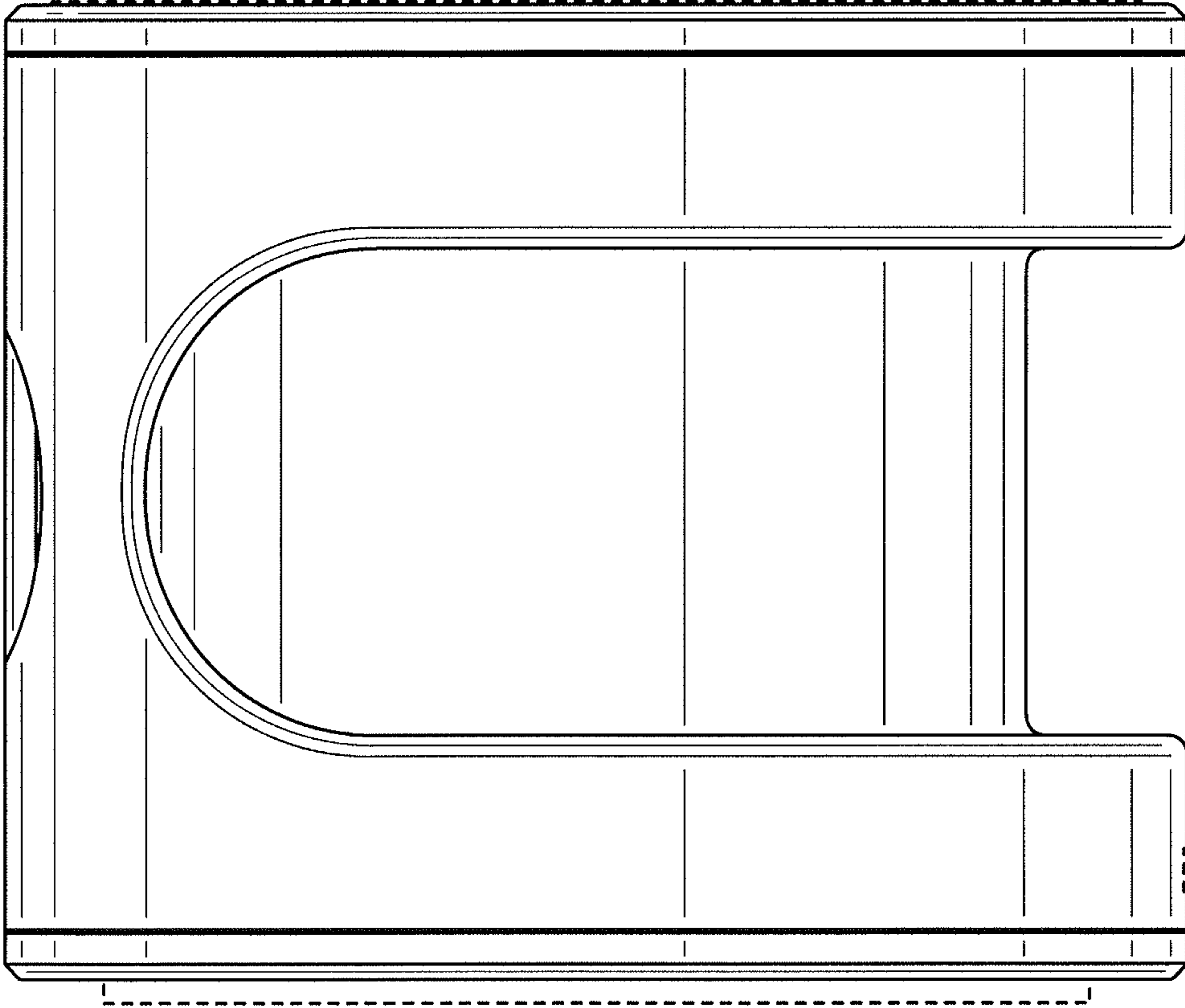


FIG. 5

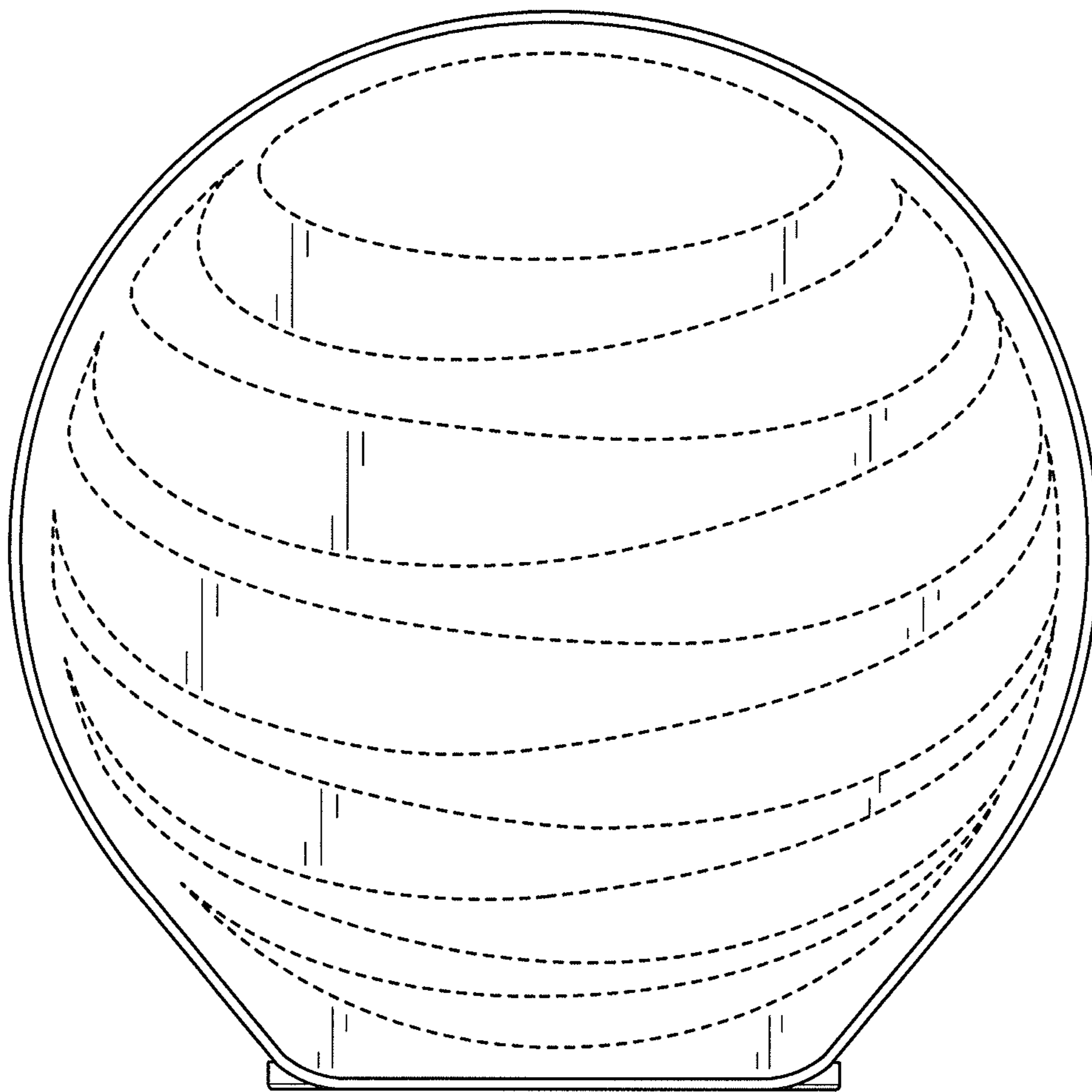


FIG. 6

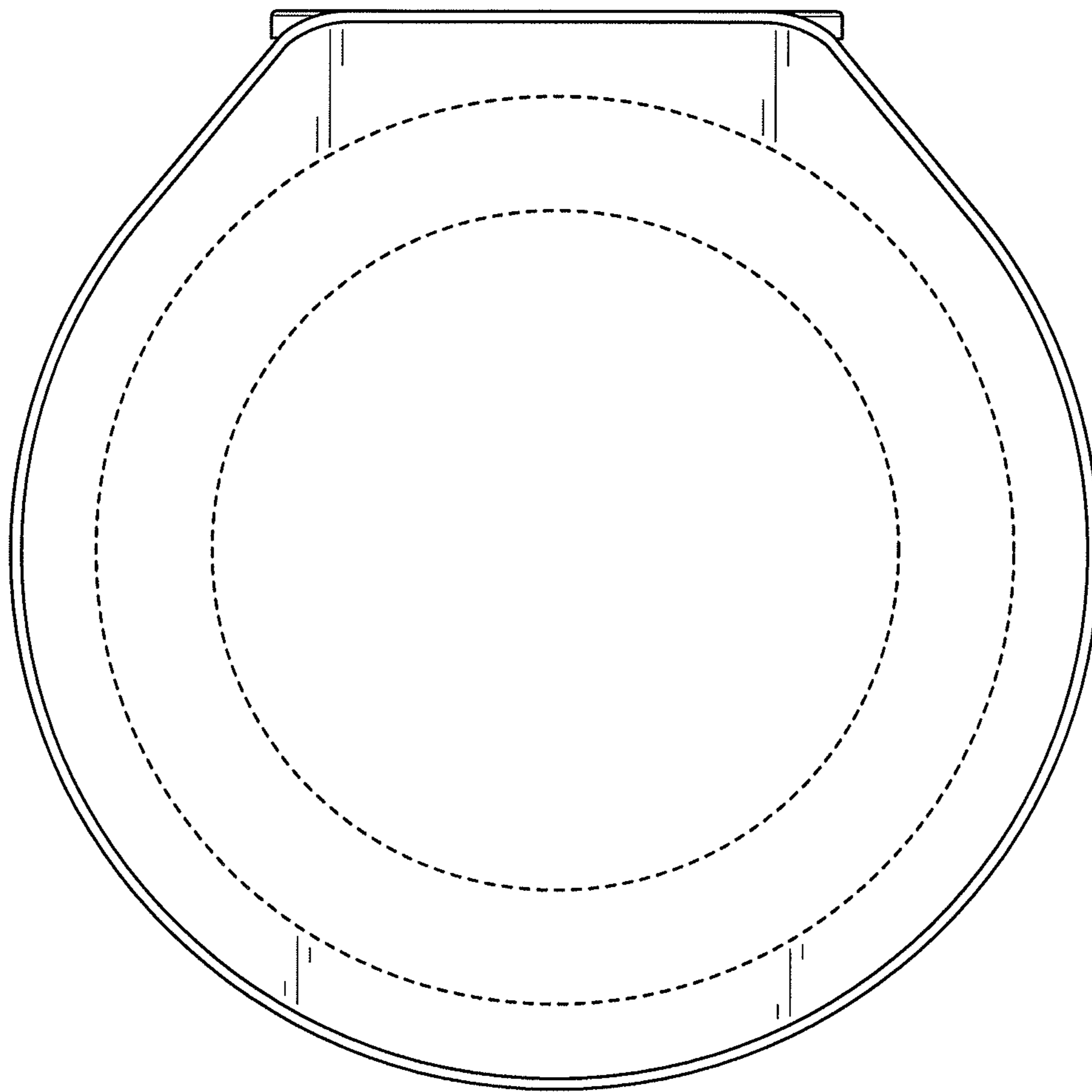


FIG. 7