



US00D873767S

(12) **United States Design Patent**
Rao

(10) **Patent No.:** **US D873,767 S**

(45) **Date of Patent:** **** Jan. 28, 2020**

(54) **POWER SUPPLY**

(71) Applicant: **Shenzhen Global Egrow E-Commerce Co., LTD**, Shenzhen (CN)

(72) Inventor: **Zhiwen Rao**, Jiangxi (CN)

(73) Assignee: **Shenzhen Global Egrow E-Commerce Co., LTD**, Shenzhen (CN)

(**) Term: **15 Years**

(21) Appl. No.: **29/656,672**

(22) Filed: **Jul. 16, 2018**

(30) **Foreign Application Priority Data**

Apr. 28, 2018 (CN) 2018 3 0189372

(51) **LOC (12) Cl.** **13-02**

(52) **U.S. Cl.**
USPC **D13/107**

(58) **Field of Classification Search**
USPC D13/103-104, 106-110, 118-119, 184,
D13/199; D14/251, 253, 432, 434;
D15/9

CPC Y02E 60/10; Y02E 60/12; Y02E 60/122;
Y02E 60/124; Y02E 60/50; H02J 7/00;
H02J 7/0003; H02J 7/0011; H02J 7/0013;
H02J 7/0034; H02J 7/0054; H02J 7/0055;
H02J 7/0057; H02J 7/1423; H02J
2001/006; H01M 10/44; H01M 10/46;
H01M 10/465; H01M 10/482; H01M
2/02; H01M 2/022; H01M 2/0202; H01M
2/0207; H01M 2/0212; H01M 2/1061;
H01M 2/1022; H01M 2/1055; H01M
2/1066; H01M 2/105; H01M 2/20; H01M
2/202; H01M 2/204; H01M 2/206; H01M
2200/30; H01M 2250/30; H01M 2250/40;
Y02T 10/7005; Y02T 10/705; Y02T
10/7088

See application file for complete search history.

(56) **References Cited**

U.S. PATENT DOCUMENTS

D506,723 S *	6/2005	Krieger	D13/107
D506,724 S *	6/2005	Hriscu	D13/107
D508,675 S *	8/2005	Krieger	D13/107
D511,491 S *	11/2005	Hriscu	D13/107
D527,342 S *	8/2006	Krieger	D13/107
D530,271 S *	10/2006	Hriscu	D13/107
D549,170 S *	8/2007	Yen	D13/107
D585,822 S *	2/2009	Hsu	D13/107
D664,499 S *	7/2012	Workman	D13/107
D706,710 S *	6/2014	Inskeep	D13/107
D811,324 S *	2/2018	Inskeep	D13/107
D813,161 S *	3/2018	Ortakales	D13/110
D815,039 S *	4/2018	Wen	D13/110

(Continued)

Primary Examiner — Rosemary K Tarcza

(74) *Attorney, Agent, or Firm* — JCIPRNET

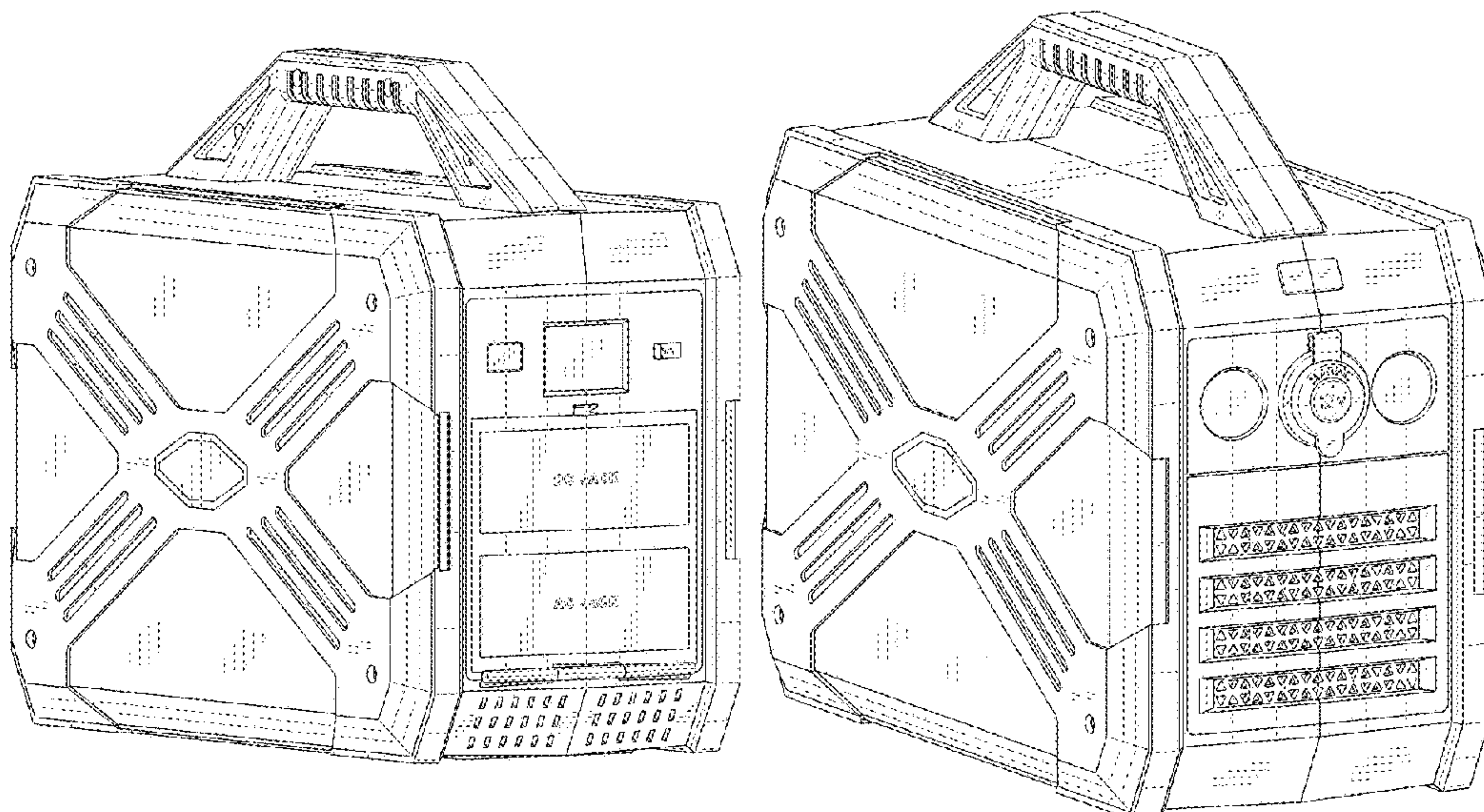
(57) **CLAIM**

The ornamental design for a power supply, as shown and described.

DESCRIPTION

FIG. 1 is a perspective view of a power supply showing my new design;
FIG. 2 is another perspective view thereof;
FIG. 3 is a front view thereof;
FIG. 4 is a rear view thereof;
FIG. 5 is a left side view thereof;
FIG. 6 is a right side view thereof;
FIG. 7 is a top view thereof;
FIG. 8 is a bottom view thereof; and,
FIG. 9 is another perspective view thereof showing the power supply in a state of use, wherein the cover at the right side of the power supply is opened.
The broken lines shown in the drawings represent portions of the power supply that form no part of the claimed design.

1 Claim, 8 Drawing Sheets



(56)

References Cited

U.S. PATENT DOCUMENTS

D821,313 S *	6/2018	Yang	D13/110
D823,789 S *	7/2018	Yang	D13/107
D825,457 S *	8/2018	Yang	D13/107
D856,924 S *	8/2019	Yang	D13/108

* cited by examiner

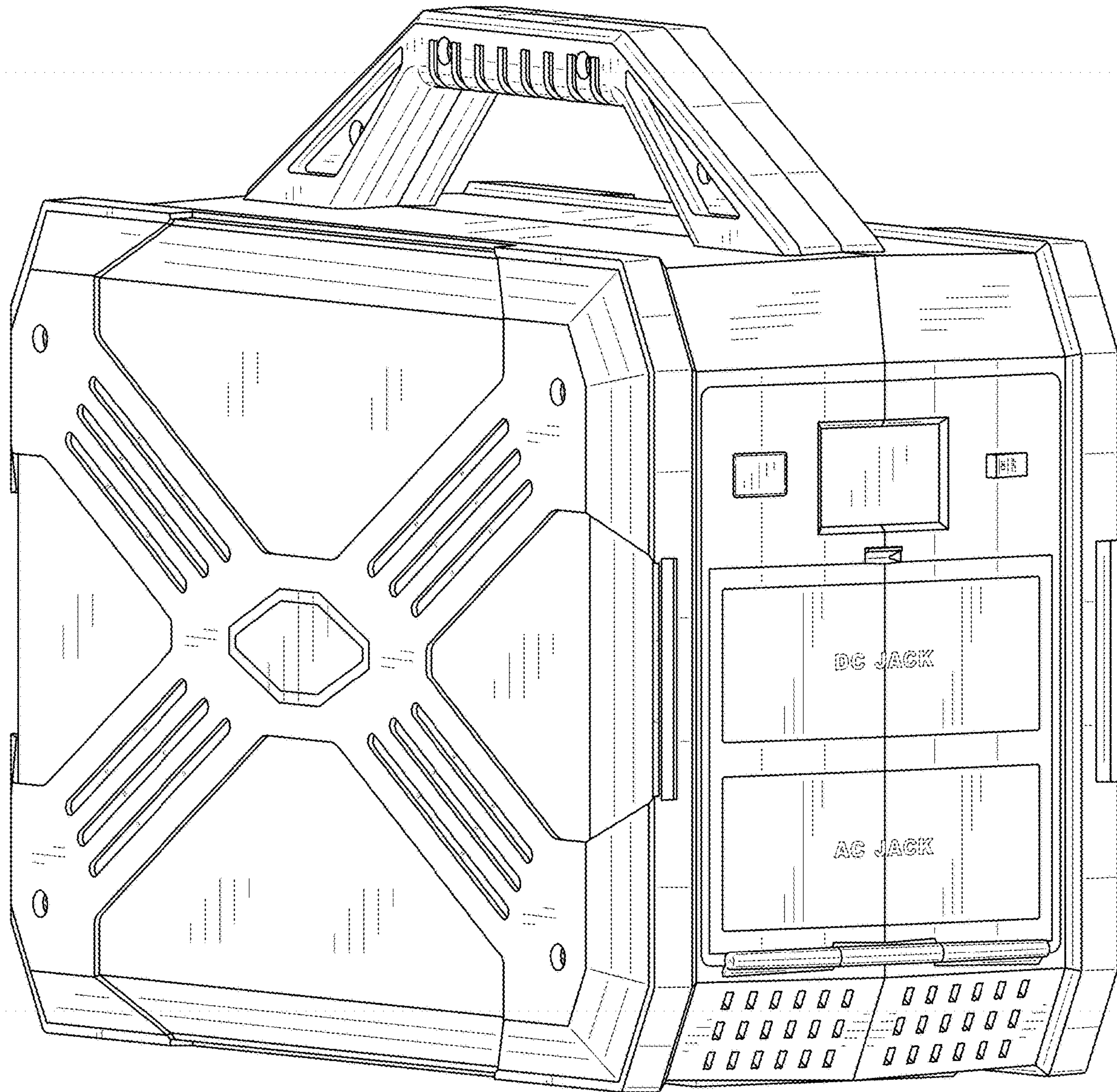


FIG. 1

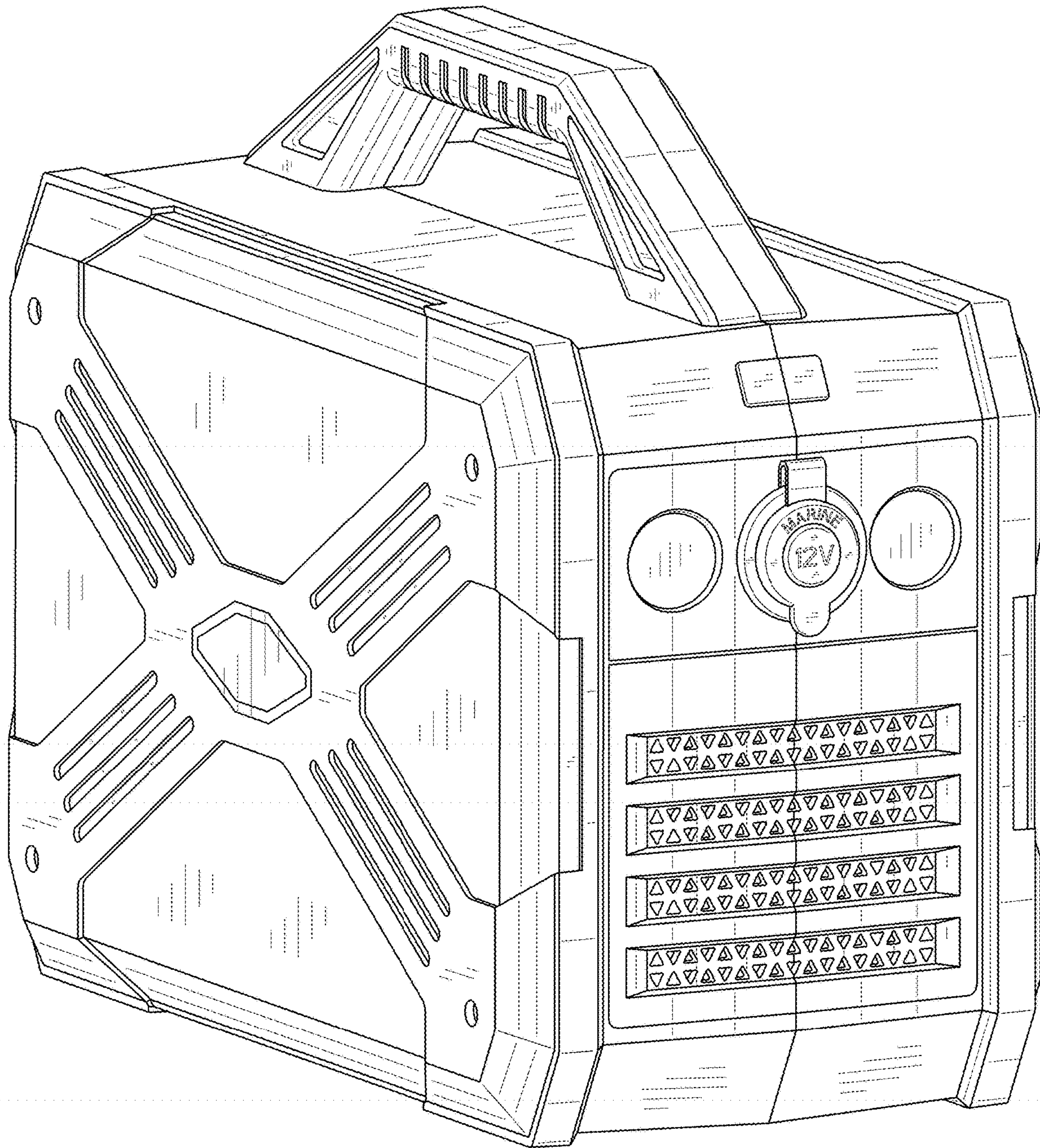


FIG. 2

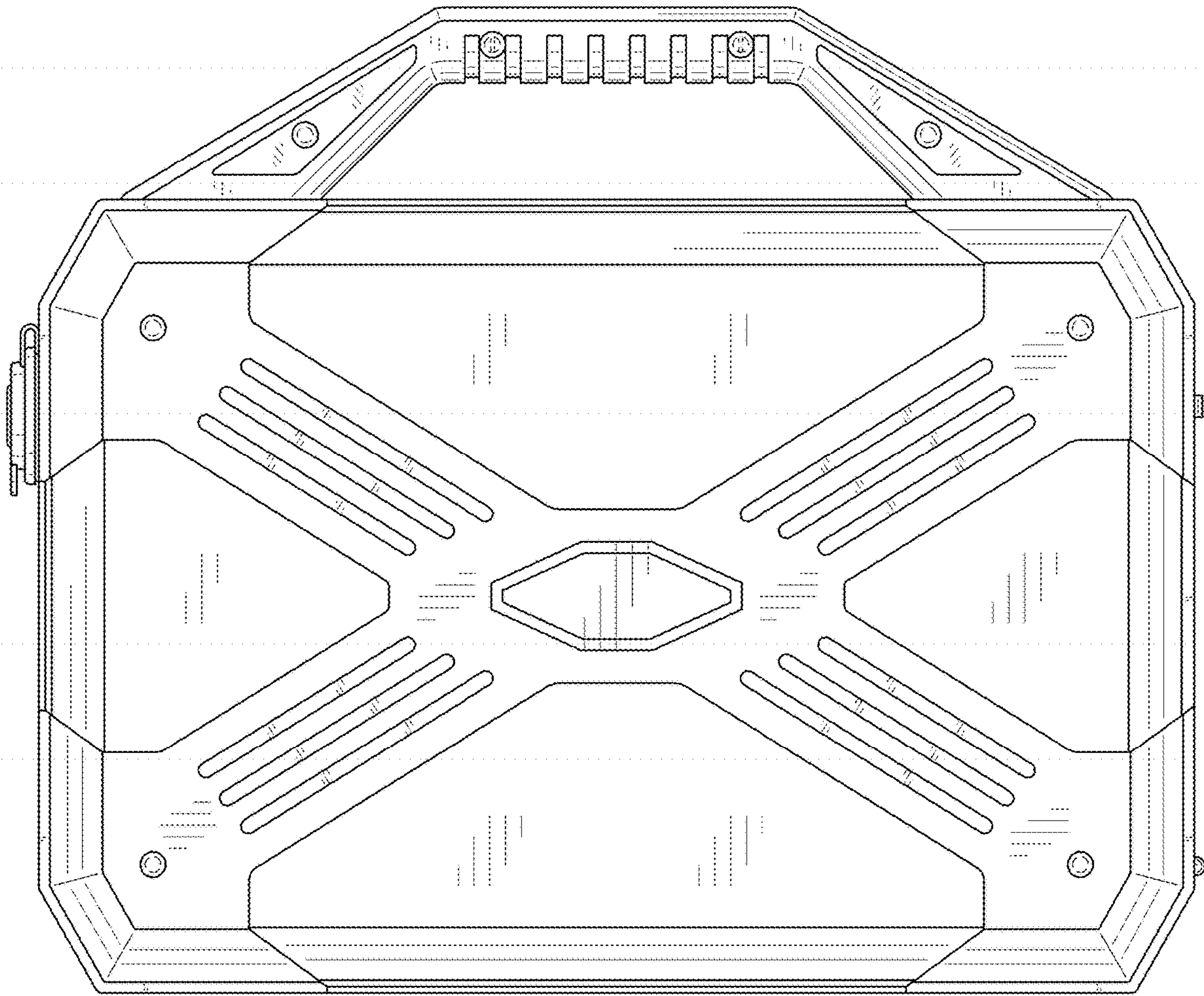


FIG. 3

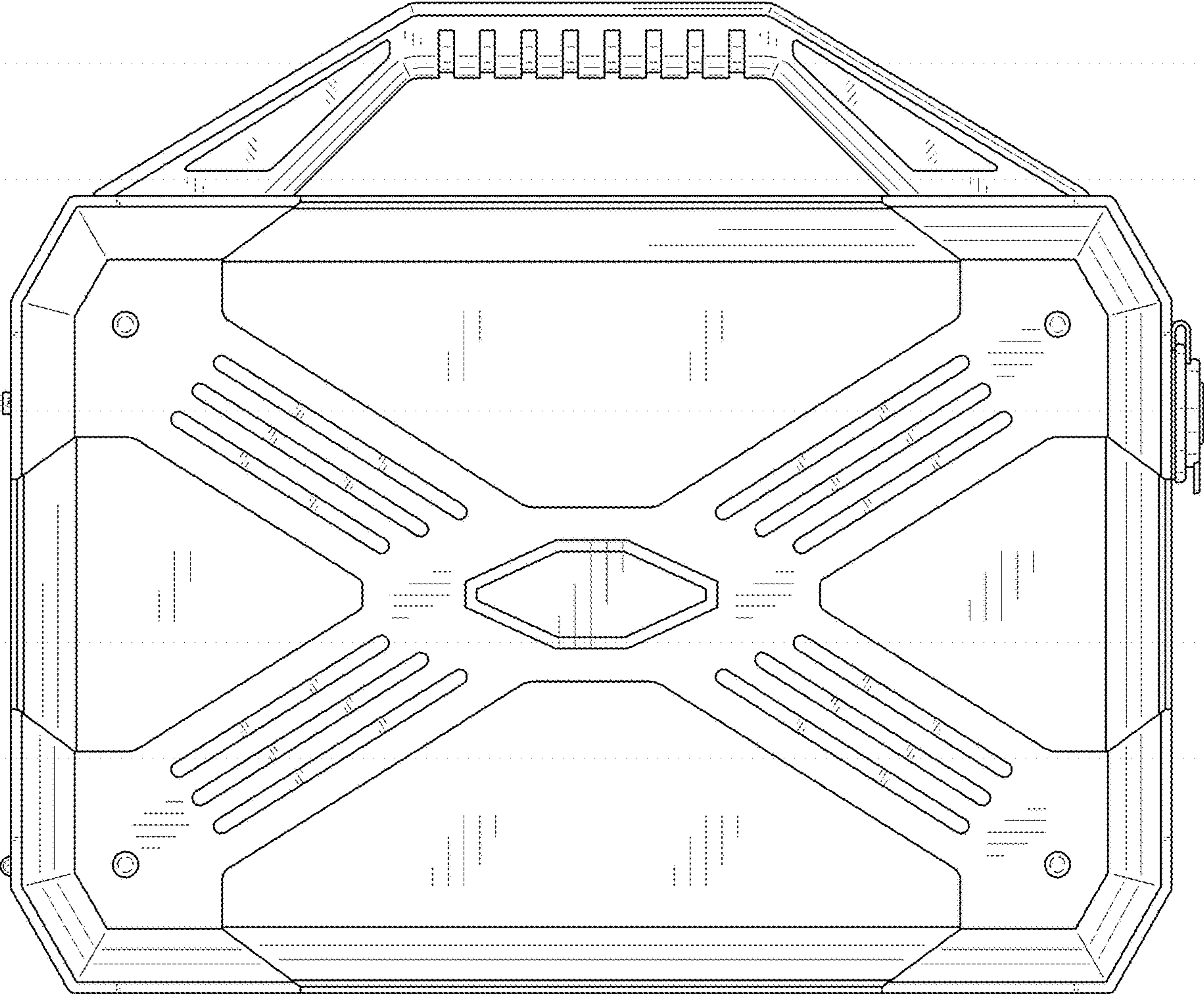


FIG. 4

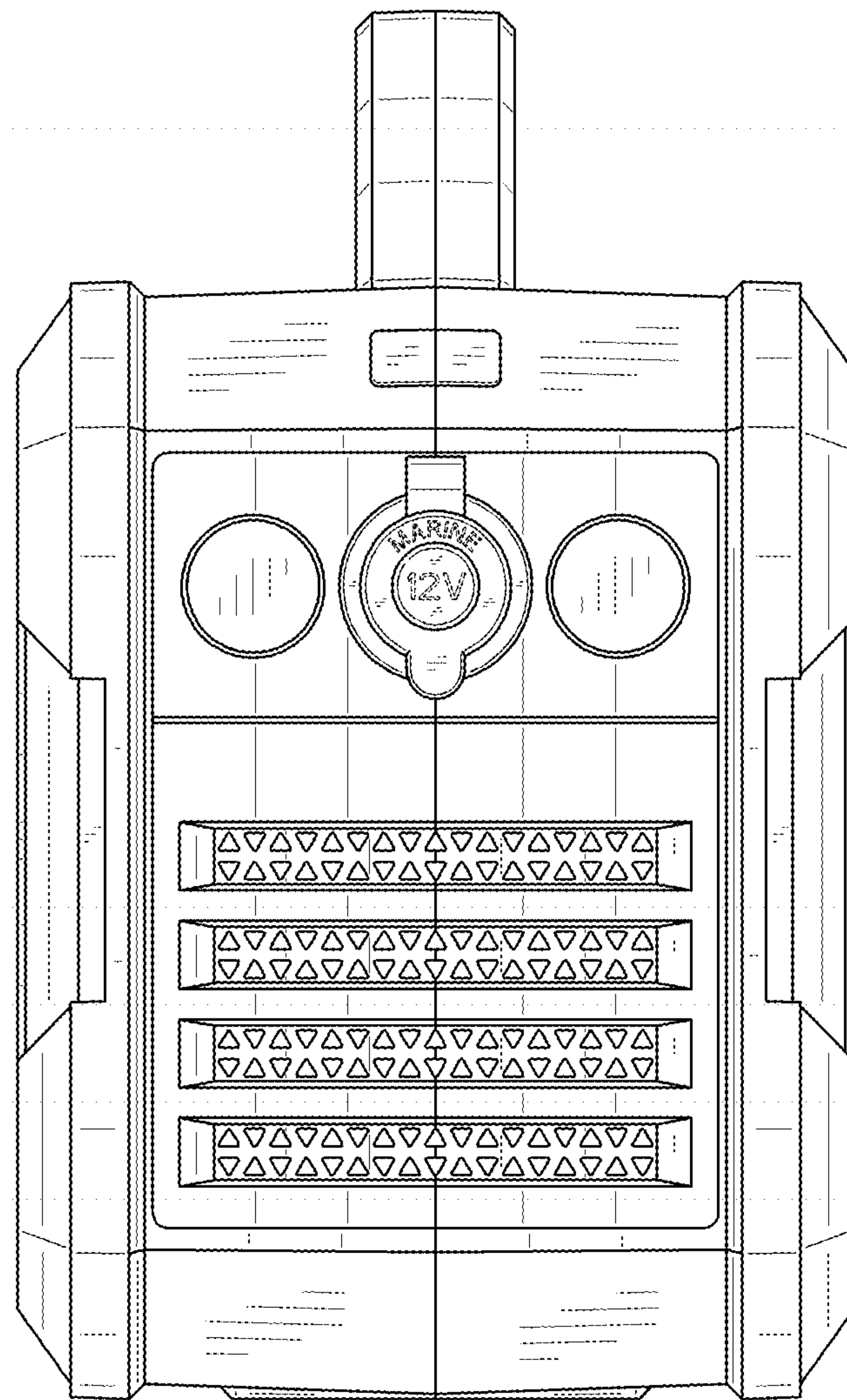


FIG. 5

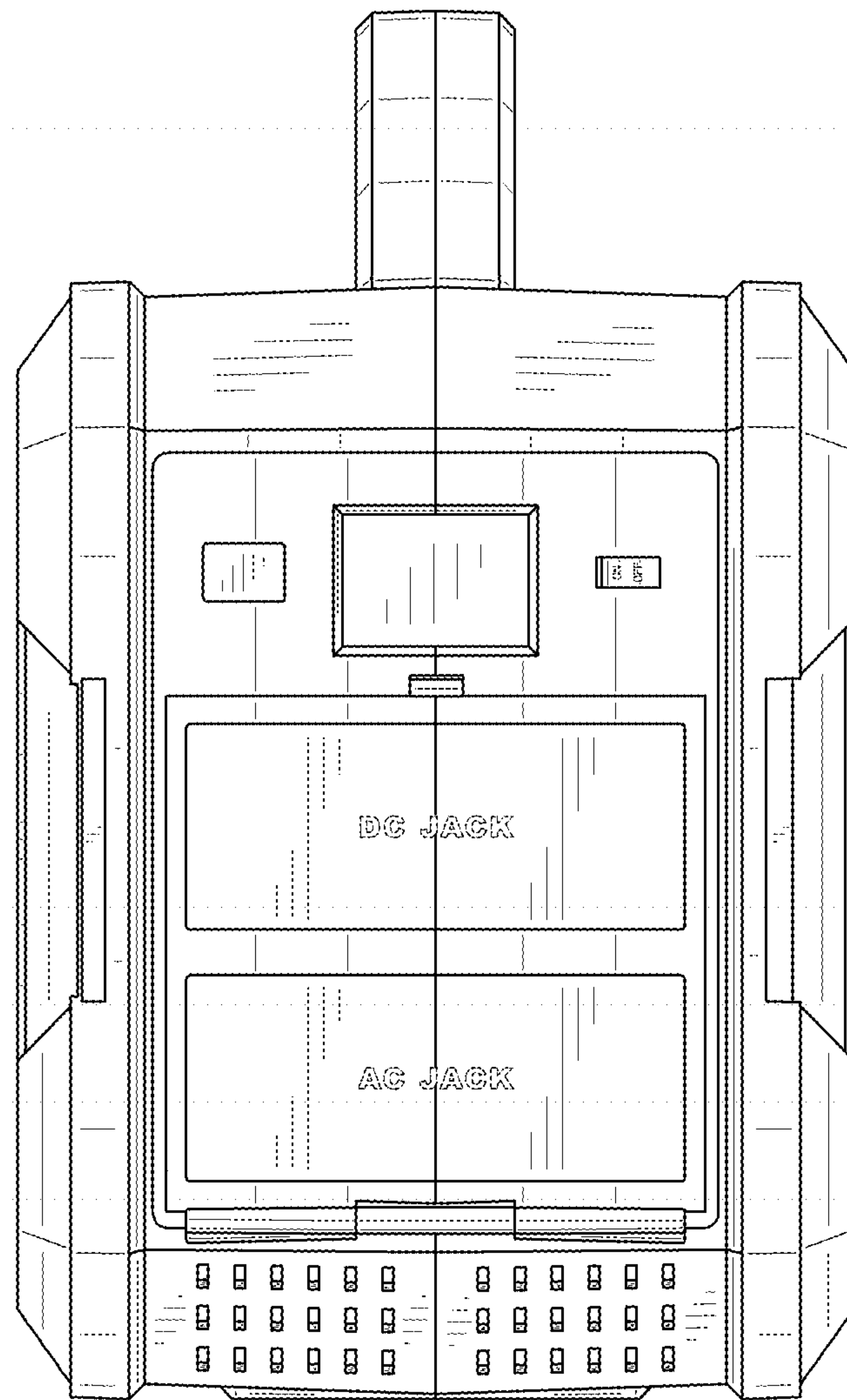


FIG. 6

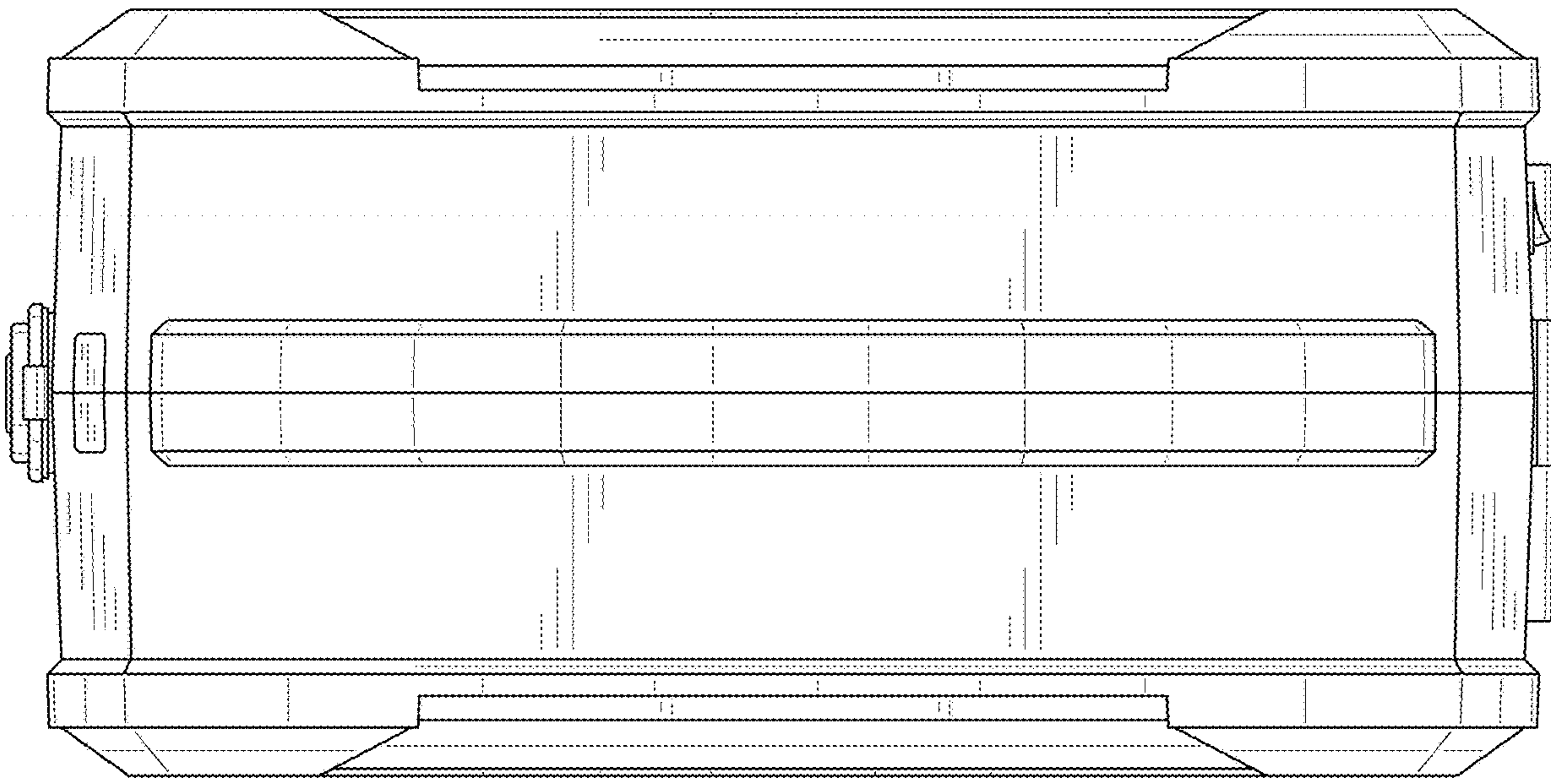


FIG. 7

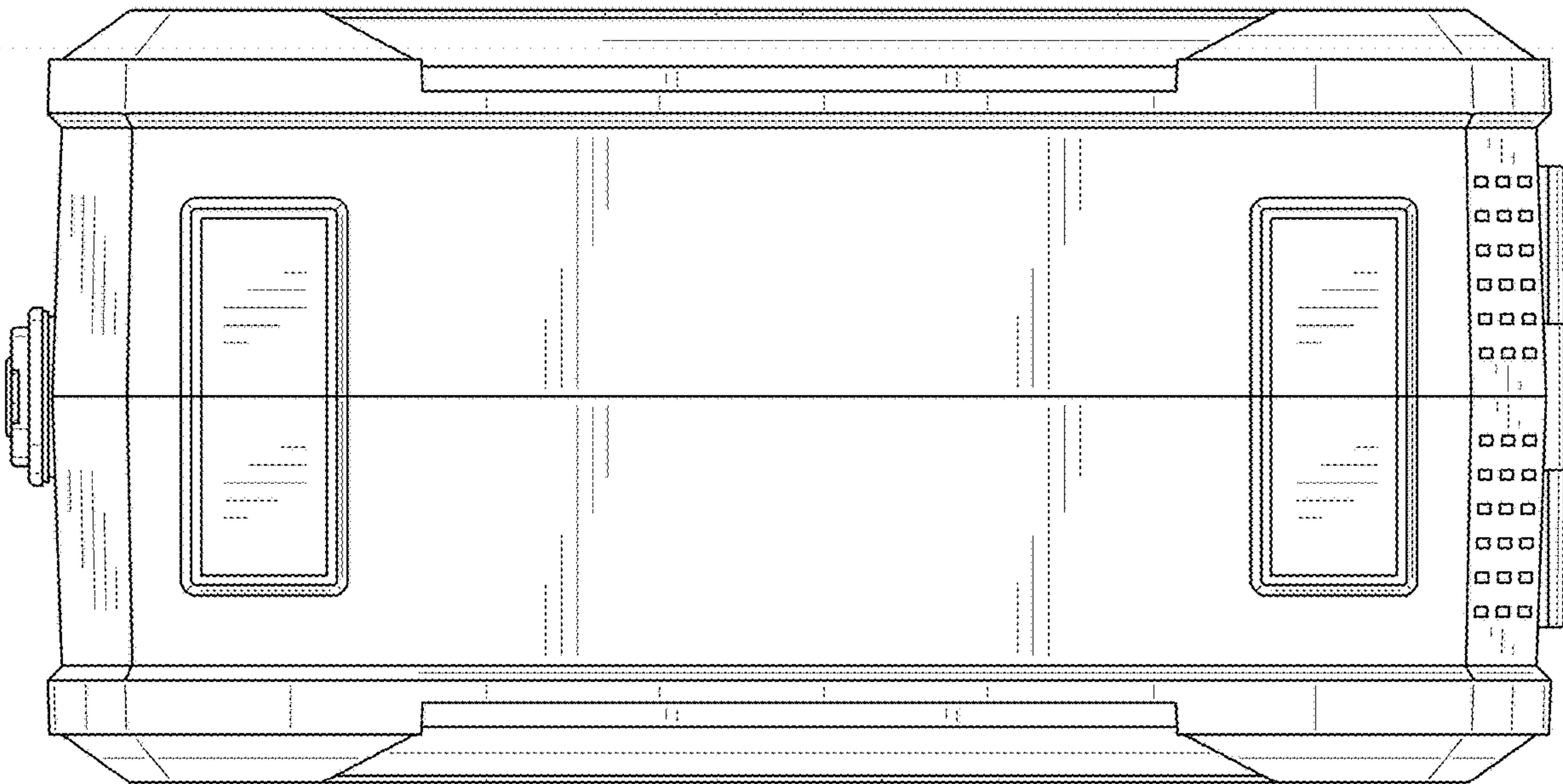


FIG. 8

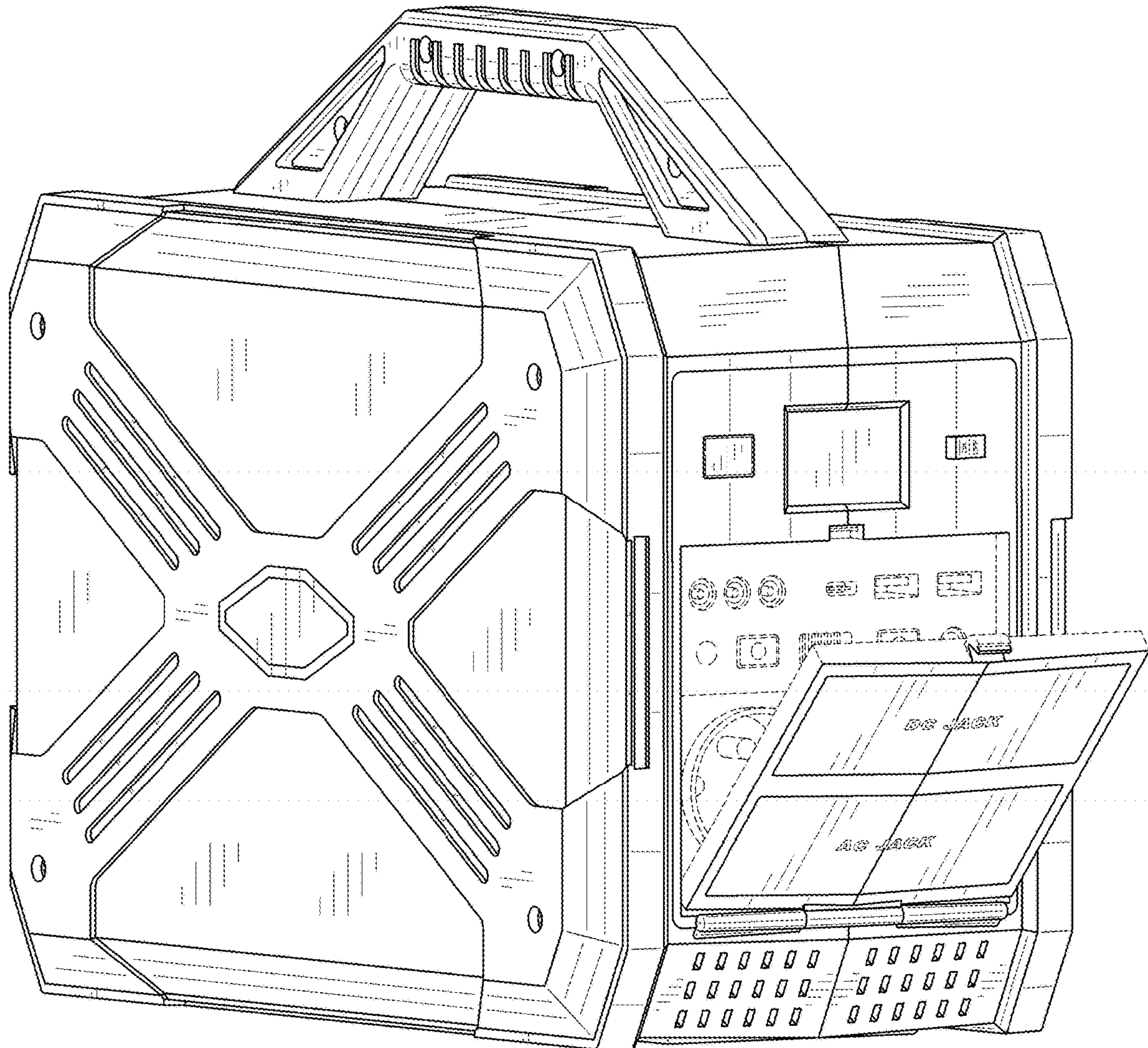


FIG. 9