



US00D873766S

(12) **United States Design Patent** (10) **Patent No.:** **US D873,766 S**
Anséhn et al. (45) **Date of Patent:** **** Jan. 28, 2020**

(54) **BATTERY**
(71) Applicant: **PROFOTO AKTIEBOLAG**,
Sundbyberg (SE)
(72) Inventors: **Johan Anséhn**, Stockholm (SE); **Emil Stenbacka**, Stockholm (SE)
(**) Term: **15 Years**
(21) Appl. No.: **35/504,549**
(22) Filed: **Sep. 18, 2017**
(80) **Hague Agreement Data**
Int. Filing Date: **Sep. 18, 2017**
Int. Reg. No.: **DM/099898**
Int. Reg. Date: **Sep. 18, 2017**
Int. Reg. Pub. Date: **Mar. 9, 2018**
(51) **LOC (12) Cl.** **13-02**
(52) **U.S. Cl.**
USPC **D13/103**
(58) **Field of Classification Search**
USPC D13/103, 106, 107; 320/104; 361/736;
429/159
CPC H01M 2/1072
See application file for complete search history.

(56) **References Cited**
U.S. PATENT DOCUMENTS
D580,349 S * 11/2008 Haydvoegel D13/103
D650,737 S * 12/2011 Hamilton D13/103
D652,377 S * 1/2012 Butts D13/103
D666,144 S * 8/2012 Brand D13/103
D682,196 S * 5/2013 Leung D13/103
D708,129 S * 7/2014 Houghton D13/103
D708,571 S * 7/2014 Ji D13/103

D716,725 S * 11/2014 Kaminsky D13/103
D717,728 S * 11/2014 Krauss D13/103
D733,043 S * 6/2015 Hasbrook D13/103
D764,405 S * 8/2016 Herr D13/103
D768,072 S * 10/2016 Kim D13/103
D768,073 S * 10/2016 Kim D13/103
D791,070 S * 7/2017 Son D13/103
D801,916 S * 11/2017 Altenburger D13/103
D806,015 S * 12/2017 Park D13/103
D811,994 S * 3/2018 Hare D13/103
D811,996 S * 3/2018 Genoa D13/103
D818,948 S * 5/2018 Waldron D13/103
D819,562 S * 6/2018 Waldron D13/103
D826,150 S * 8/2018 Cayon D13/103
D826,847 S * 8/2018 Kim D13/103
D829,646 S * 10/2018 Tse D13/103
D830,966 S * 10/2018 Siminoff D13/103

* cited by examiner

Primary Examiner — Rhea Shields
(74) *Attorney, Agent, or Firm* — Cowan, Liebowitz & Latman, P.C.

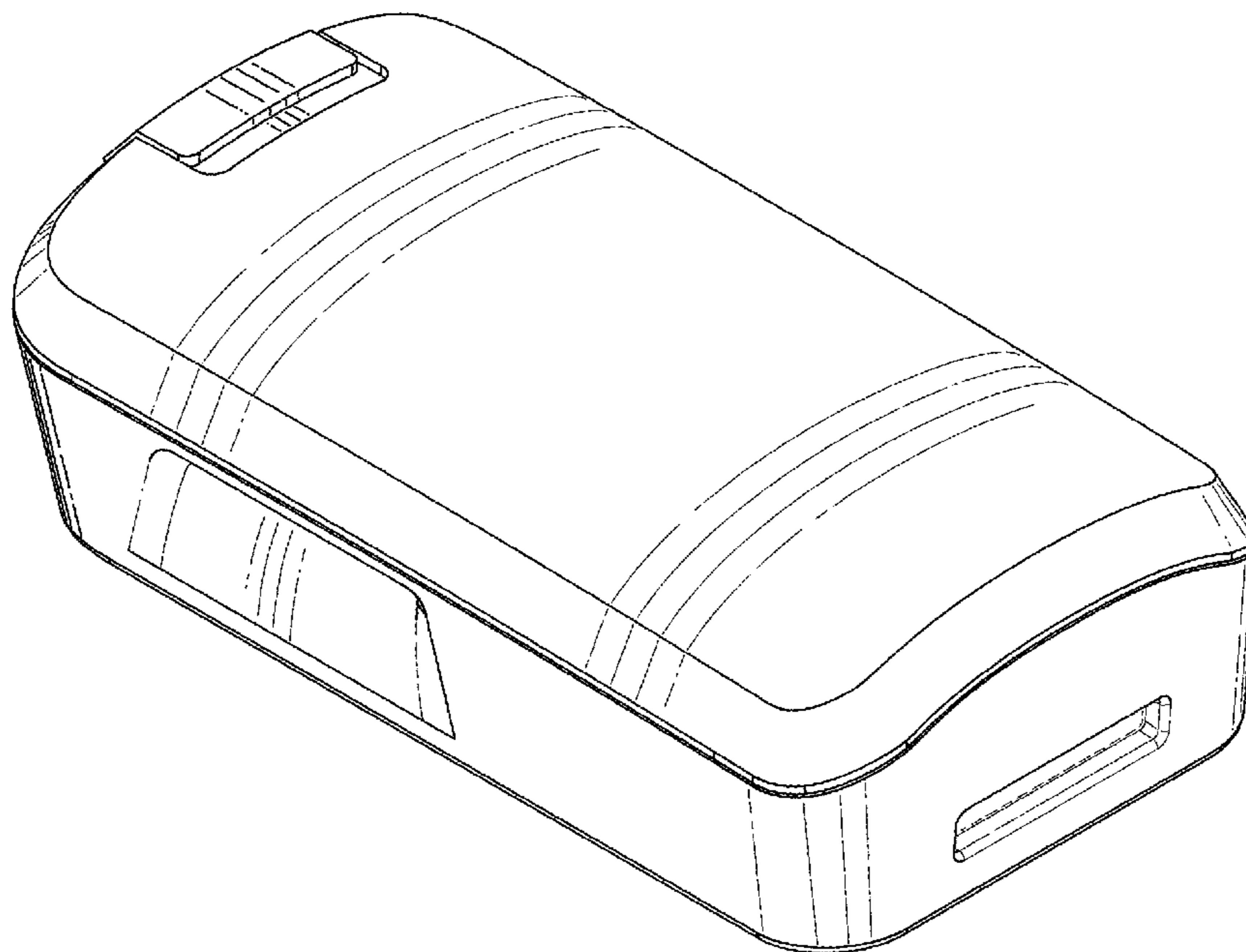
(57) **CLAIM**

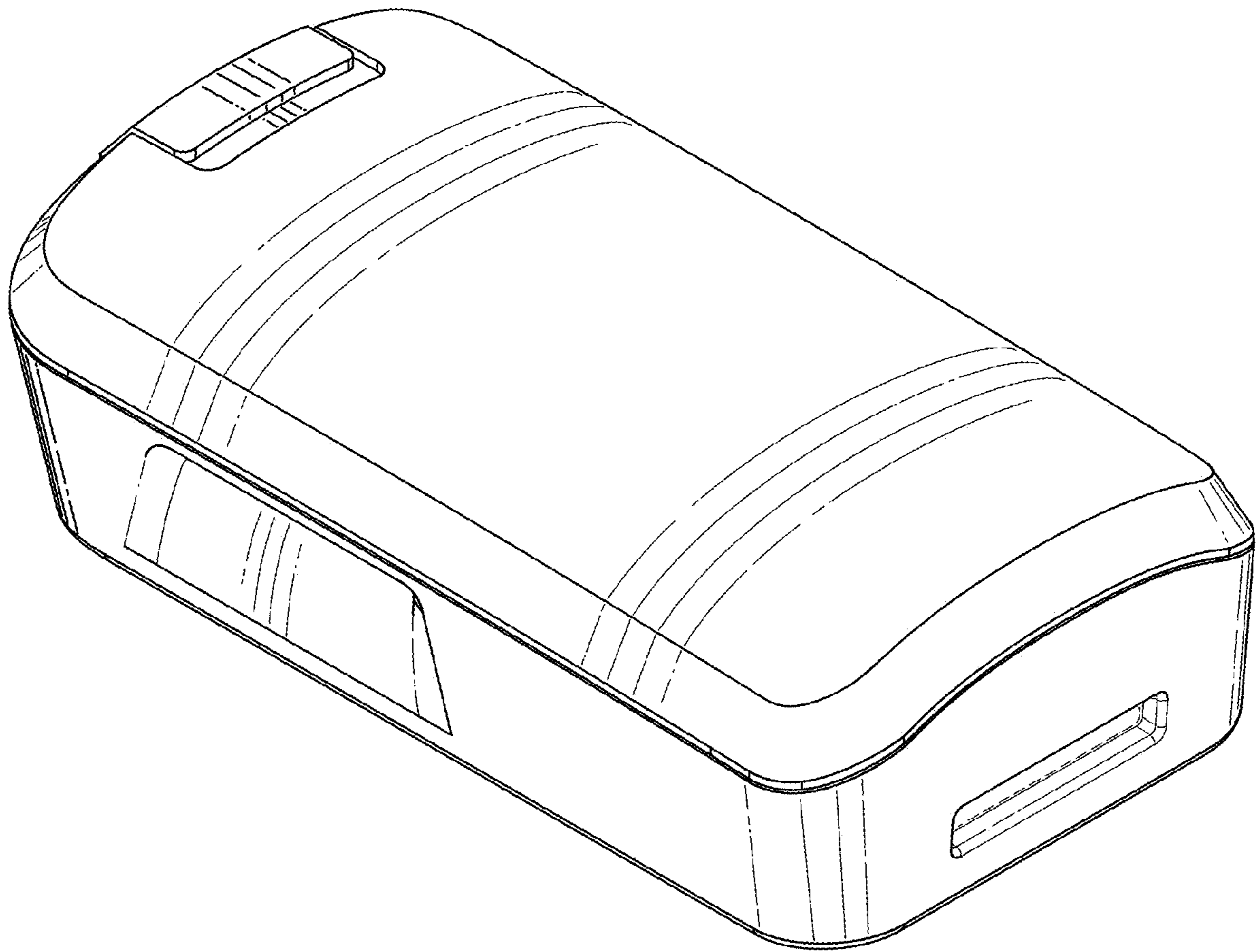
The ornamental design for a battery, as shown and described.

DESCRIPTION

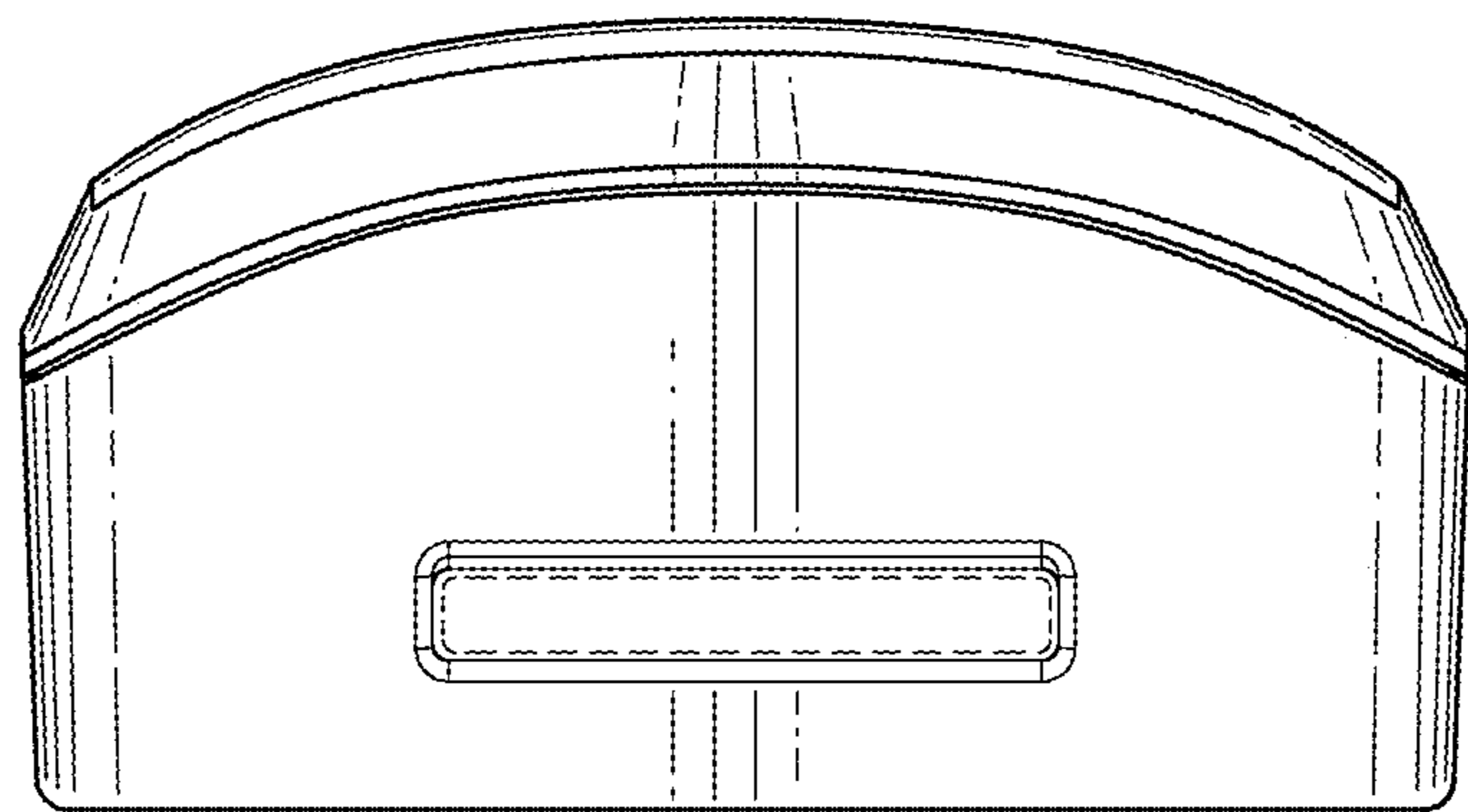
1. Battery
1.1 is a perspective view;
1.2 is a bottom view;
1.3 is a top view;
1.4 is a left side view;
1.5 is a right side view;
1.6 is a front view; and
1.7 is a back view.
In the drawings, the broken lines are for the purpose of illustrating environment only and form no part of the claimed design.

1 Claim, 7 Drawing Sheets

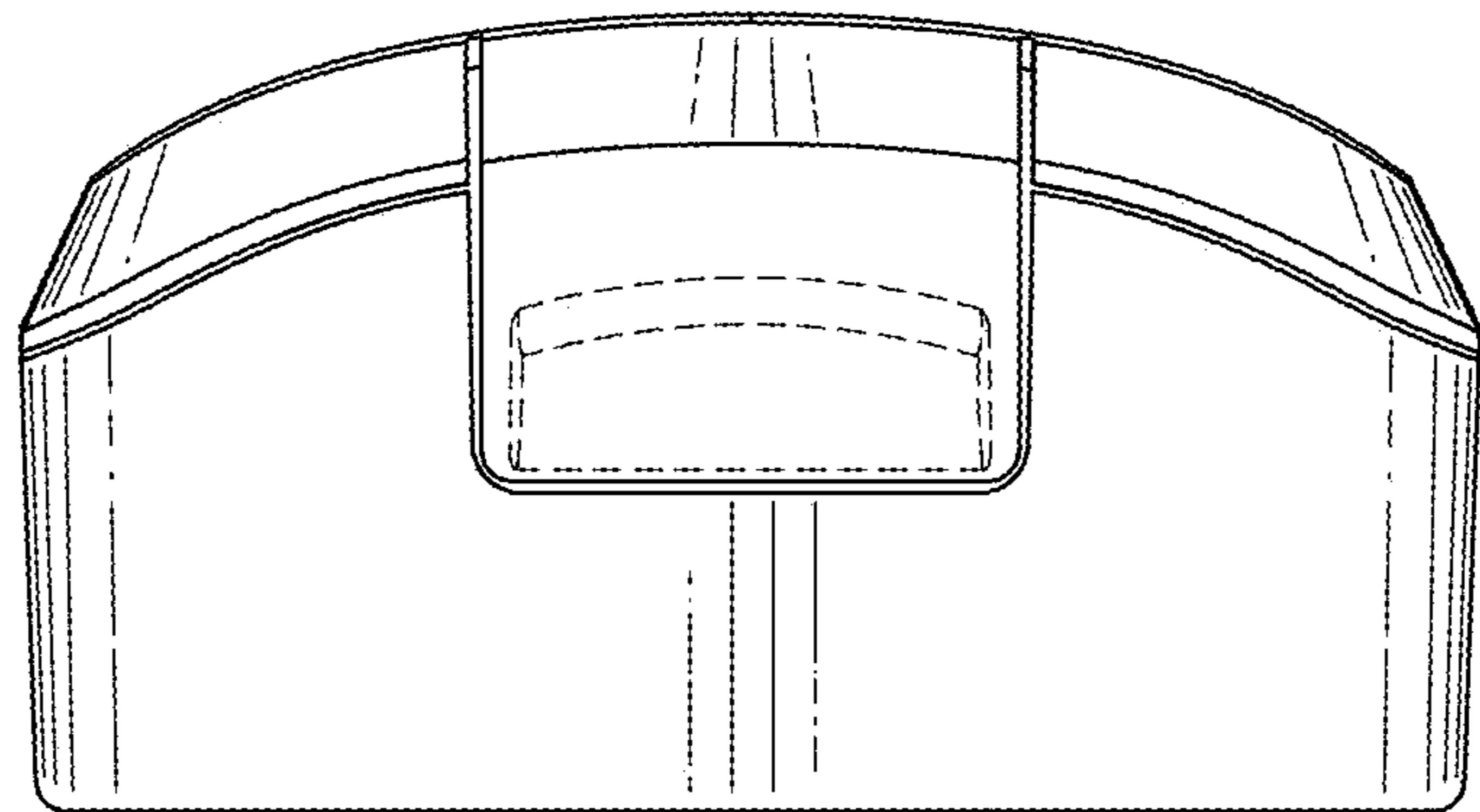




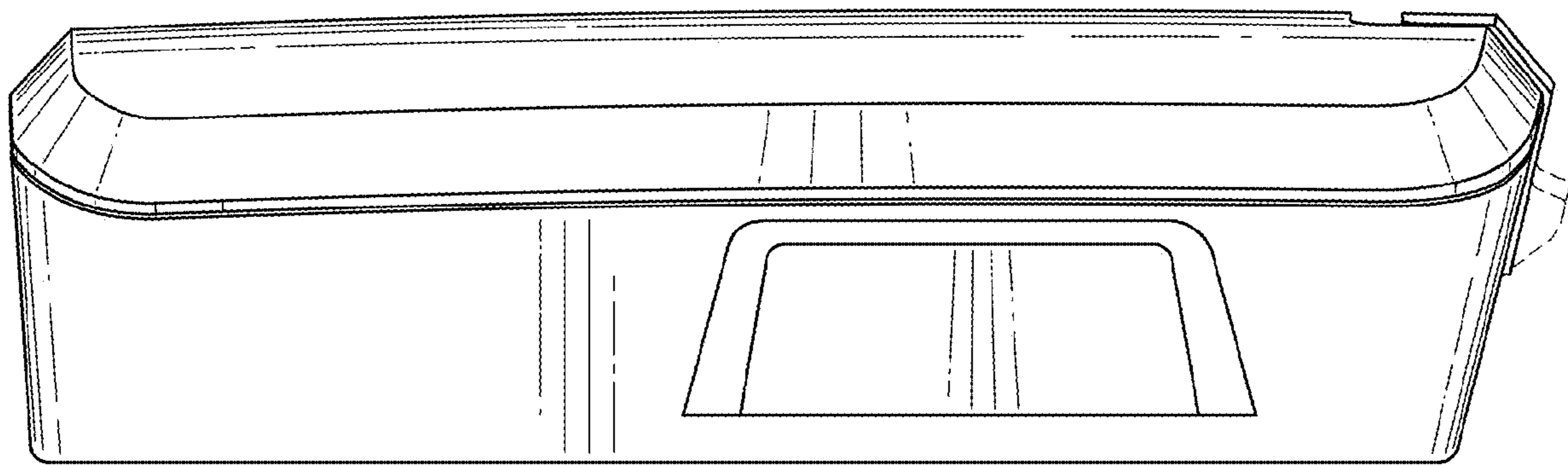
1.1



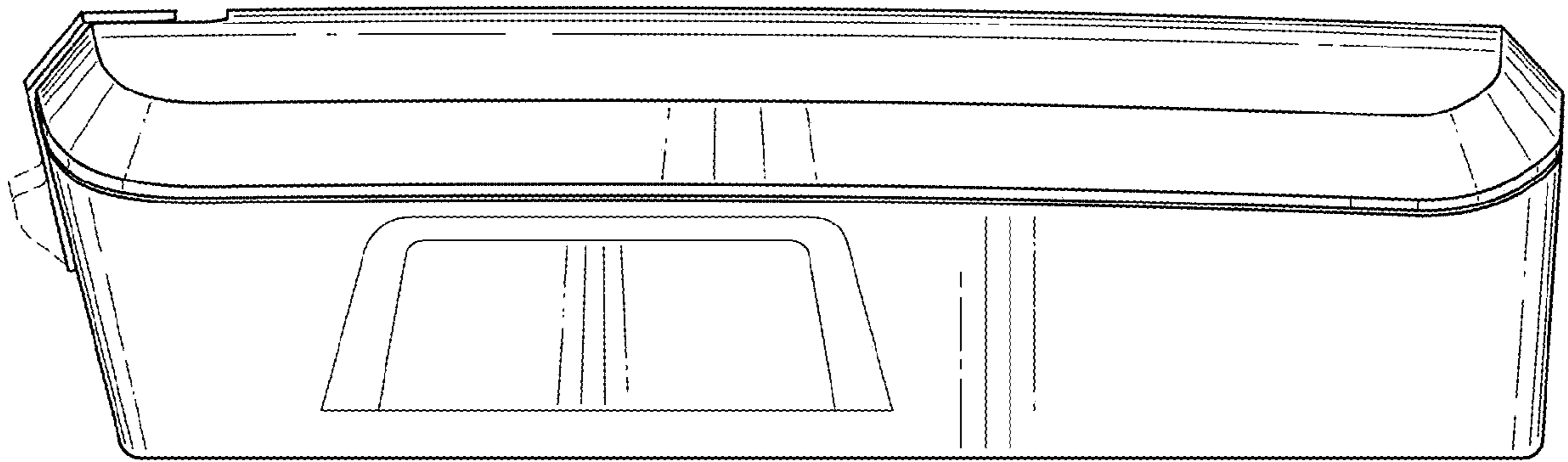
1.2



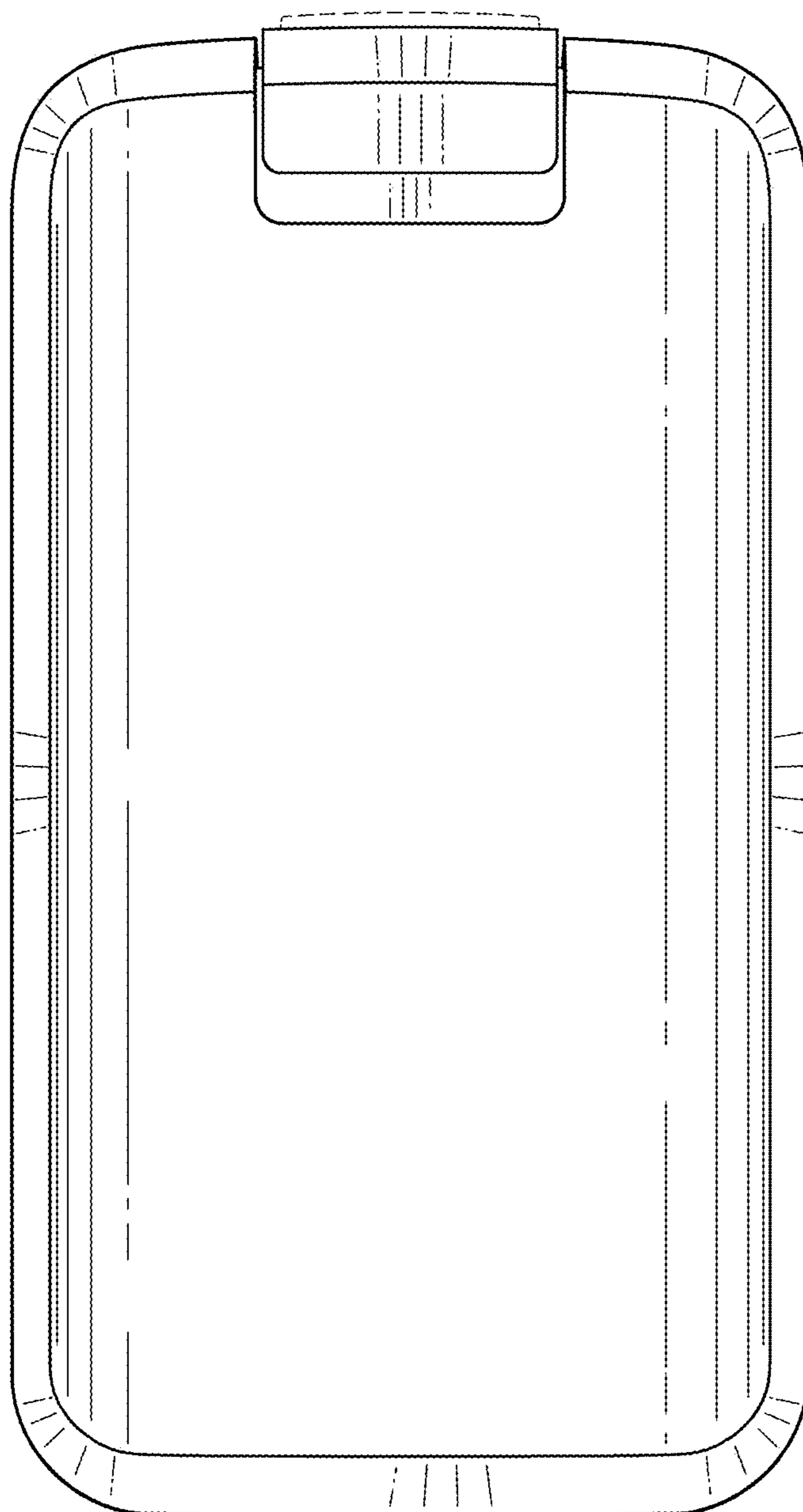
1.3



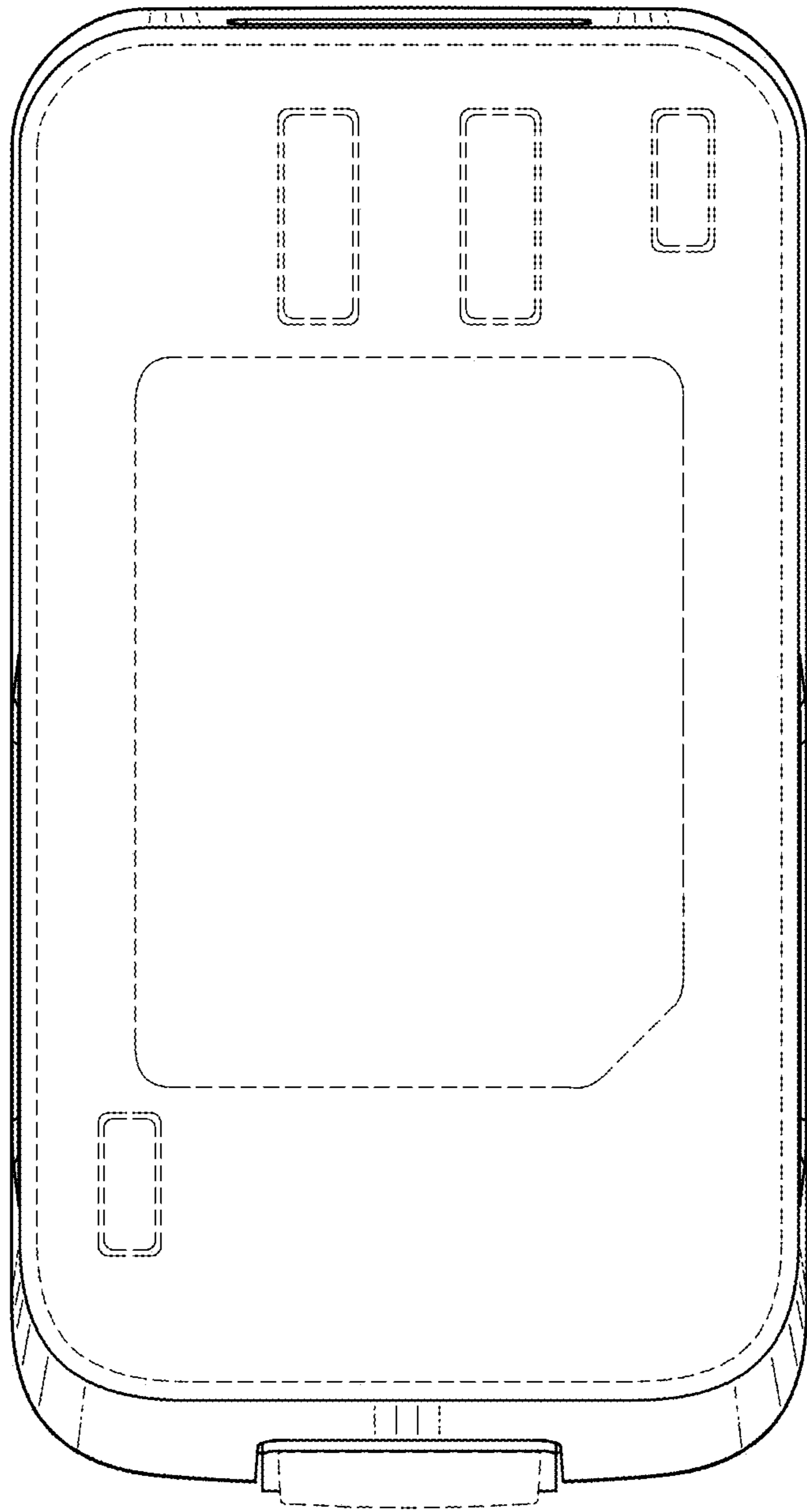
1.4



1.5



1.6



1.7