



US00D873763S

(12) **United States Design Patent**
Petr

(10) **Patent No.:** **US D873,763 S**

(45) **Date of Patent:** **** Jan. 28, 2020**

(54) **TIRE TREAD**

(71) Applicant: **COOPER TIRE & RUBBER COMPANY**, Findlay, OH (US)

(72) Inventor: **Matthew J. Petr**, Findlay, OH (US)

(73) Assignee: **COOPER TIRE & RUBBER COMPANY**, Findlay, OH (US)

(**) Term: **15 Years**

(21) Appl. No.: **29/663,837**

(22) Filed: **Sep. 19, 2018**

(51) **LOC (12) Cl.** **12-15**

(52) **U.S. Cl.**
USPC **D12/579**; D12/503; D12/531; D12/600;
D12/605; D12/900

(58) **Field of Classification Search**

USPC D12/503, 579, 586, 587, 588, 589, 590,
D12/594, 595, 600, 601, 605, 900
CPC B60C 11/032; B60C 11/0388
See application file for complete search history.

(56) **References Cited**

U.S. PATENT DOCUMENTS

D296,679 S	7/1988	Lassan	
D308,189 S *	5/1990	Hinrichsen D12/579
D369,767 S	5/1996	Himuro et al.	
D385,238 S	10/1997	Himuro et al.	
D413,287 S	8/1999	Brown et al.	

(Continued)

OTHER PUBLICATIONS

J. M Taco: Patriottires. Screenshot dated Feb. 12, 2017. Found online Sep. 5, 2019 at: <https://www.tacomaworld.com/threads/firestone-camo-sidewall-tires.481552/page-2>.*

(Continued)

Primary Examiner — Robert M. Spear

(74) *Attorney, Agent, or Firm* — Fay Sharpe LLP

(57) **CLAIM**

The ornamental design for a tire tread, as shown and described.

DESCRIPTION

FIG. 1 is a perspective view of a tire tread of the present application taken generally from the front and a first side of the tire;

FIG. 2 is a front view thereof;

FIG. 3 is a side view (first side) thereof;

FIG. 4 is an enlarged partial, perspective view taken generally from the front and the first side thereof;

FIG. 5 is an enlarged, partial front view thereof;

FIG. 6 is an enlarged, partial side view (first side) thereof;

FIG. 7 is a perspective view taken generally from the front and a second side of the tire;

FIG. 8 is a side view (second side) thereof;

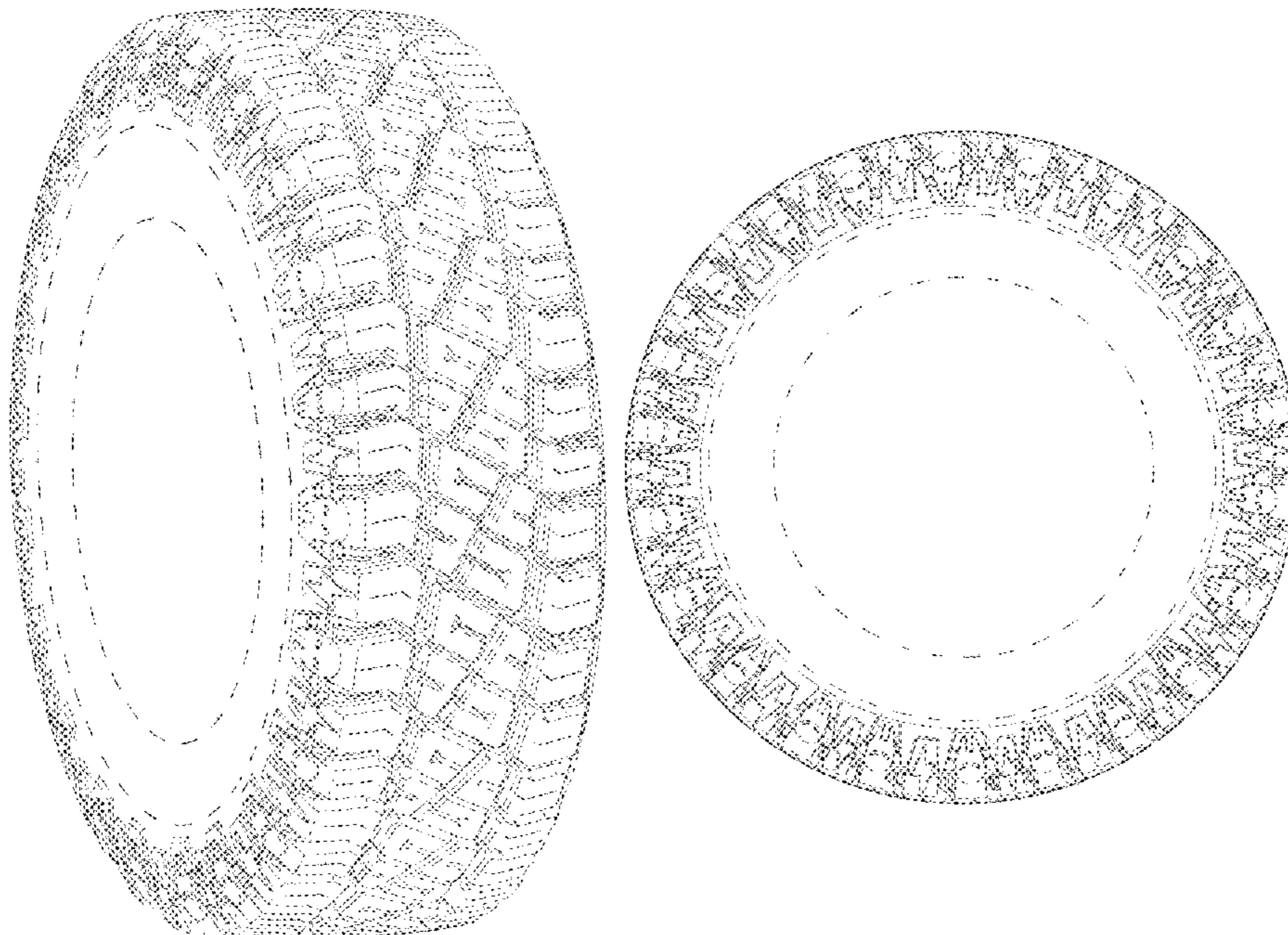
FIG. 9 is an enlarged partial, perspective view taken generally from the front and the second side thereof;

FIG. 10 is an enlarged, partial side view (second side) thereof; and,

FIG. 11 is a further enlarged partial side view (second side) thereof.

The broken lines and the region between the broken lines defining the inner bead and the first (or second) sidewall depicts subject matter that forms no part of the claimed tire tread design, and is included for the purpose of illustrating the full tire. Likewise, the tire interior forms no part of the claim. The tread pattern is understood to repeat throughout the circumference of the tire.

1 Claim, 11 Drawing Sheets



(56)

References Cited

U.S. PATENT DOCUMENTS

D414,727 S 10/1999 Brown et al.
 D432,960 S * 10/2000 Feider D12/602
 D444,432 S * 7/2001 Warchol D12/602
 D487,056 S 2/2004 Rooney et al.
 D504,390 S 4/2005 Kindig
 D553,560 S 10/2007 Dixon
 D577,329 S 9/2008 Umstot et al.
 D577,331 S 9/2008 Ochi
 D577,660 S * 9/2008 Durand D12/579
 D595,643 S 7/2009 Ochi
 D597,024 S 7/2009 Ochi
 D603,788 S 11/2009 Lundgren
 D634,264 S 3/2011 Lo
 D642,512 S * 8/2011 Jacobs D12/600
 D647,472 S * 10/2011 Rittweger D12/602
 D648,262 S * 11/2011 Hermann D12/579
 D653,195 S 1/2012 Sareen
 D662,876 S 7/2012 Larregain
 D670,642 S 11/2012 Maxwell et al.

D730,272 S * 5/2015 Fleckner D12/580
 D732,463 S 6/2015 Petr et al.
 D744,412 S 12/2015 Schimmoeller
 D745,453 S 12/2015 Chen
 D753,583 S 4/2016 Hao et al.
 D758,294 S 6/2016 Ochi
 D784,249 S 4/2017 Dixon et al.
 D790,445 S 6/2017 Fitzgerald et al.
 D795,794 S 8/2017 Thieman
 D795,795 S 8/2017 Robbins
 D806,640 S 1/2018 Petr
 D816,018 S 4/2018 Chiang et al.
 D838,660 S * 1/2019 Hiser D12/579
 D847,730 S * 5/2019 Dixon D12/594

OTHER PUBLICATIONS

Dick Cepek Crusher. Screenshot undated. Found online Sep. 5, 2019 at: https://www.tirepros.com/tires/Dick%20Cepek/crusher/p/style/35914.*

* cited by examiner

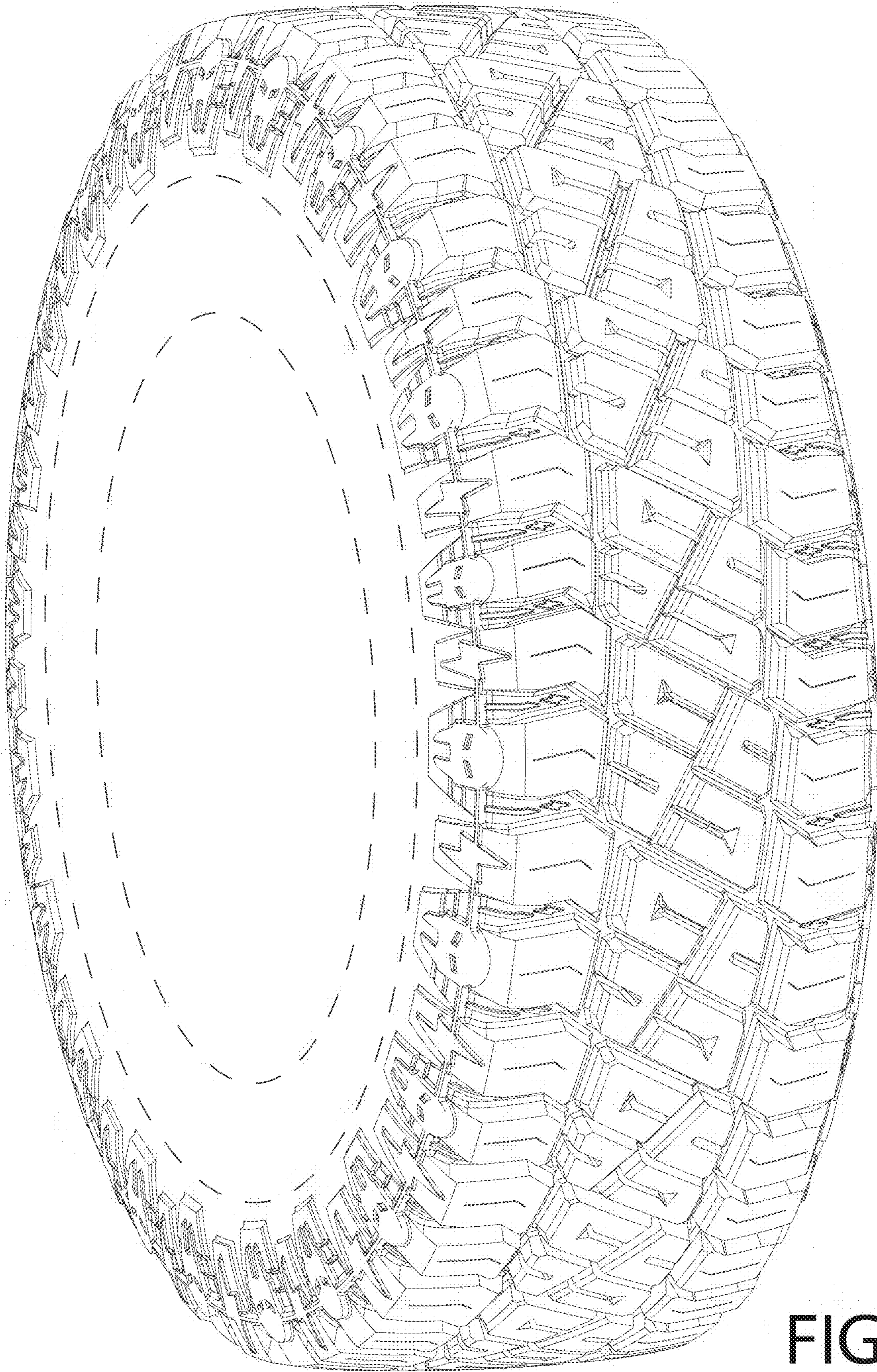


FIG. 1

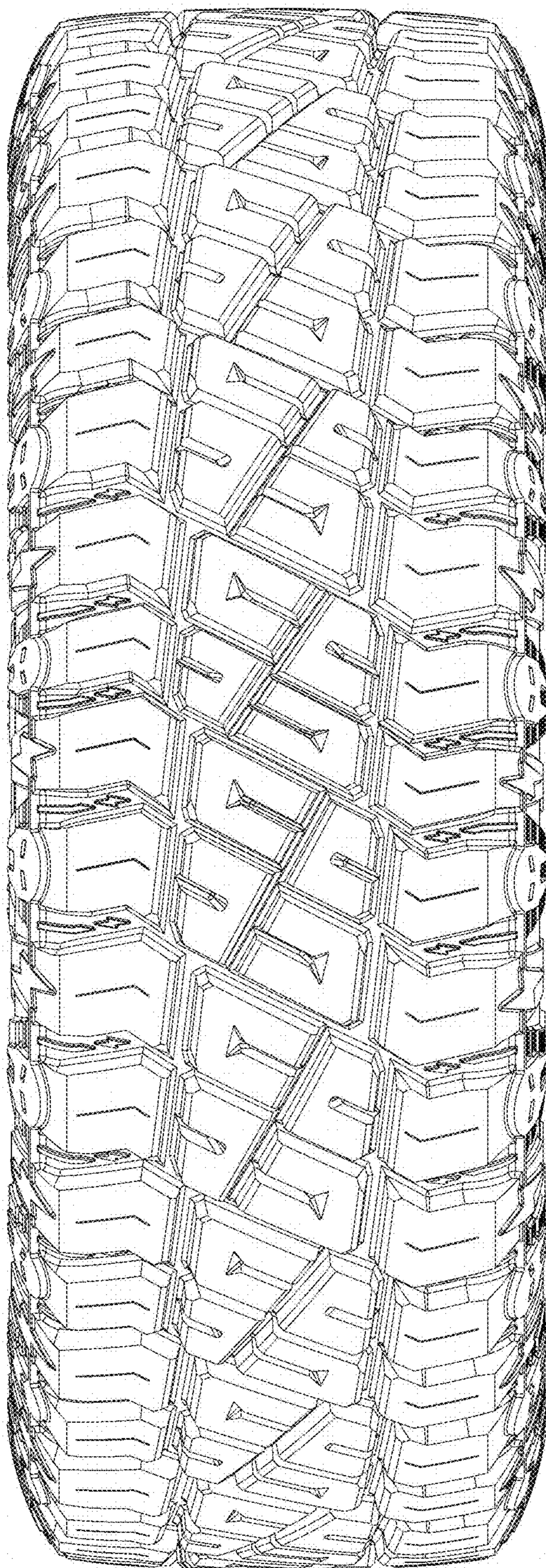


FIG. 2

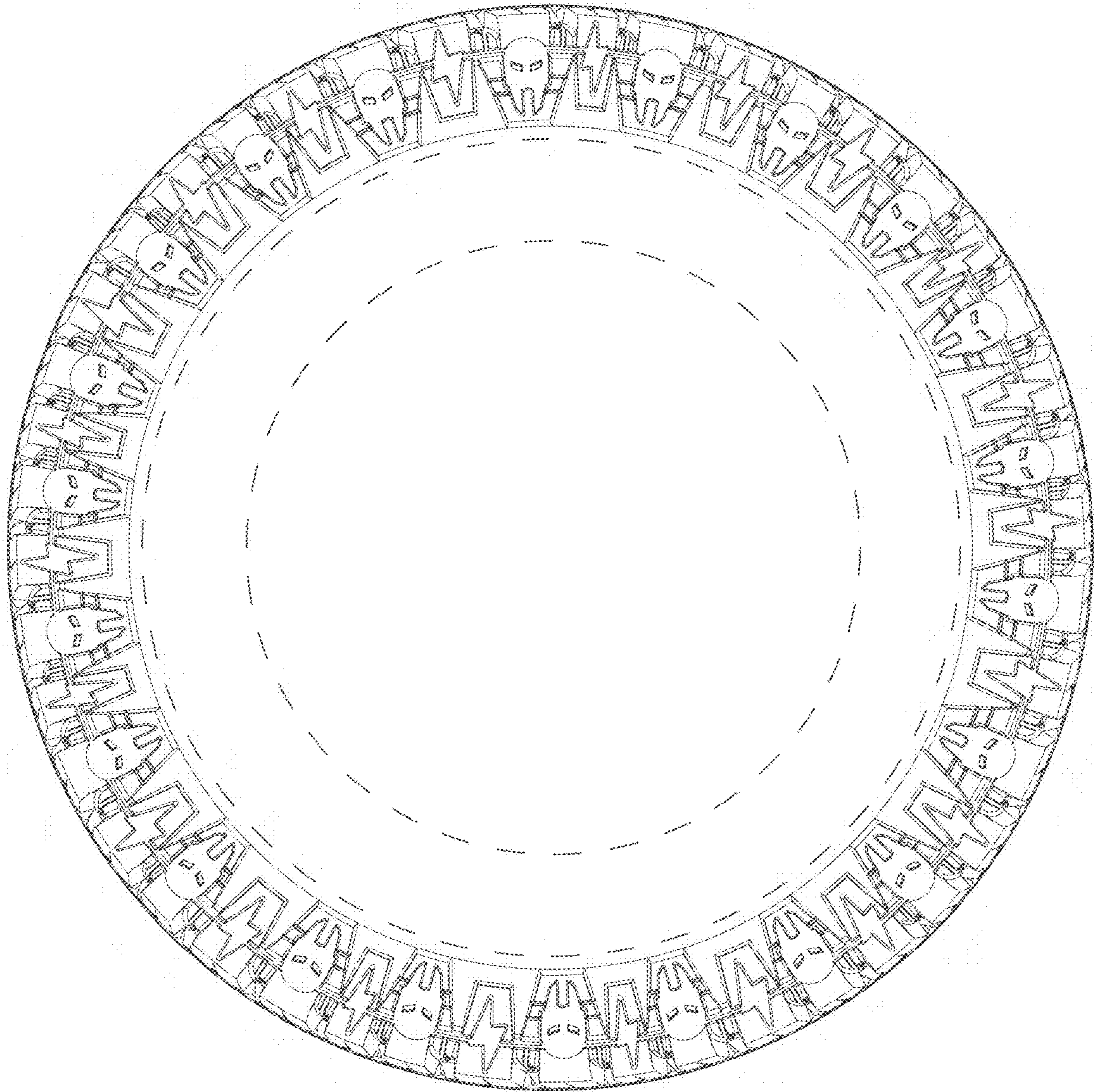


FIG. 3

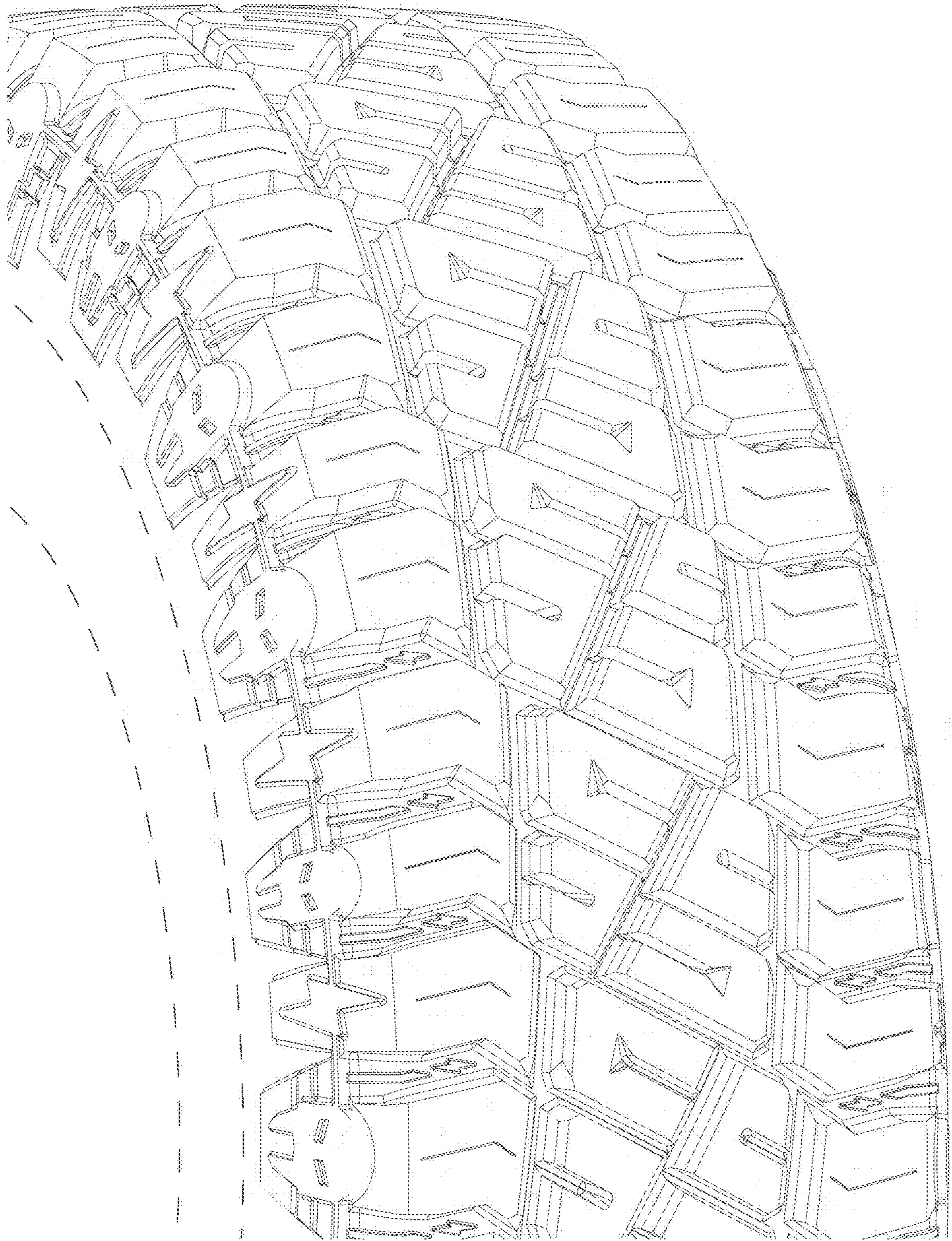


FIG. 4

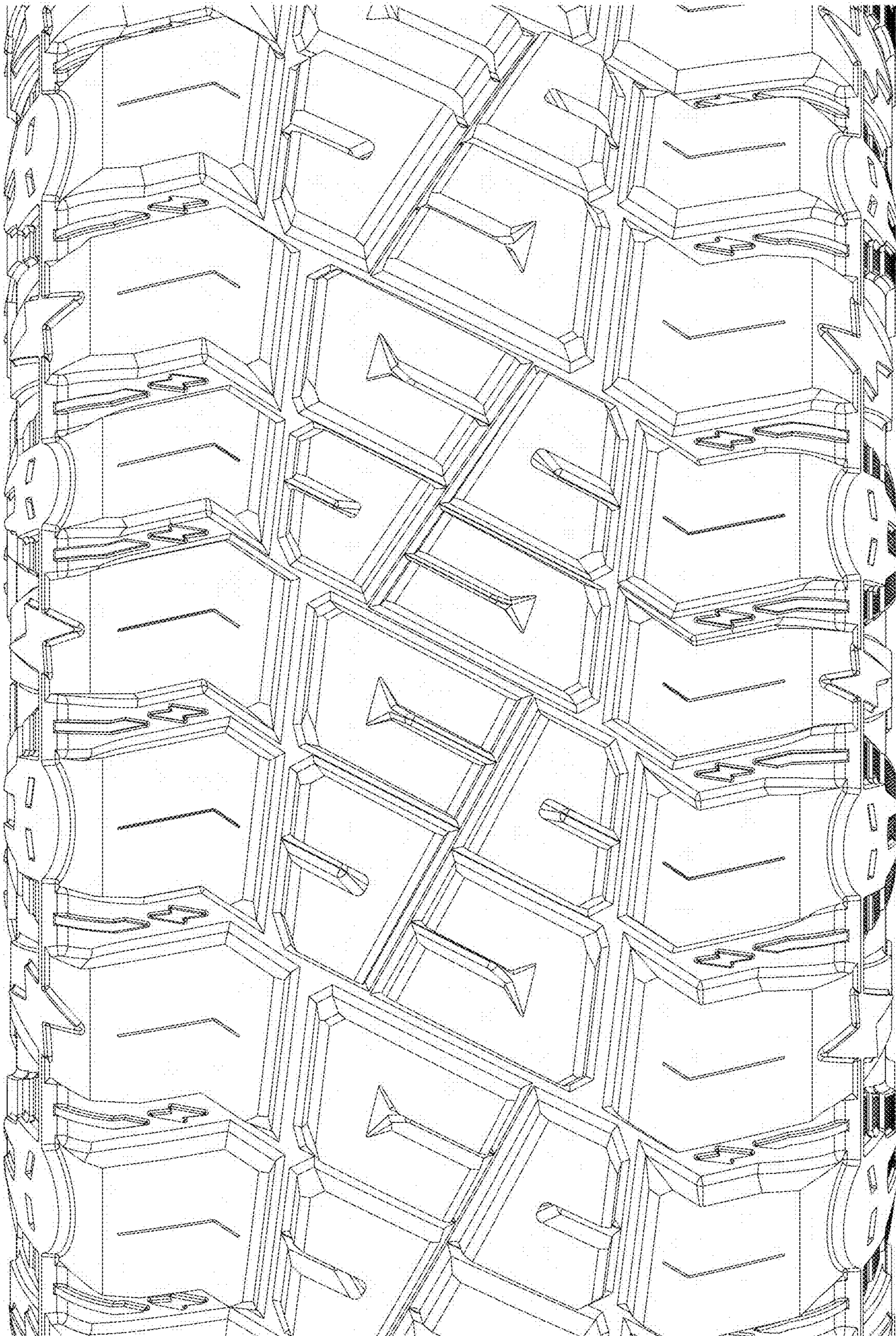


FIG. 5

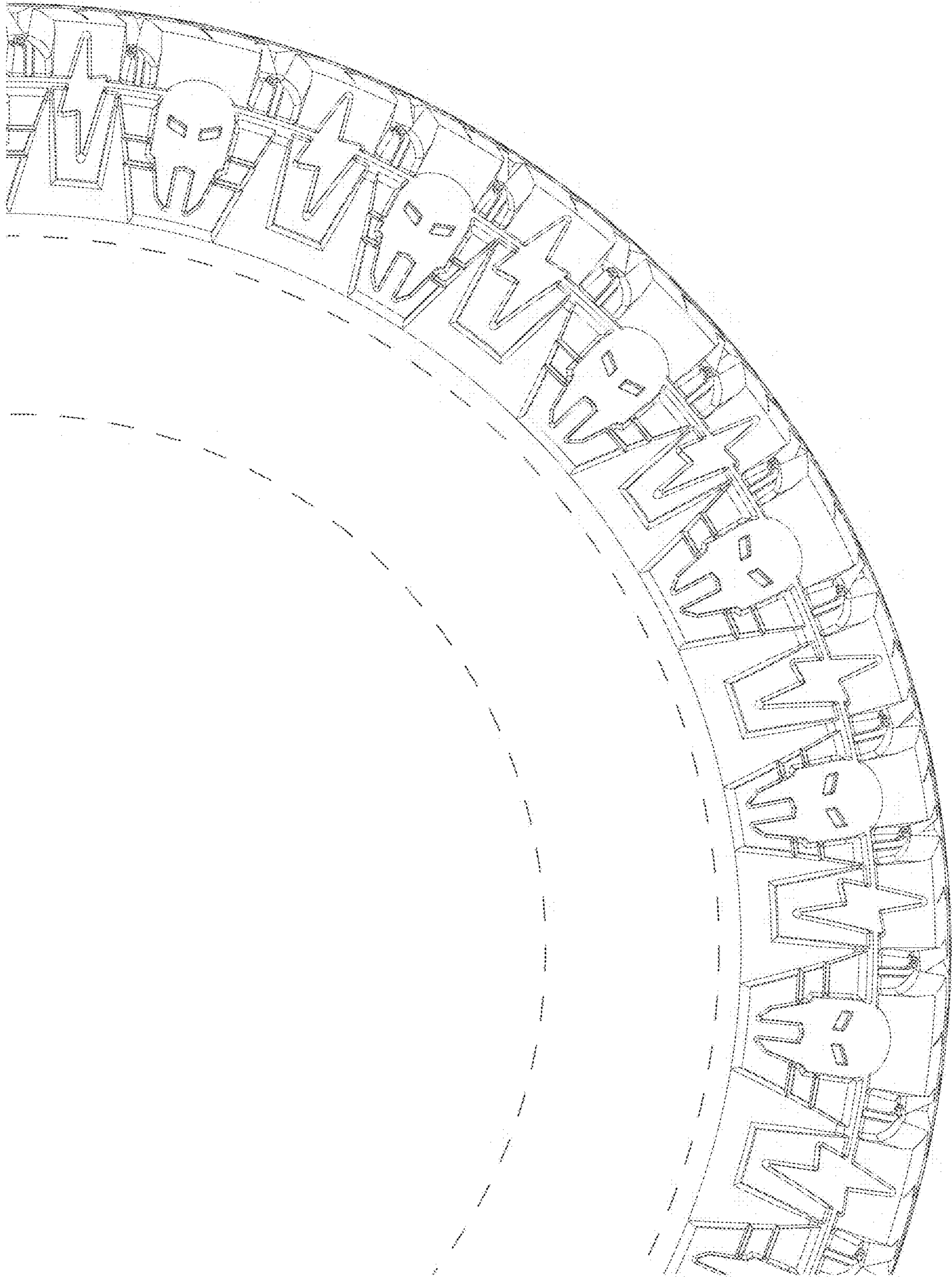


FIG. 6

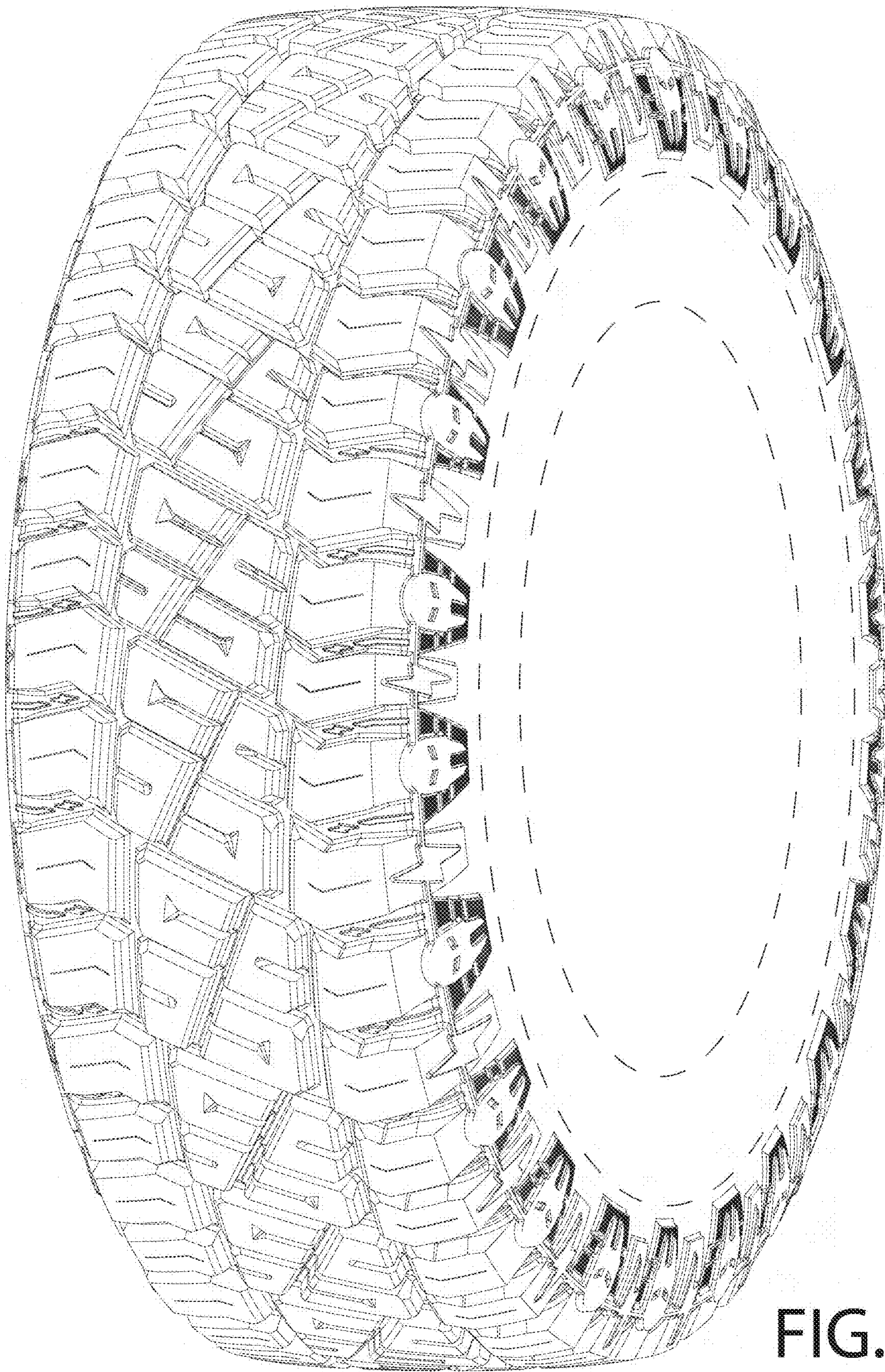


FIG. 7

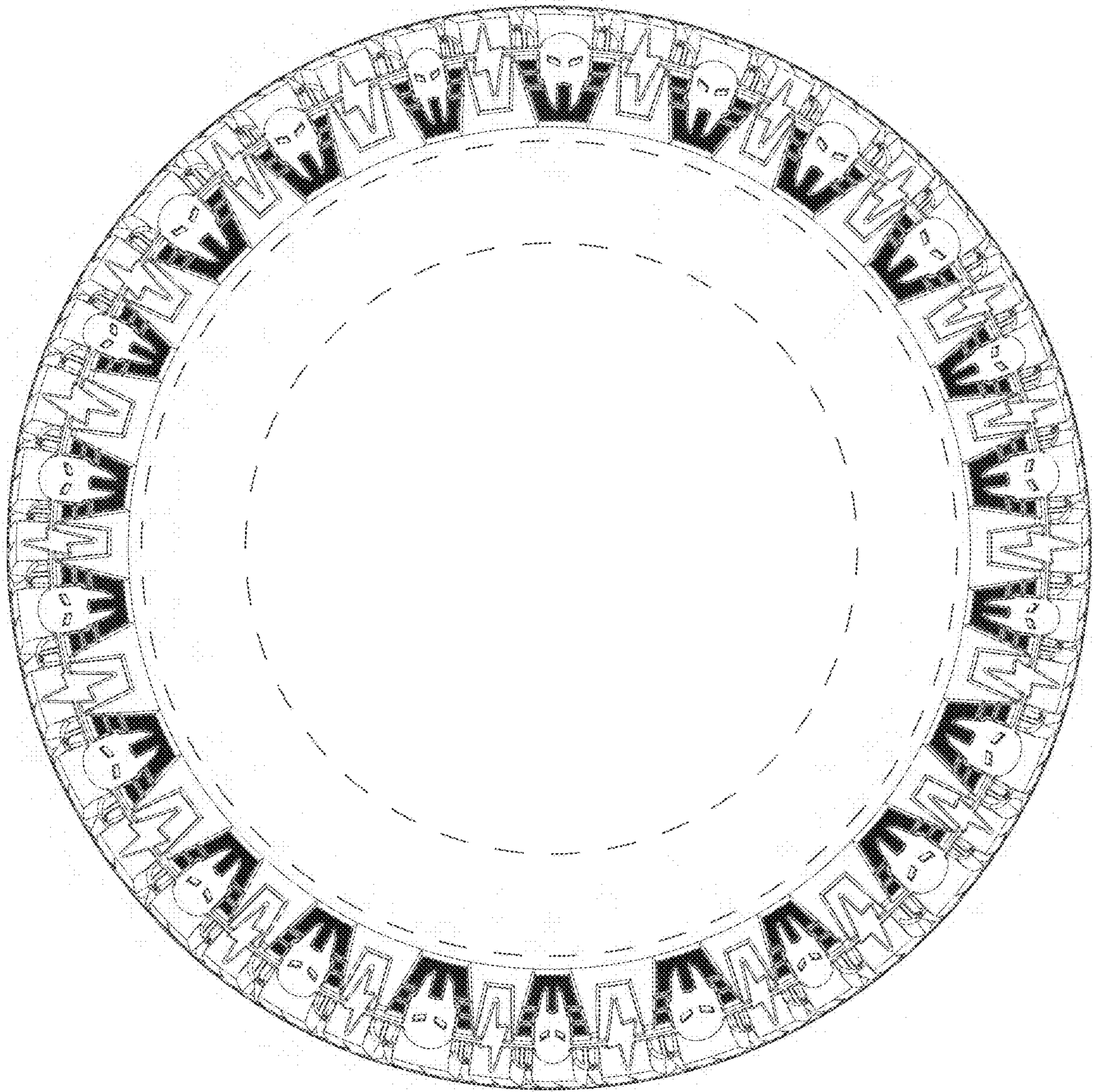


FIG. 8

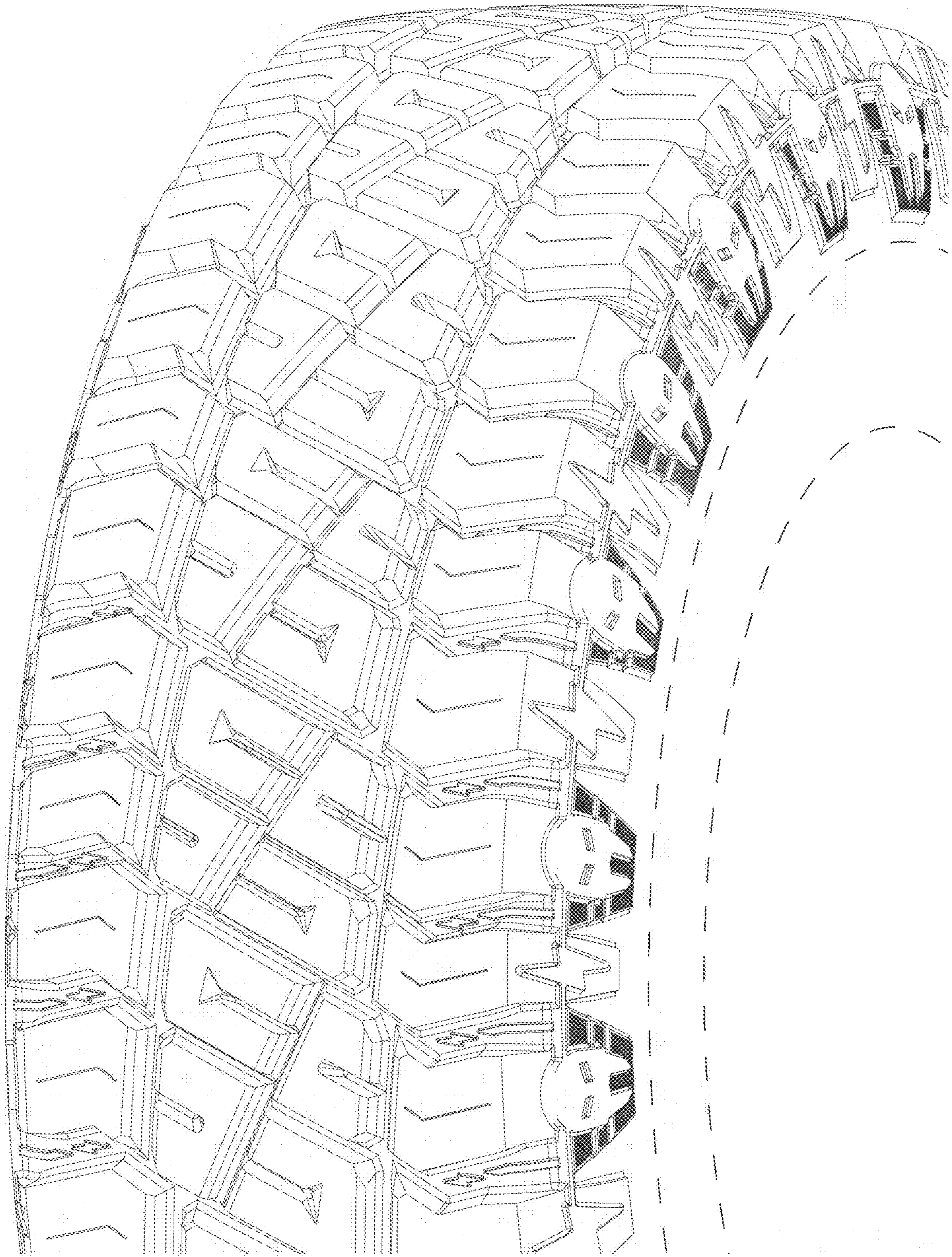


FIG. 9

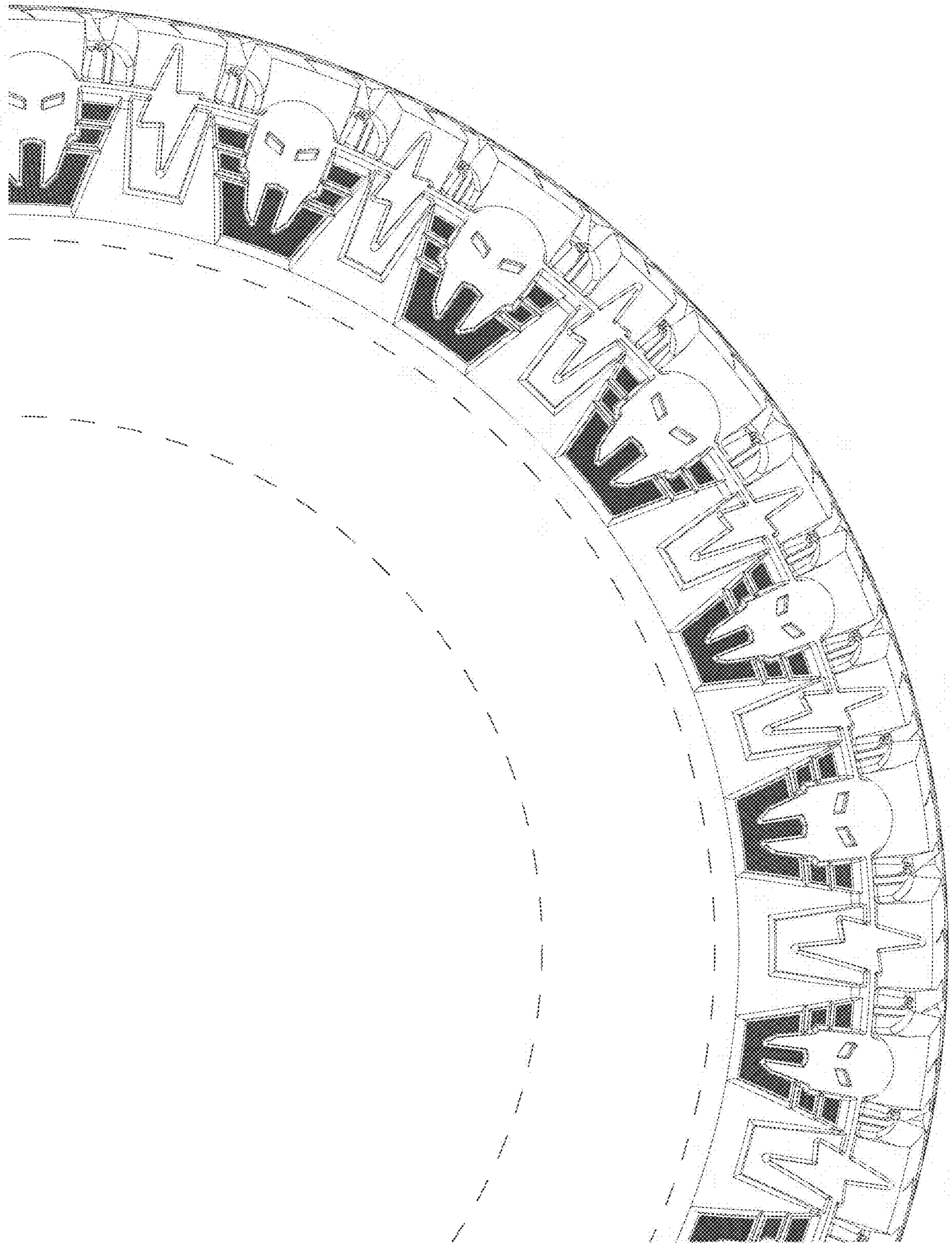


FIG. 10

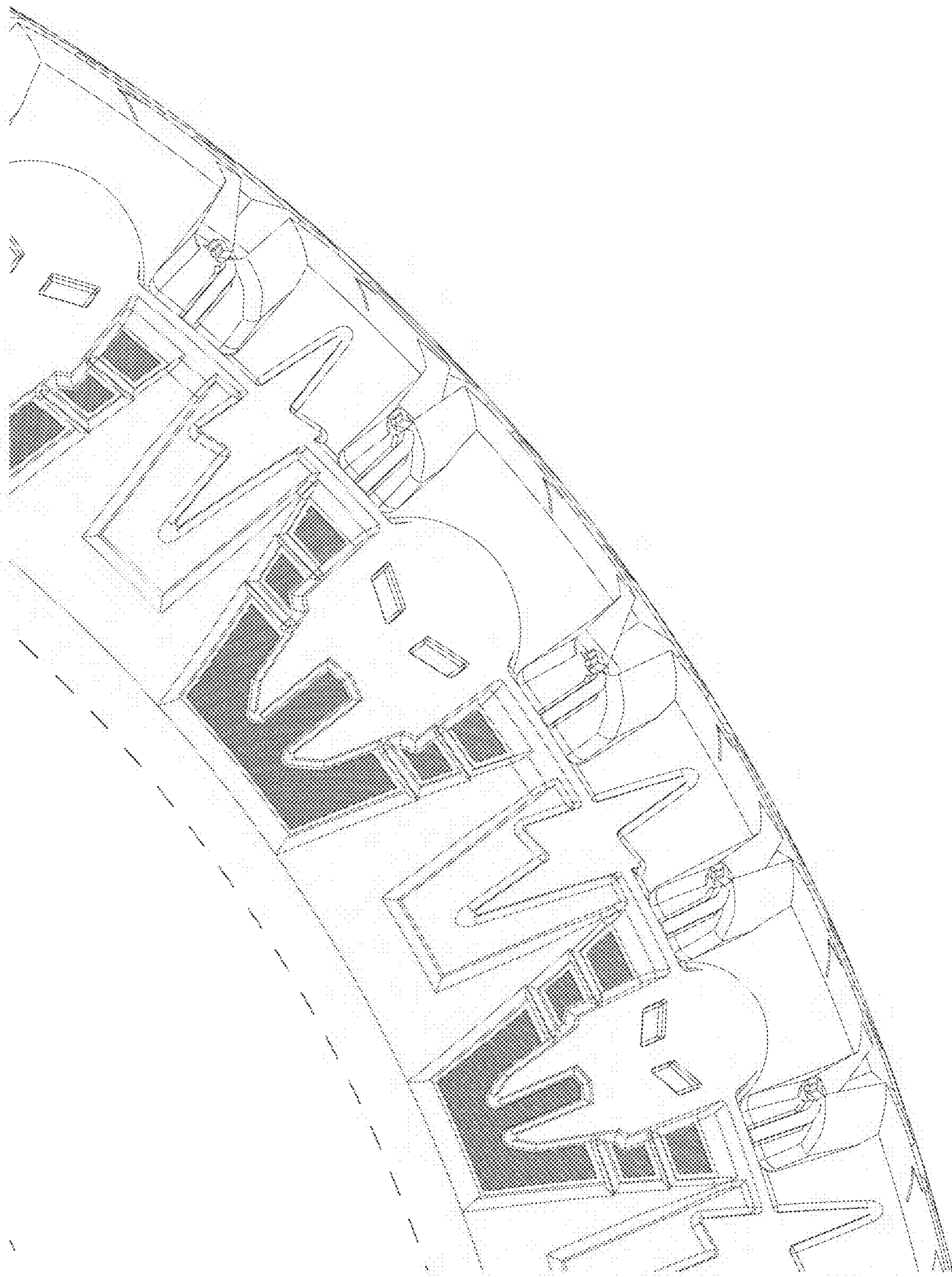


FIG. 11