



US00D873758S

(12) **United States Design Patent**
Adler et al.

(10) **Patent No.:** **US D873,758 S**
(45) **Date of Patent:** **** Jan. 28, 2020**

(54) **CARRIER**
(71) Applicant: **Thule Sweden AB**, Hillerstorp (SE)
(72) Inventors: **Jan Adler**, Skillingaryd (SE); **Daniel Connors**, Southbury, CT (US)

D706,209 S 6/2014 Flaherty
D707,617 S 6/2014 Flaherty et al.
D717,717 S 11/2014 Williams
D727,831 S 4/2015 Eriksson et al.
9,067,522 B2 6/2015 Laverack et al.
(Continued)

(73) Assignee: **Thule Sweden AB**, Hillerstorp (SE)
(**) Term: **15 Years**

FOREIGN PATENT DOCUMENTS

DE 102013006782 A1 6/2014
EP 2441623 A1 4/2012
EP 2664497 A1 11/2013

(21) Appl. No.: **29/657,277**

(22) Filed: **Jul. 20, 2018**

OTHER PUBLICATIONS

(51) **LOC (12) Cl.** **12-11**
(52) **U.S. Cl.**
USPC **D12/407**
(58) **Field of Classification Search**
USPC ... D12/406-408, 414, 414.1, 412, 400, 402;
D8/349, 356
CPC .. B60R 9/06; B60R 9/10; B60R 9/045; B60R
9/048
See application file for complete search history.

Wayback Machine Internet Archive, "3 in 1 Kayak Carrier SC-KJ02," Swisscargoboxes, dated Sep. 8, 2017. Available online at (<https://web.archive.org/web/20170908030856/http://swisscargoboxes.com/3-in-1-kayak-carrier.html>).

Primary Examiner — Michelle E. Wilson
Assistant Examiner — Clese Moore, Jr.
(74) *Attorney, Agent, or Firm* — Sterne, Kessler, Goldstein & Fox P.L.L.C.

(56) **References Cited**

(57) **CLAIM**

U.S. PATENT DOCUMENTS

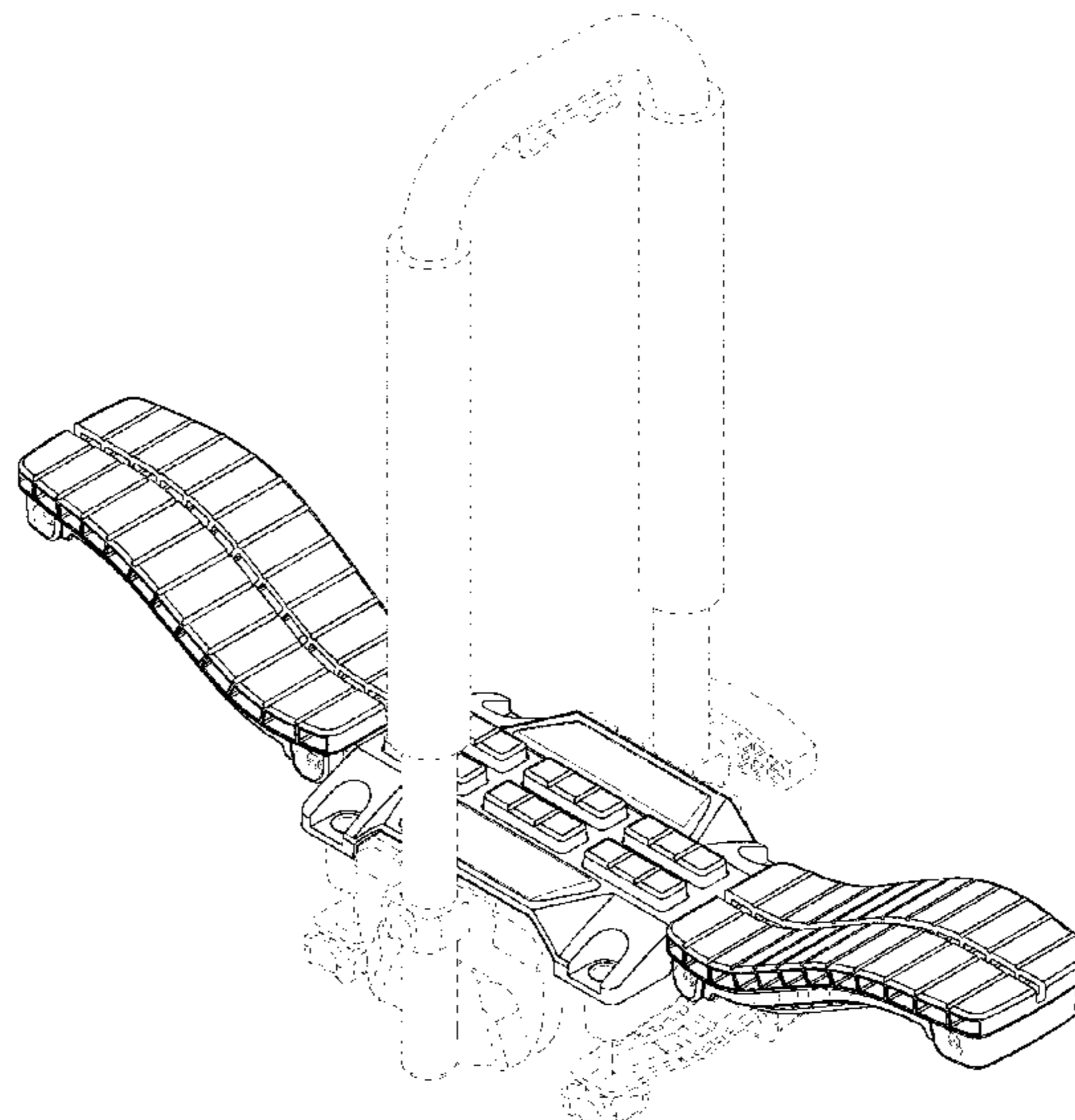
The ornamental design for a carrier, as shown and described.

D372,691 S 8/1996 Eason
5,775,557 A 7/1998 Arvidsson
5,951,231 A 9/1999 Allen
6,019,266 A * 2/2000 Johnson B60R 9/06
224/508
D430,533 S * 9/2000 Peschmann D12/408
7,131,561 B2 11/2006 Humes
D622,208 S * 8/2010 Sautter D12/408
D623,117 S * 9/2010 Farber D12/408
D623,120 S * 9/2010 Farber D12/412
D623,584 S * 9/2010 Farber D12/412
D628,141 S 11/2010 Weaver et al.
D630,572 S 1/2011 Weaver et al.
D637,949 S * 5/2011 Farber D12/412
D665,725 S * 8/2012 Laverack D12/412
D671,883 S 12/2012 Farber
D672,704 S 12/2012 Grago

DESCRIPTION

FIG. 1 is a top perspective view of a carrier showing the claimed design;
FIG. 2 is a bottom perspective view thereof;
FIG. 3 is a left side view thereof;
FIG. 4 is a right side view thereof;
FIG. 5 is a rear view thereof;
FIG. 6 is a front view thereof;
FIG. 7 is a top view thereof; and,
FIG. 8 is a bottom view thereof.
The broken lines in the figures show portions of the carrier that form no part of the claimed design.

1 Claim, 8 Drawing Sheets



(56)

References Cited

U.S. PATENT DOCUMENTS

9,333,922	B2	5/2016	Laverack et al.	
D788,019	S *	5/2017	Kuschmeader	D12/408
D789,276	S *	6/2017	Adler	D12/407
D790,434	S	6/2017	Adler	
D811,985	S	3/2018	Clark et al.	
D813,784	S *	3/2018	Larsson	D12/407
D813,786	S *	3/2018	Adler	D12/412
D814,388	S *	4/2018	Salsi	D12/408
D817,256	S *	5/2018	Adler	D12/408
9,975,494	B2 *	5/2018	Connors	B60R 9/048
D830,947	S *	10/2018	Adler	D12/406
D840,324	S	2/2019	Adler et al.	
2007/0108245	A1 *	5/2007	Ferman	B60R 9/06 224/504
2009/0120984	A1	5/2009	Sautter et al.	
2010/0230455	A1	9/2010	Wang	
2010/0320247	A1	12/2010	Wang et al.	
2011/0163142	A1 *	7/2011	Farber	B60R 9/08 224/545
2012/0234883	A1	9/2012	Sautter et al.	
2013/0062385	A1	3/2013	Pedrini	
2013/0062487	A1	3/2013	Liu	
2013/0182454	A1 *	7/2013	Hofmann	B60R 9/10 362/549
2016/0001710	A1 *	1/2016	Prescott	B60R 9/06 224/536
2016/0185304	A1	6/2016	Pedrini	
2017/0028929	A1	2/2017	Connors	
2017/0028930	A1	2/2017	Connors	

* cited by examiner

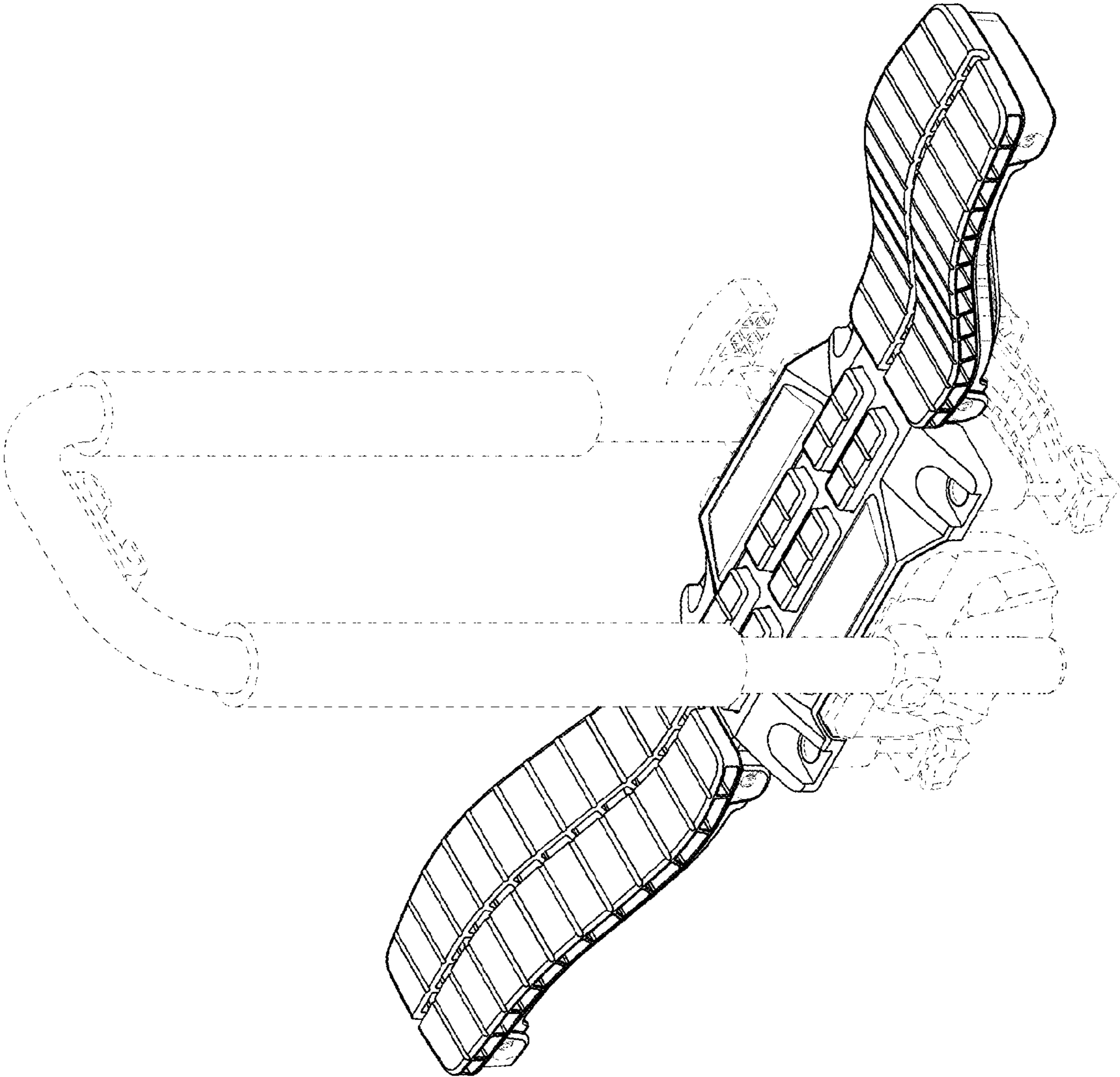


FIG.1

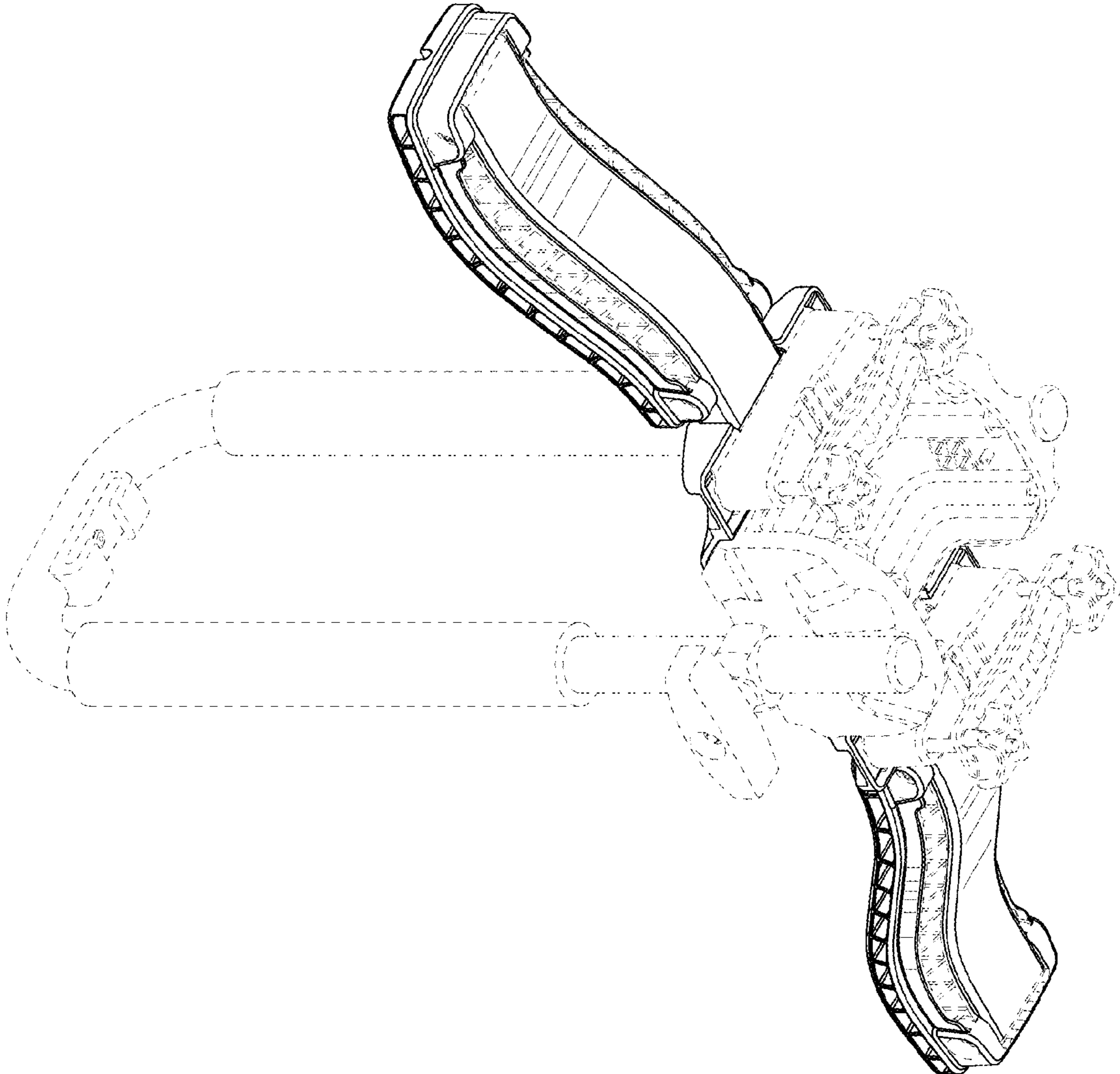


FIG.2

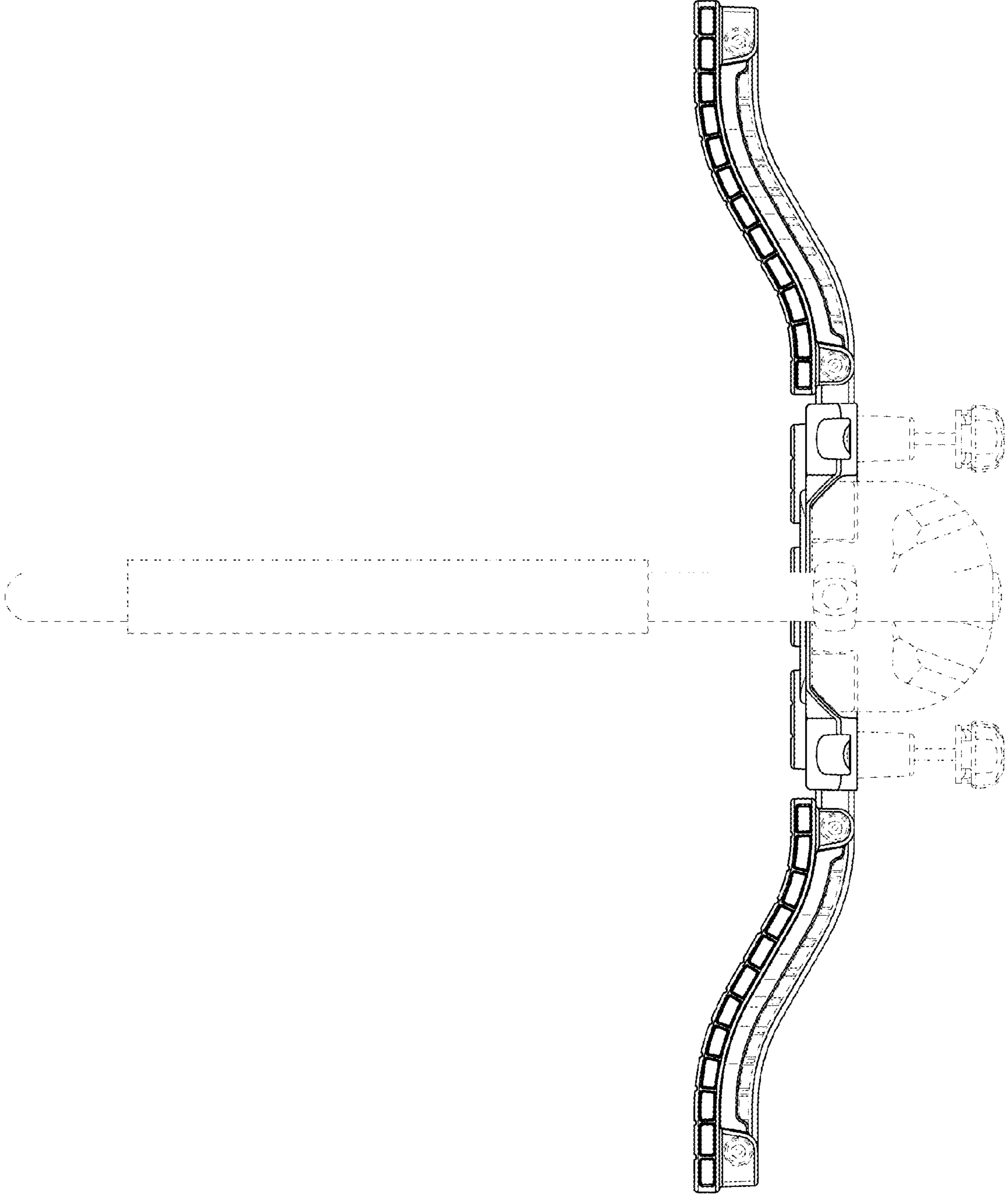


FIG.3

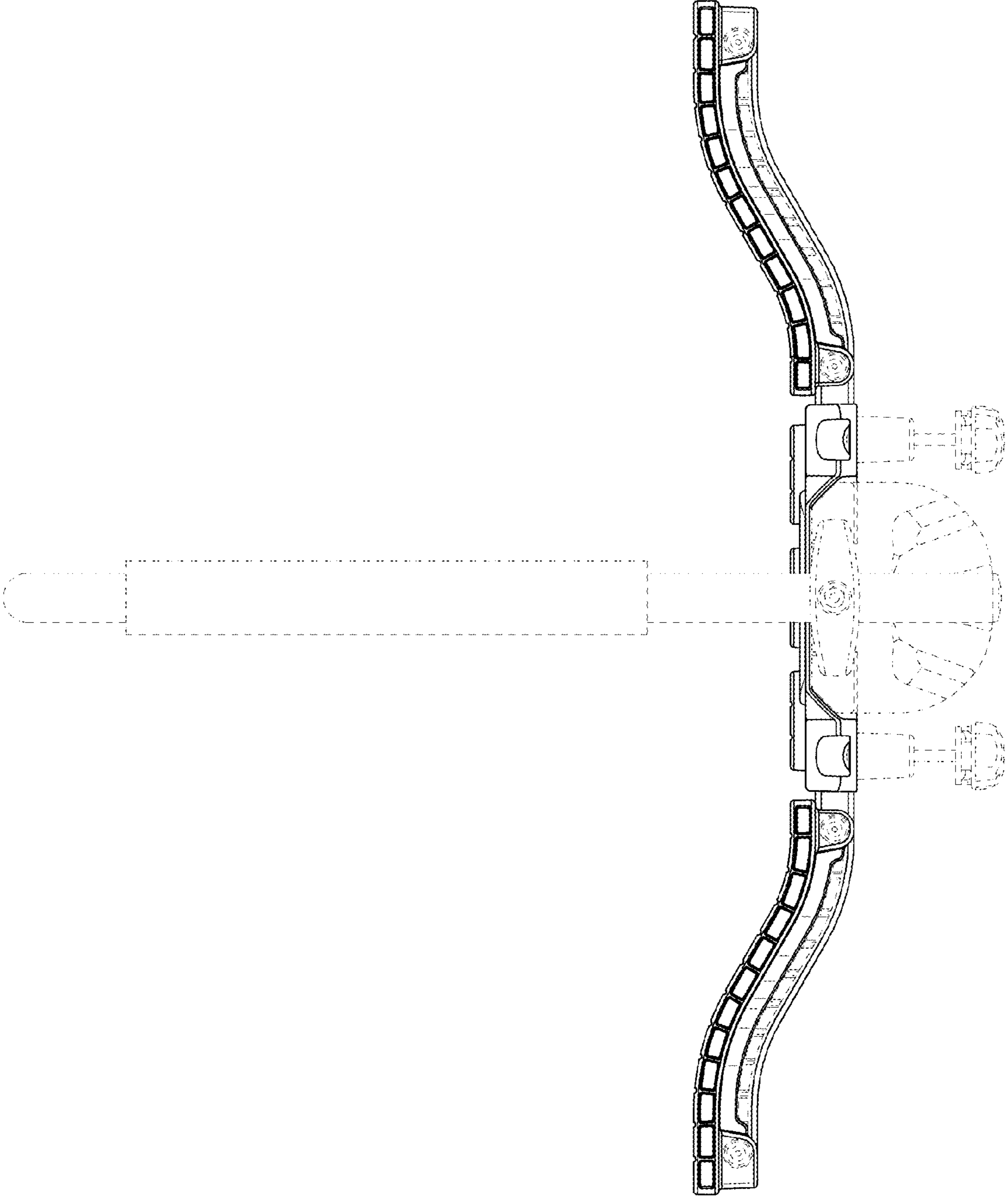


FIG.4

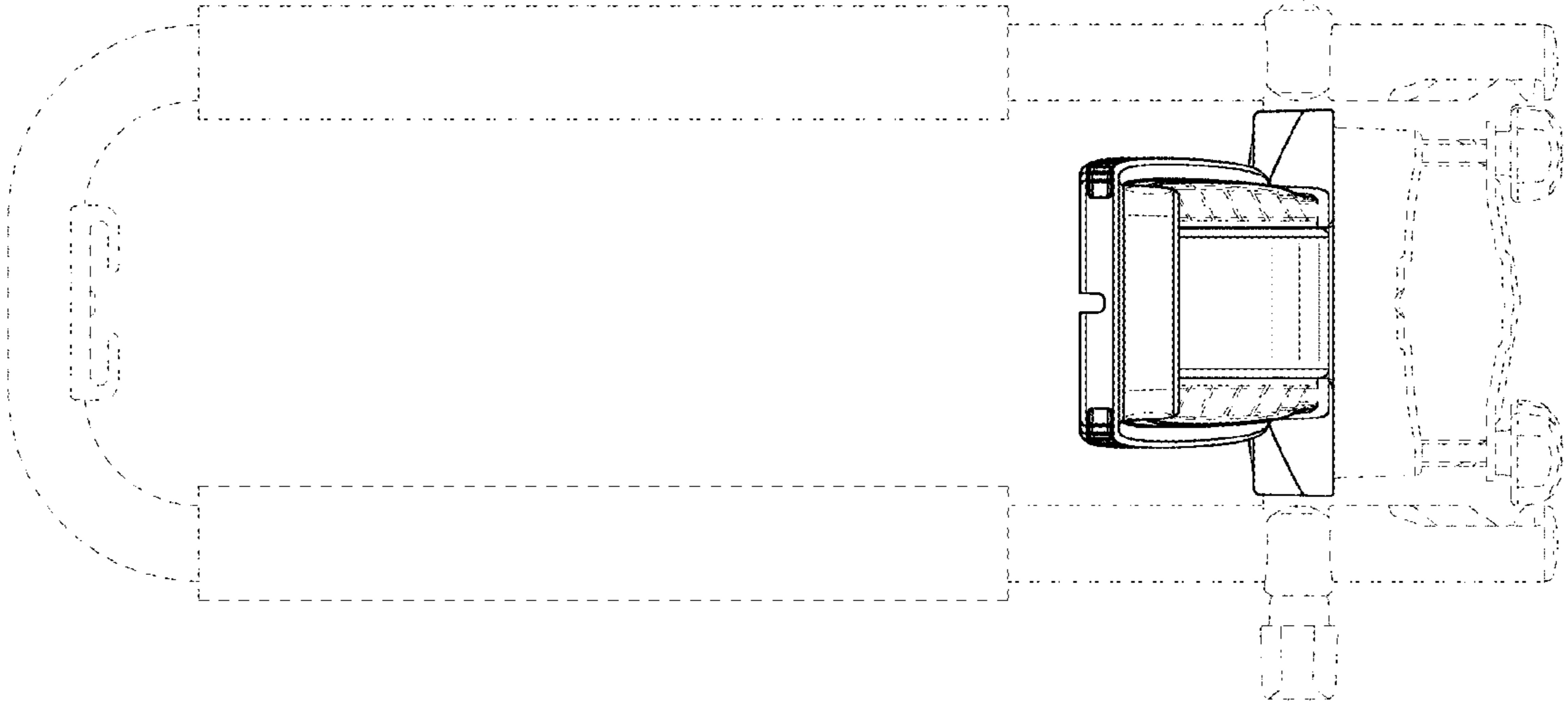


FIG. 5

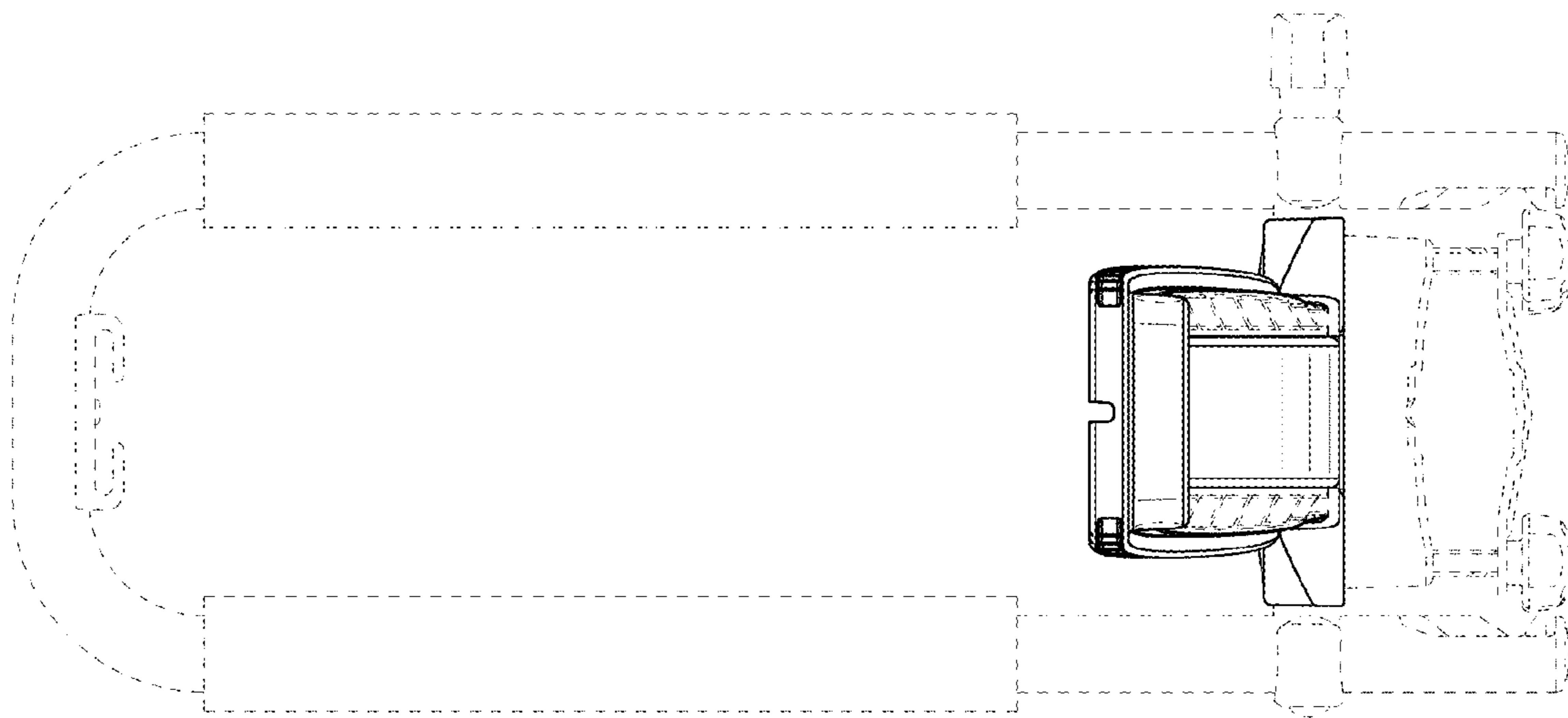


FIG. 6

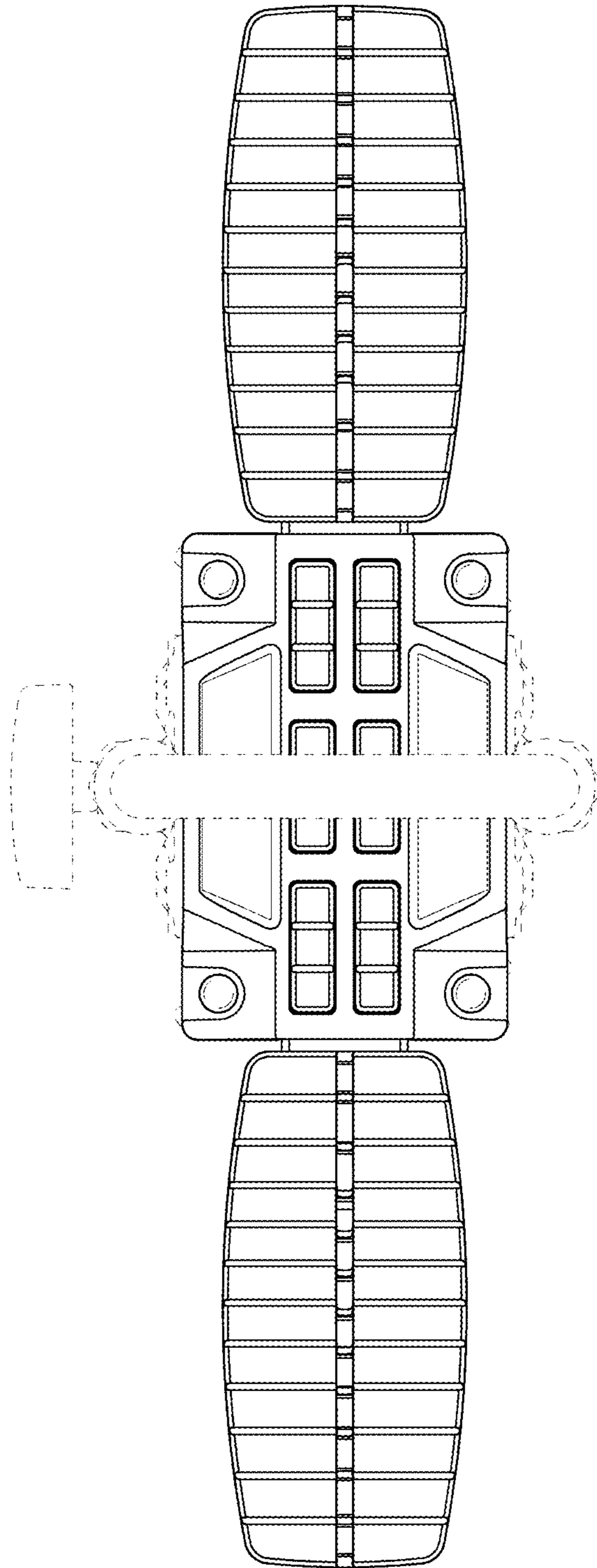


FIG. 7

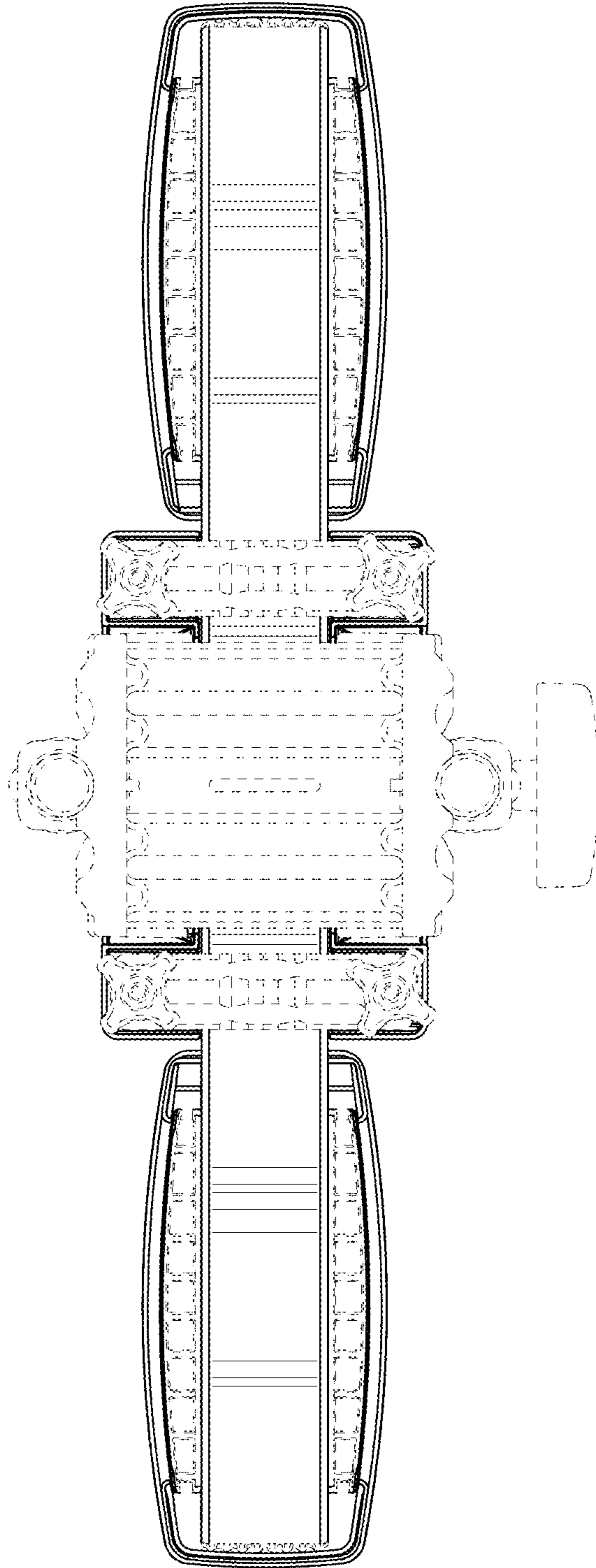


FIG. 8