



US00D873756S

(12) **United States Design Patent**  
**Melville-Brown**

(10) **Patent No.:** **US D873,756 S**

(45) **Date of Patent:** **\*\* Jan. 28, 2020**

(54) **WHEEL**

(71) Applicant: **HONDA MOTOR CO., LTD.**, Tokyo  
(JP)

(72) Inventor: **Guy Thomas Melville-Brown**,  
Manhattan Beach, CA (US)

(73) Assignee: **HONDA MOTOR CO., LTD.**, Tokyo  
(JP)

(\*\*) Term: **15 Years**

(21) Appl. No.: **29/668,369**

(22) Filed: **Oct. 30, 2018**

(51) **LOC (12) Cl.** ..... **12-16**

(52) **U.S. Cl.**  
USPC ..... **D12/209**

(58) **Field of Classification Search**  
USPC ..... D12/204–213  
CPC .... B60B 7/00; B60B 7/02; B60B 7/04; B60B  
7/01; B60B 7/06; B60B 3/02; B60B 3/04;  
B60B 3/06; B60B 3/10; B60B 1/00;  
B60B 1/08; B60B 1/10; B60B 1/12  
See application file for complete search history.

(56) **References Cited**

**U.S. PATENT DOCUMENTS**

D572,186 S	*	7/2008	Viandante	.....	D12/211
D583,742 S	*	12/2008	Juergens	.....	D12/211
D597,015 S	*	7/2009	Juergens	.....	D12/211
D655,234 S	*	3/2012	Zhao	.....	D12/211
D661,239 S	*	6/2012	Pollmann	.....	D12/209
D670,225 S	*	11/2012	Muller	.....	D12/211
D683,685 S	*	6/2013	Pollmann	.....	D12/211
D684,517 S	*	6/2013	Scheinutte	.....	D12/211
D713,773 S	*	9/2014	Scheinutte	.....	D12/209
D723,990 S	*	3/2015	Muntada Roura	.....	D12/209
D726,087 S	*	4/2015	Breyton	.....	D12/211

D733,632 S	*	7/2015	Juergens	.....	D12/211
D746,208 S	*	12/2015	Battams	.....	D12/209
D764,370 S	*	8/2016	Chung	.....	D12/209
D773,369 S	*	12/2016	Rueckheim	.....	D12/211
D789,268 S	*	6/2017	Gallert	.....	D12/209
D790,429 S	*	6/2017	Juergens	.....	D12/211
D791,055 S	*	7/2017	Valencia Pollex	.....	D12/211
D801,906 S	*	11/2017	Burki	.....	D12/211
D825,423 S	*	8/2018	Henderson	.....	D12/209
D828,264 S	*	9/2018	Owens	.....	D12/209
D830,267 S	*	10/2018	Chung	.....	D12/209
D835,560 S	*	12/2018	Hilton	.....	D12/209
D843,909 S	*	3/2019	Gregory	.....	D12/209
D853,302 S	*	7/2019	Khachatryan	.....	D12/209

(Continued)

*Primary Examiner* — Stacia A Cadmus

(74) *Attorney, Agent, or Firm* — Arent Fox LLP

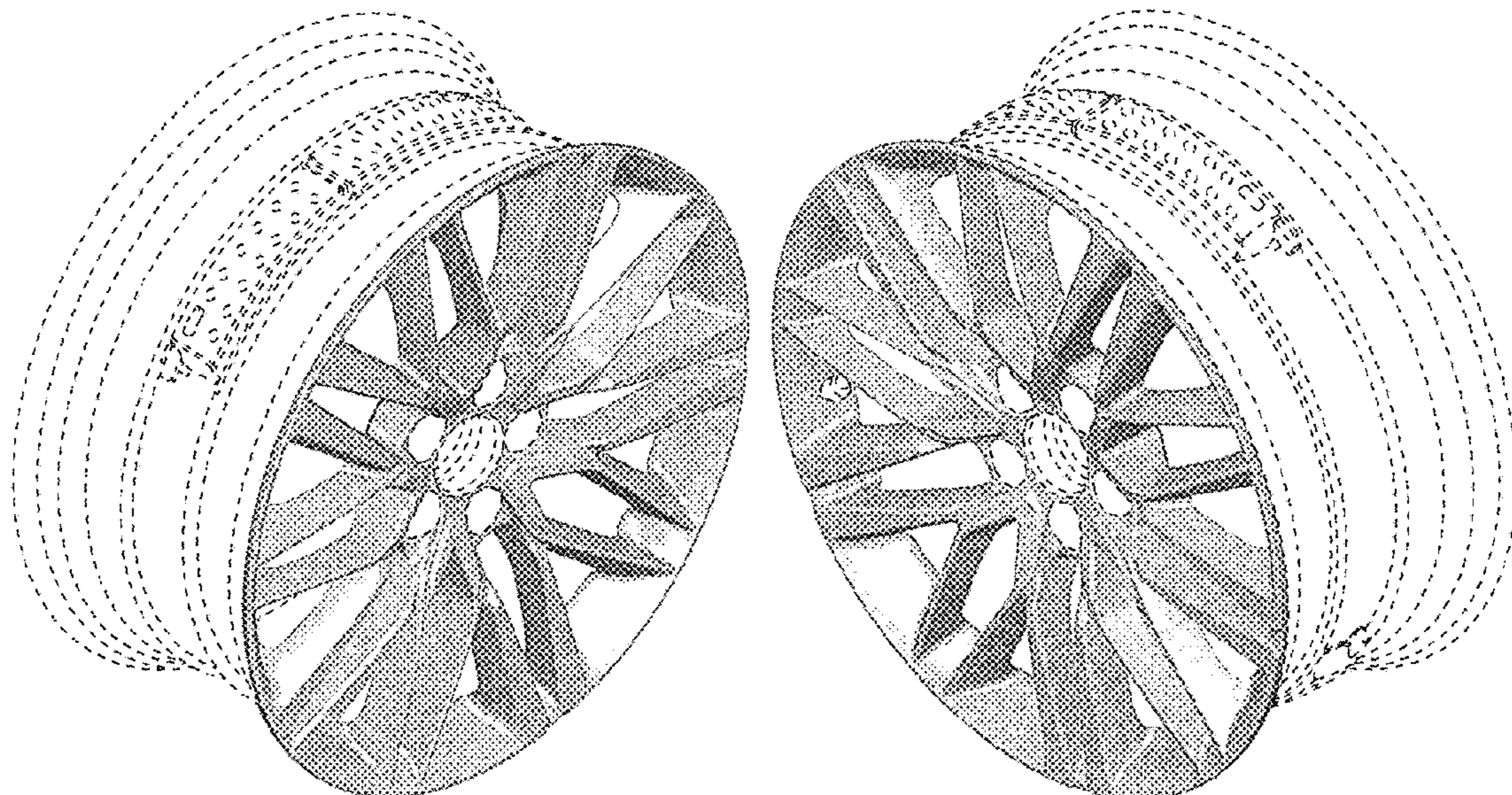
(57) **CLAIM**

The ornamental design for a wheel, as shown and described.

**DESCRIPTION**

FIG. 1 is a front left perspective view of a wheel showing my new design;  
 FIG. 2 is a rear left perspective view of the design shown in FIG. 1;  
 FIG. 3 is a rear right perspective view of the design shown in FIG. 1;  
 FIG. 4 is a front right perspective view of the design shown in FIG. 1;  
 FIG. 5 is a left side view of the design shown in FIG. 1;  
 FIG. 6 is a right side view of the design shown in FIG. 1;  
 FIG. 7 is a rear view of the design shown in FIG. 1;  
 FIG. 8 is a front view of the design shown in FIG. 1;  
 FIG. 9 is a top view of the design shown in FIG. 1; and,  
 FIG. 10 is a bottom view of the design shown in FIG. 1.  
 The broken lines shown in the figures are included for the purpose of illustrating portions of the wheel and form no part of the claimed design.

**1 Claim, 10 Drawing Sheets**



(56)

**References Cited**

U.S. PATENT DOCUMENTS

D853,305 S \* 7/2019 Valencia Pollex ..... D12/209  
D854,485 S \* 7/2019 Rueckheim ..... D12/211

\* cited by examiner

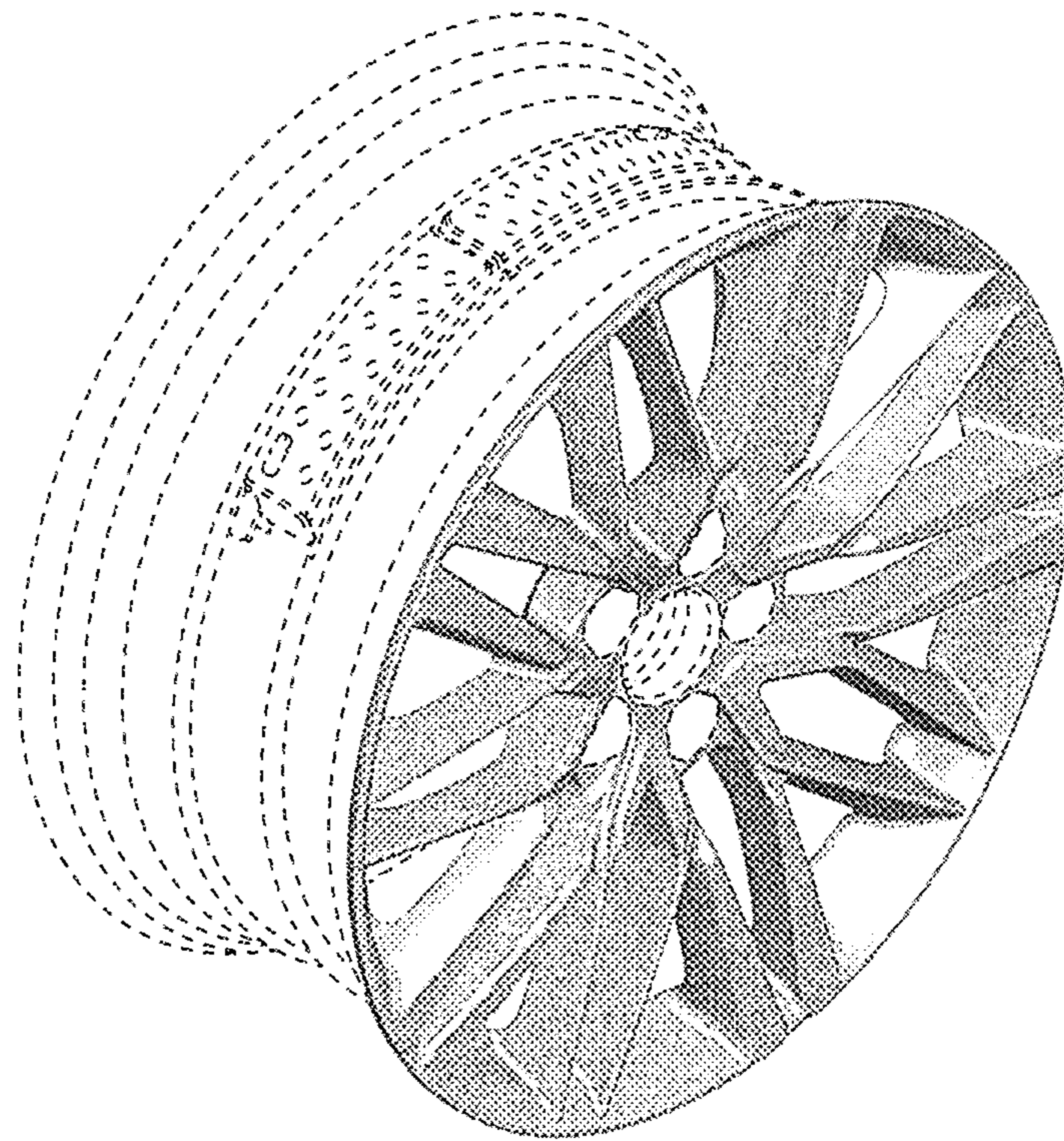


FIG. 1

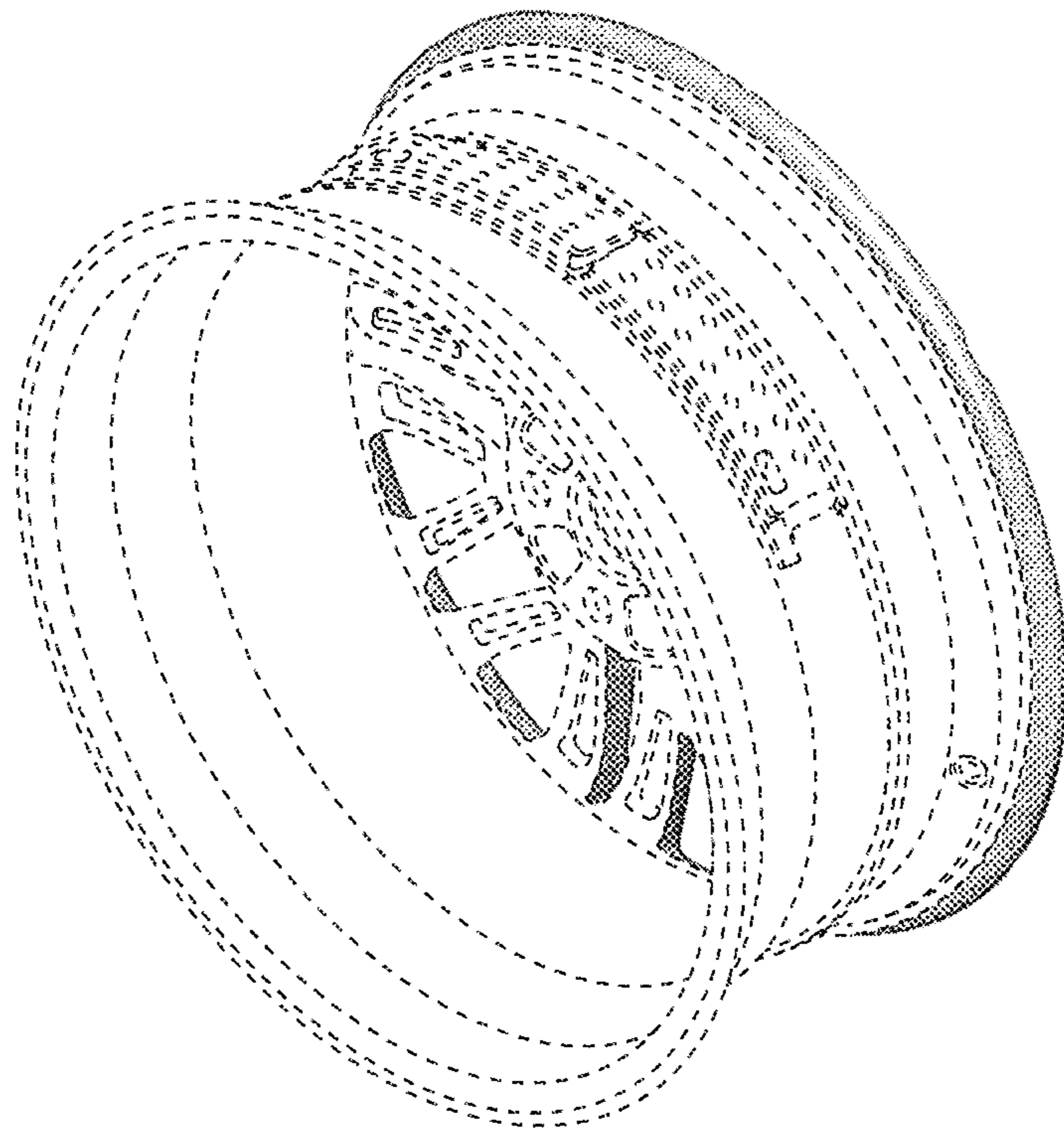


FIG. 2

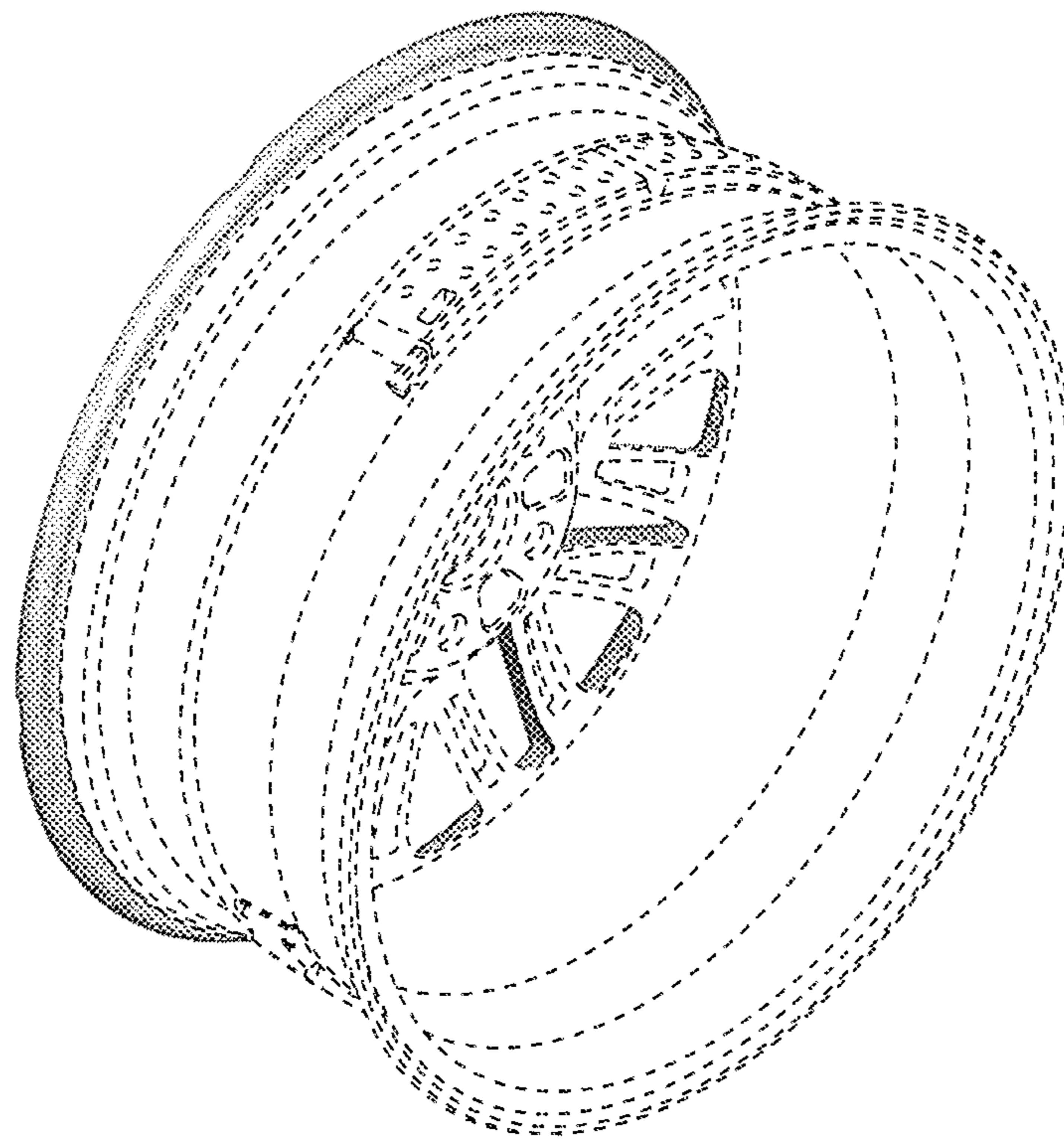


FIG. 3

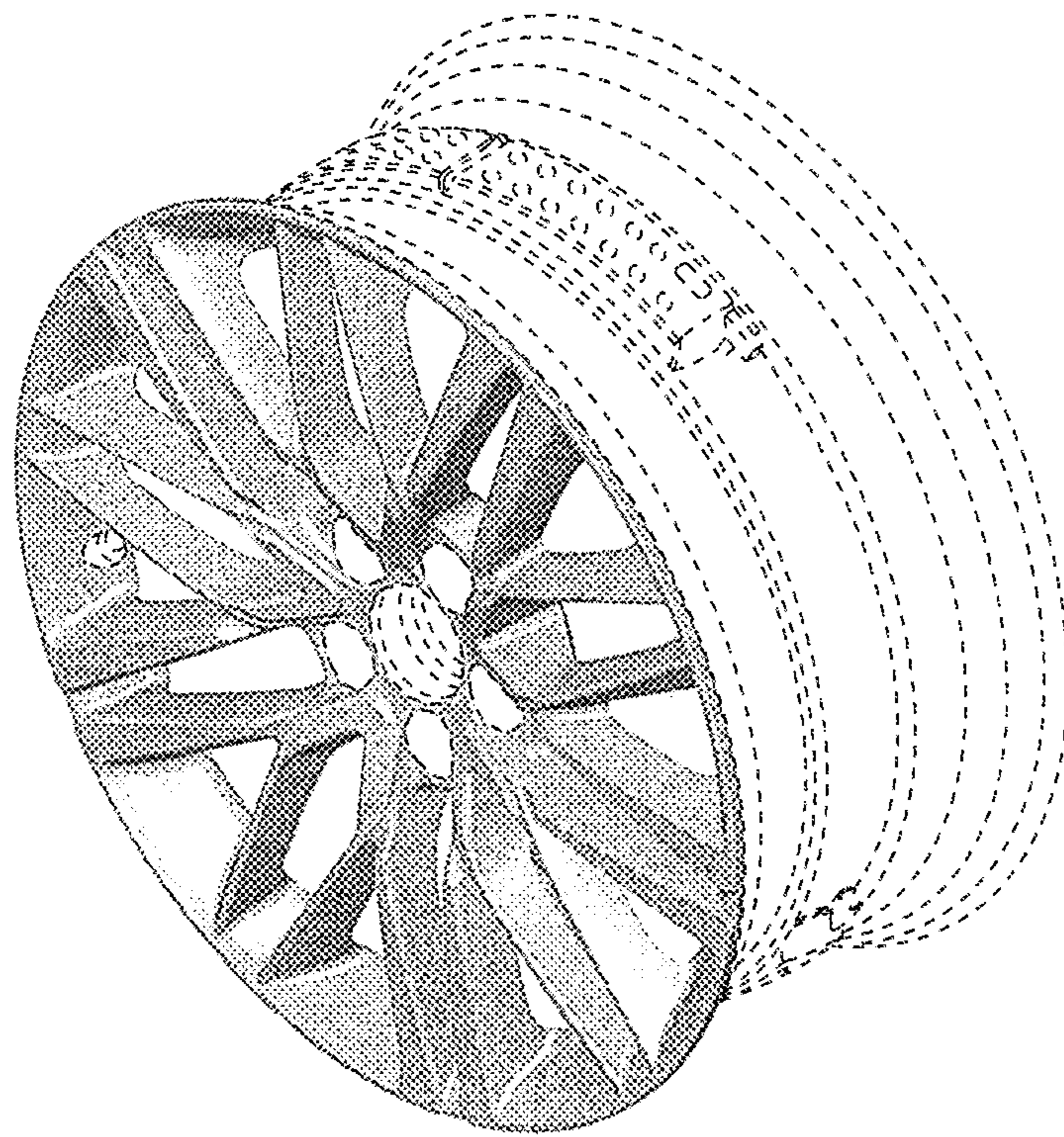


FIG. 4

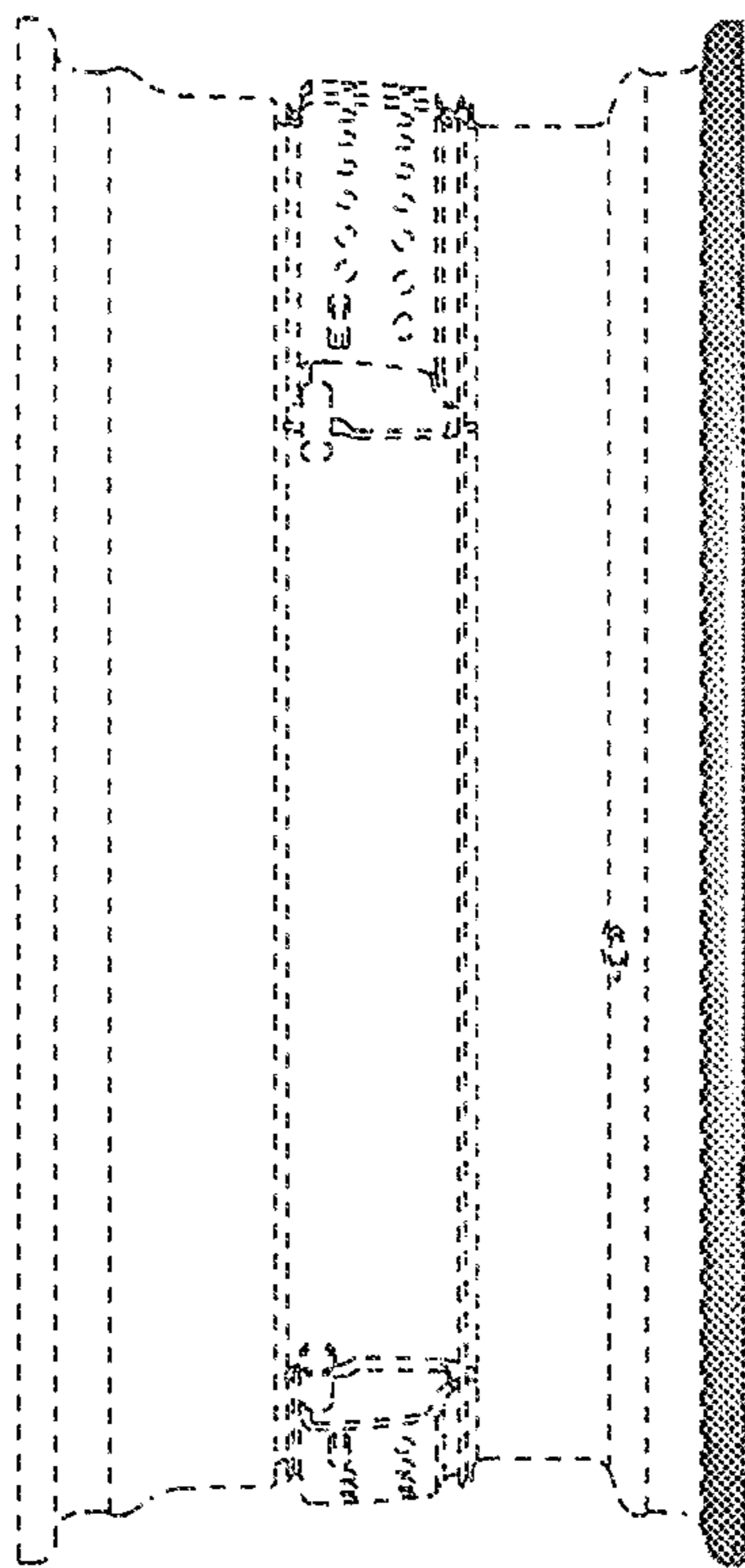


FIG. 5

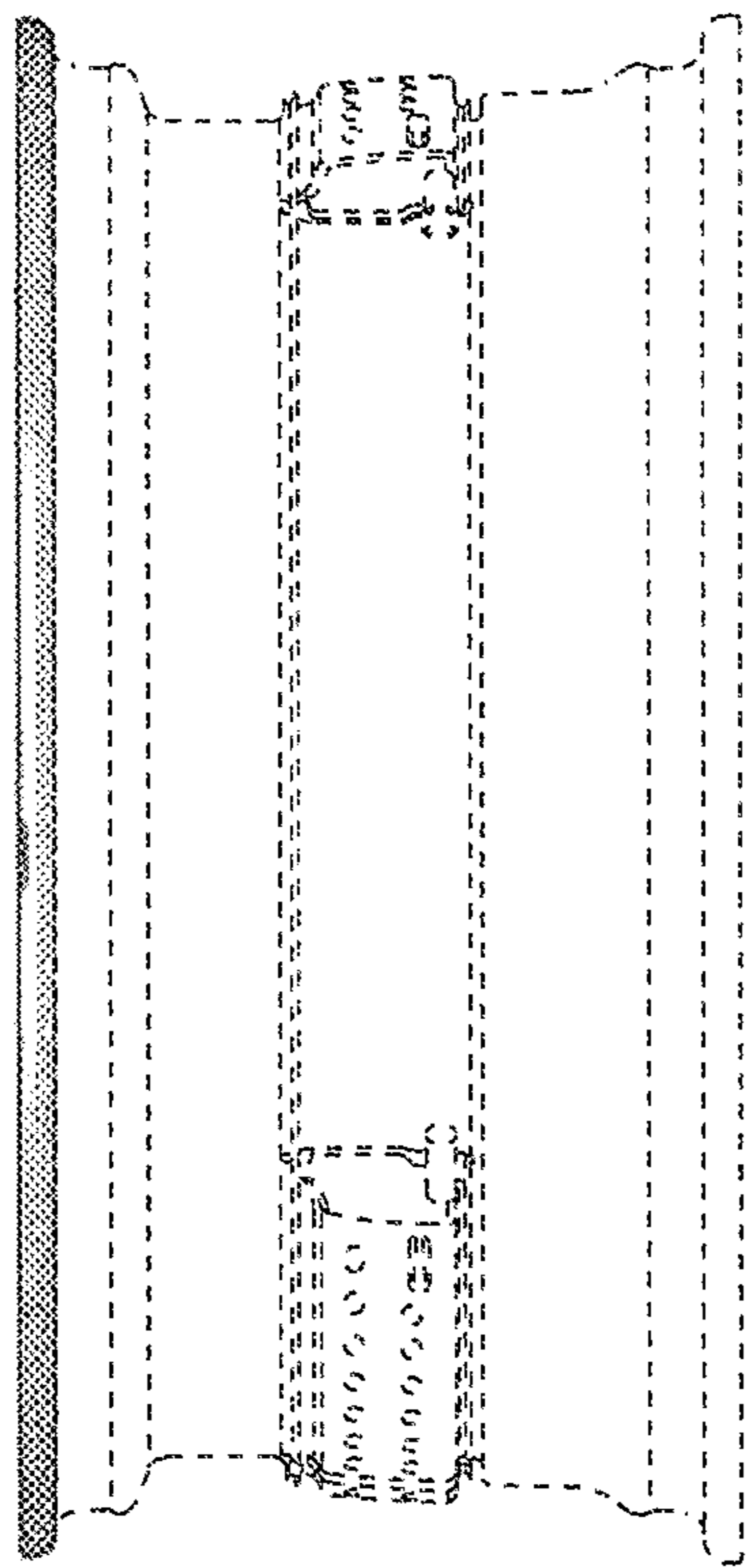


FIG. 6



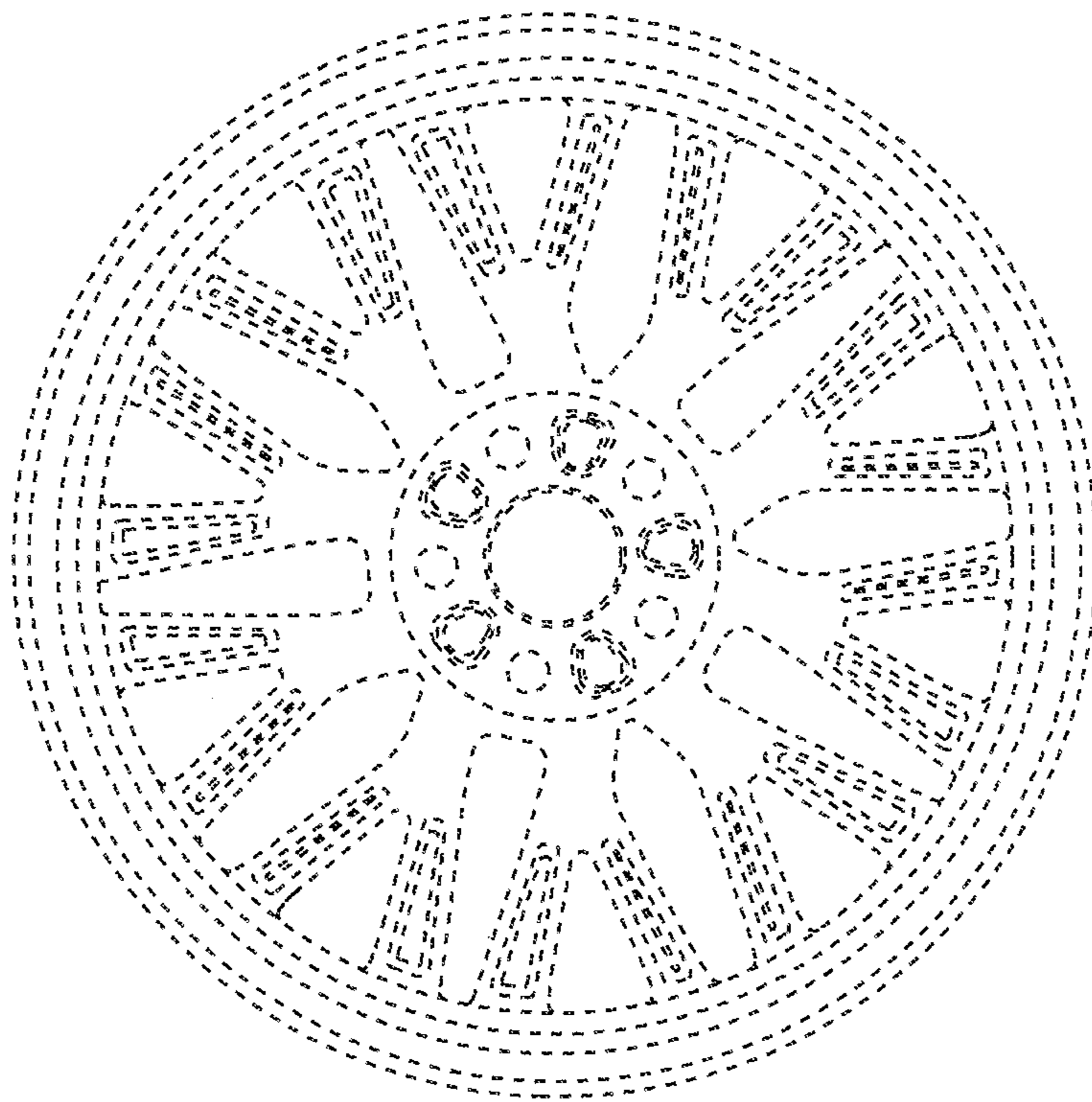


FIG. 7

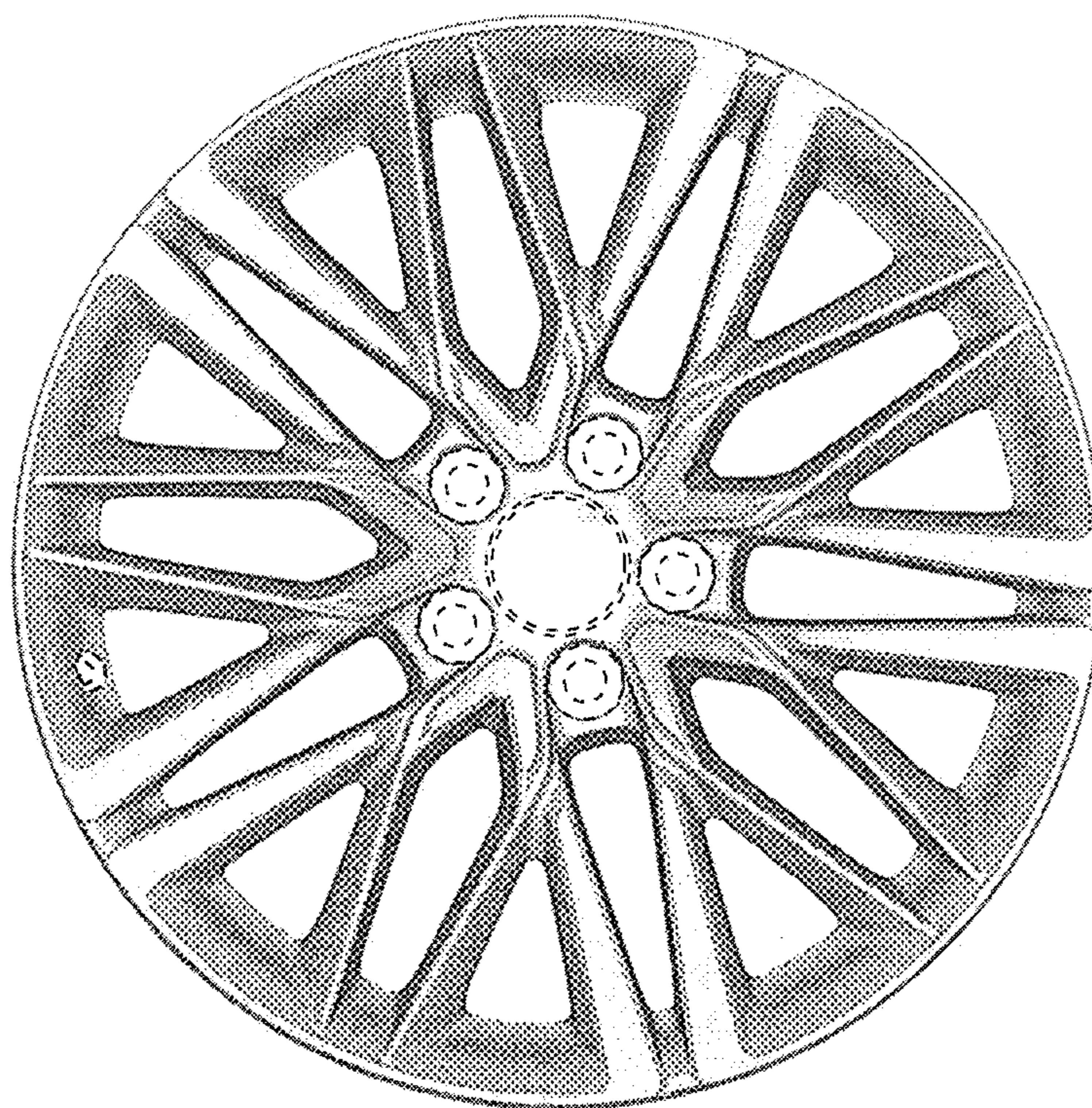


FIG. 8

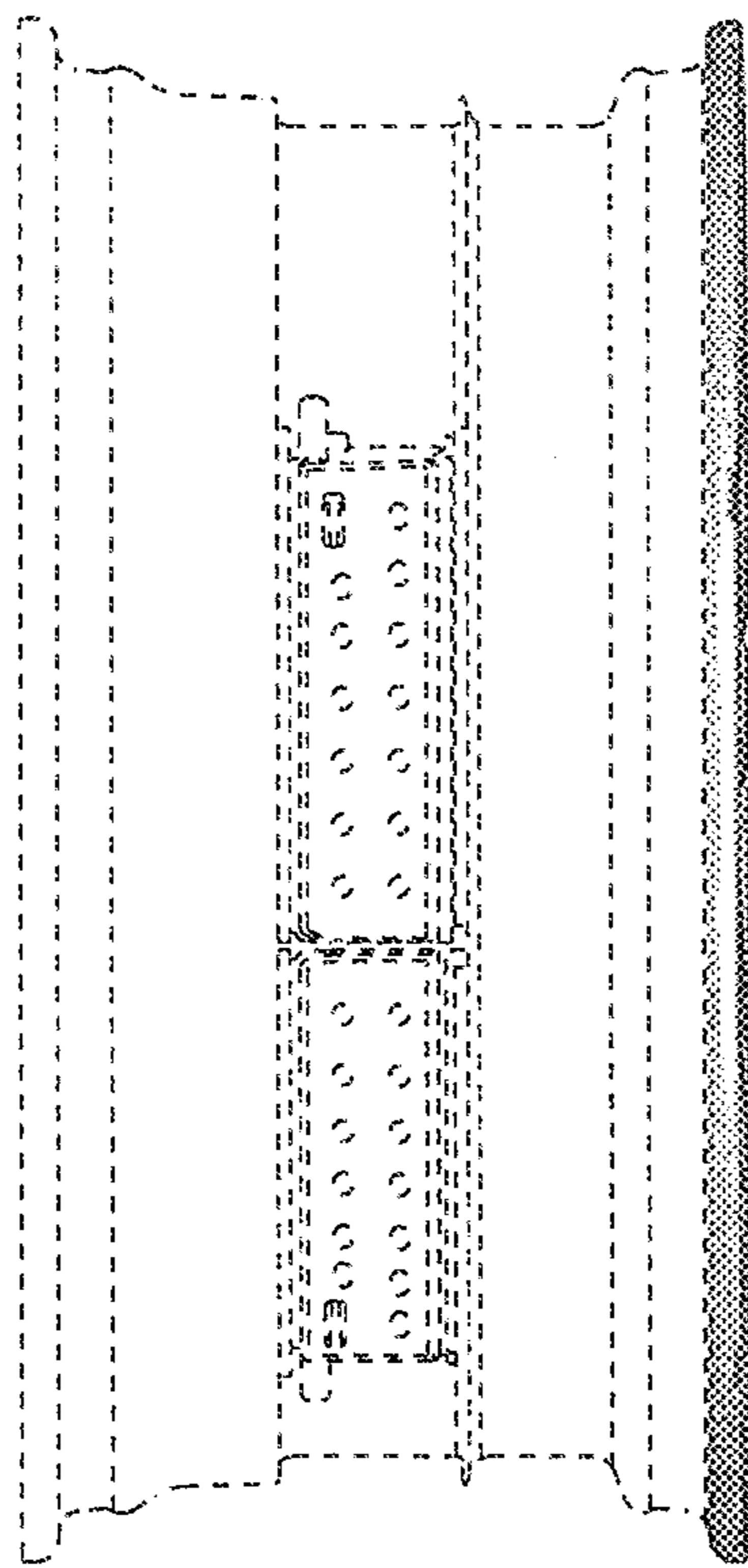


FIG. 9

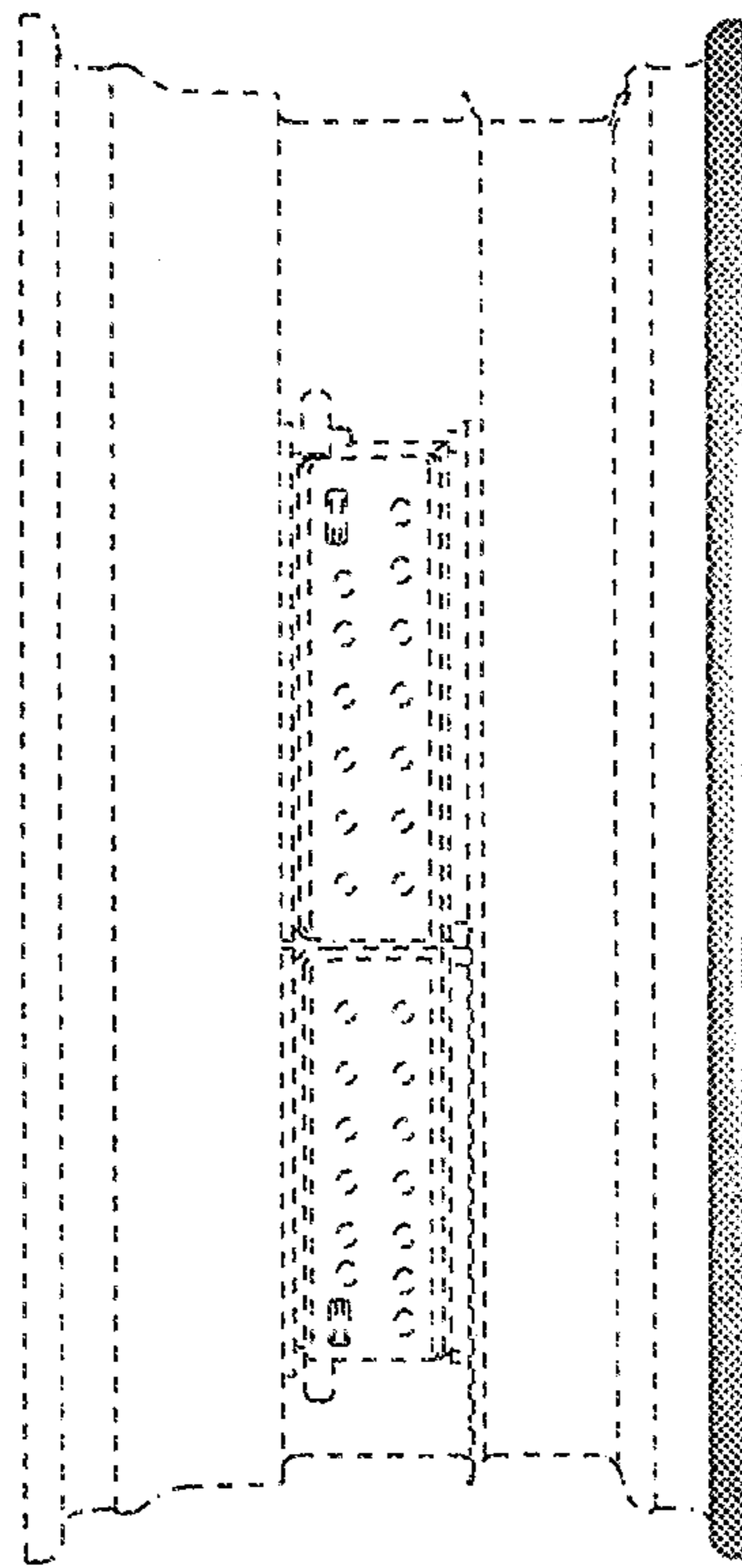


FIG. 10