



US00D873755S

(12) **United States Design Patent**
Buck

(10) **Patent No.:** **US D873,755 S**

(45) **Date of Patent:** **** Jan. 28, 2020**

(54) **WHEEL**

(71) Applicant: **Jaguar Land Rover Limited**, Whitley (GB)

(72) Inventor: **Joe Buck**, Coventry (GB)

(73) Assignee: **Jaguar Land Rover Limited**, Whitley, Coventry (GB)

(**) Term: **15 Years**

(21) Appl. No.: **29/627,052**

(22) Filed: **Nov. 22, 2017**

(30) **Foreign Application Priority Data**

Jun. 24, 2017 (EM) 004360626

(51) **LOC (12) Cl.** **12-16**

(52) **U.S. Cl.**
USPC **D12/209**

(58) **Field of Classification Search**
USPC D12/204–213
CPC B60B 7/00; B60B 7/02; B60B 7/04; B60B 7/01; B60B 7/06; B60B 3/02; B60B 3/04; B60B 3/06; B60B 3/10; B60B 1/00; B60B 1/08; B60B 1/10; B60B 1/12
See application file for complete search history.

(56) **References Cited**

U.S. PATENT DOCUMENTS

D427,558 S * 7/2000 Nepper D12/211
D526,610 S * 8/2006 Muzzarelli D12/211

D620,862 S * 8/2010 Pollmann D12/209
D639,714 S * 6/2011 Baum D12/209
D675,143 S * 1/2013 Gebert D12/209
D708,112 S * 7/2014 Mays D12/211
D715,720 S * 10/2014 Ender D12/211
D780,657 S * 3/2017 Welte D12/211
D780,658 S * 3/2017 Welte D12/211
D792,303 S * 7/2017 Chung D12/209
D805,988 S * 12/2017 Buck D12/209
D808,323 S * 1/2018 Buck D12/209
D810,646 S * 2/2018 Heizmann D12/209
D825,426 S * 8/2018 Myrberg D12/209
D826,128 S * 8/2018 Groth D12/209
D828,799 S * 9/2018 Zschocke D12/209
D836,055 S * 12/2018 Buck D12/209
D844,527 S * 4/2019 Licklitter D12/209
D853,931 S * 7/2019 Khachatryan D12/209

* cited by examiner

Primary Examiner — Stacia A Cadmus

(74) *Attorney, Agent, or Firm* — Wood Herron & Evans LLP

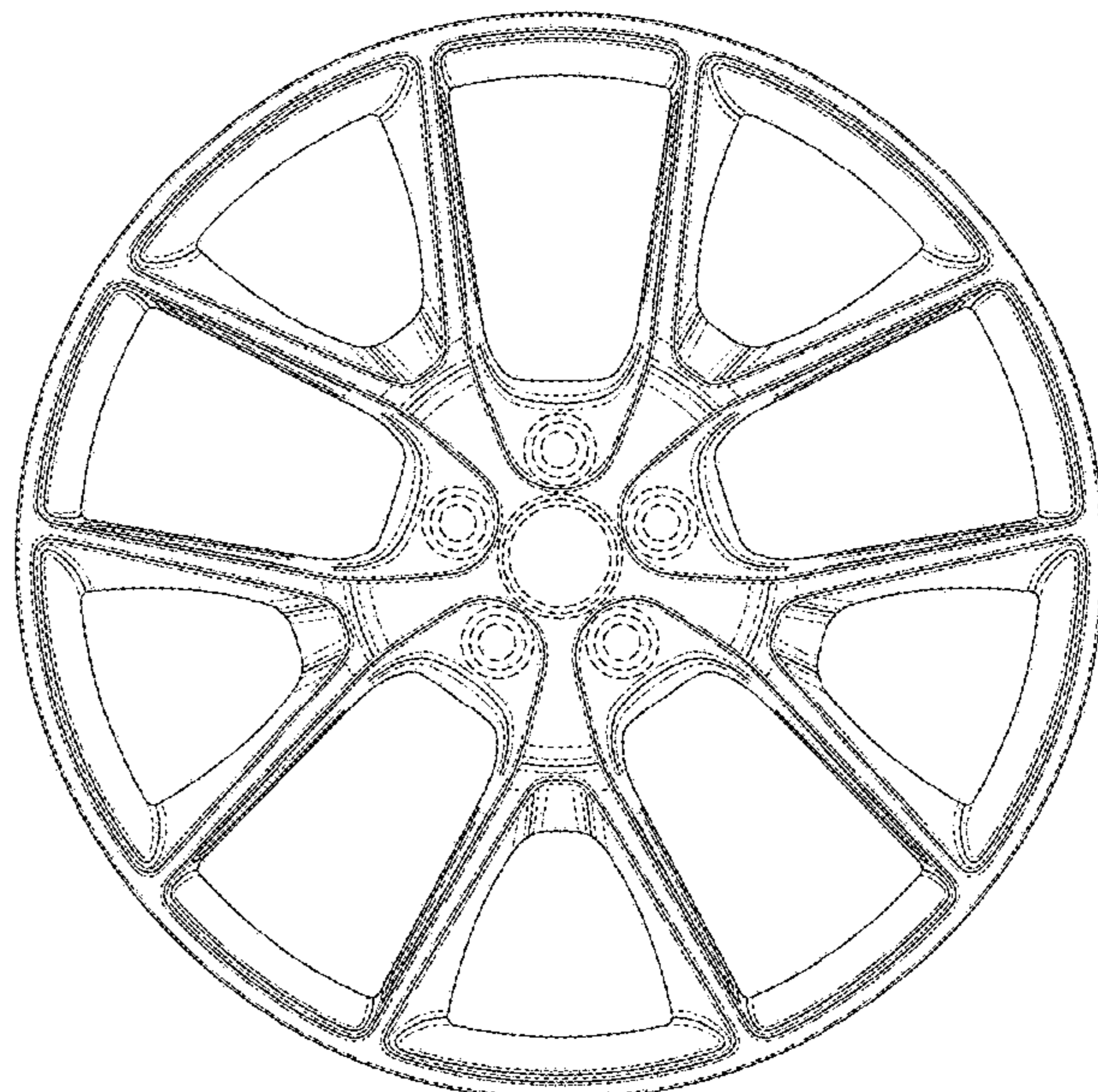
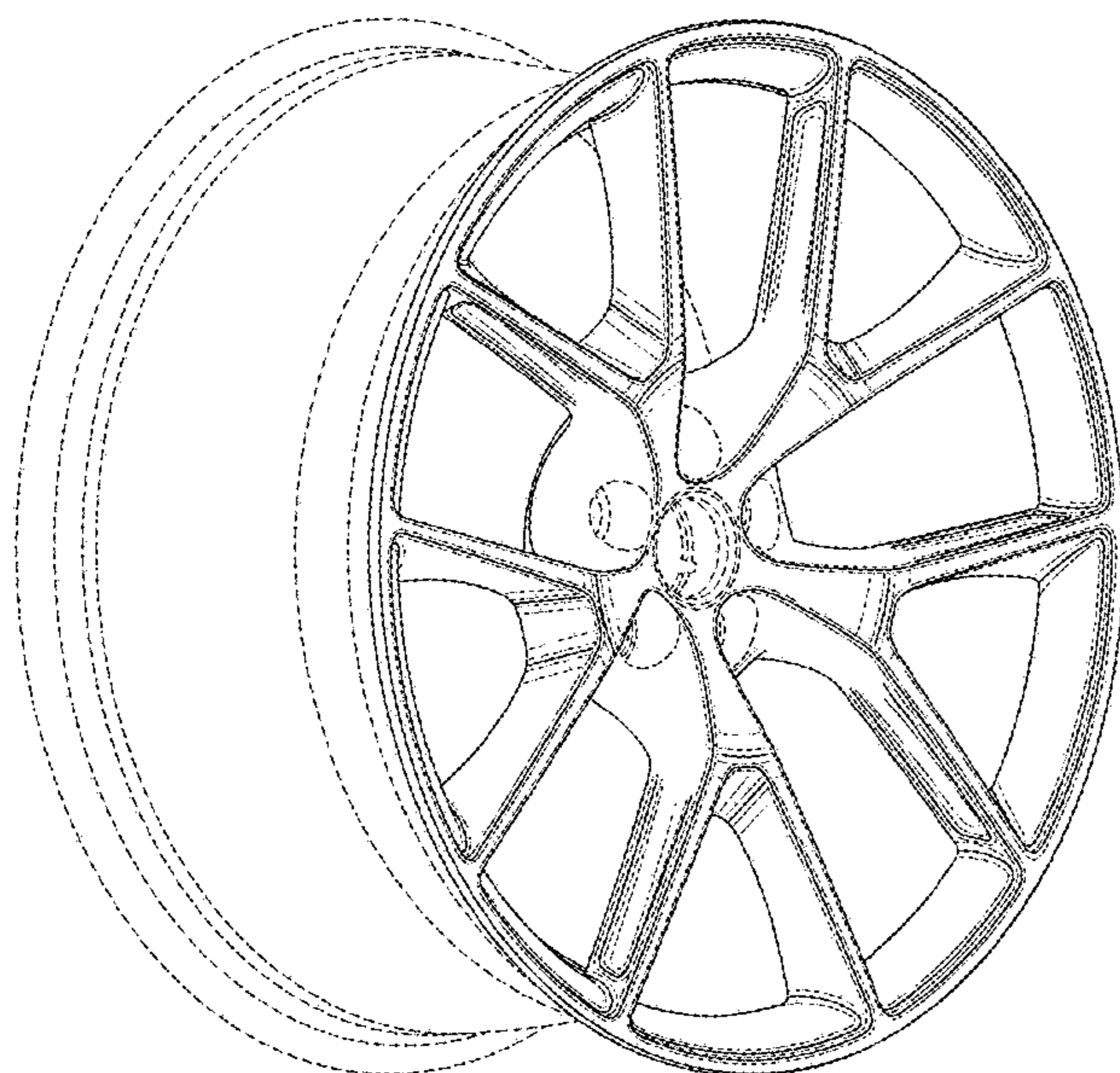
(57) **CLAIM**

The ornamental design for a wheel, as shown and described.

DESCRIPTION

FIG. 1 is a front left perspective view of a wheel for a vehicle according to the present invention; FIG. 2 is a front view thereof; and, FIG. 3 is a left side view thereof. The broken lines show environmental structure and form no part of the claimed design.

1 Claim, 3 Drawing Sheets



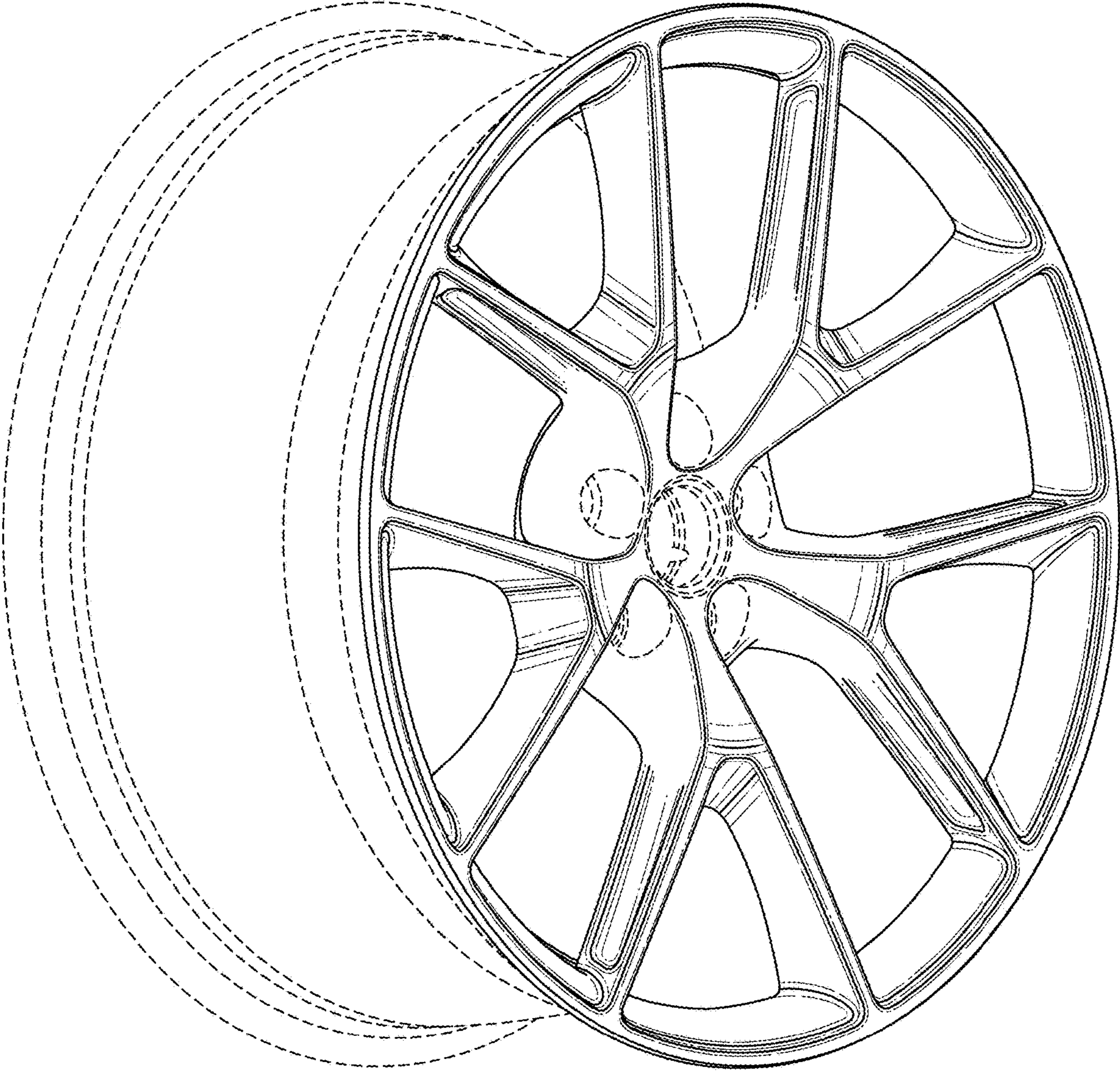


FIG. 1

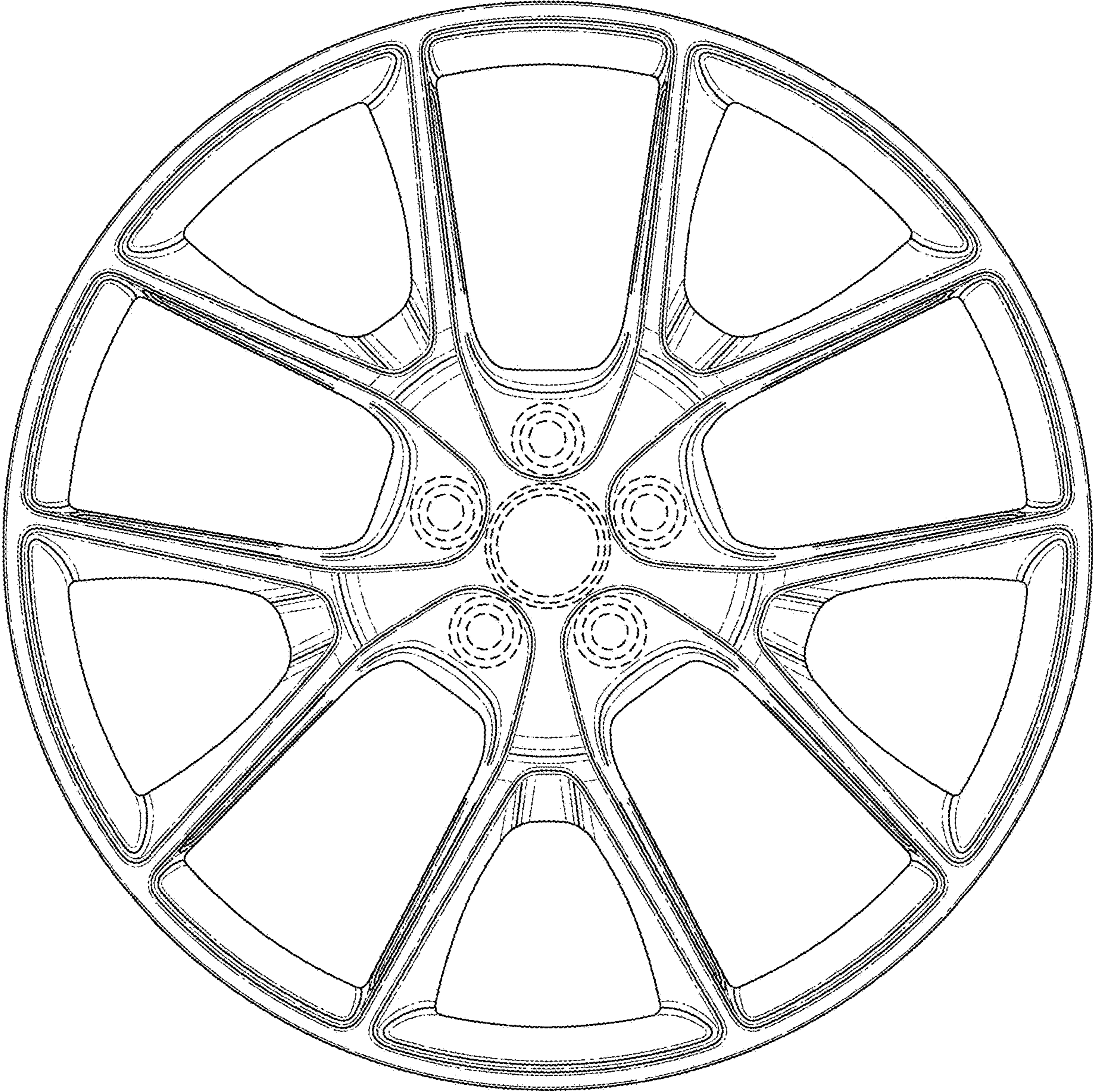


FIG. 2



FIG. 3

UNITED STATES PATENT AND TRADEMARK OFFICE
CERTIFICATE OF CORRECTION

PATENT NO. : D873,755 S
APPLICATION NO. : 29/627052
DATED : January 28, 2020
INVENTOR(S) : Joe Buck

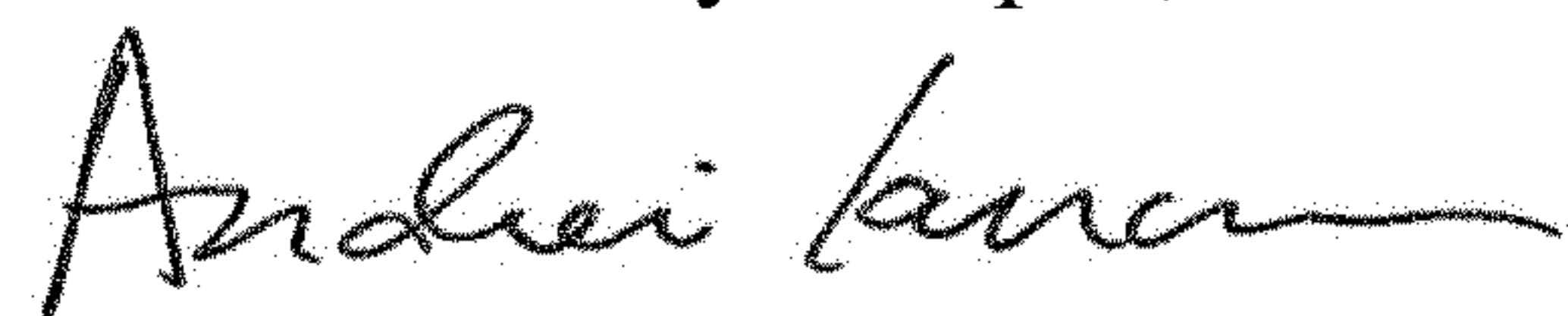
Page 1 of 1

It is certified that error appears in the above-identified patent and that said Letters Patent is hereby corrected as shown below:

On the Title Page

Item (30), Column 1, under "Foreign Application Priority Data", Line 1, "Jun. 24, 2017" should be
---Sept. 18, 2017---

Signed and Sealed this
Seventh Day of April, 2020



Andrei Iancu
Director of the United States Patent and Trademark Office