



US00D873754S

(12) **United States Design Patent**
Johnson

(10) **Patent No.:** **US D873,754 S**
(45) **Date of Patent:** **** Jan. 28, 2020**

(54) **VEHICLE FLOOR LINER**
(71) Applicant: **Husky Liners, Inc.**, Ann Arbor, MI (US)
(72) Inventor: **Kenneth Douglas Johnson**, Derby, KS (US)

D487,193 S 3/2004 Liu
D489,306 S * 5/2004 Kraines D12/203
D495,113 S 8/2004 Lynch et al.
6,794,013 B1 9/2004 Iacovelli et al.
6,817,649 B1 11/2004 Stanesic
D509,174 S * 9/2005 Hussaini D12/203
(Continued)

(73) Assignee: **HUSKY LINERS, INC.**, Ann Arbor, MI (US)

FOREIGN PATENT DOCUMENTS

(**) Term: **15 Years**

JP 01-282081 A 11/1989
JP 07-300041 A 11/1995
(Continued)

(21) Appl. No.: **29/663,010**

OTHER PUBLICATIONS

(22) Filed: **Sep. 11, 2018**

Potentially Related U.S. Pat. No. 8,690,222 issued on Apr. 8, 2014.
(Continued)

(51) **LOC (12) Cl.** **12-16**

(52) **U.S. Cl.**
USPC **D12/203**

(58) **Field of Classification Search**
USPC D12/203, 221; D6/582-586, 592-594
CPC B60N 3/044; B60N 3/04; B60R 13/01
See application file for complete search history.

Primary Examiner — Michelle E. Wilson
Assistant Examiner — Clese Moore, Jr.
(74) *Attorney, Agent, or Firm* — The Dobrusin Law Firm, P.C.

(56) **References Cited**

(57) **CLAIM**

U.S. PATENT DOCUMENTS

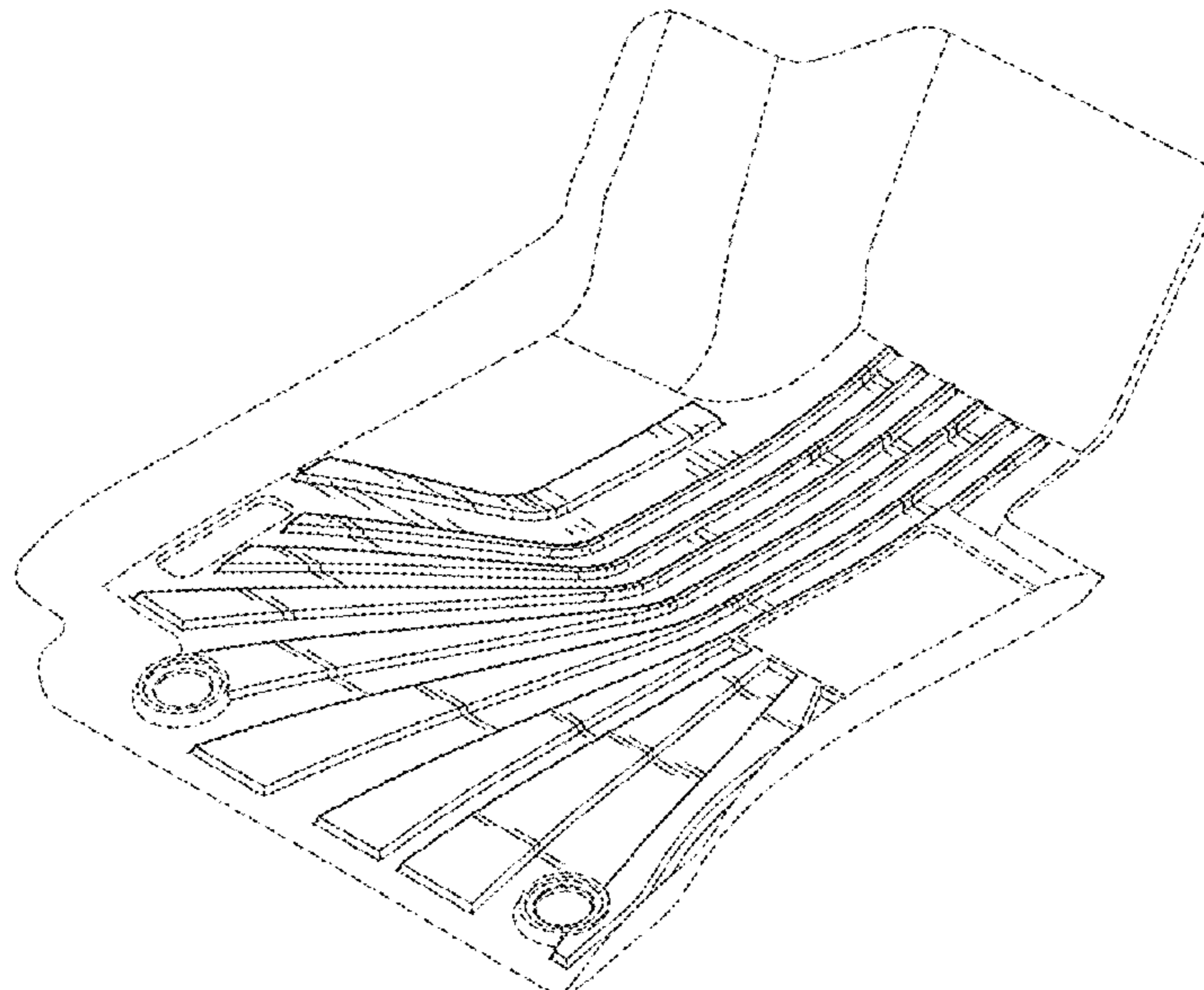
The ornamental design for a vehicle floor liner, as shown and described.

D83,296 S	2/1931	Wilt	
D169,577 S	5/1953	Burtchaell	
D230,971 S	3/1974	Shanklin	
D290,189 S	6/1987	Sakai	
D292,138 S	9/1987	Gatlin	
D310,896 S	9/1990	Winjum	
D325,799 S	4/1992	Chen	
5,330,437 A	7/1994	Durman	
5,384,939 A	1/1995	Weber	
D401,715 S	11/1998	Whiteside et al.	
D408,342 S *	4/1999	Yang	D12/203
5,891,546 A	4/1999	Sherman	
6,027,782 A	2/2000	Sherman	
6,202,261 B1	3/2001	Moore et al.	
D442,530 S *	5/2001	Lu	D12/203
6,497,003 B2	12/2002	Calabrese	

DESCRIPTION

FIG. 1 is a perspective view of the present design.
FIG. 2 is a front elevational view of FIG. 1.
FIG. 3 is a rear elevational view of FIG. 1.
FIG. 4 is a top elevational view of FIG. 1.
FIG. 5 is a bottom elevational view of FIG. 1.
FIG. 6 is a first side elevational view of FIG. 1; and,
FIG. 7 is a second side elevational view of FIG. 1.
The broken lines which define the bounds of the claimed design form no part thereof and are used to show environmental structure.

1 Claim, 5 Drawing Sheets



(56)

References Cited

U.S. PATENT DOCUMENTS

D510,553 S * 10/2005 Hussaini D12/203
 6,953,545 B1 10/2005 Tyler
 D514,493 S * 2/2006 MacNeil D12/203
 D521,206 S 5/2006 Obbitts et al.
 D521,708 S 5/2006 Obbitts et al.
 D522,428 S * 6/2006 MacNeil D12/203
 D529,852 S * 10/2006 Thom D12/203
 7,293,783 B2 11/2007 Whiteside et al.
 7,316,847 B2 1/2008 MacNeil
 7,329,451 B2 2/2008 Putt et al.
 7,401,837 B2 7/2008 MacNeil
 7,444,748 B2 11/2008 MacNeil
 7,546,661 B2 6/2009 Connor
 7,607,713 B2 10/2009 MacNeil
 7,686,371 B2 3/2010 MacNeil
 7,776,422 B2 8/2010 Alford
 7,891,151 B2 2/2011 Sano
 D647,446 S 6/2011 Jeackjuntra et al.
 D647,447 S 10/2011 Lu
 D648,253 S * 11/2011 Lu D12/203
 8,080,302 B2 12/2011 Gifford et al.
 8,122,567 B2 2/2012 Connor
 D656,875 S * 4/2012 MacNeil D12/203
 8,402,605 B2 3/2013 Courtin et al.
 8,658,269 B1 2/2014 Parkes et al.
 8,690,222 B2 4/2014 Johnson et al.
 8,851,551 B1 * 10/2014 Kaufman B60N 3/046
 16/4
 D758,760 S * 6/2016 Mauro D12/203
 D770,956 S * 11/2016 Yang D12/203
 D782,382 S * 3/2017 Jaimes D12/203
 D799,392 S * 10/2017 Lu D12/203
 D800,041 S * 10/2017 Alesi D12/203
 D800,623 S * 10/2017 Alesi D12/203
 D801,248 S * 10/2017 Zheng D12/203
 D804,386 S * 12/2017 Tan D12/203
 D813,776 S * 3/2018 Jaimes D12/203
 9,937,842 B2 * 4/2018 Chavez Martinez .. B60N 3/048

2004/0224130 A1 11/2004 Melucci et al.
 2006/0091694 A1 * 5/2006 MacNeil B60N 3/044
 296/97.23
 2010/0212119 A1 8/2010 Dendo
 2012/0251740 A1 * 10/2012 Bouchard B60N 3/044
 428/34.1
 2013/0171419 A1 * 7/2013 Tyler B60N 3/044
 428/167
 2018/0086243 A1 * 3/2018 Johnson B60N 3/046
 2018/0197460 A1 * 7/2018 Johnson B60N 3/048

FOREIGN PATENT DOCUMENTS

JP 11-268570 A 10/1999
 JP 2004-017946 A 1/2004
 JP 2004-122901 A 4/2004
 JP 2005-146555 A 6/2005
 JP 2011-121538 A 6/2011
 JP 2011-195071 A 10/2011

OTHER PUBLICATIONS

Potentially Related U.S. Appl. No. 29/622,086, filed Oct. 13, 2017.
 WeatherTech All-Weather Floor Mats (<https://www.weathertech.com/floor-mats-all-weather/>) (Last Accessed Jul. 3, 2018).
 WeatherTech AVM Heavy Duty Semi-Universal Floor Mats (<https://www.weathertech.com/all-vehicle-mats-avm-hd/>) (Last Accessed Jul. 3, 2018).
 Picture of a JEEP floor mat (Last Accessed Sep. 2, 2008).
 WeatherTech, All-Weather Floor Mats, WeatherTech.com (Last Accessed Oct. 5, 2007).
 WeatherTech, FloorLiner, WeatherTech.com (Last Accessed Oct. 19, 2007).
 WeatherTech, Customer Feedback, WeatherTech.com (Last Accessed Dec. 11, 2007).
 International Search Report and Written Opinion Application No. PCT/US2009/052962 dated Mar. 16, 2010.

* cited by examiner

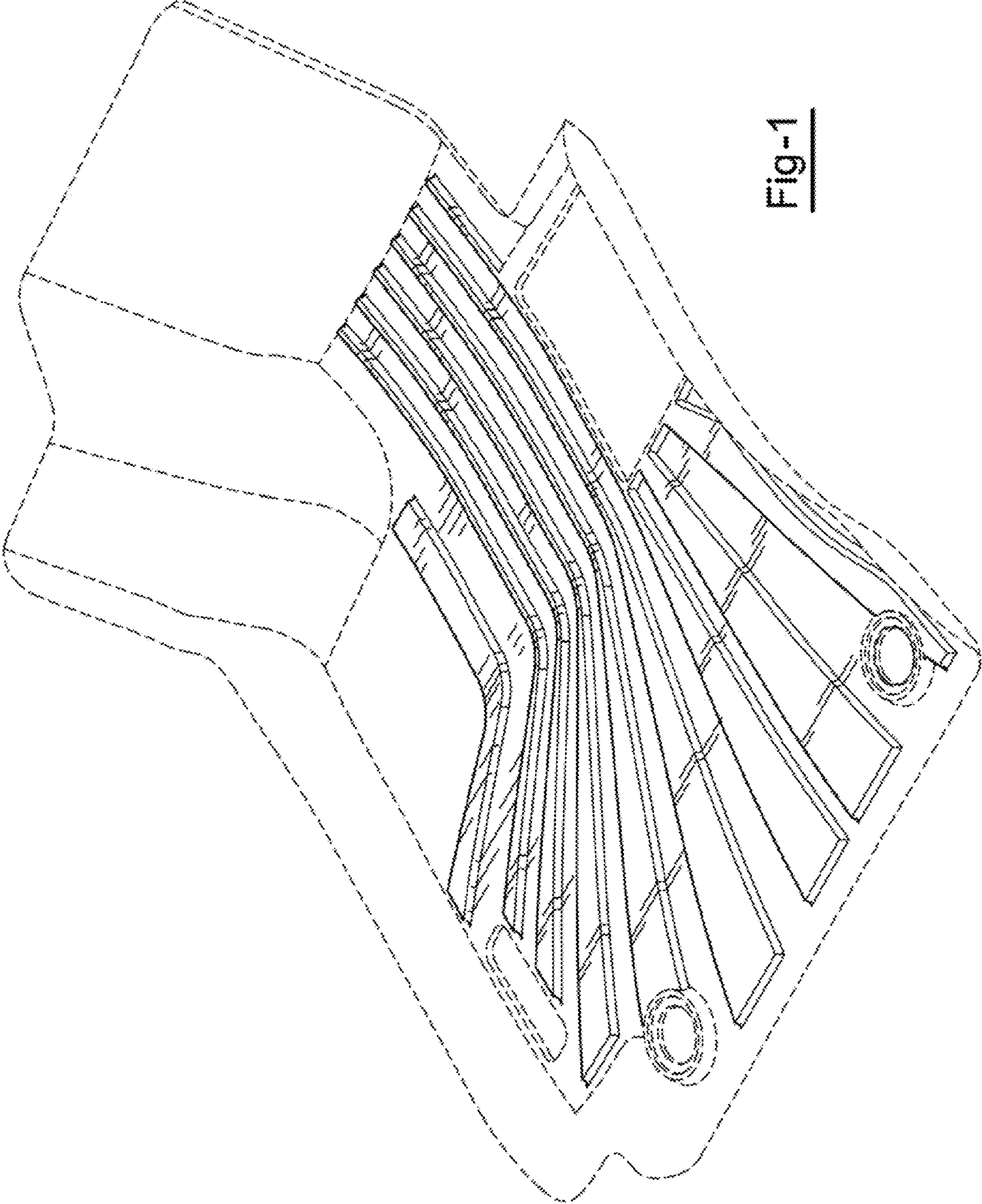


Fig-1

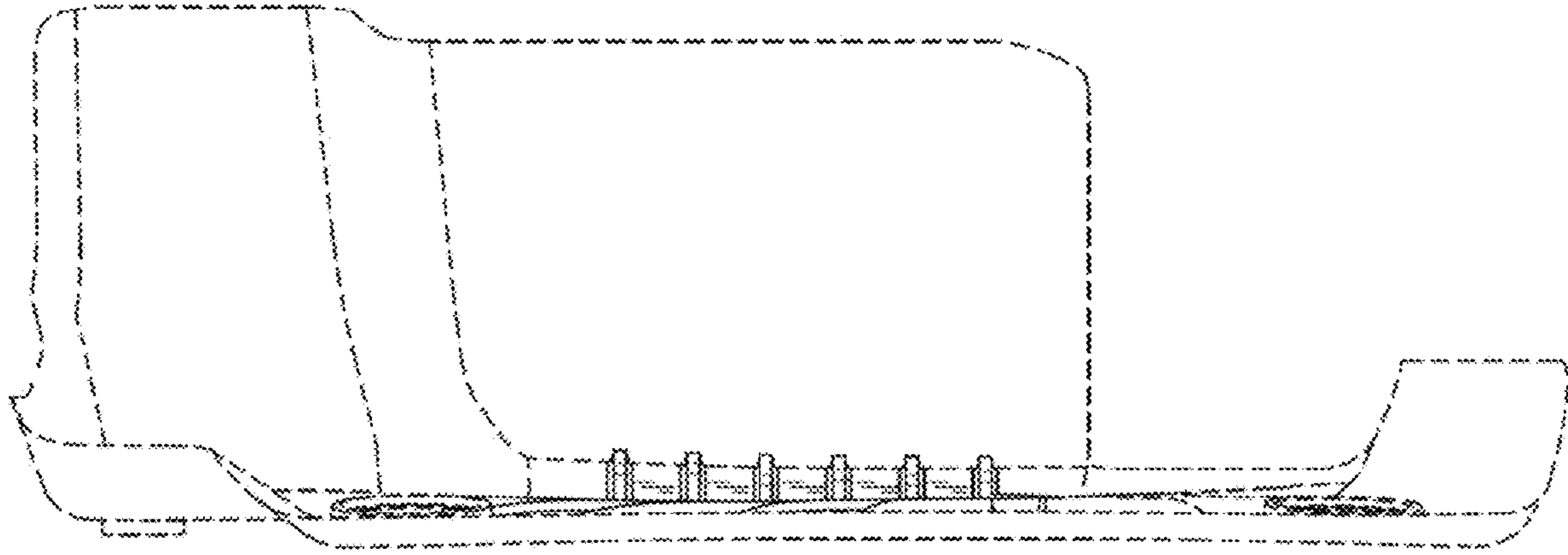


Fig-2

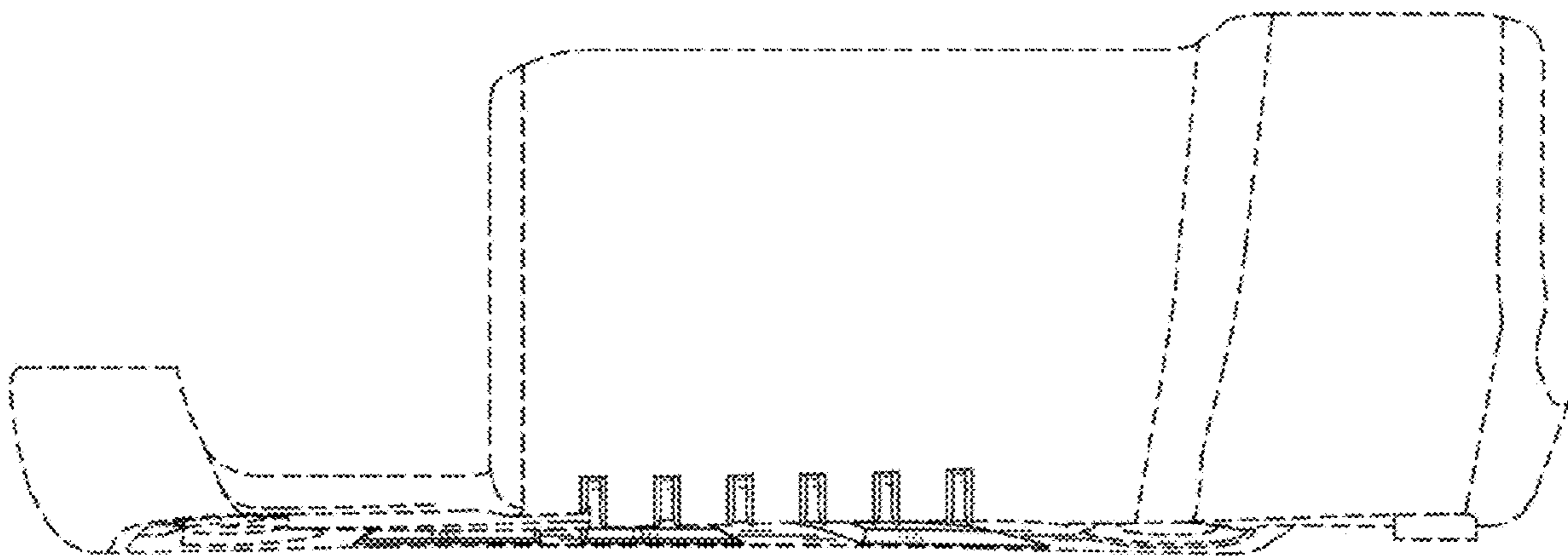


Fig-3

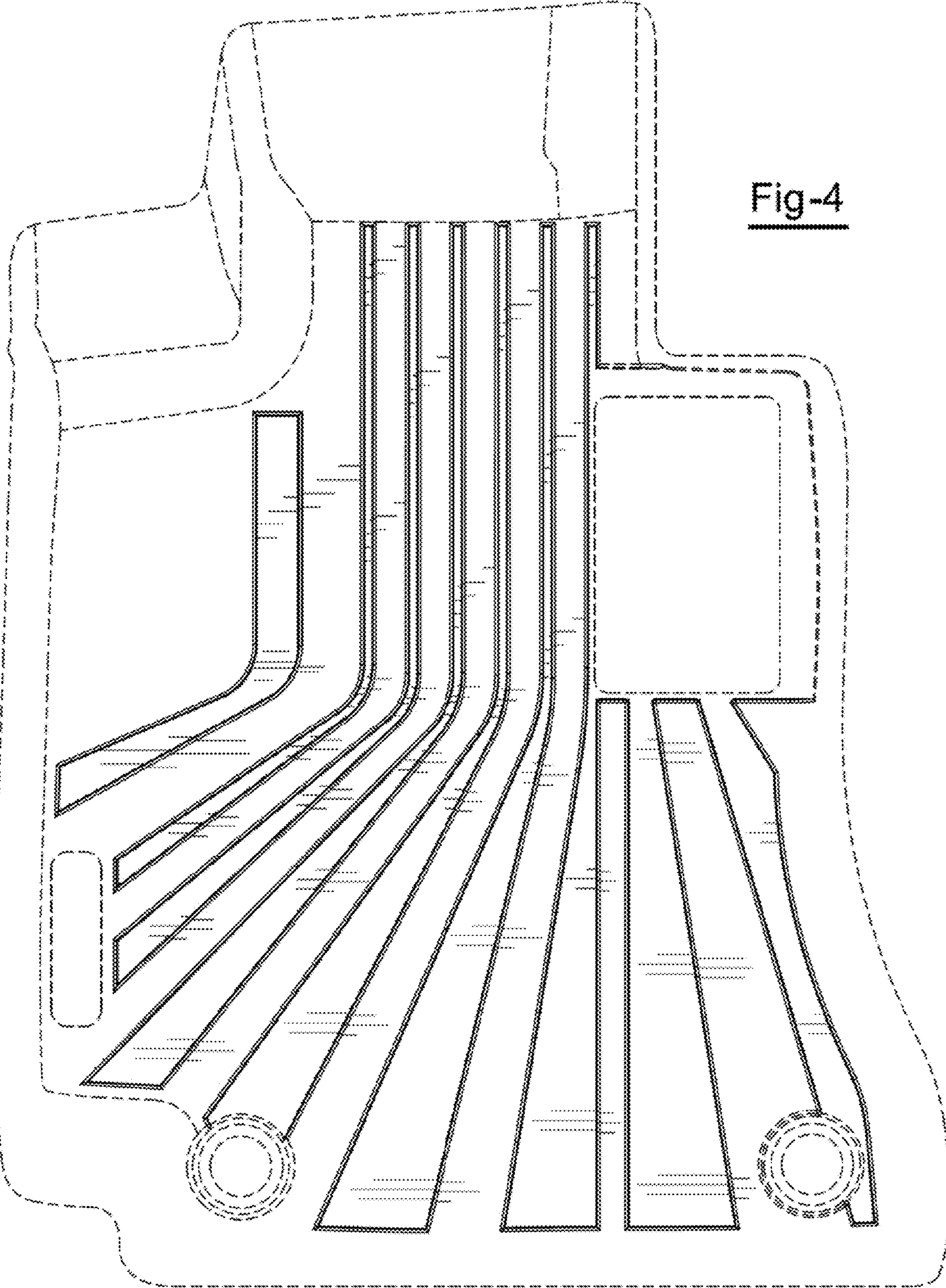


Fig-4

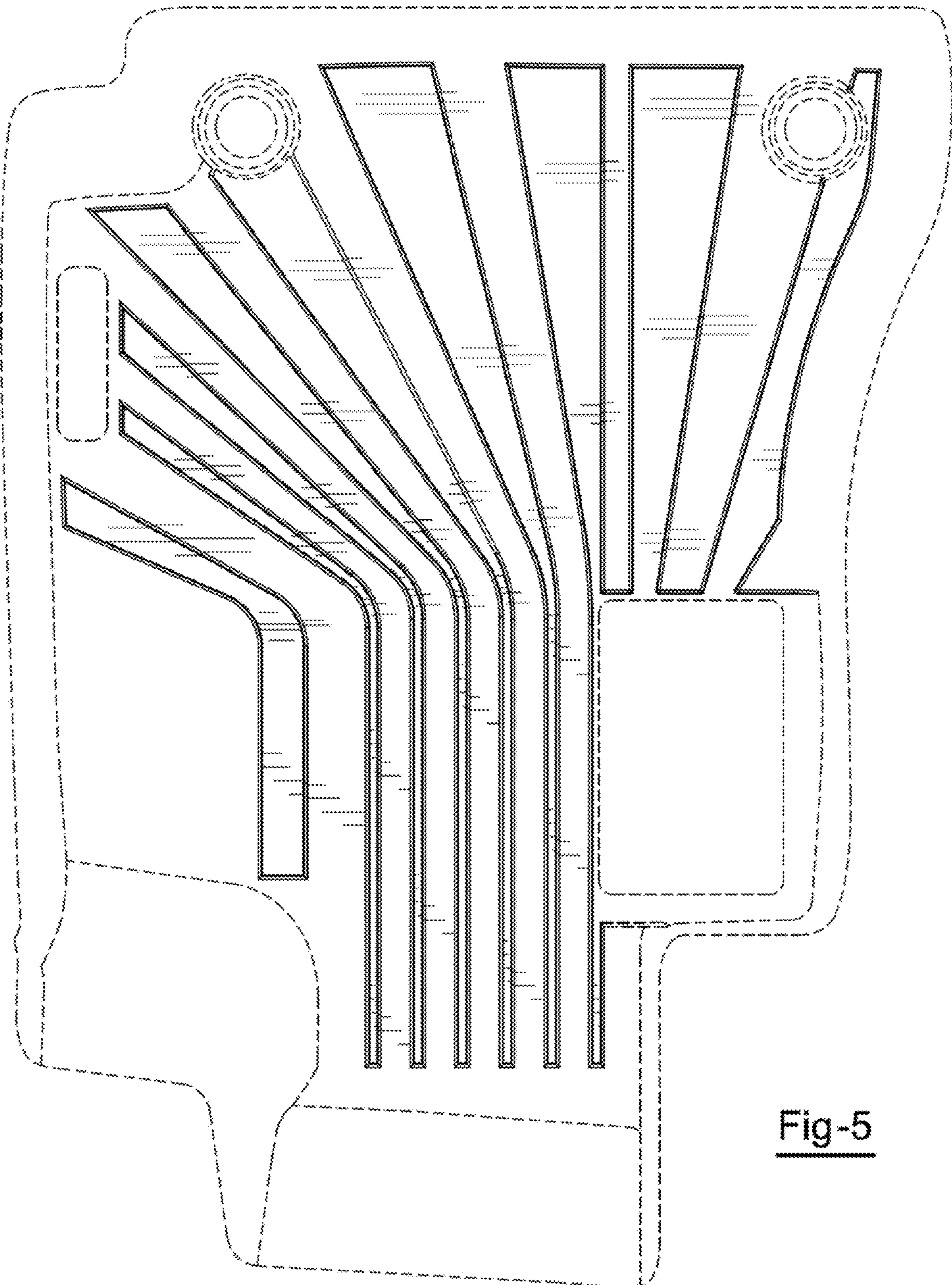


Fig-5

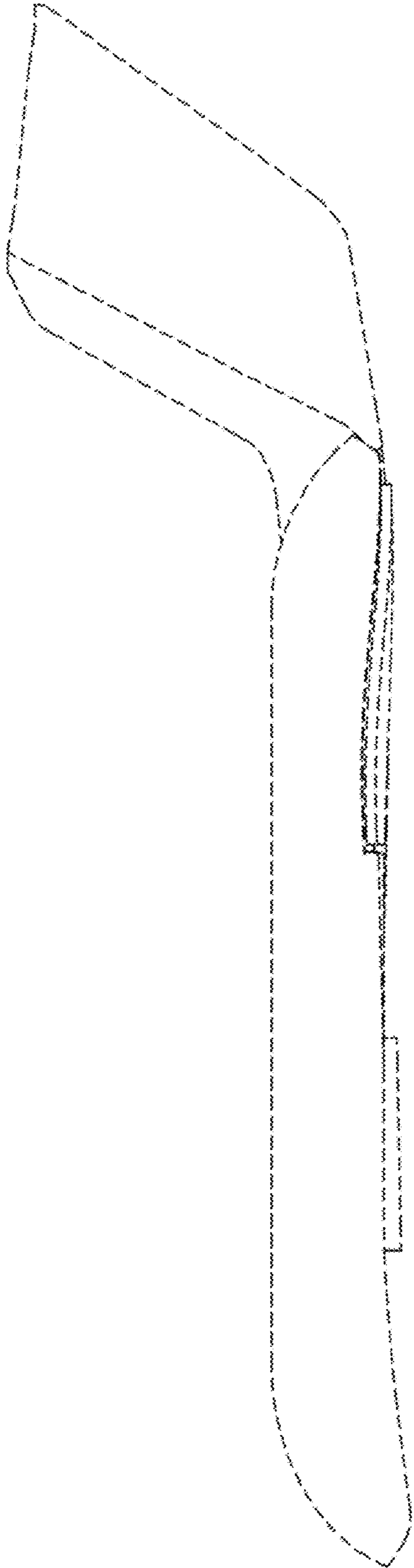


Fig-6

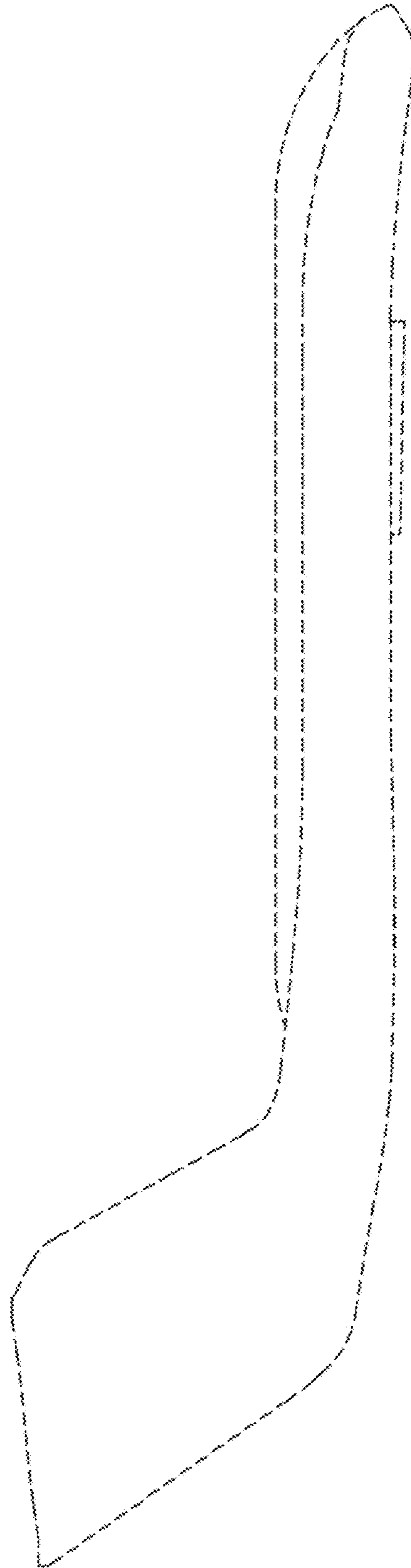


Fig-7