



US00D873752S

(12) **United States Design Patent** (10) **Patent No.:** **US D873,752 S**
Choi et al. (45) **Date of Patent:** **** Jan. 28, 2020**

(54) **FRONT DOOR PANEL FOR AN AUTOMOBILE**
(71) Applicants: **HYUNDAI MOTOR COMPANY**, Seoul (KR); **KIA MOTORS CORPORATION**, Seoul (KR)
(72) Inventors: **Je Won Choi**, Anyang-si (KR); **Ji Heon Lee**, Anyang-si (KR)
(73) Assignees: **Hyundai Motor Company**, Seoul (KR); **Kia Motors Corporation**, Seoul (KR)
(**) Term: **15 Years**
(21) Appl. No.: **35/506,205**
(22) Filed: **Jun. 8, 2018**
(80) **Hague Agreement Data**
Int. Filing Date: **Jun. 8, 2018**
Int. Reg. No.: **DM/101594**
Int. Reg. Date: **Jun. 8, 2018**
Int. Reg. Pub. Date: **Dec. 14, 2018**

(30) **Foreign Application Priority Data**
Dec. 22, 2017 (KR) 30-2017-0061131
(51) **LOC (12) Cl.** **12-16**
(52) **U.S. Cl.**
USPC **D12/196**
(58) **Field of Classification Search**
USPC D12/82, 86, 88, 90-92, 93, 196
CPC B60R 19/02; B60R 19/03; B60R 19/04; B62D 25/08; B62D 25/12; B60J 5/10; B60J 5/101; B60J 5/102; B60J 5/103; B60J 5/107
See application file for complete search history.

(56) **References Cited**
U.S. PATENT DOCUMENTS

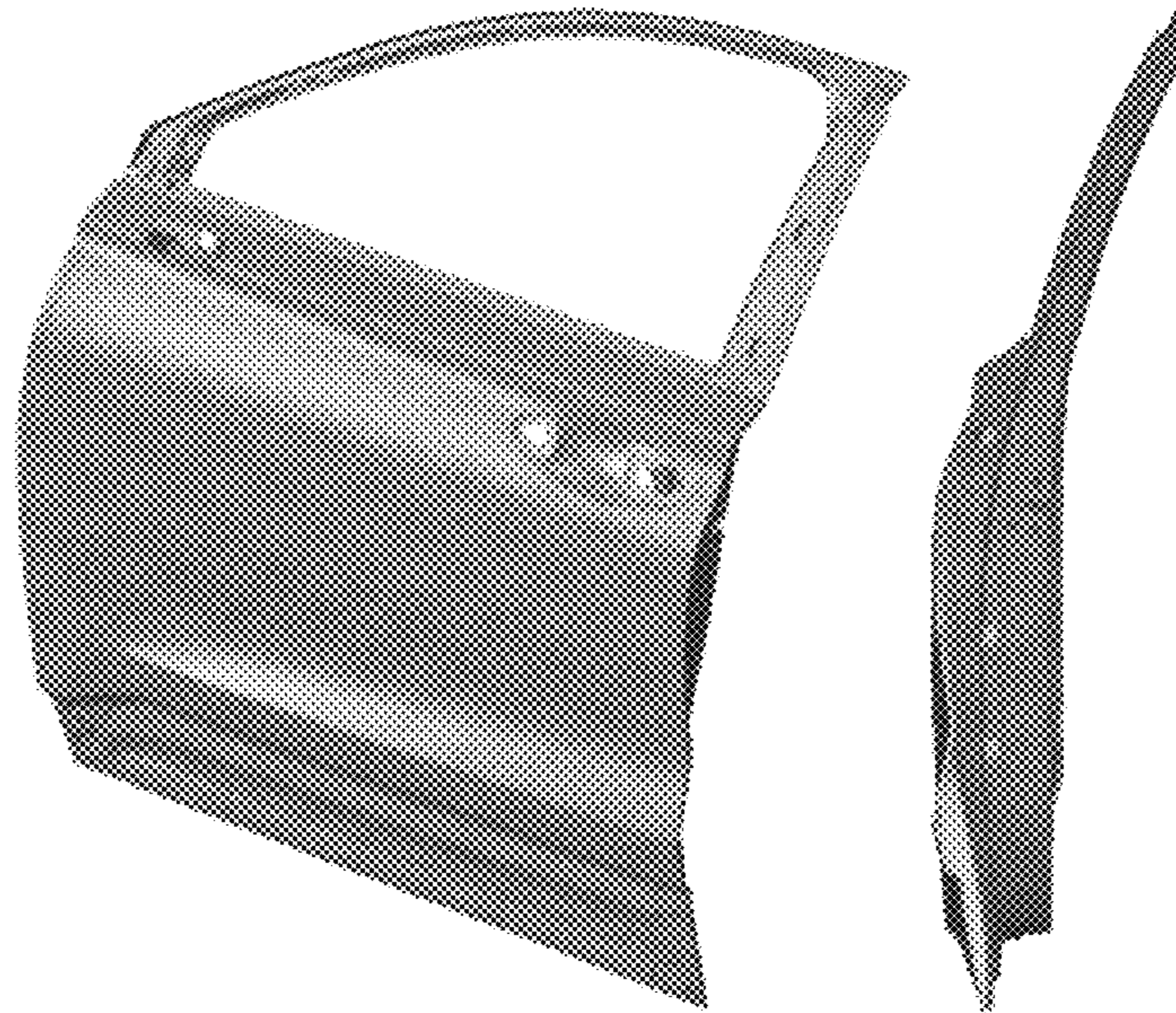
D556,111	S	*	11/2007	Levy	D12/196
D598,355	S	*	8/2009	Sato	D12/196
D653,596	S	*	2/2012	Tomatsu	D12/196
D674,328	S	*	1/2013	Ikuma	D12/196
D686,957	S	*	7/2013	Kwon	D12/196
D706,190	S	*	6/2014	Sakae	D12/196
D775,566	S	*	1/2017	Schneider	D12/196
D775,567	S	*	1/2017	Faghihzadeh	D12/196
D780,082	S	*	2/2017	Bae	D12/196
D781,194	S	*	3/2017	Bae	D12/196
D783,483	S	*	4/2017	Choi	D12/196
D785,529	S	*	5/2017	Kyung	D12/196
D785,531	S	*	5/2017	Lim	D12/196
D786,761	S	*	5/2017	Luk	D12/196
D801,246	S	*	10/2017	Lee	D12/196
D822,568	S	*	7/2018	Choi	D12/196
D823,766	S	*	7/2018	Han	D12/196

* cited by examiner
Primary Examiner — Michael A. Pratt
(74) *Attorney, Agent, or Firm* — Mintz Levin Cohn Ferris Glovsky and Popeo, P.C.; Peter F. Corless; Carolina E. Säve

(57) **CLAIM**
The ornamental design for front door panel for an automobile, as shown and described.

DESCRIPTION
1. Front door panel for an automobile
1.1 : Perspective
1.2 : Front
1.3 : Back
1.4 : Left
1.5 : Right
1.6 : Top
1.7 : Bottom

1 Claim, 7 Drawing Sheets



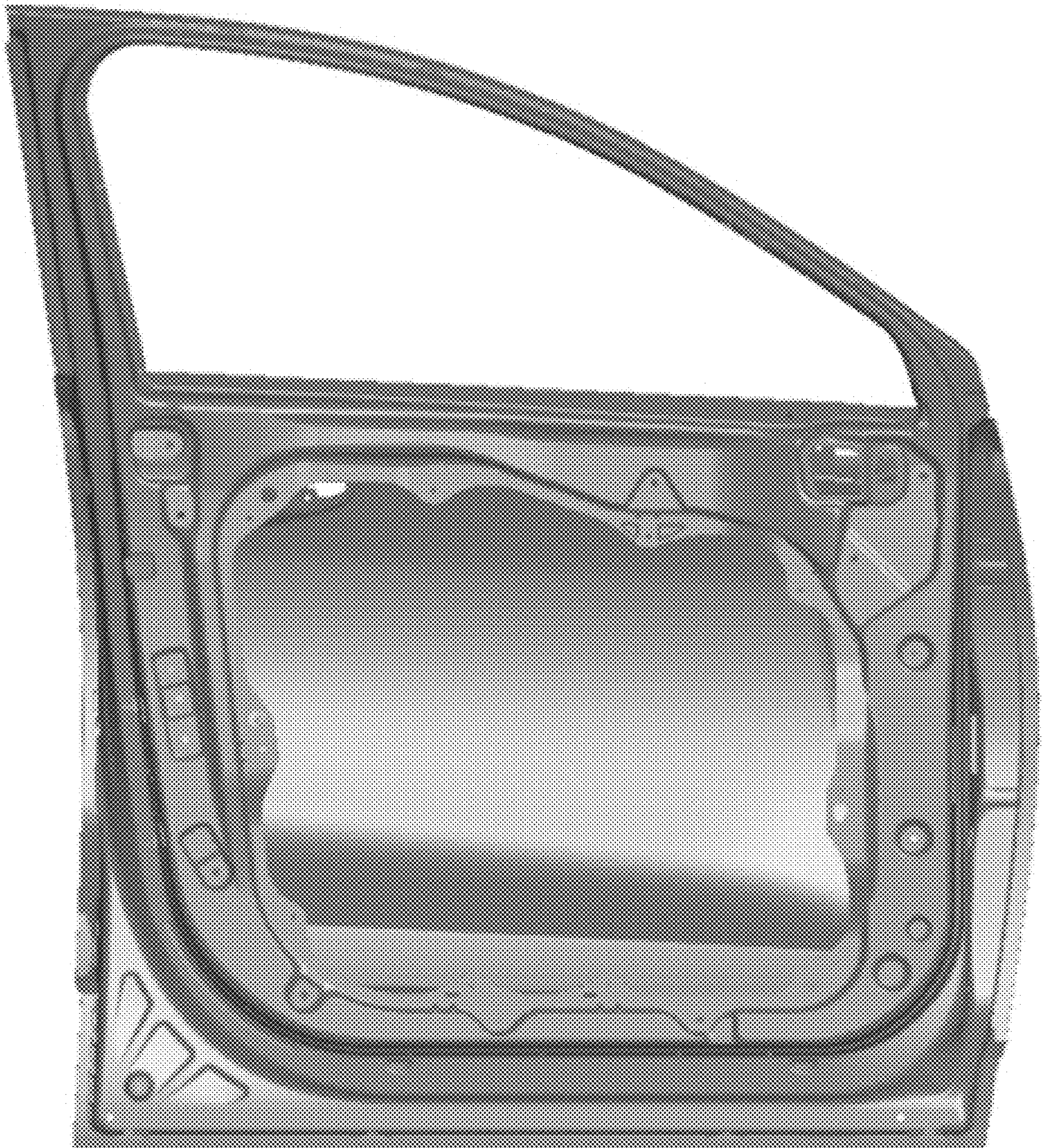
1.1



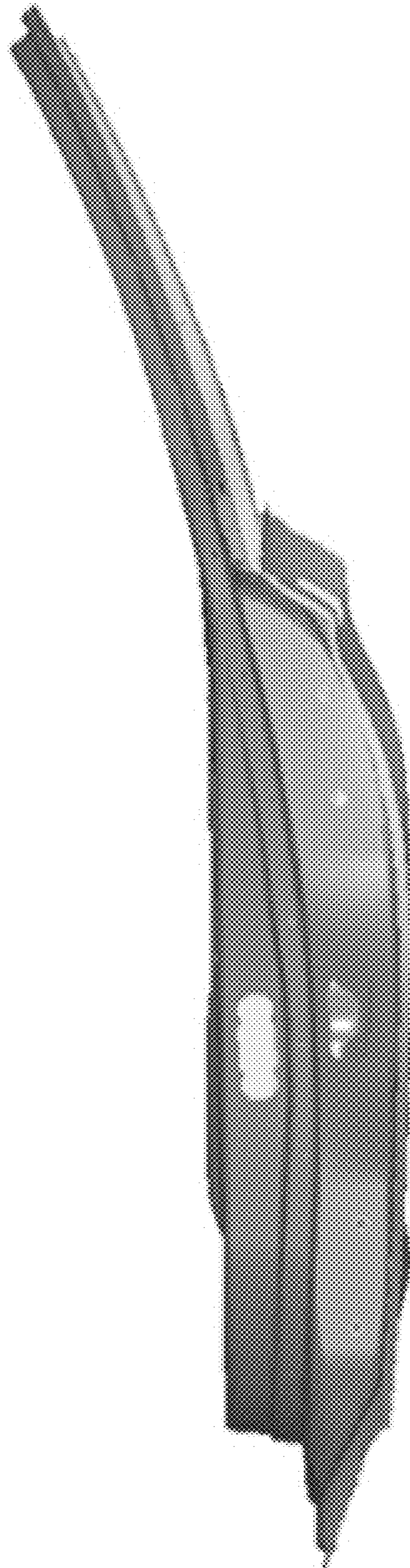
1.2



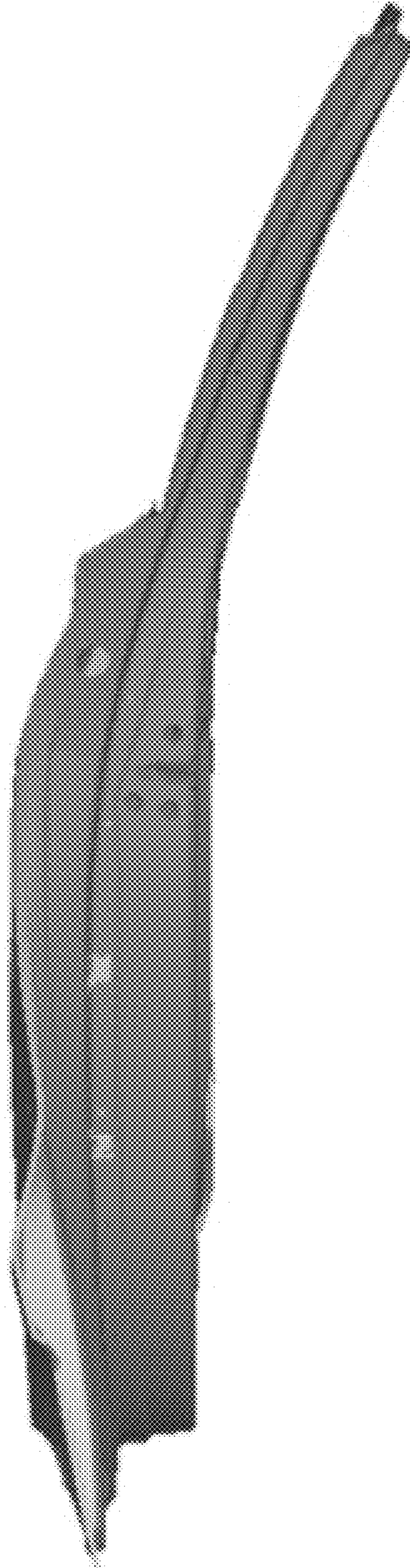
1.3



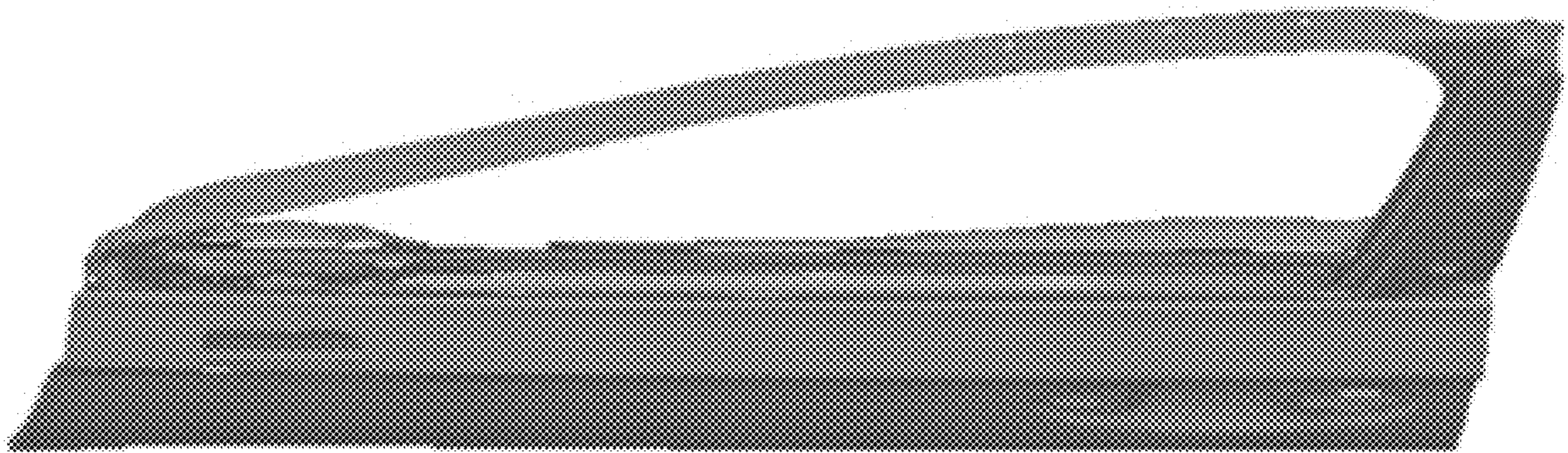
1.4



1.5



1.6



1.7

