



US00D873746S

(12) **United States Design Patent**
Berry et al.

(10) **Patent No.:** **US D873,746 S**
(45) **Date of Patent:** **** Jan. 28, 2020**

(54) **REARVIEW MIRROR**

(71) Applicant: **Gentex Corporation**, Zeeland, MI (US)

(72) Inventors: **Richard A. Berry**, Zeeland, MI (US);
Bradley R. Hamlin, Allendale, MI (US);
Michael F. Lisowski, Holland, MI (US);
Richard T. Fish, Jr., Hudsonville, MI (US)

(73) Assignee: **GENTEX CORPORATION**, Zeeland, MI (US)

(**) Term: **15 Years**

(21) Appl. No.: **29/656,598**

(22) Filed: **Jul. 13, 2018**

(51) **LOC (12) Cl.** **12-16**

(52) **U.S. Cl.**
USPC **D12/187**

(58) **Field of Classification Search**
USPC D12/114, 187-189, 191, 400, 404, 181;
D6/300, 309; 359/843, 844, 881, 877,
359/604, 868, 838, 839, 841, 514, 871;
248/466, 474
CPC B60R 1/076; B60R 1/074; B60R 1/078;
B60R 1/08; B60R 1/006; B60R 1/02;
B60R 1/06; B60R 1/0612; B60R 1/062;
B60R 1/064; G02B 7/182; G02B 7/18

See application file for complete search history.

(56) **References Cited**

U.S. PATENT DOCUMENTS

D786,755 S * 5/2017 Sloterbeek D12/187
D834,476 S * 11/2018 Tang D12/187

* cited by examiner

Primary Examiner — Abraham Bahta
(74) *Attorney, Agent, or Firm* — Price Heneveld LLP;
Bradley D. Johnson

(57) **CLAIM**

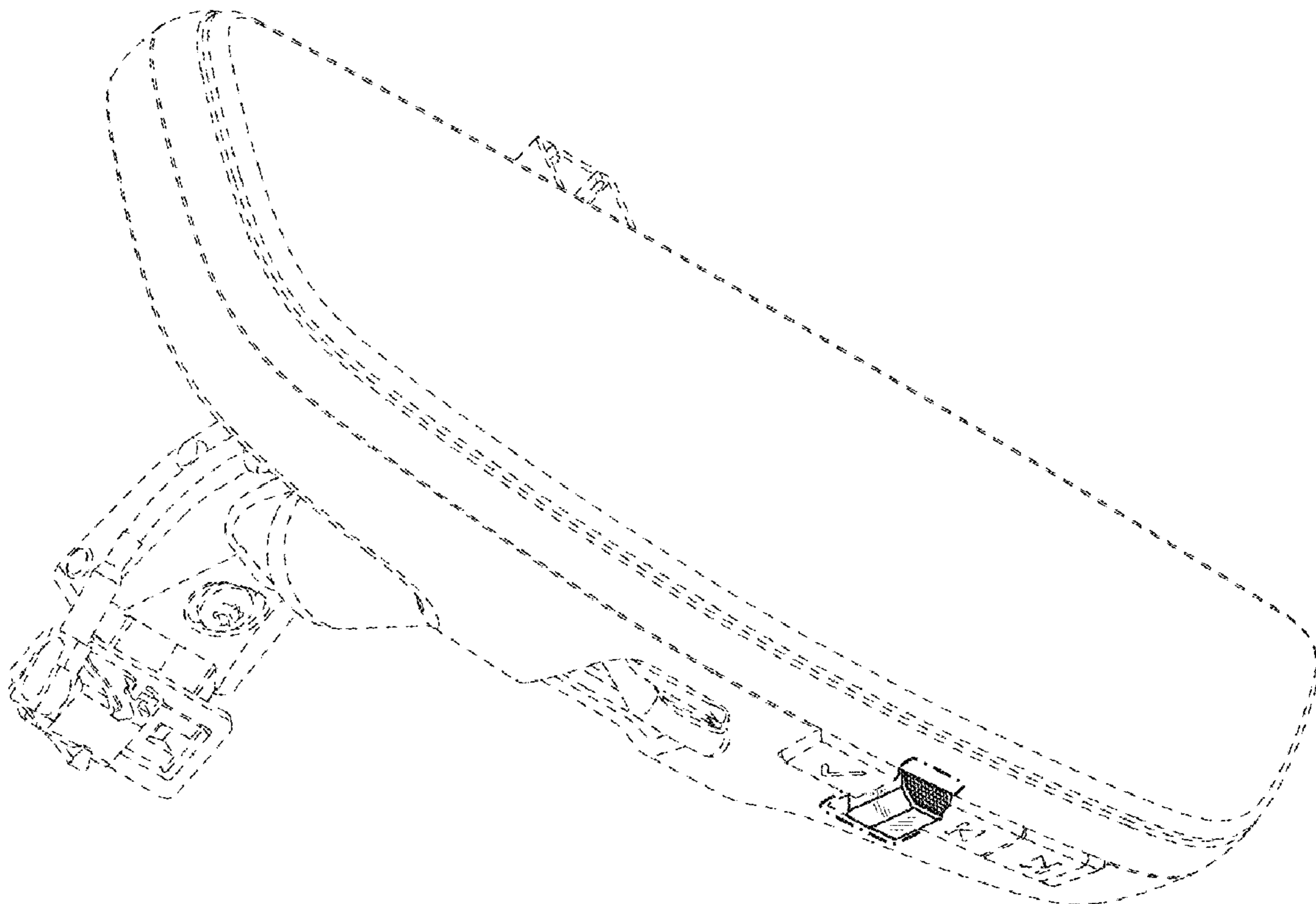
The ornamental design for a rearview mirror, as shown and described.

DESCRIPTION

FIG. 1 is a bottom-front perspective view of a rearview mirror according to our design;
FIG. 2 is a bottom-back perspective view thereof;
FIG. 3 is a front elevation view thereof;
FIG. 4 is a back elevation view thereof;
FIG. 5 is a left side elevation view thereof;
FIG. 6 is a right side elevation view thereof;
FIG. 7 is a top plan view thereof; and,
FIG. 8 is a bottom plan view thereof.

The portions of the article shown in broken line form no part of the claimed design.
Dash-dot-dash lines adjacent un-shaded areas represent bounds of the claimed design and form no part of the claimed design themselves.

1 Claim, 6 Drawing Sheets



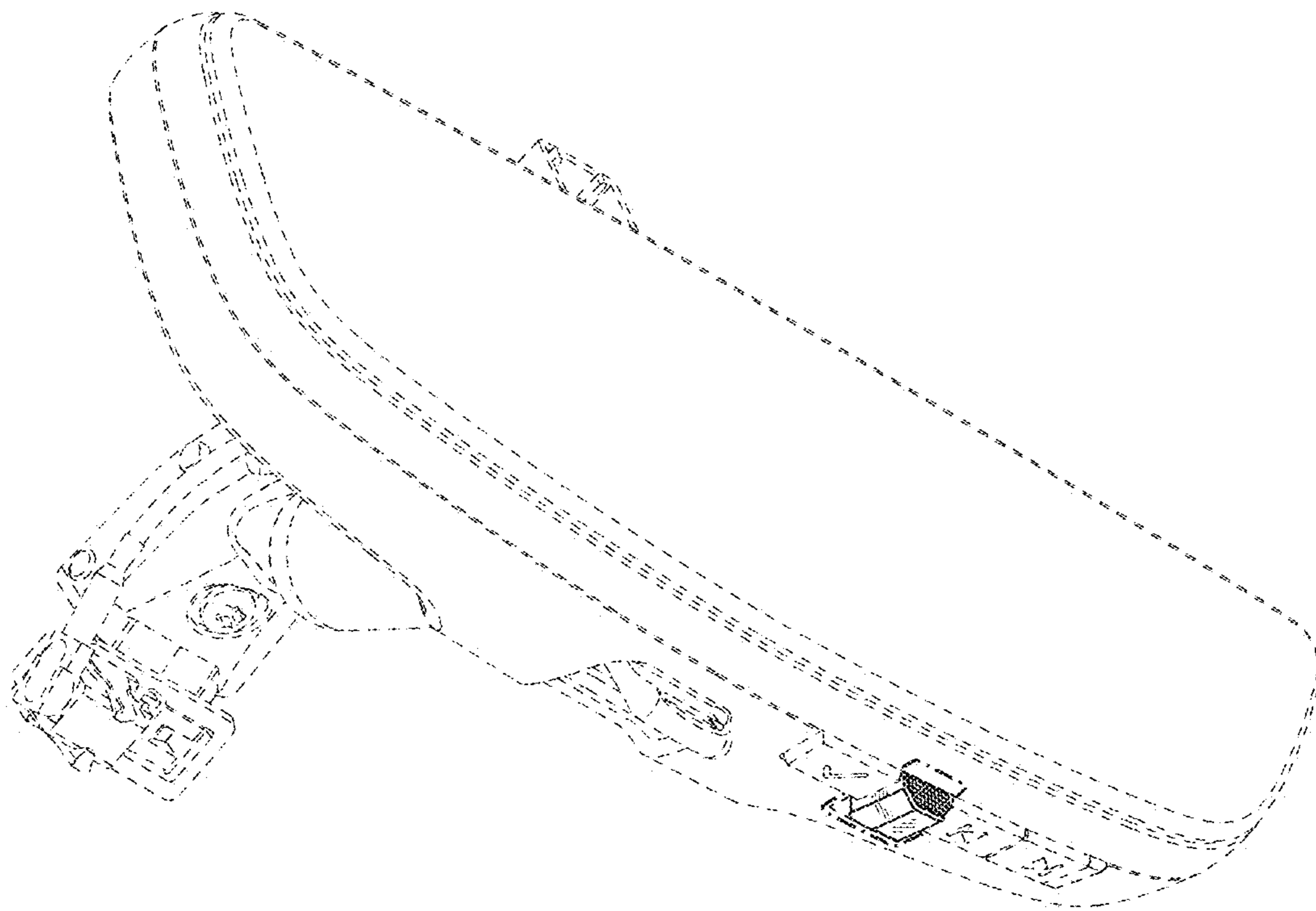


FIG. 1

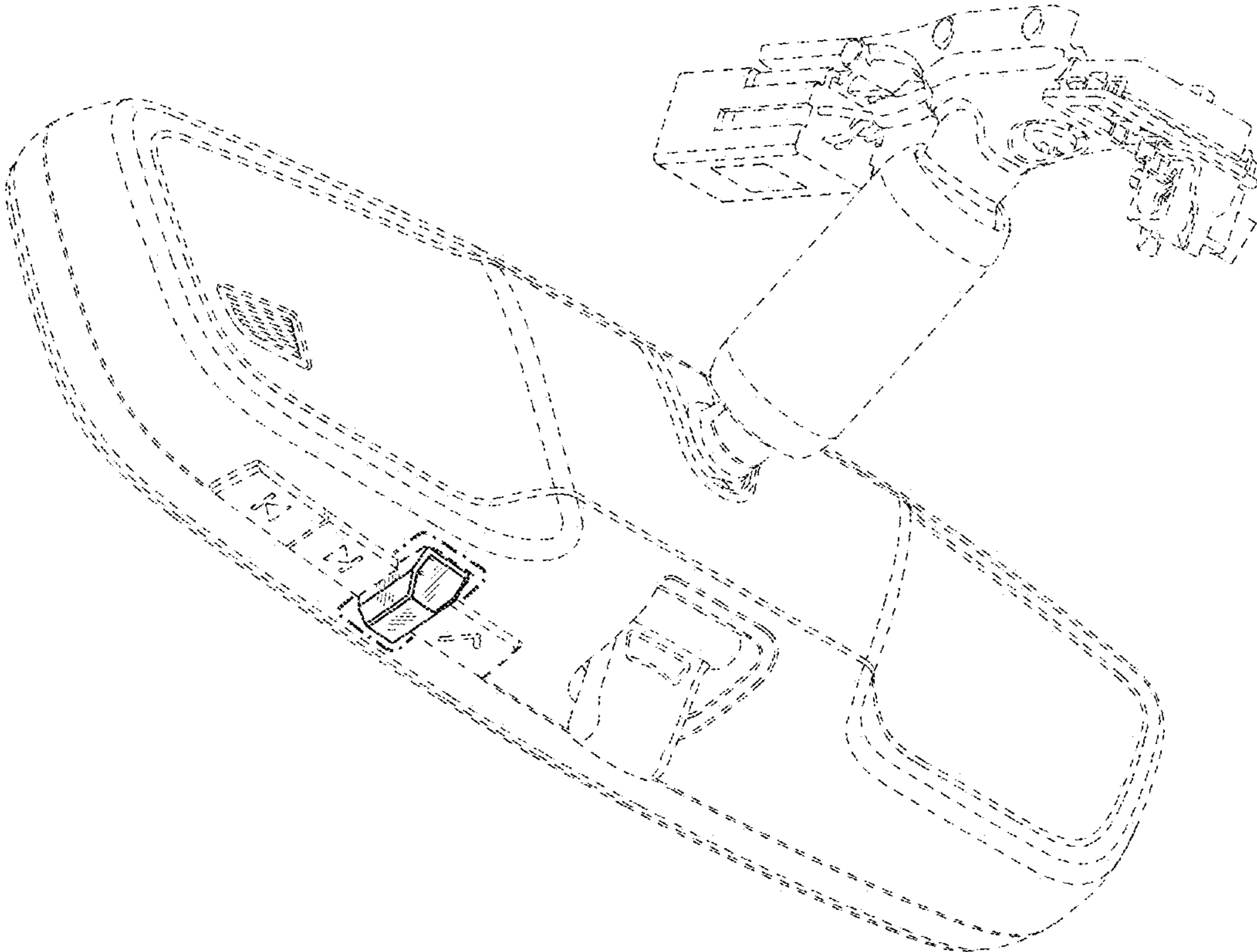


FIG. 2

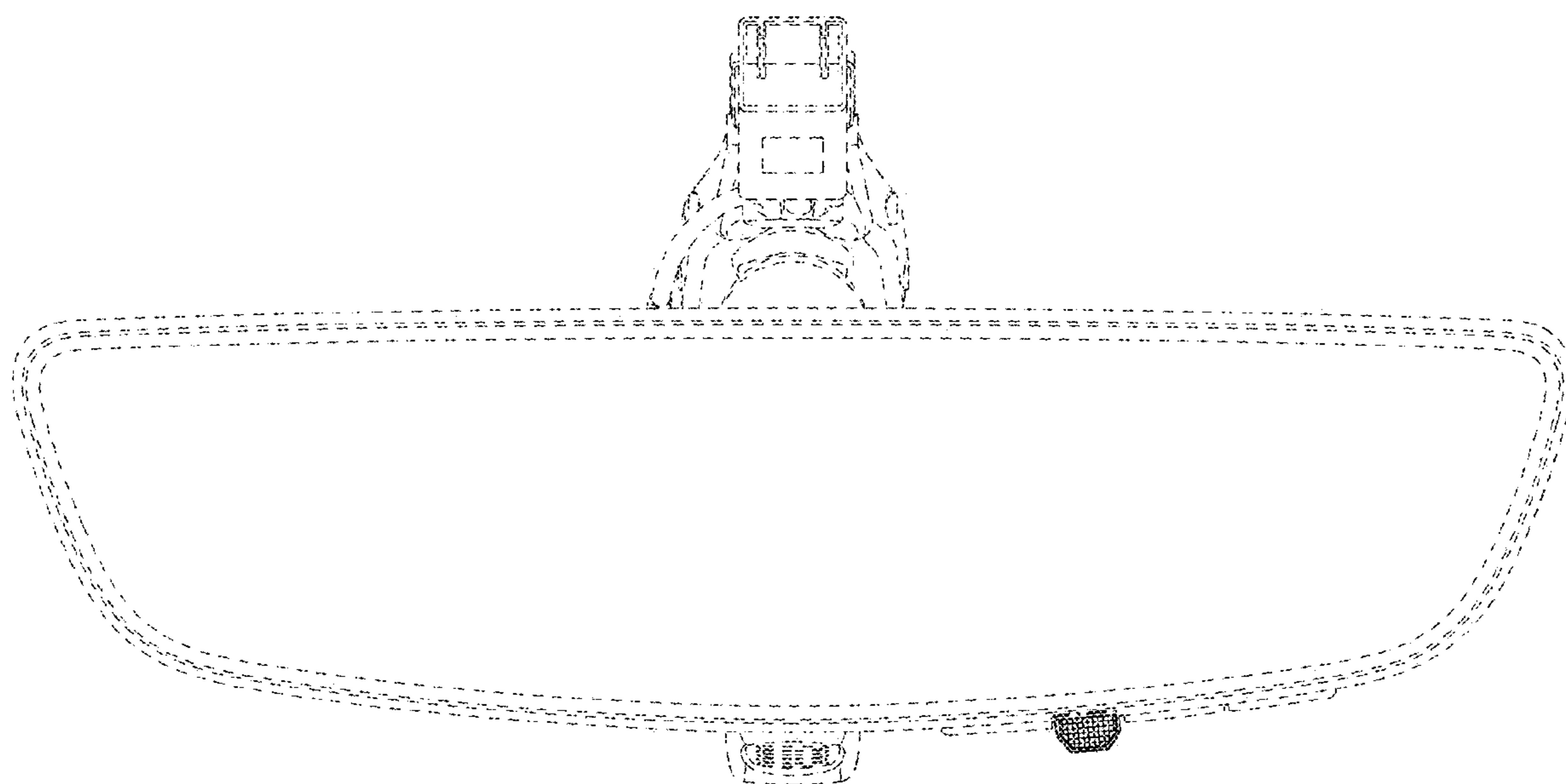


FIG. 3

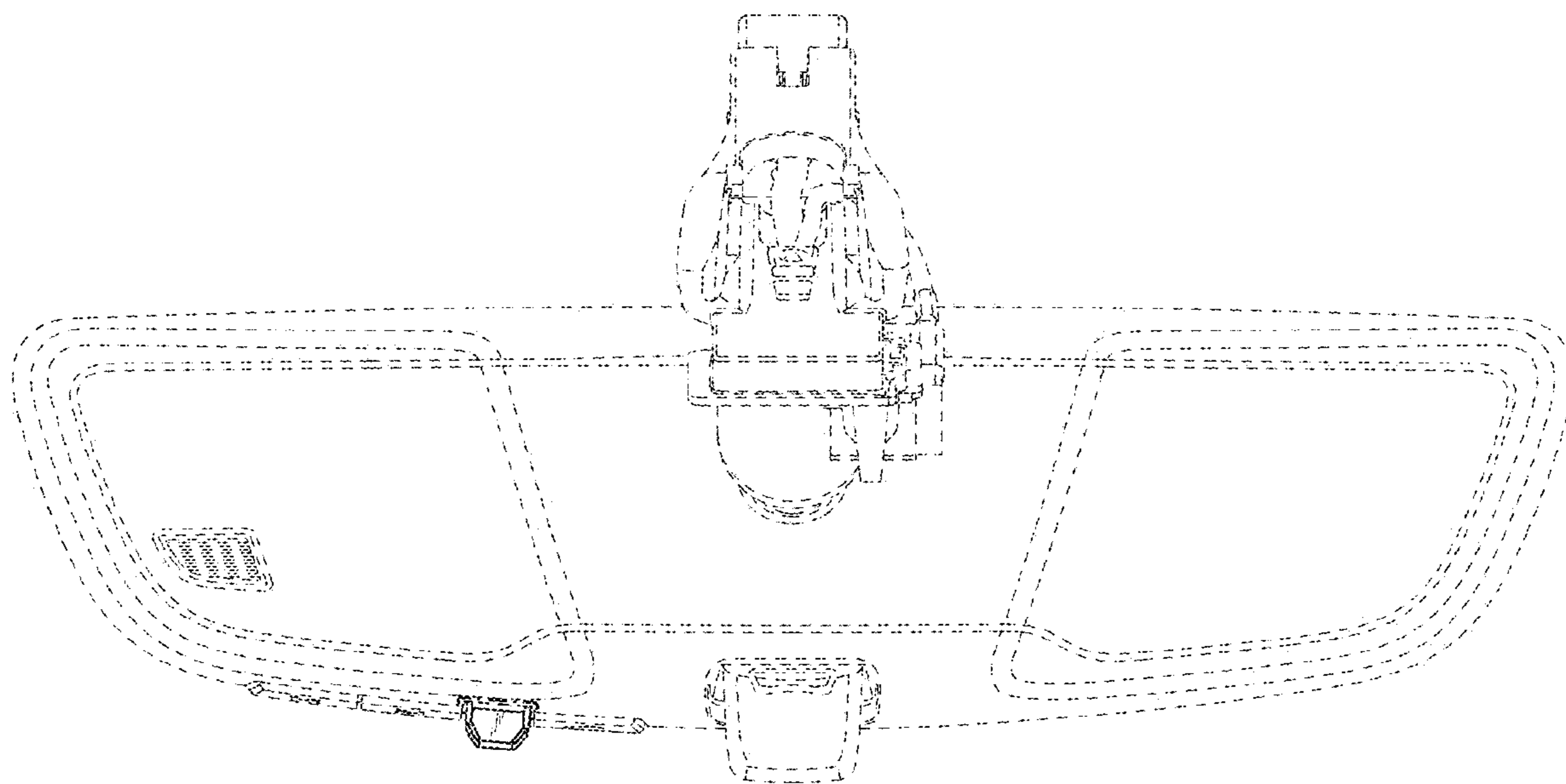


FIG. 4

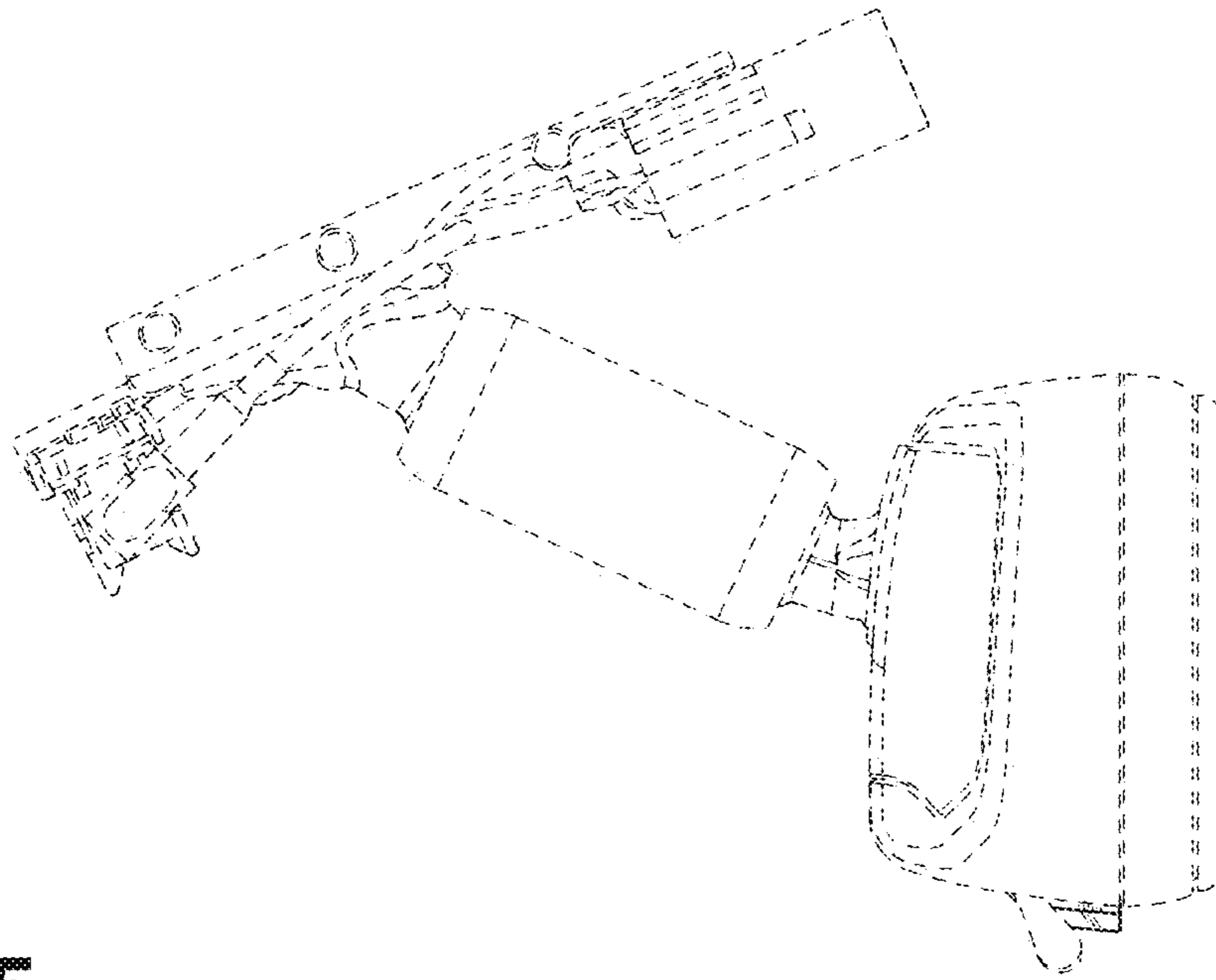


FIG. 5

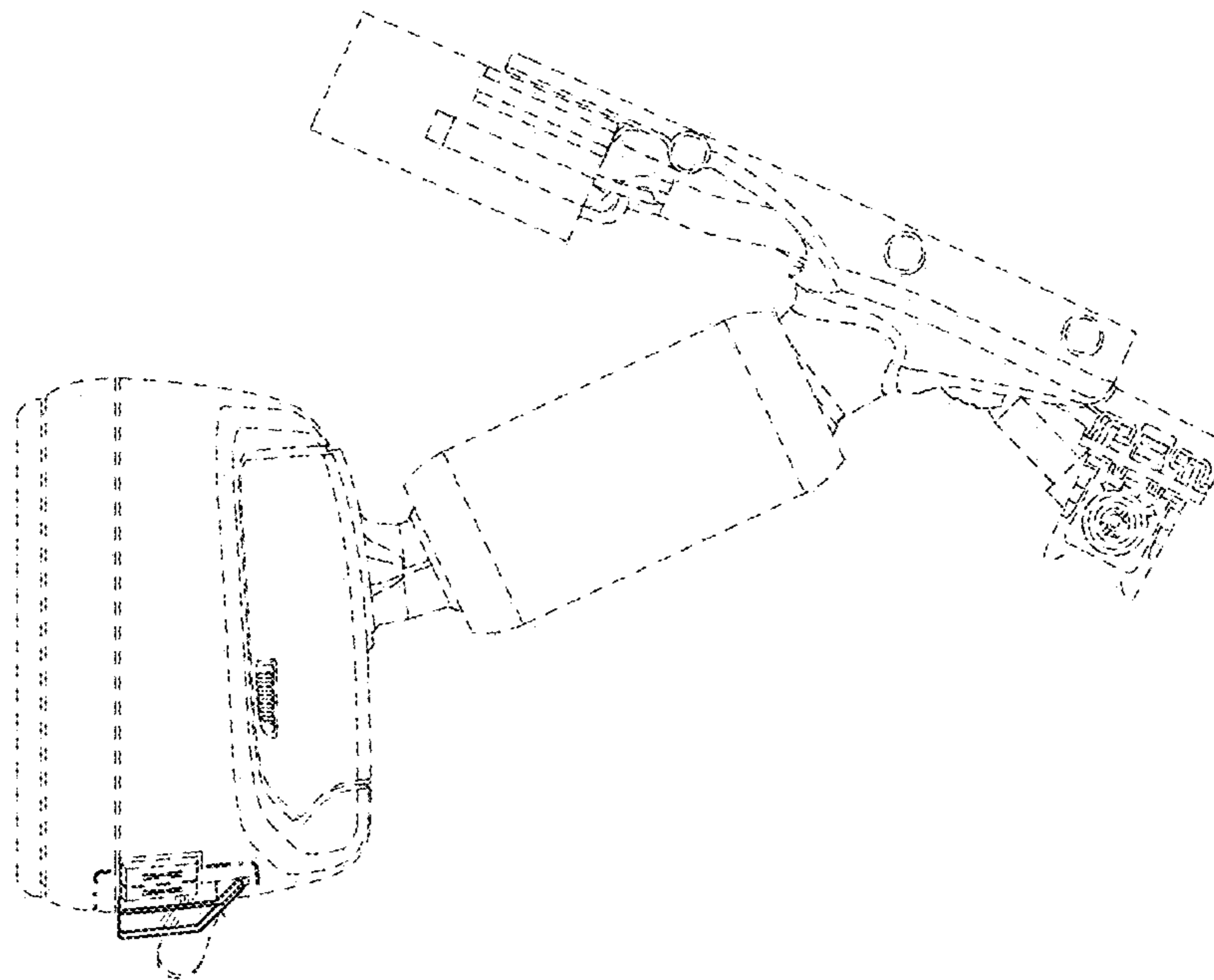


FIG. 6

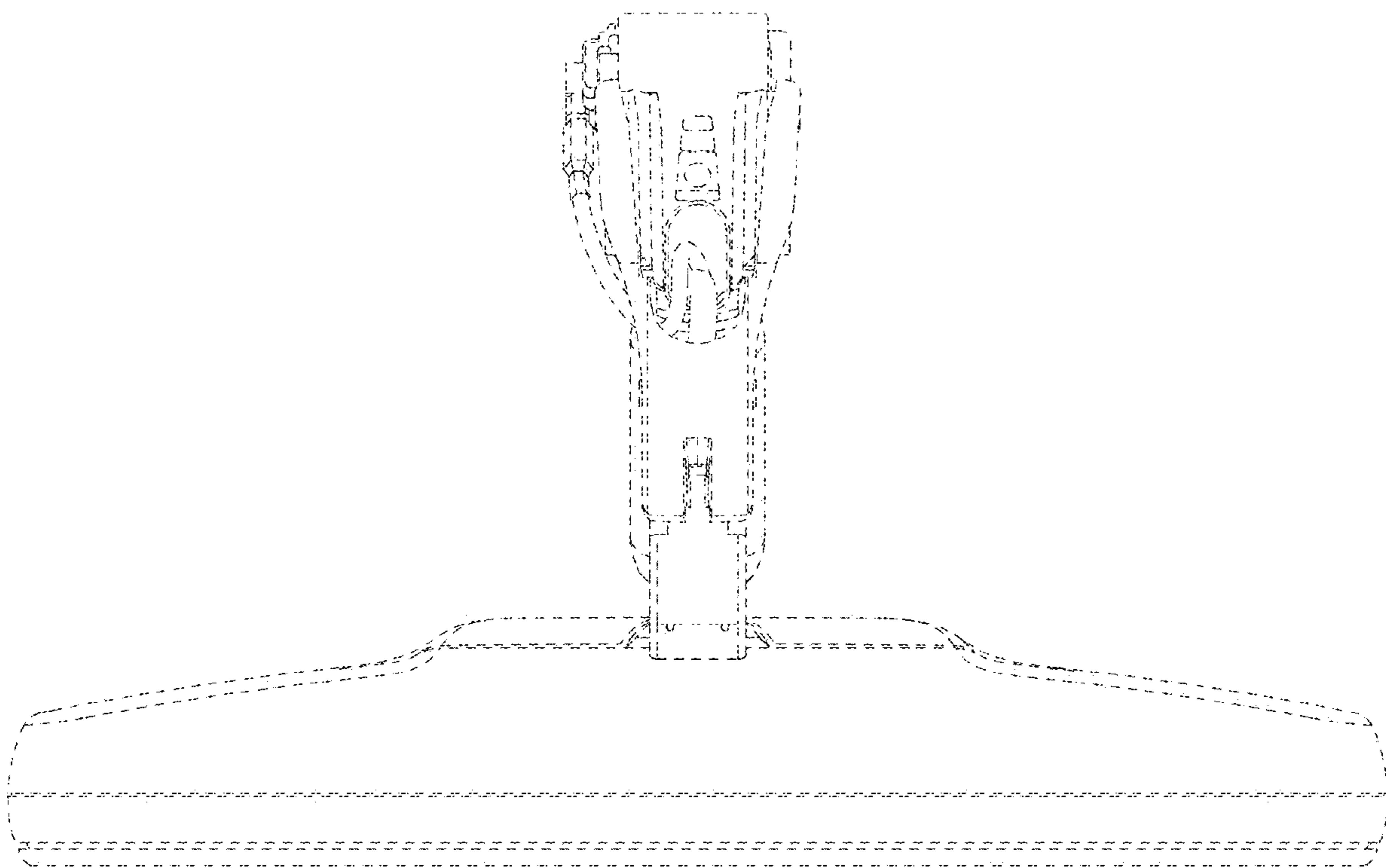


FIG. 7

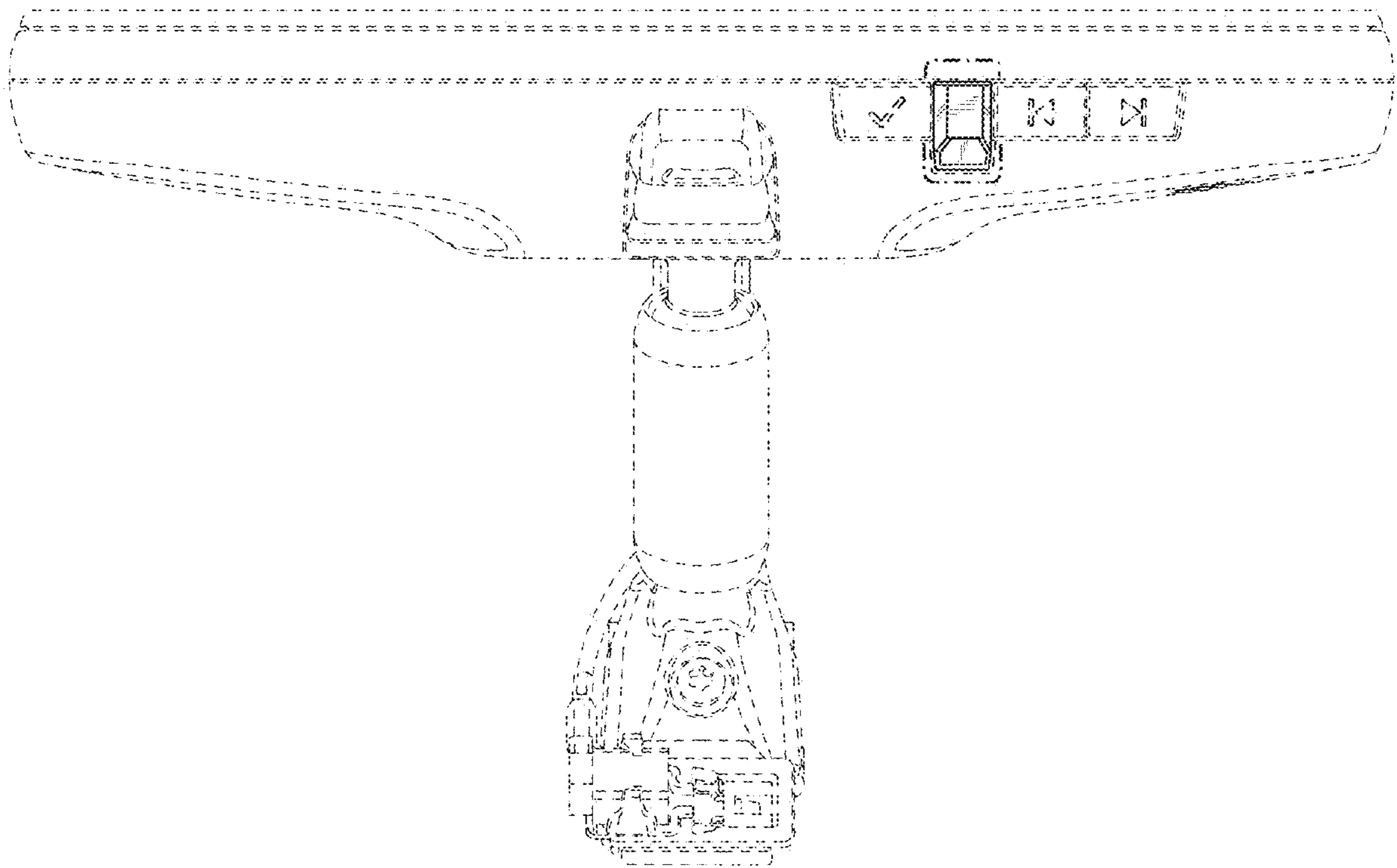


FIG. 8