



US00D873745S

(12) **United States Design Patent** (10) **Patent No.:** **US D873,745 S**
Ruiz (45) **Date of Patent:** **** Jan. 28, 2020**

(54) **VEHICLE MIRROR**
(71) Applicant: **GM GLOBAL TECHNOLOGY OPERATIONS LLC**, Detroit, MI (US)
(72) Inventor: **Gary W. Ruiz**, Royal Oak, MI (US)
(73) Assignee: **GM GLOBAL TECHNOLOGY OPERATIONS LLC**, Detroit, MI (US)
(**) Term: **15 Years**
(21) Appl. No.: **29/642,270**
(22) Filed: **Mar. 28, 2018**
(51) **LOC (12) Cl.** **12-16**
(52) **U.S. Cl.**
USPC **D12/187**
(58) **Field of Classification Search**
USPC D12/187, 188, 189, 191, 195, 179, 192;
D6/300, 309; D8/87
CPC B60R 1/06; B60R 1/074; B60R 1/076;
B60R 1/082; B60R 1/081; B60R 1/08;
B60R 1/078; B60R 1/007
See application file for complete search history.

D613,645 S 4/2010 Song et al.
D615,458 S 5/2010 Thompson et al.
D618,595 S 6/2010 Ware et al.
D621,313 S * 8/2010 Kimura D12/187
D623,090 S 9/2010 Cox et al.
D627,262 S 11/2010 Ikeda et al.
D635,488 S 4/2011 Phipps
D644,147 S 8/2011 Suh et al.
D644,567 S 9/2011 Kozub
D657,718 S 4/2012 Zipfel et al.
D659,052 S 5/2012 Ware et al.
D659,053 S 5/2012 Ware et al.
D668,182 S 10/2012 Barba Franco et al.
D668,183 S 10/2012 Smart
D678,820 S 3/2013 Son et al.
D678,821 S 3/2013 Ikeda et al.
D680,909 S 4/2013 Munson et al.
D680,910 S 4/2013 David
D684,899 S 6/2013 Baker

(Continued)

Primary Examiner — Susan E Krakower
Assistant Examiner — Jerry Shiuan-Hua Hsu

(57) **CLAIM**

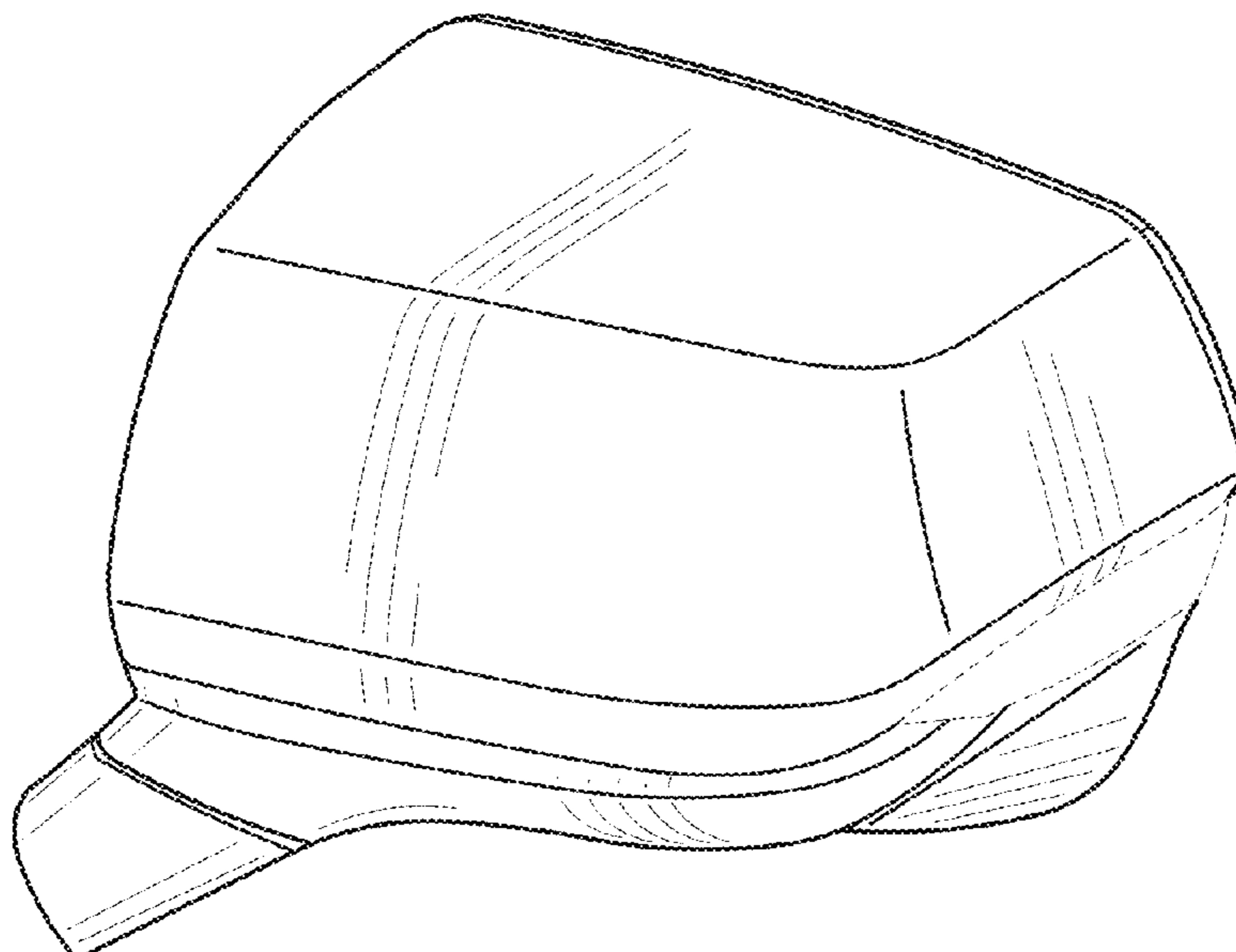
The ornamental design for a vehicle mirror, as shown and described.

DESCRIPTION

FIG. 1 is a front and left perspective view of the vehicle mirror according to the present disclosure, the opposite side vehicle mirror being a mirror image thereof; FIG. 2 is a left side elevation view thereof; FIG. 3 is a front elevation view thereof; FIG. 4 is a top plan view thereof; FIG. 5 is a right side elevation view thereof; FIG. 6 is a bottom plan view thereof; and, FIG. 7 is a rear elevation view thereof. The broken lines shown in the drawings depict portions of the vehicle mirror that form no part of the claimed design.

1 Claim, 4 Drawing Sheets

(56) **References Cited**
U.S. PATENT DOCUMENTS
D592,105 S 5/2009 Dean et al.
D597,447 S 8/2009 Folden
D600,595 S 9/2009 Nakamura et al.
D601,925 S 10/2009 O'Donnell
D603,755 S 11/2009 Peters
D604,203 S 11/2009 O'Donnell
D605,977 S 12/2009 Zipfel et al.
D605,978 S 12/2009 Wolff et al.
D608,690 S 1/2010 Folden et al.
D608,691 S 1/2010 Zak, Jr. et al.
D609,608 S 2/2010 Boniface et al.
D611,387 S 3/2010 Thompson et al.
D612,297 S 3/2010 Peters et al.



(56)

References Cited

U.S. PATENT DOCUMENTS

D708,560 S *	7/2014	George	D12/187
D709,416 S *	7/2014	Mays	D12/187
D724,510 S	3/2015	McMahan et al.	
D730,254 S *	5/2015	Glover	D12/187
D746,196 S *	12/2015	Di Buduo	D12/187
9,449,390 B1 *	9/2016	Ghneim	B60R 1/007
D782,379 S	3/2017	Wassell	
D784,226 S	4/2017	Cheng	
D793,311 S	8/2017	Whitla et al.	
D797,537 S	9/2017	Cooper et al.	
D798,208 S *	9/2017	Zavatski	D12/187
D800,039 S *	10/2017	Bucher	D12/187
D802,502 S	11/2017	McMahan	
D804,378 S	12/2017	Perkins	
D804,379 S	12/2017	McMahan	
D809,442 S	2/2018	Zipfel et al.	
D827,531 S *	9/2018	Bucher	D12/187
D839,157 S *	1/2019	Smith	D12/187
D840,303 S *	2/2019	Park Cheng	D12/187
D840,885 S *	2/2019	Park Cheng	D12/187

* cited by examiner

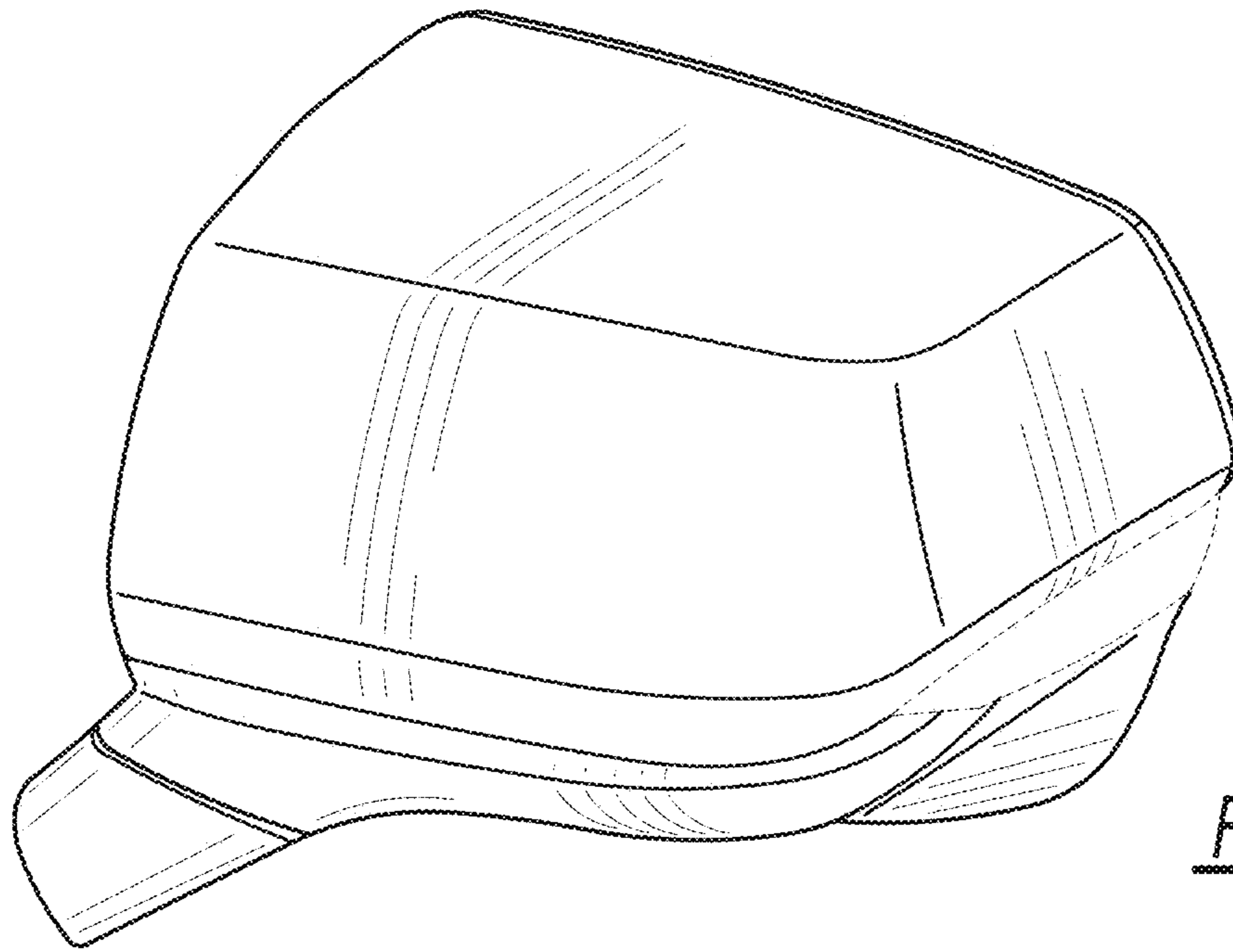


FIG - 1

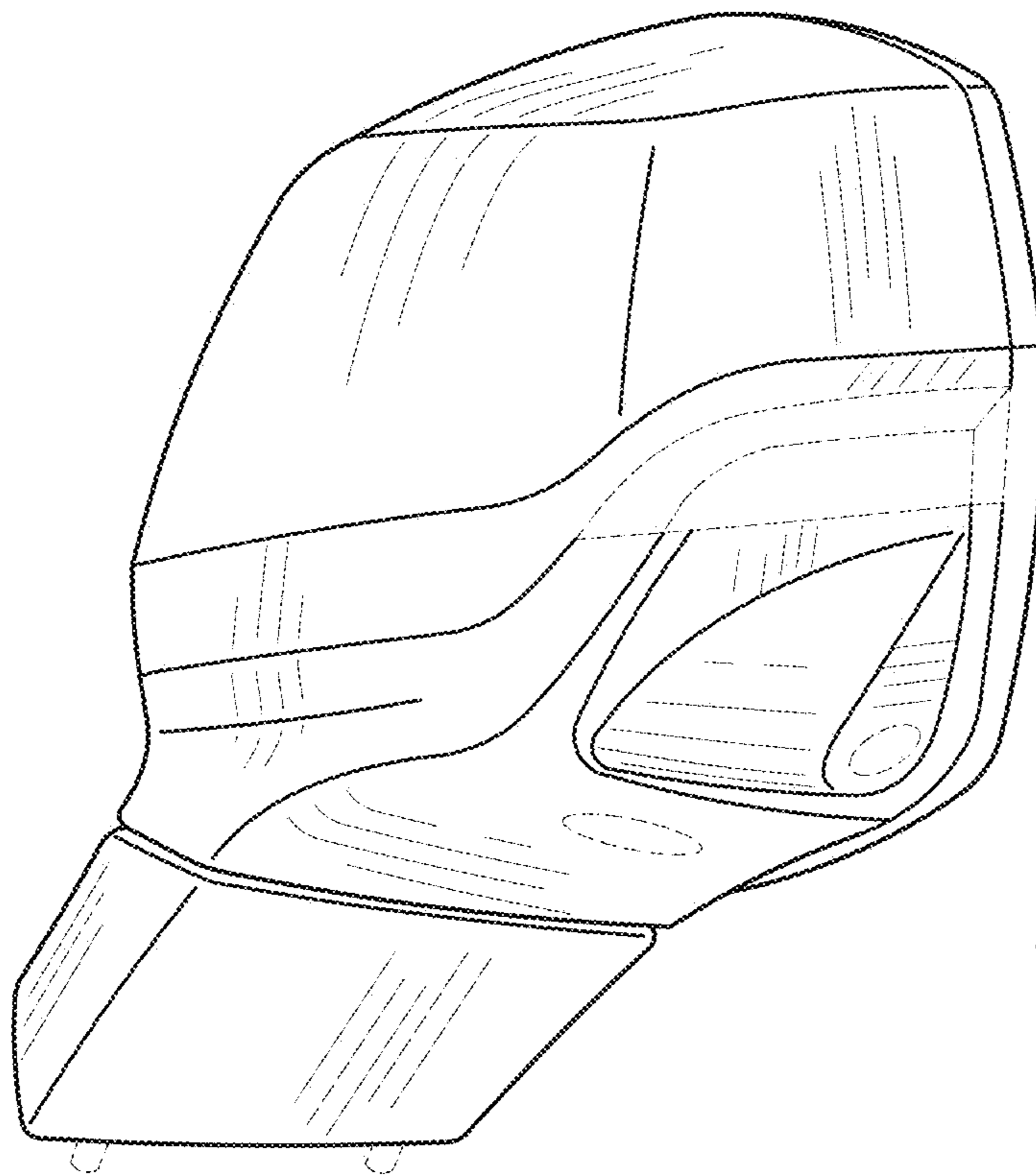


FIG - 2

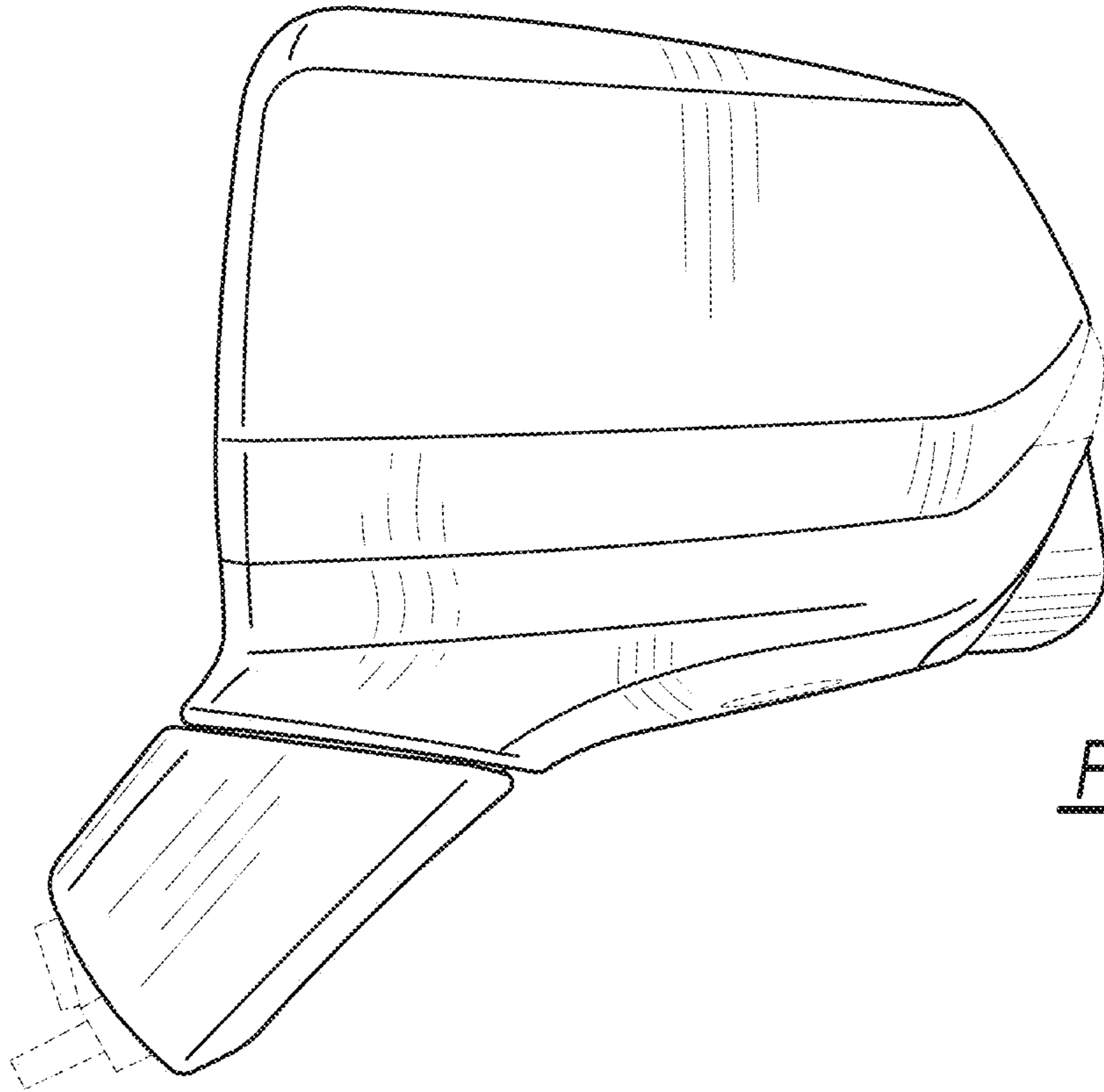


FIG - 3

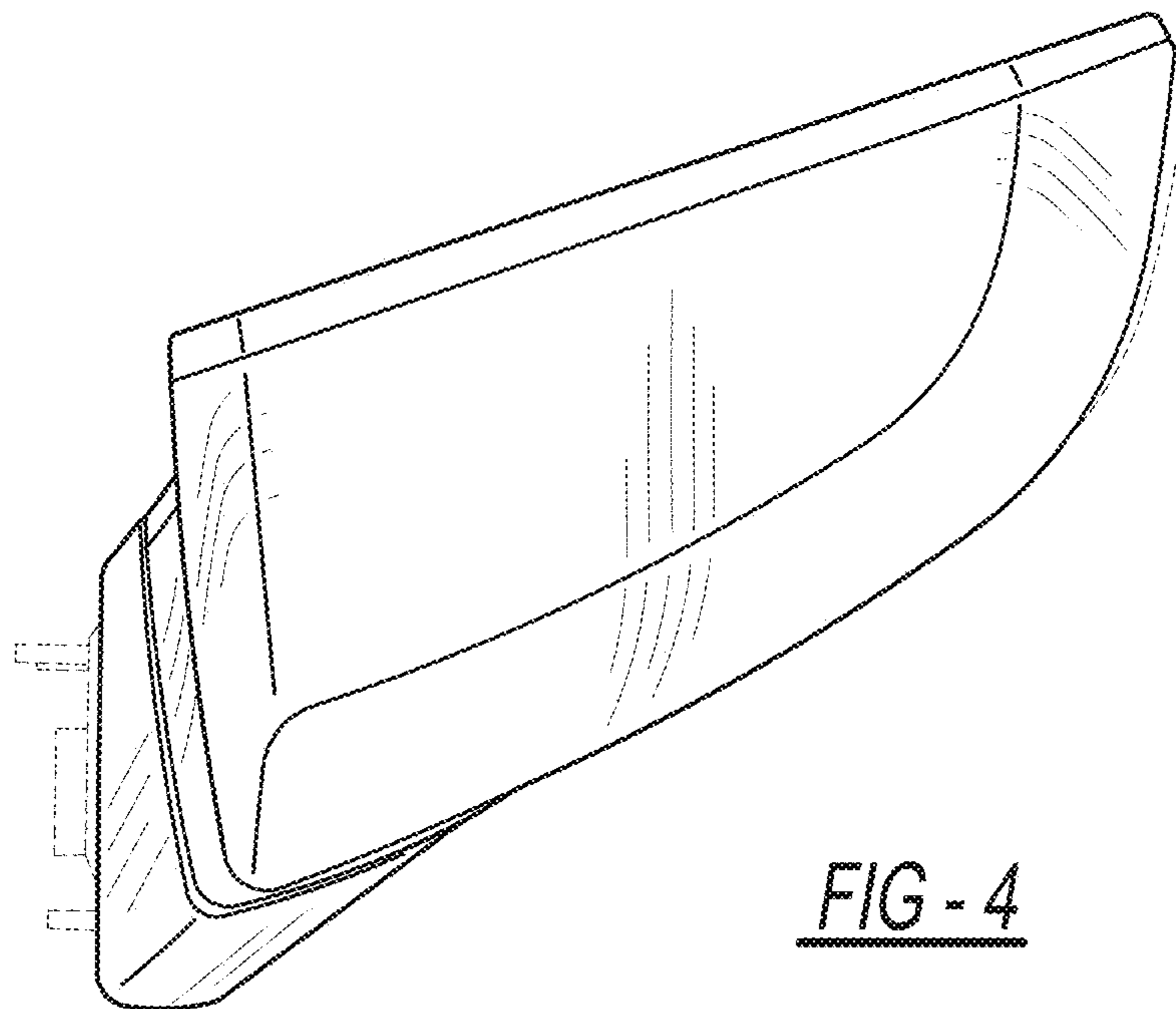


FIG - 4

FIG - 5

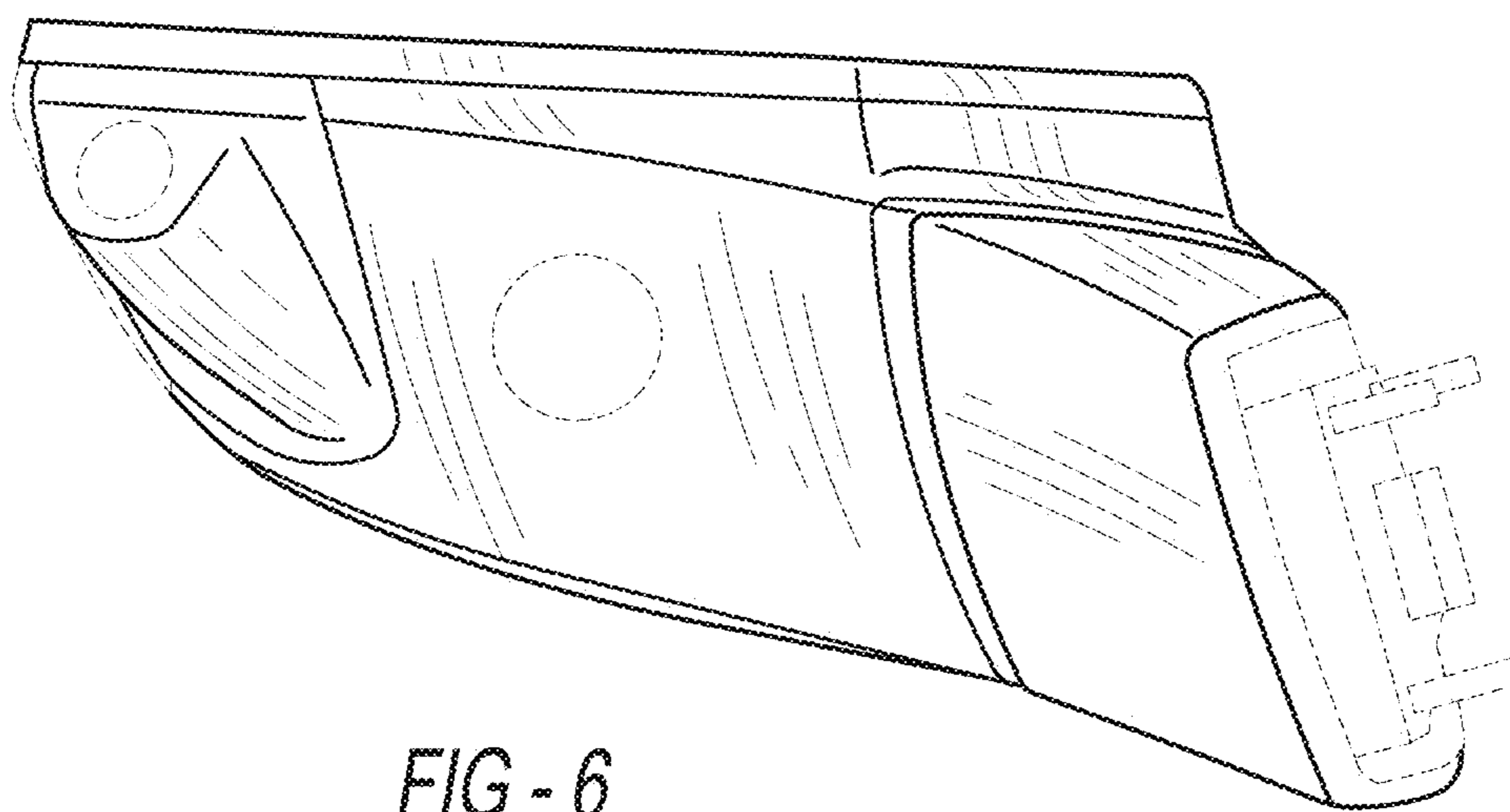
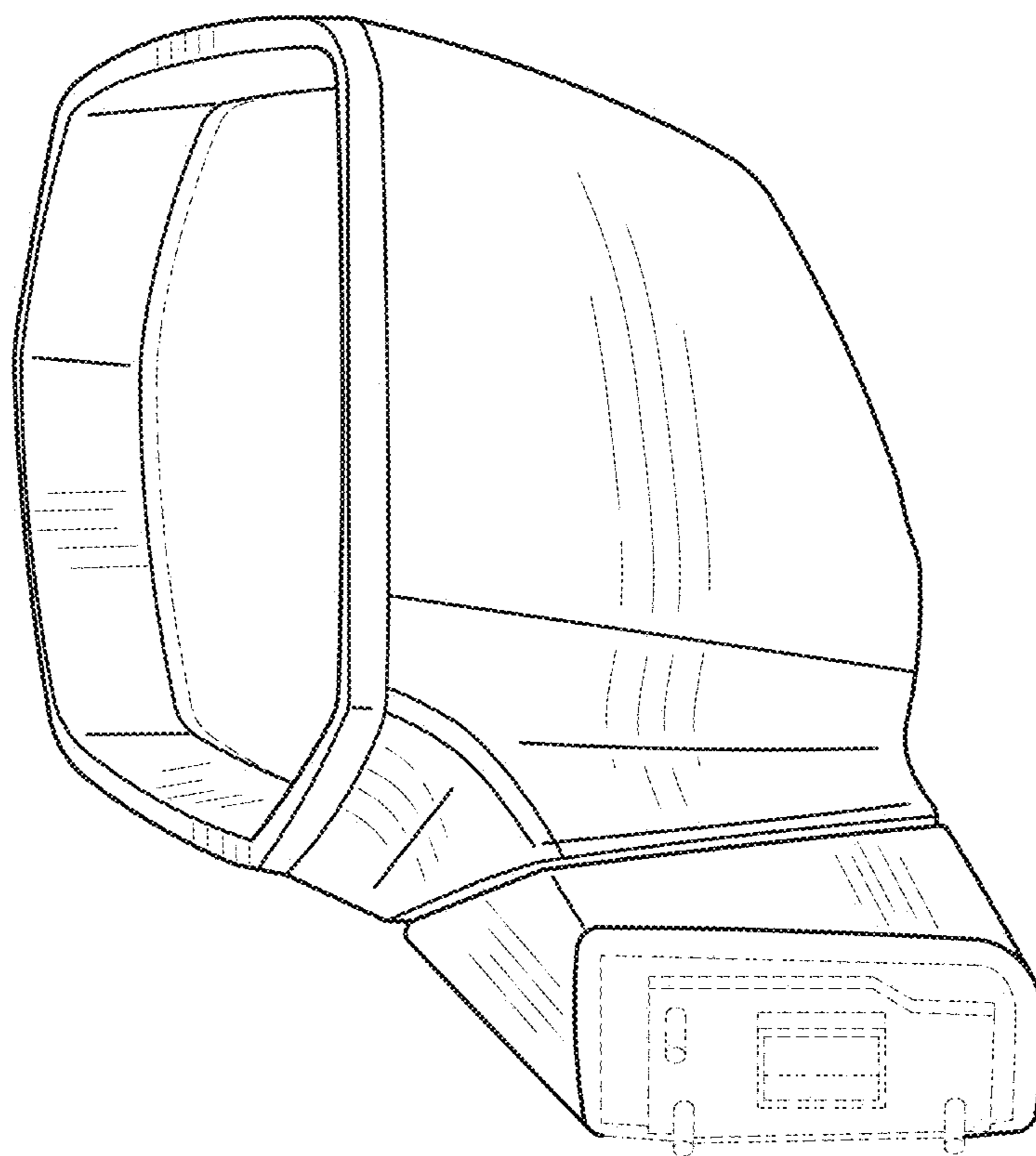


FIG - 6

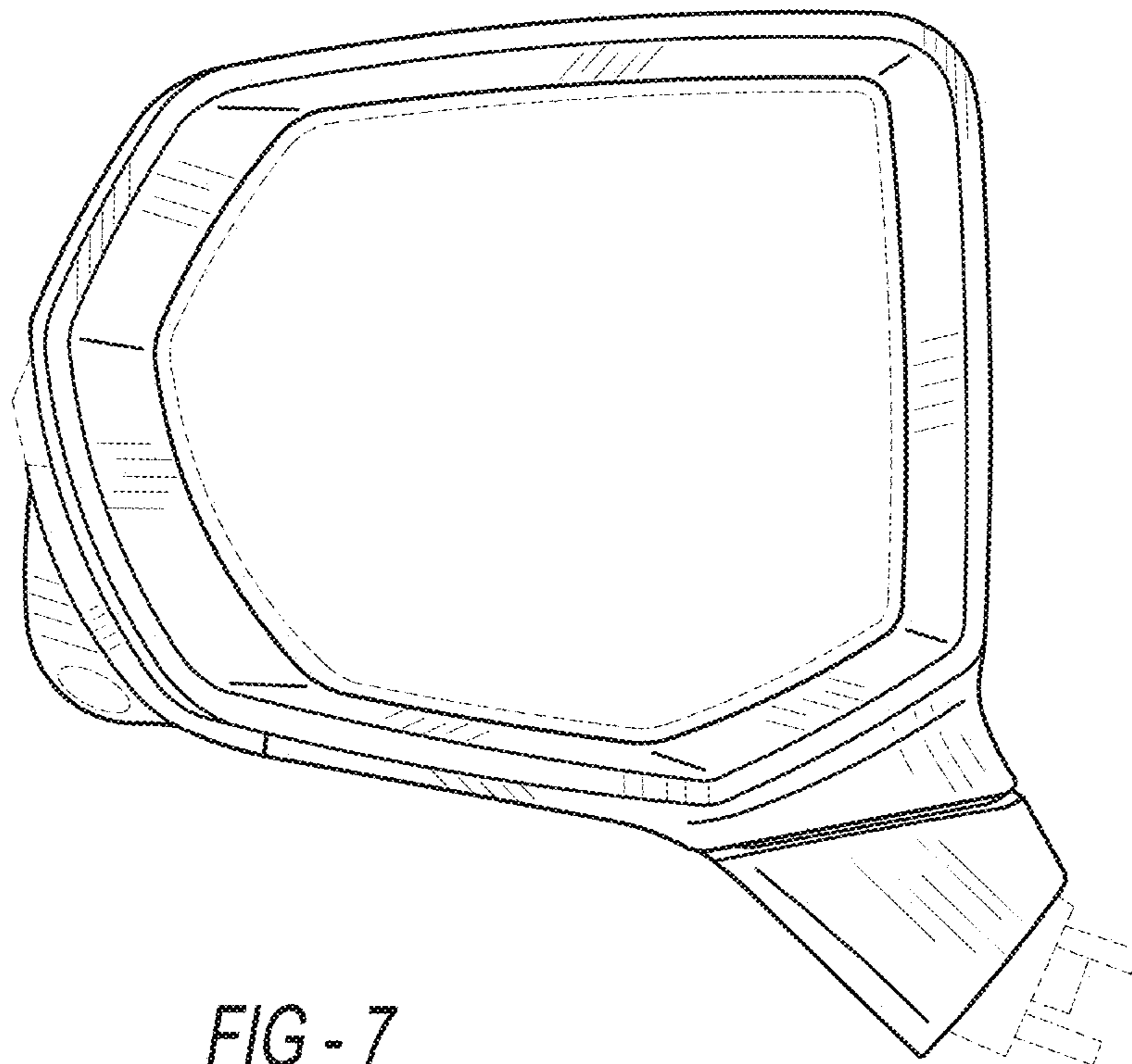


FIG - 7