



US00D873744S

(12) **United States Design Patent**  
**Chen**

(10) **Patent No.:** **US D873,744 S**  
(45) **Date of Patent:** **\*\* Jan. 28, 2020**

- (54) **SIDE MIRROR**
- (71) Applicant: **Shenzhen Qingchun Dongli Technology Co., Ltd.**, Shenzhen, Guangdong Province (CN)
- (72) Inventor: **Wenjiao Chen**, Lufeng (CN)
- (73) Assignee: **Shenzhen Qingchun Dongli Technology Co., Ltd.**, Shenzhen (CN)
- (\*\*) Term: **15 Years**
- (21) Appl. No.: **29/622,187**
- (22) Filed: **Oct. 15, 2017**
- (51) **LOC (12) Cl.** ..... **12-16**
- (52) **U.S. Cl.**  
USPC ..... **D12/187**
- (58) **Field of Classification Search**  
USPC ..... D12/114, 187, 188, 189; D6/300, 301, D6/302, 303, 309  
CPC ..... B60R 1/003; B60R 1/082; B60R 1/0605; B60R 1/078; B60R 1/06  
See application file for complete search history.

7,111,863 B2 *	9/2006	Ward	.....	B60R 1/003	280/477
D552,020 S *	10/2007	Hofle	.....	D12/187	
D575,710 S *	8/2008	Zimmer	.....	D12/187	
7,780,298 B2 *	8/2010	Greathouse	.....	B60R 1/06	248/475.1
D699,653 S *	2/2014	Markstaller	.....	D12/187	
D702,609 S *	4/2014	Hovind	.....	D12/187	
D716,208 S *	10/2014	Rigolio	.....	D12/187	
D723,439 S *	3/2015	Milbank	.....	D12/187	
D826,103 S *	8/2018	Reano	.....	D12/114	
2002/0113189 A1 *	8/2002	Swain	.....	B60R 1/0605	248/481
2004/0135054 A1 *	7/2004	De Leon	.....	B60R 1/078	248/475.1

\* cited by examiner

*Primary Examiner* — Susan E Krakower  
*Assistant Examiner* — Jerry Shiuan-Hua Hsu  
(74) *Attorney, Agent, or Firm* — ScienBiziP, P.C.

(57) **CLAIM**

The ornamental design for a side mirror, as shown and described.

**DESCRIPTION**

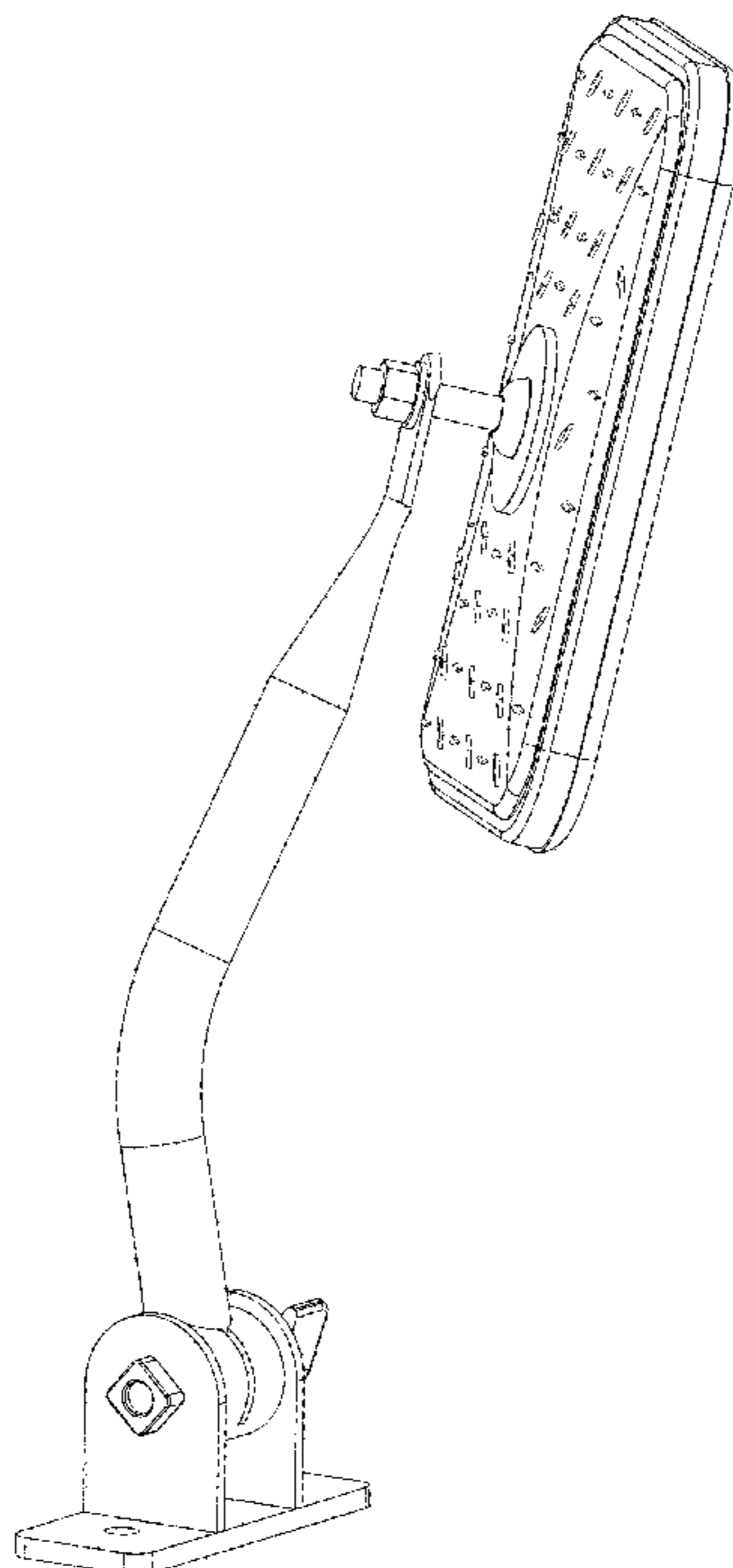
FIG. 1 is a perspective rear view of a side mirror, showing my new design;  
FIG. 2 is a front view thereof;  
FIG. 3 is a rear view thereof;  
FIG. 4 is a left view thereof;  
FIG. 5 is a right view thereof;  
FIG. 6 is a top view thereof; and,  
FIG. 7 is a bottom view thereof.

**1 Claim, 7 Drawing Sheets**

(56) **References Cited**

**U.S. PATENT DOCUMENTS**

5,025,543 A *	6/1991	Byers	.....	B60R 1/078	248/480
D329,631 S *	9/1992	Cameron	.....	D12/187	
D399,809 S *	10/1998	Leveille	.....	D12/187	
D406,088 S *	2/1999	Hanlon	.....	D12/187	
D425,001 S *	5/2000	Bullock	.....	D12/188	
D445,743 S *	7/2001	Hsu	.....	D12/187	
6,485,151 B2 *	11/2002	Coleburn	.....	B60R 1/082	248/480



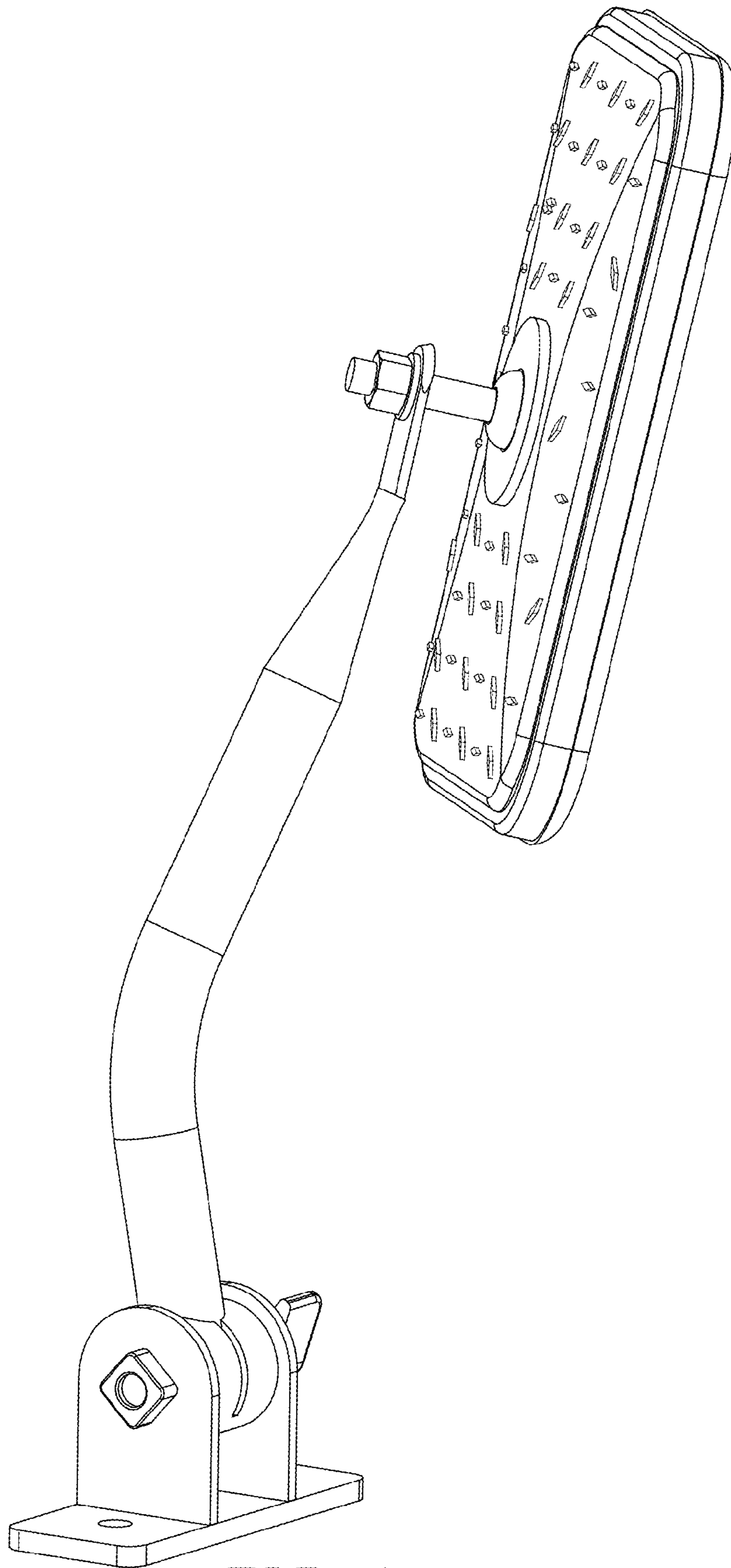


FIG. 1

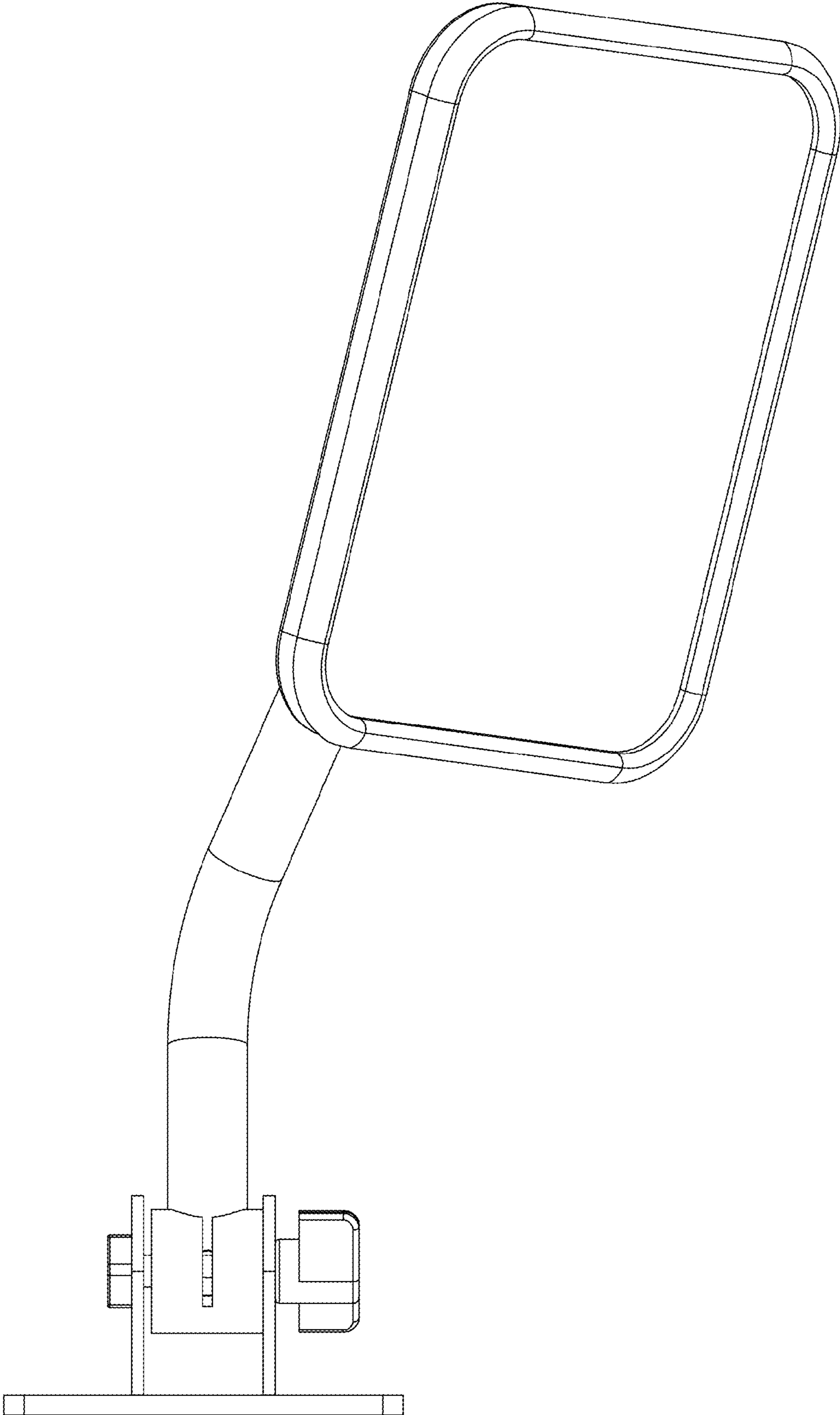


FIG. 2

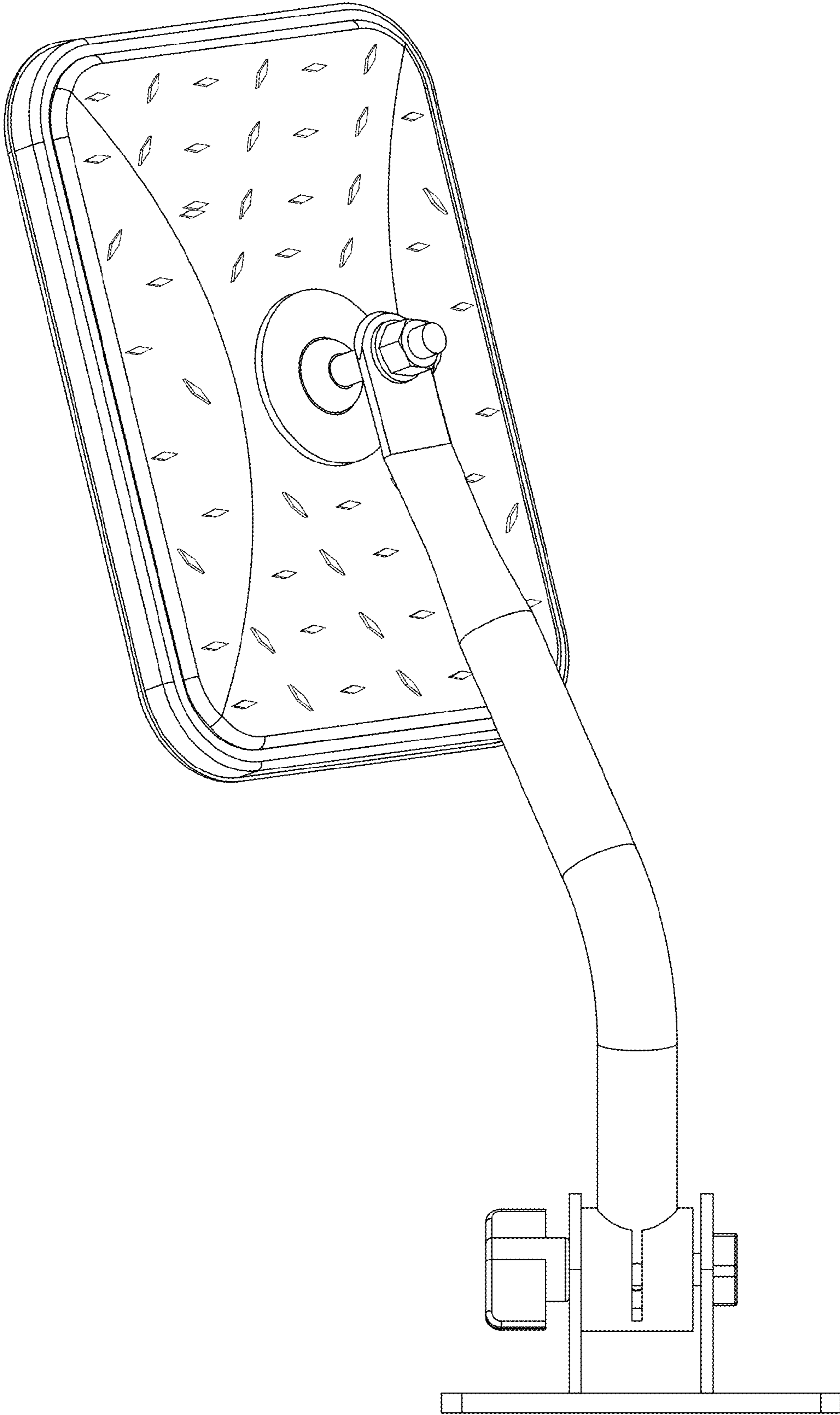


FIG. 3

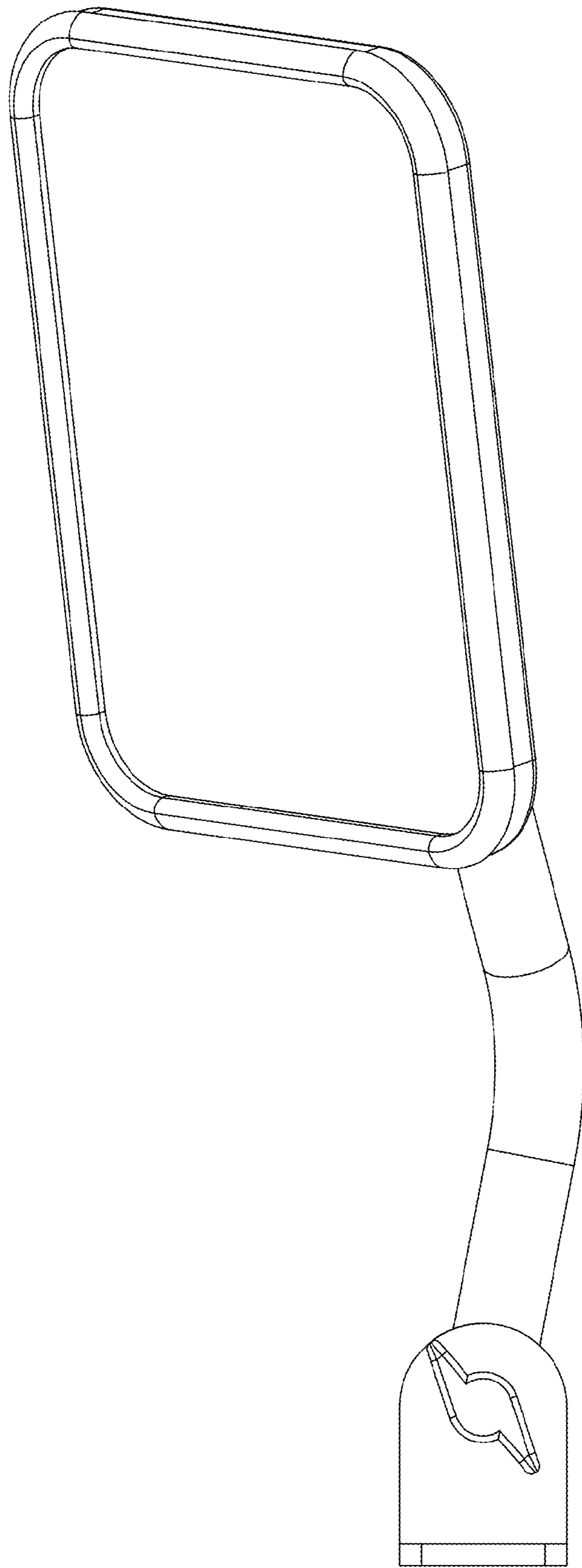


FIG. 4

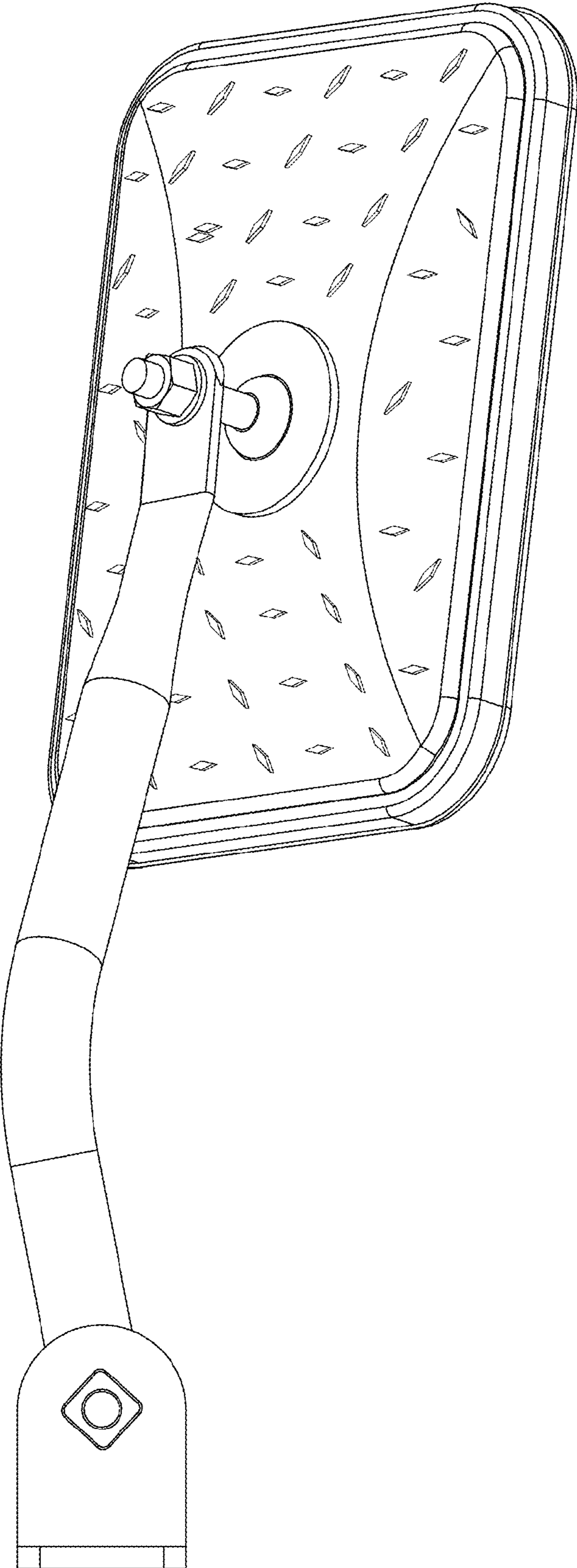


FIG. 5

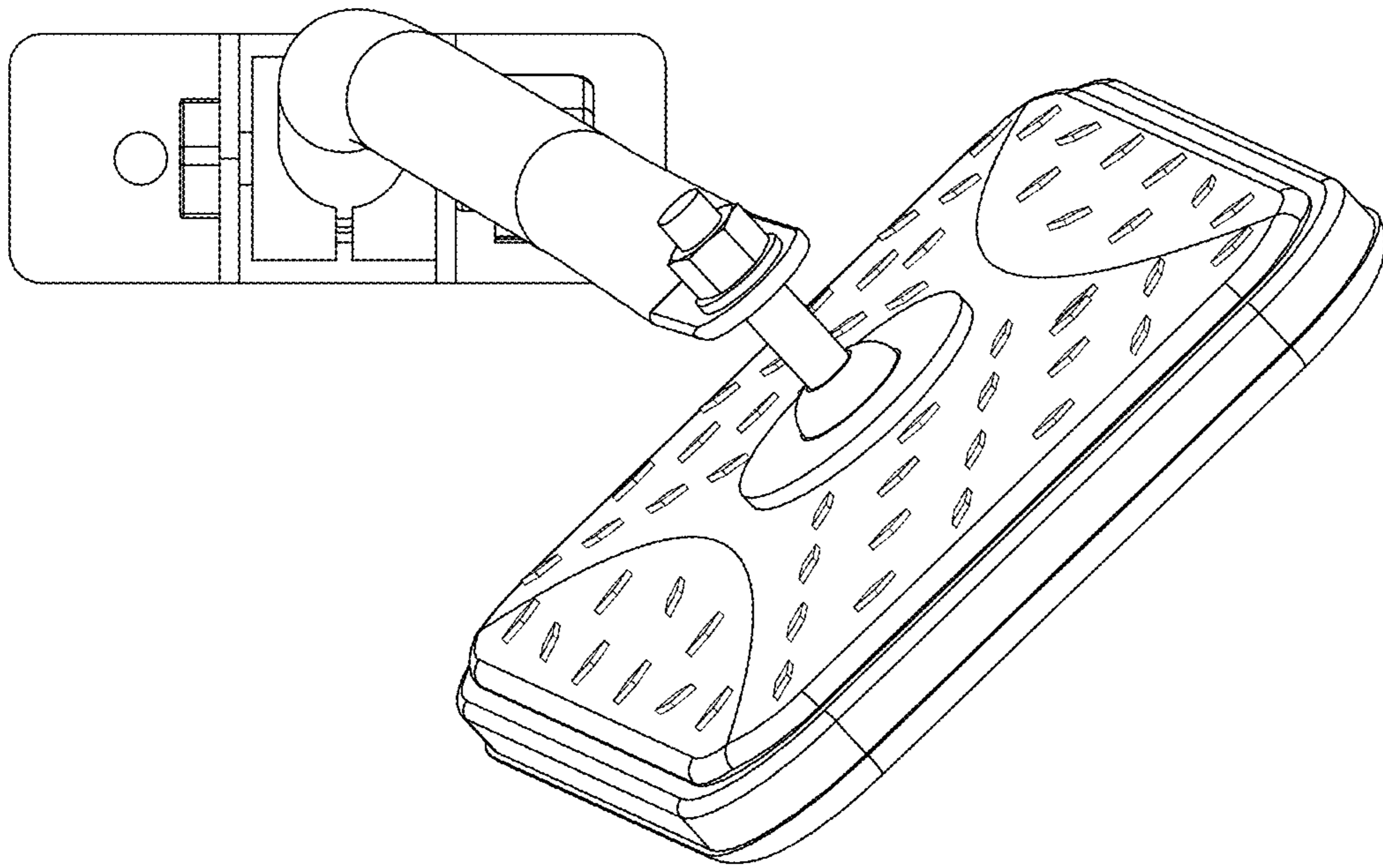


FIG. 6

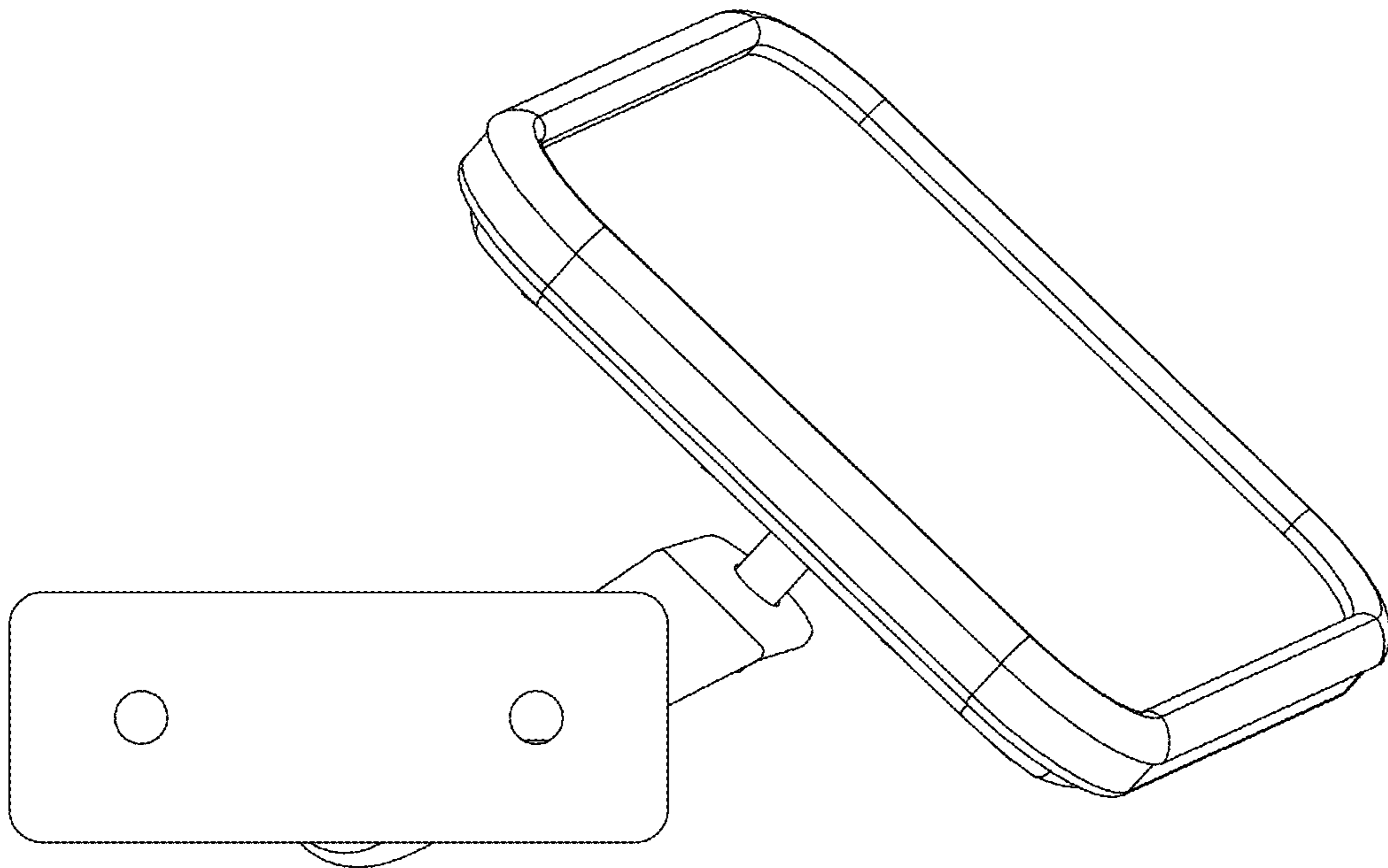


FIG. 7