



US00D873742S

(12) **United States Design Patent**
Toriyama

(10) **Patent No.:** **US D873,742 S**
(45) **Date of Patent:** **** Jan. 28, 2020**

(54) **VEHICLE FENDER**

(71) Applicant: **HONDA MOTOR CO., LTD.**,
Minato-ku, Tokyo (JP)

(72) Inventor: **Daisuke Toriyama**, Rancho Palos
Verdes, CA (US)

(73) Assignee: **HONDA MOTOR CO., LTD.**, Tokyo
(JP)

(**) Term: **15 Years**

(21) Appl. No.: **29/668,255**

(22) Filed: **Oct. 29, 2018**

(51) **LOC (12) Cl.** **12-16**

(52) **U.S. Cl.**
USPC **D12/184**

(58) **Field of Classification Search**
USPC D12/86, 90-92, 163, 169, 171, 173, 181,
D12/184, 196, 216, 388
CPC B62D 25/18; B62D 25/184; B62D 25/02;
B62D 25/16; B62D 25/161; B62D 25/168
See application file for complete search history.

(56) **References Cited**

U.S. PATENT DOCUMENTS

D491,856 S *	6/2004	Velazco	D12/196
D503,912 S *	4/2005	Metros	D12/184
D514,993 S *	2/2006	Lee	D12/184
D536,648 S *	2/2007	Fujimaki	D12/184
D560,147 S *	1/2008	Bucher	D12/184
D598,347 S *	8/2009	Mattin	D12/184
D615,013 S *	5/2010	Lamm	D12/181
D642,966 S *	8/2011	Messale	D12/181
D658,100 S *	4/2012	Kubo	D12/184
D659,616 S *	5/2012	Matsumoto	D12/184
D660,214 S *	5/2012	Cartabiano	D12/184
D711,797 S *	8/2014	Tsuchida	D12/184
D722,930 S *	2/2015	George	D12/184
D756,278 S *	5/2016	Ino	D12/184

D756,870 S *	5/2016	Tsutamori	D12/184
D767,458 S *	9/2016	Kim	D12/196
D823,741 S *	7/2018	Kim	D12/169
D841,542 S *	2/2019	Koo	D12/184
D850,341 S *	6/2019	Riggs	D12/184
D854,990 S *	7/2019	Smock	D12/184

(Continued)

OTHER PUBLICATIONS

“What’s New in the 2018 Honda Accord?” Go Hansel Official Blog,
published Aug. 31, 2017 (Retrieved from the Internet Sep. 6, 2019).
Internet URL: <<https://www.gohansel.com/blog/2018-honda-accord-vs-2017-honda-accord/>> (Year: 2017).*

(Continued)

Primary Examiner — Jack Reickel

Assistant Examiner — Rachel A Voorhies

(74) *Attorney, Agent, or Firm* — Arent Fox LLP

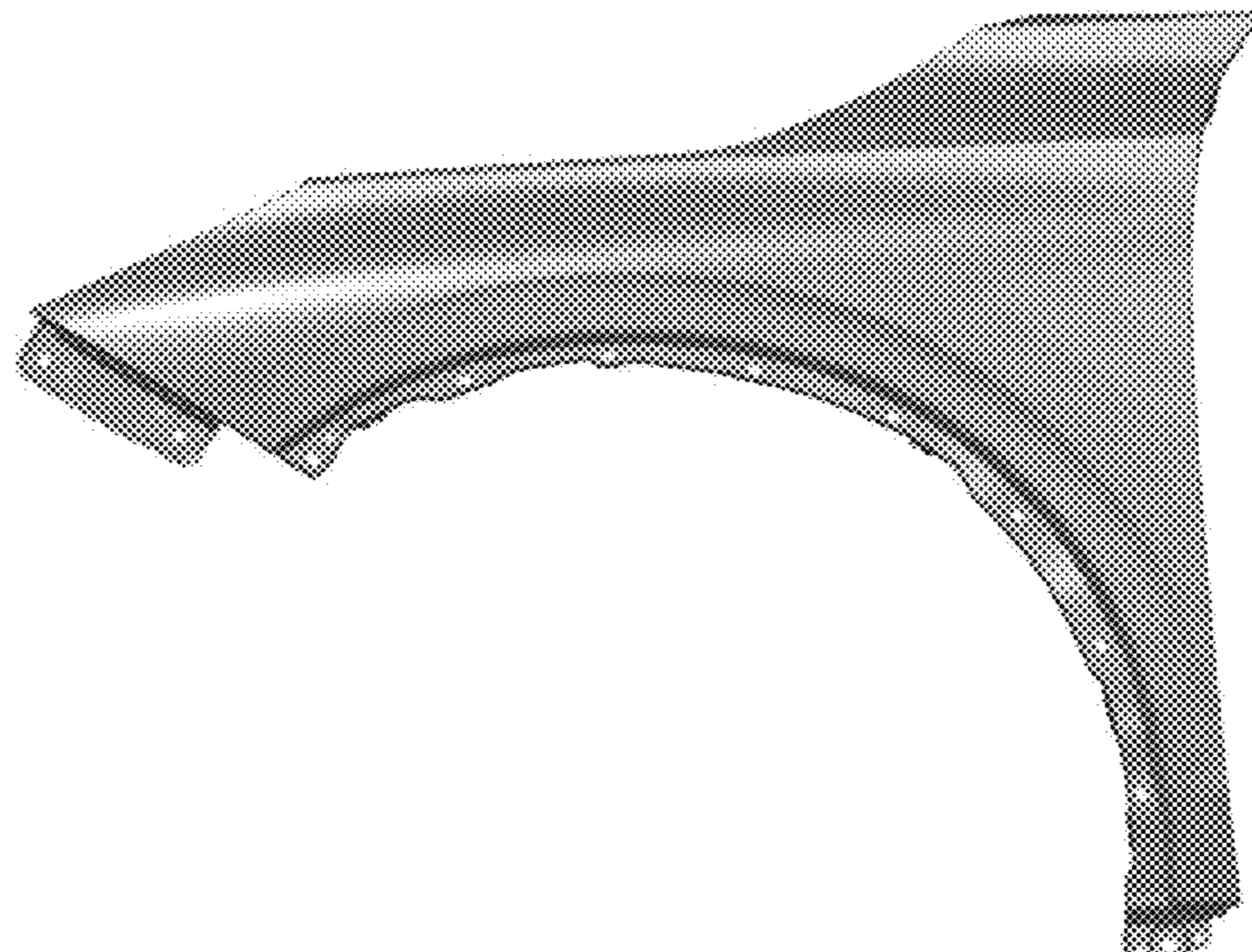
(57) **CLAIM**

The ornamental design for a vehicle fender, as shown and described.

DESCRIPTION

FIG. 1 is a rear right perspective view of a vehicle fender showing my new design;
FIG. 2 is a front right perspective view of the design shown in FIG. 1;
FIG. 3 is a front left perspective view of the design shown in FIG. 1;
FIG. 4 is a rear left perspective view of the design shown in FIG. 1;
FIG. 5 is a right side view of the design shown in FIG. 1;
FIG. 6 is a left side view of the design shown in FIG. 1;
FIG. 7 is a front view of the design shown in FIG. 1;
FIG. 8 is a rear view of the design shown in FIG. 1;
FIG. 9 is a top view of the design shown in FIG. 1; and,
FIG. 10 is a bottom view of the design shown in FIG. 1.

1 Claim, 10 Drawing Sheets



(56)

References Cited

U.S. PATENT DOCUMENTS

D855,518 S * 8/2019 Whitla D12/184
D855,521 S * 8/2019 Grewer D12/184
2014/0367997 A1* 12/2014 Yamanaka B62D 25/163
296/191
2018/0281041 A1* 10/2018 Davis B21D 22/30

OTHER PUBLICATIONS

“19 Beautiful 2019 Honda Ridgeline Changes.” anfmastmen,
published Sep. 18, 2018 (Retrieved from the Internet Sep. 6, 2019).
Internet URL: <<http://anfmastmen.blogspot.com/2018/09/19-beautiful-2019-honda-ridgeline.html>> (Year: 2018).*

* cited by examiner

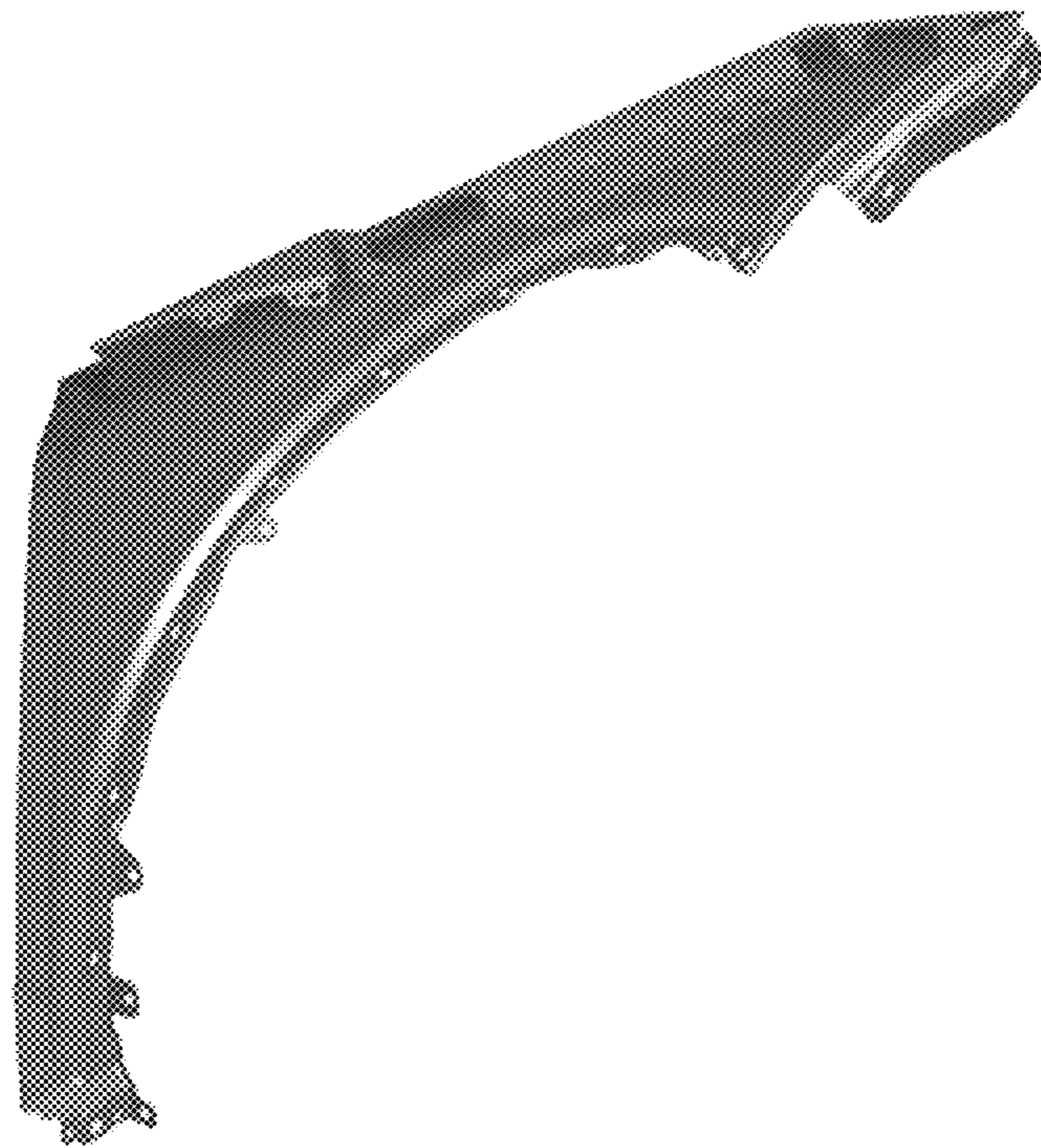


FIG. 1

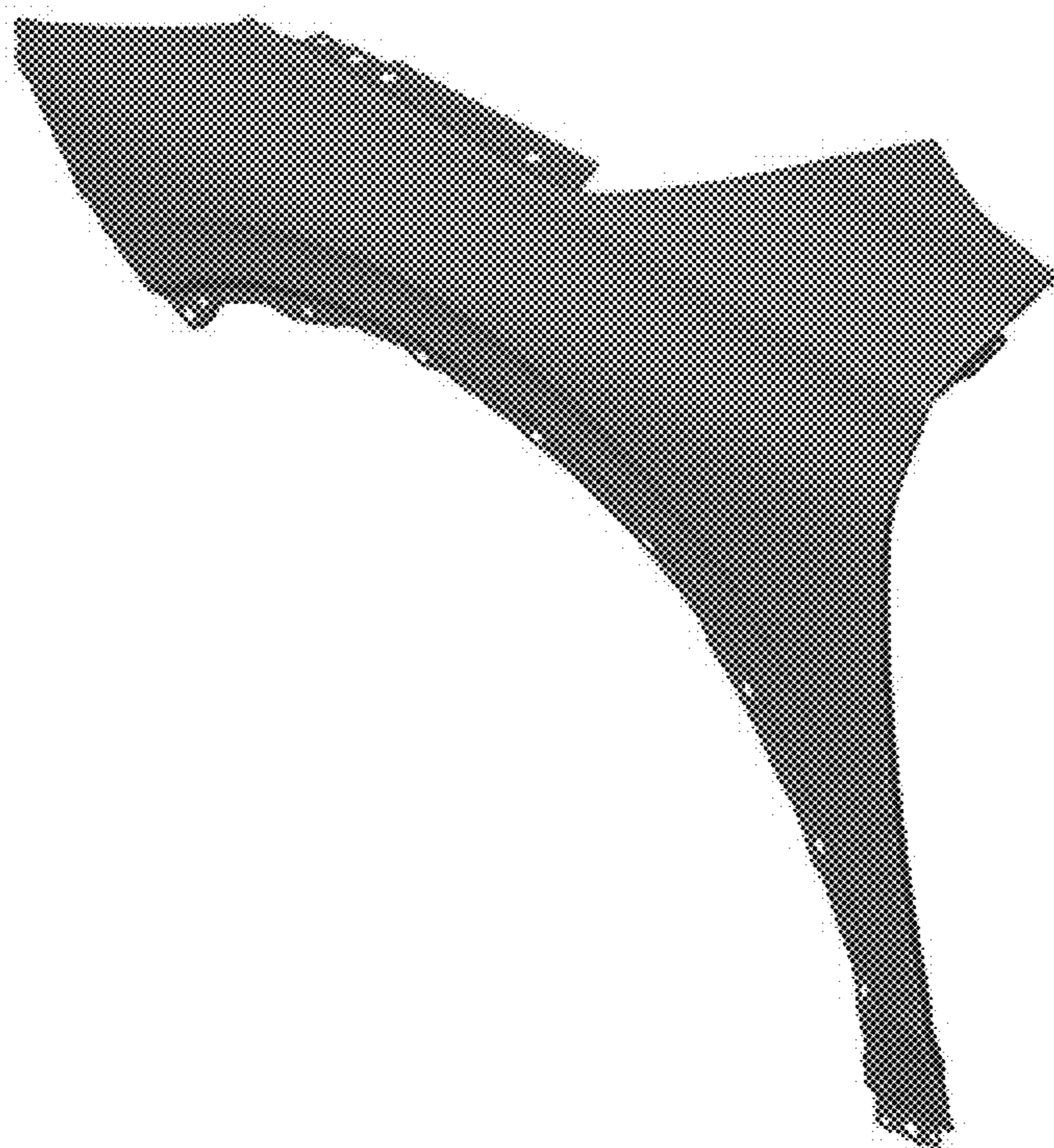


FIG. 2

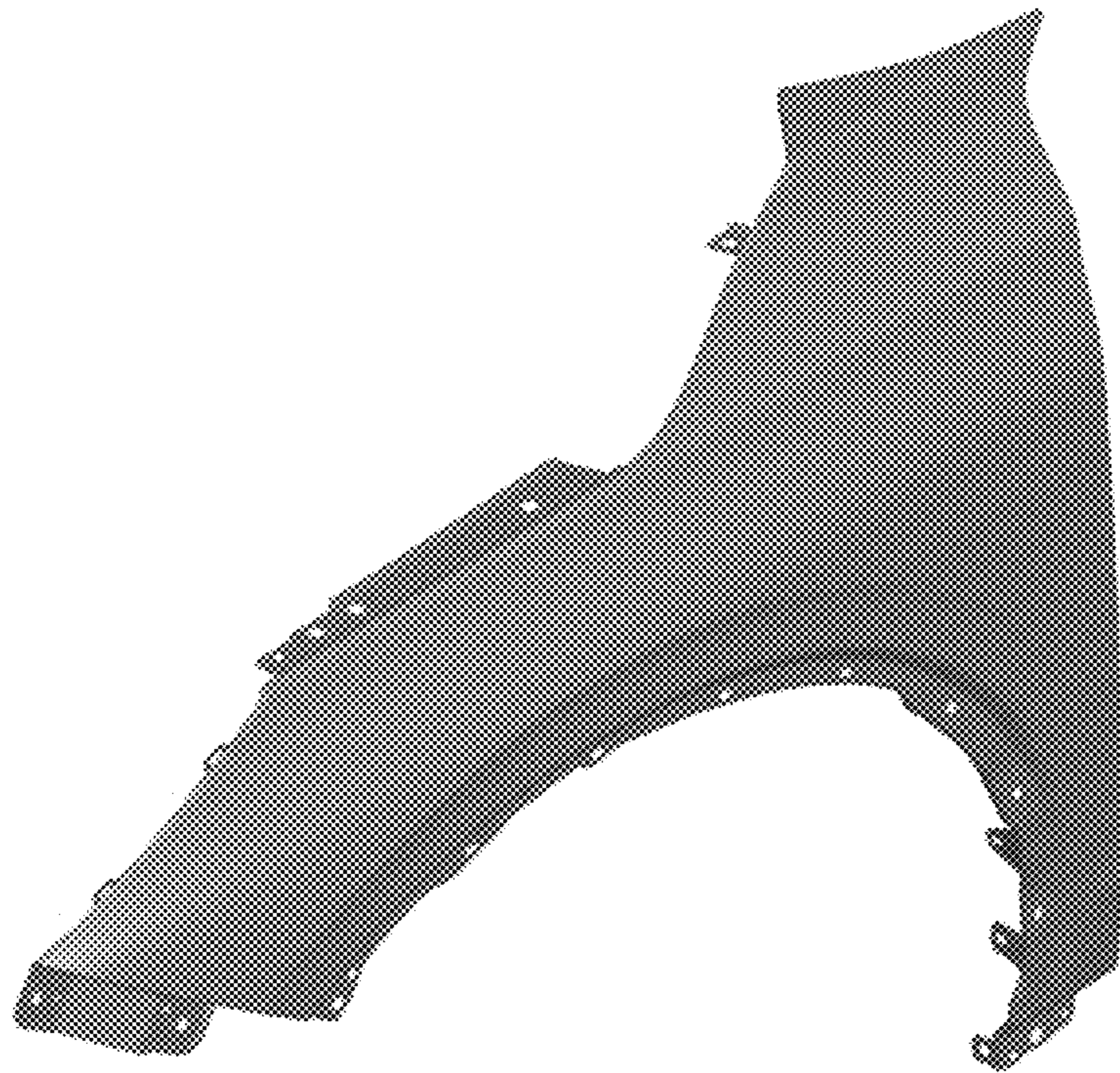


FIG. 3

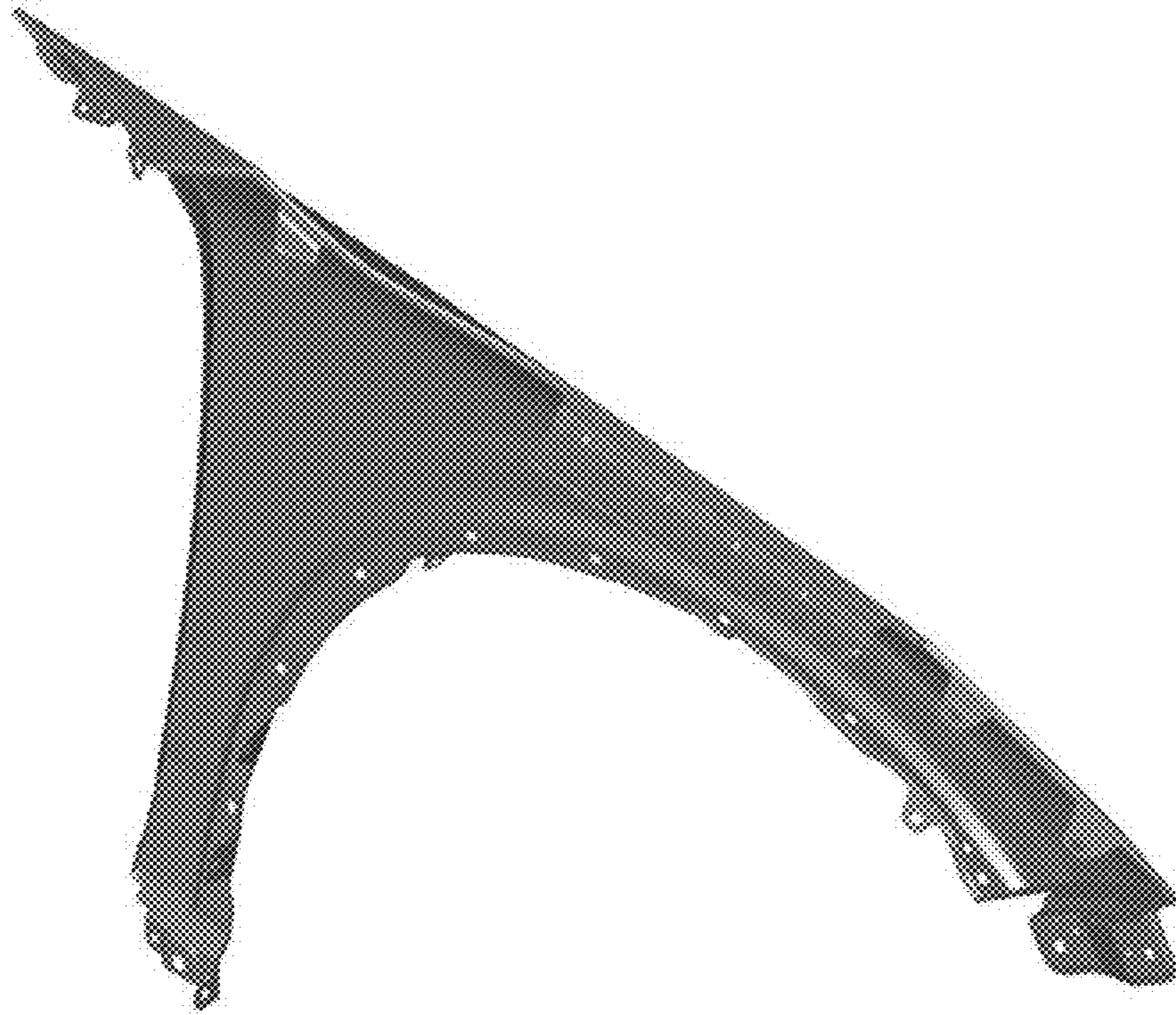


FIG. 4

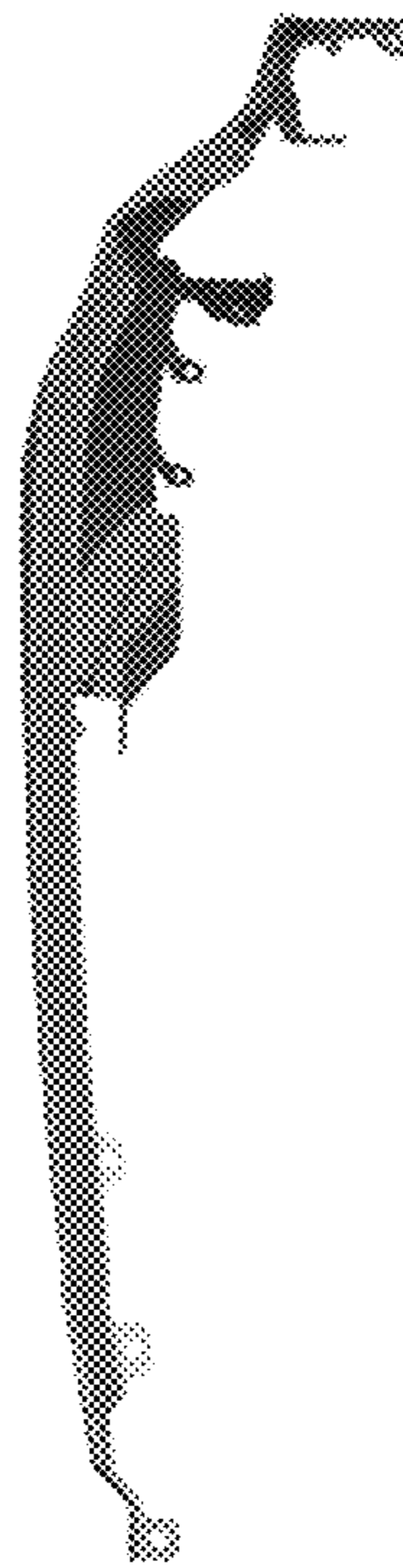


FIG. 5

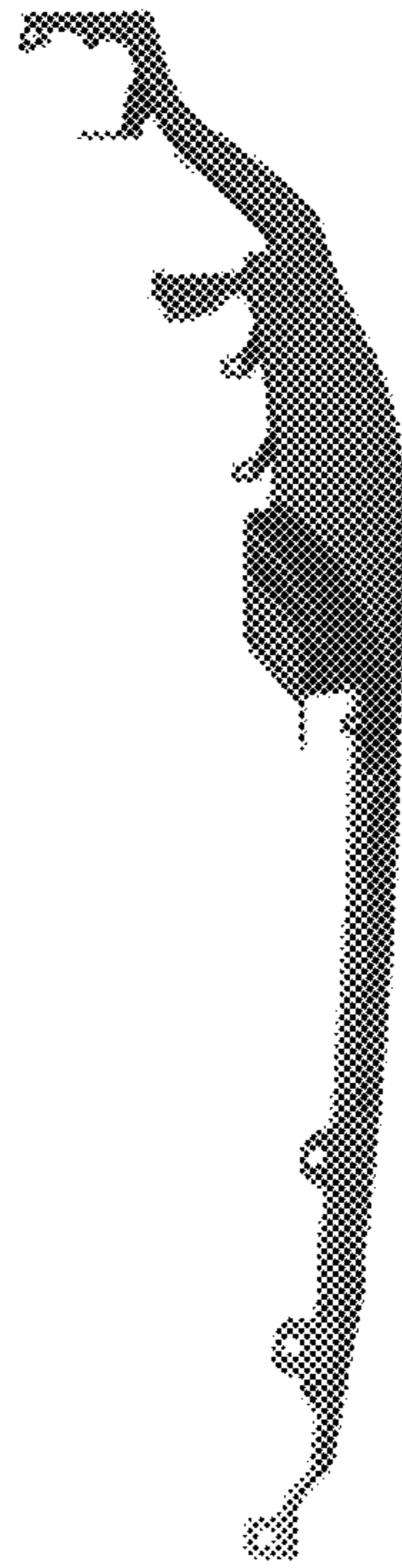


FIG. 6

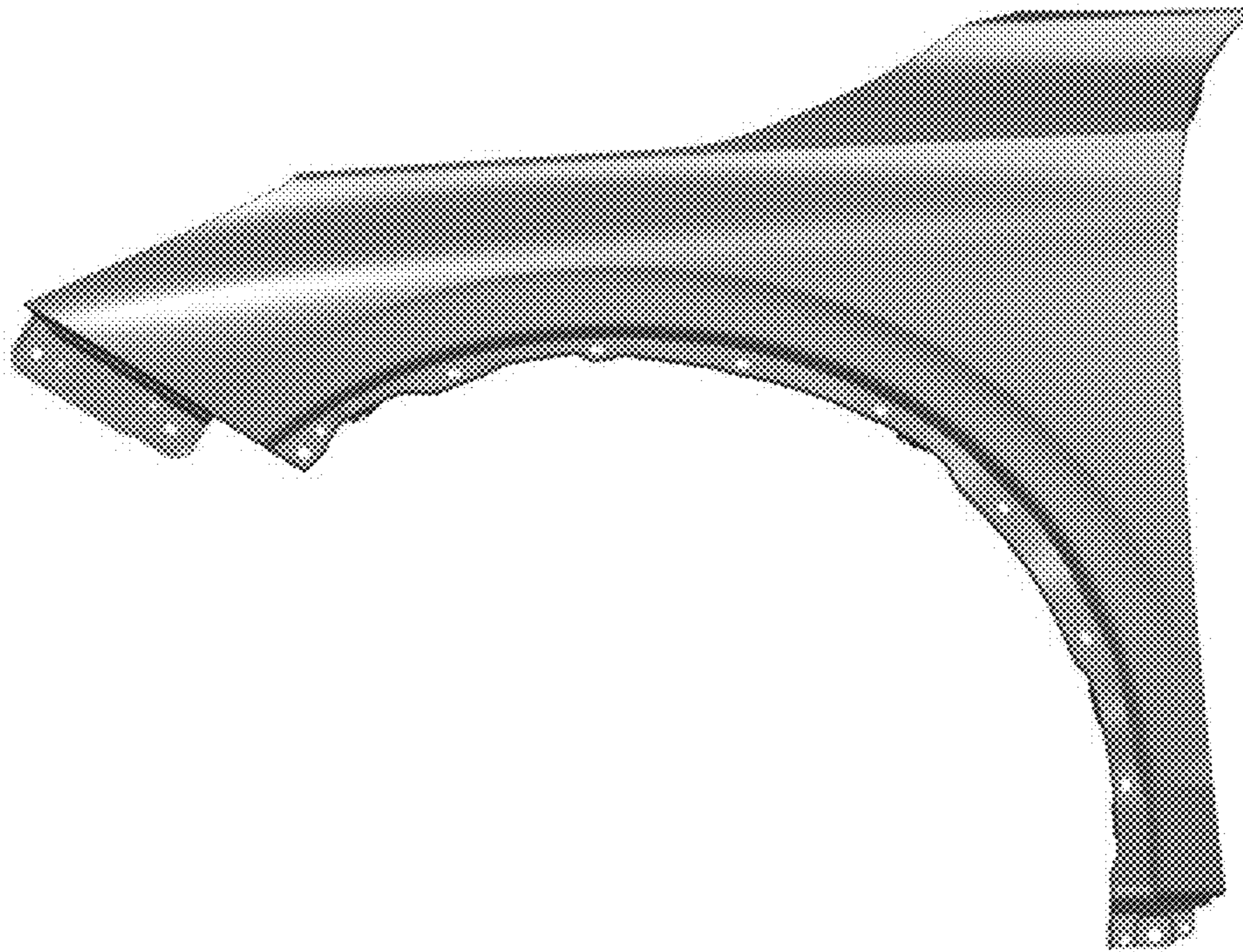


FIG. 7

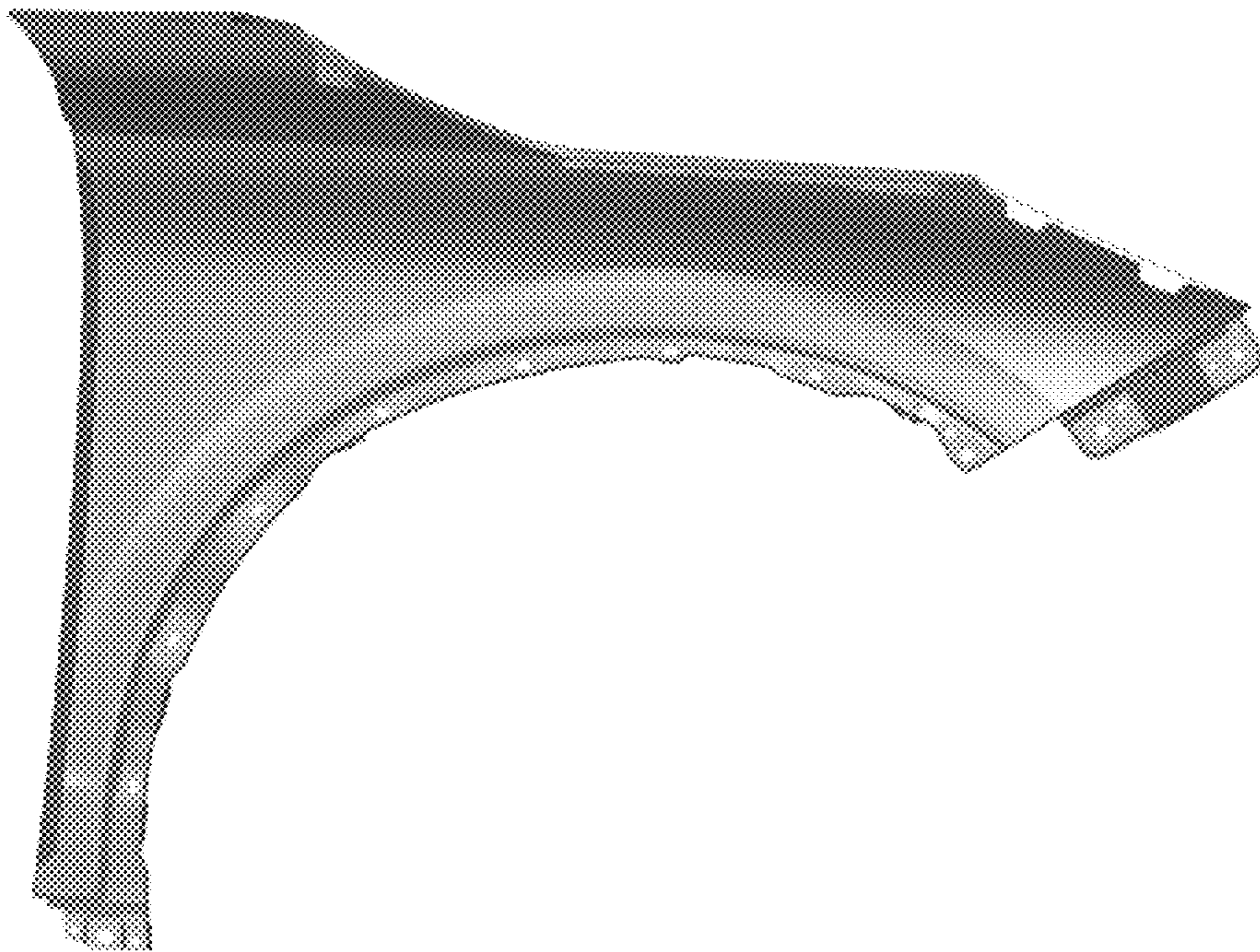


FIG. 8

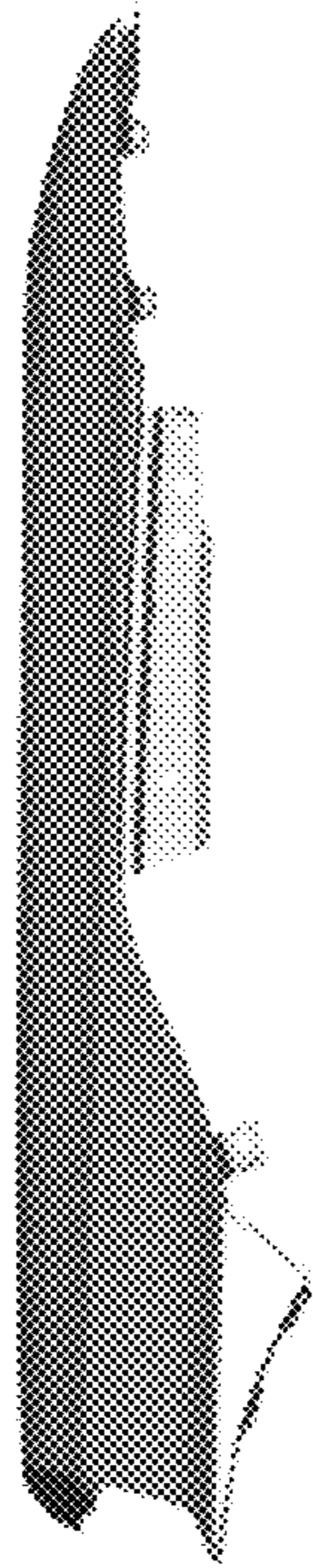


FIG. 9

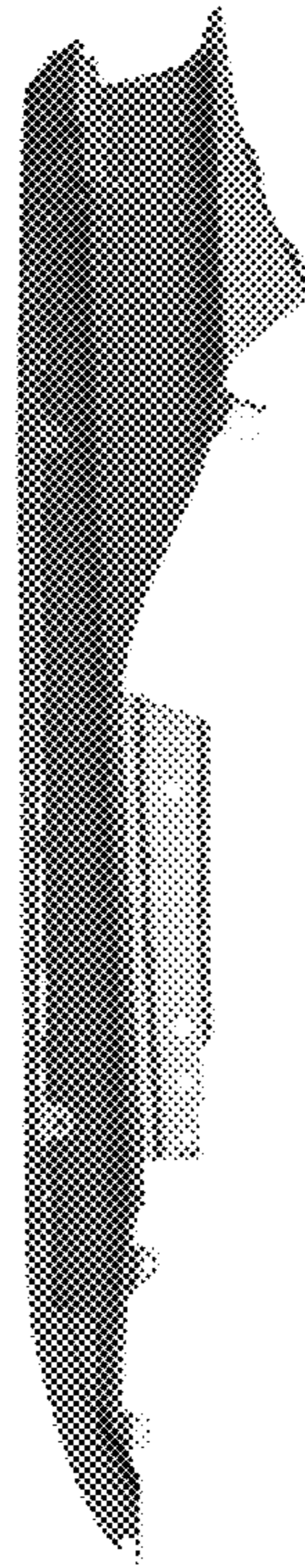


FIG. 10