



US00D873741S

(12) **United States Design Patent** (10) **Patent No.:** **US D873,741 S**
Davidson (45) **Date of Patent:** **** Jan. 28, 2020**

(54) **VEHICLE FENDER**
(71) Applicant: **HONDA MOTOR CO., LTD.**,
Minato-ku, Tokyo (JP)
(72) Inventor: **Benjamin R. Davidson**, Torrance, CA
(US)
(73) Assignee: **HONDA MOTOR CO., LTD.**, Tokyo
(JP)
(**) Term: **15 Years**
(21) Appl. No.: **29/668,242**
(22) Filed: **Oct. 29, 2018**
(51) **LOC (12) Cl.** **12-16**
(52) **U.S. Cl.**
USPC **D12/184**
(58) **Field of Classification Search**
USPC D12/86, 90-92, 163, 169, 171, 173, 181,
D12/184, 196, 216, 388
CPC B62D 25/18; B62D 25/184; B62D 25/02;
B62D 25/16; B62D 25/161; B62D 25/168
See application file for complete search history.

D700,107 S * 2/2014 Badstuebner D12/93
D711,797 S * 8/2014 Tsuchida D12/184
D767,460 S * 9/2016 Kozub D12/196
D768,551 S * 10/2016 Arroba D12/196
D789,856 S * 6/2017 Wolff D12/196
(Continued)

OTHER PUBLICATIONS

“Evan-Fischer EVA16972055123.” Amazon.com, published Sep. 19, 2012 (Retrieved from the Internet Sep. 6, 2019). Internet URL: <https://www.amazon.com/...VA16972055123-Fender-1999-2000-Primed/dp/B009DK4BL2/ref=sr_1_7?keywords=honda+fender&qid=1567798021&rnid=2941120011&s=automotive&sr=1-7> (Year: 2012).*

(Continued)

Primary Examiner — Jack Reickel
Assistant Examiner — Rachel A Voorhies
(74) *Attorney, Agent, or Firm* — Arent Fox LLP

(57) **CLAIM**

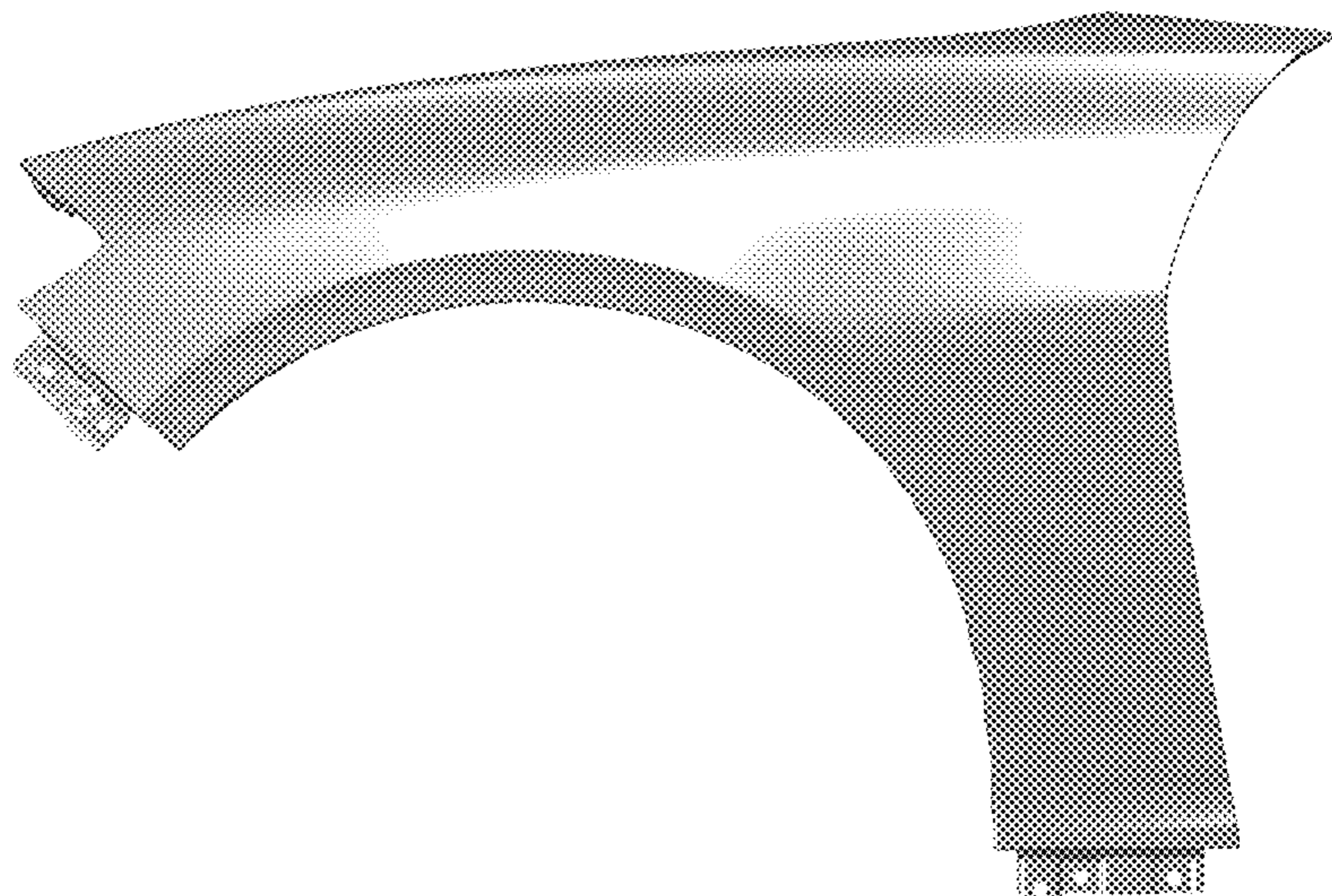
The ornamental design for a vehicle fender, as shown and described.

DESCRIPTION

FIG. 1 is a rear right perspective view of a vehicle fender showing my new design;
FIG. 2 is a front right perspective view of the design shown in FIG. 1;
FIG. 3 is a front left perspective view of the design shown in FIG. 1;
FIG. 4 is a rear left perspective view of the design shown in FIG. 1;
FIG. 5 is a right side view of the design shown in FIG. 1;
FIG. 6 is a left side view of the design shown in FIG. 1;
FIG. 7 is a front view of the design shown in FIG. 1;
FIG. 8 is a rear view of the design shown in FIG. 1;
FIG. 9 is a top view of the design shown in FIG. 1; and,
FIG. 10 is a bottom view of the design shown in FIG. 1.

1 Claim, 10 Drawing Sheets

(56) **References Cited**
U.S. PATENT DOCUMENTS
D317,586 S * 6/1991 Yoshinao D12/184
D489,656 S * 5/2004 Kneefel D12/184
D503,912 S * 4/2005 Metros D12/184
D511,486 S * 11/2005 Nagashima D12/196
D514,993 S * 2/2006 Lee D12/184
D542,200 S * 5/2007 Levy D12/184
D593,915 S * 6/2009 Habib D12/184
D597,459 S * 8/2009 Wagner D12/184
D615,012 S * 5/2010 Ectors D12/181
D620,407 S * 7/2010 Froehlich D12/184
D642,101 S * 7/2011 Faghihzadeh D12/181
D654,413 S * 2/2012 Okumoto D12/184
D659,616 S * 5/2012 Matsumoto D12/184
D696,158 S * 12/2013 Akojima D12/92
D699,155 S * 2/2014 Okue D12/91
D699,644 S * 2/2014 Futschik D12/181



(56)

References Cited

U.S. PATENT DOCUMENTS

D805,013 S * 12/2017 Whitla D12/181
D821,938 S * 7/2018 Bucher D12/169
D827,529 S * 9/2018 Al Attar D12/184
D856,879 S * 8/2019 Woodhouse D12/184
2017/0158248 A1* 6/2017 Chai B62D 25/161

OTHER PUBLICATIONS

“OPR Replacement Fender.” American Muscle, published Apr. 30, 2017 (Retrieved from the Internet Sep. 6, 2019). Internet URL: <<https://web.archive.org/web/20170430152744/https://www.americanmuscle.com/mustang-fender-right-0509gt.html>> (Year: 2017).*

* cited by examiner

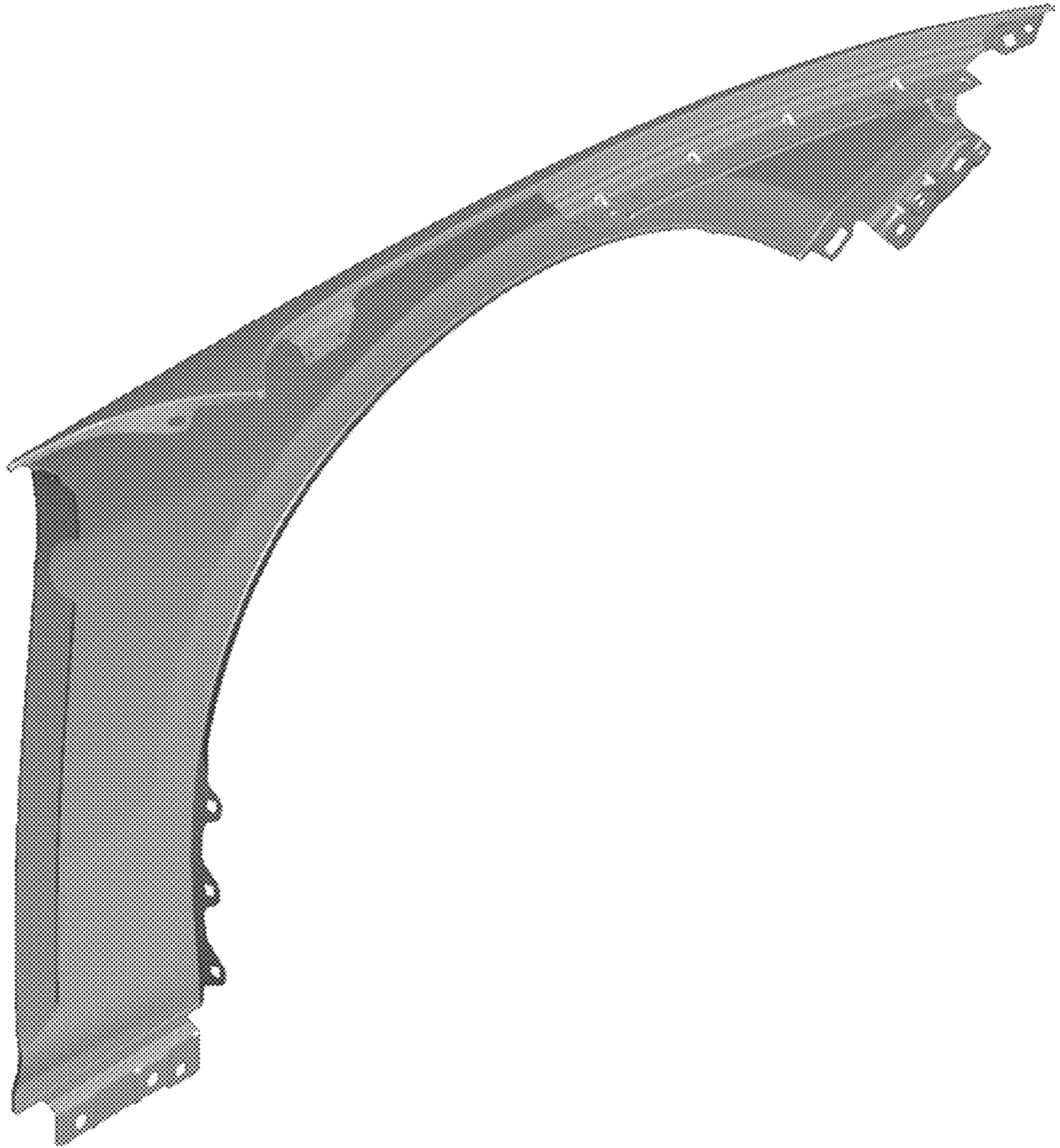


FIG. 1

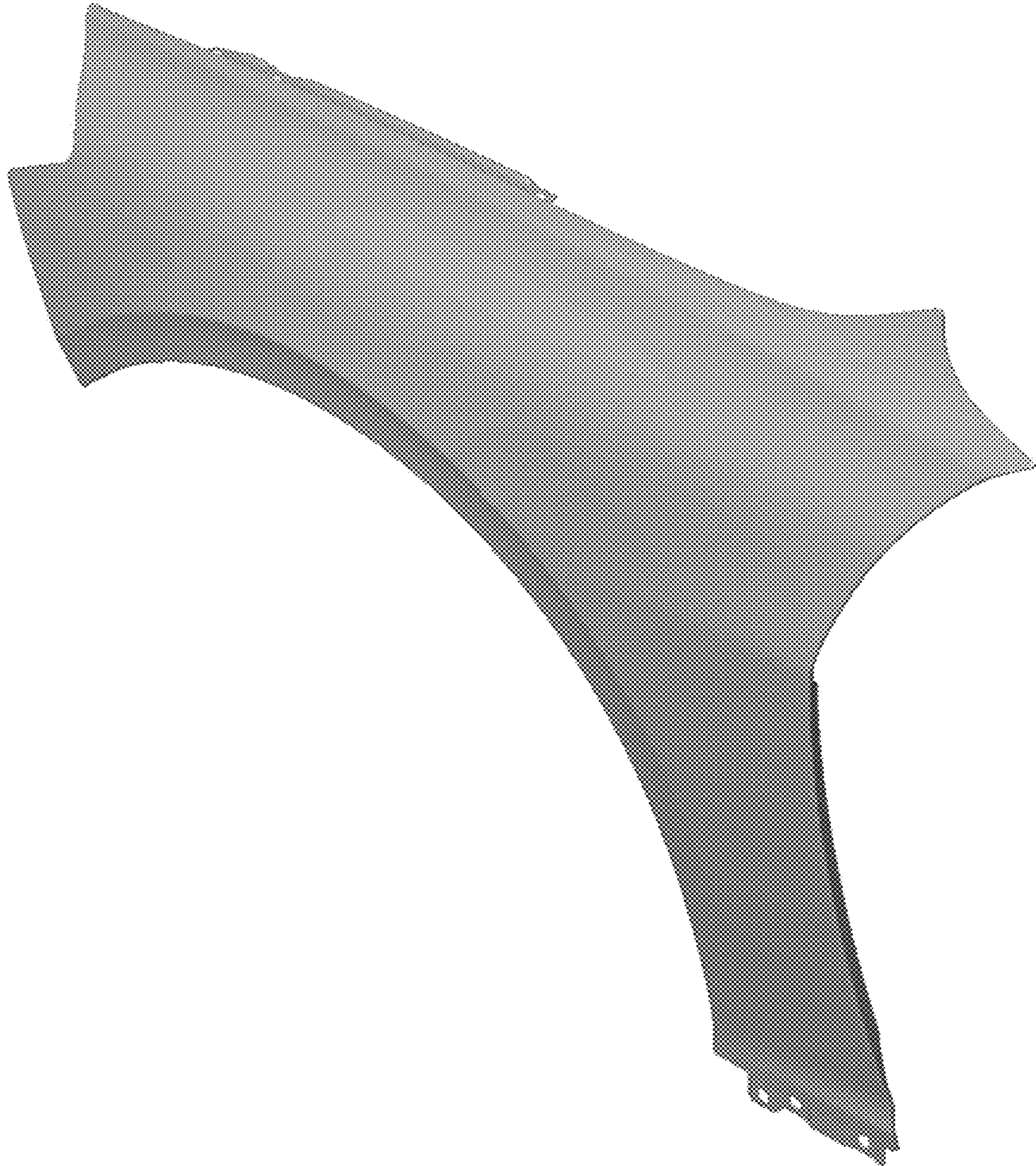


FIG. 2

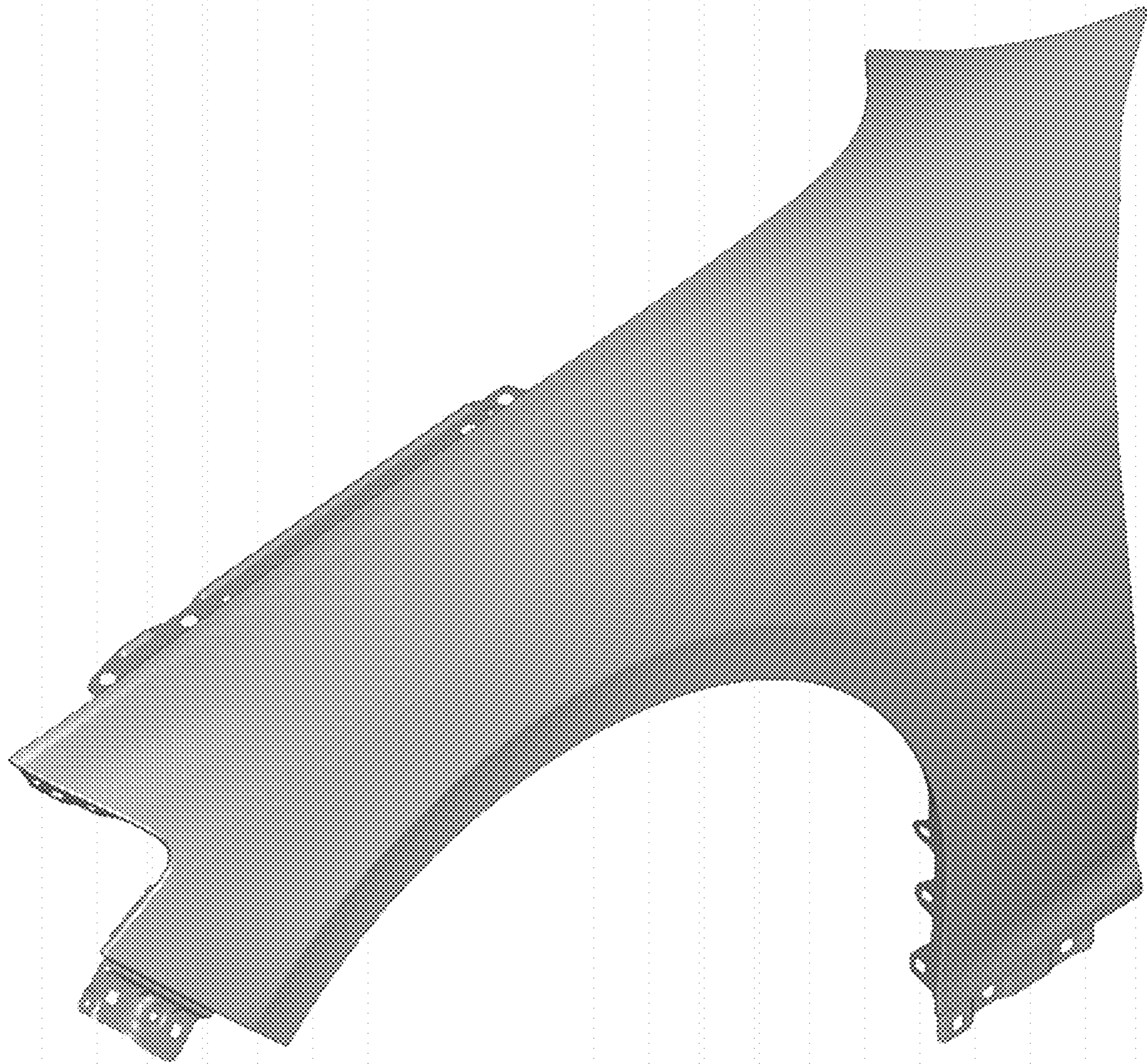


FIG. 3

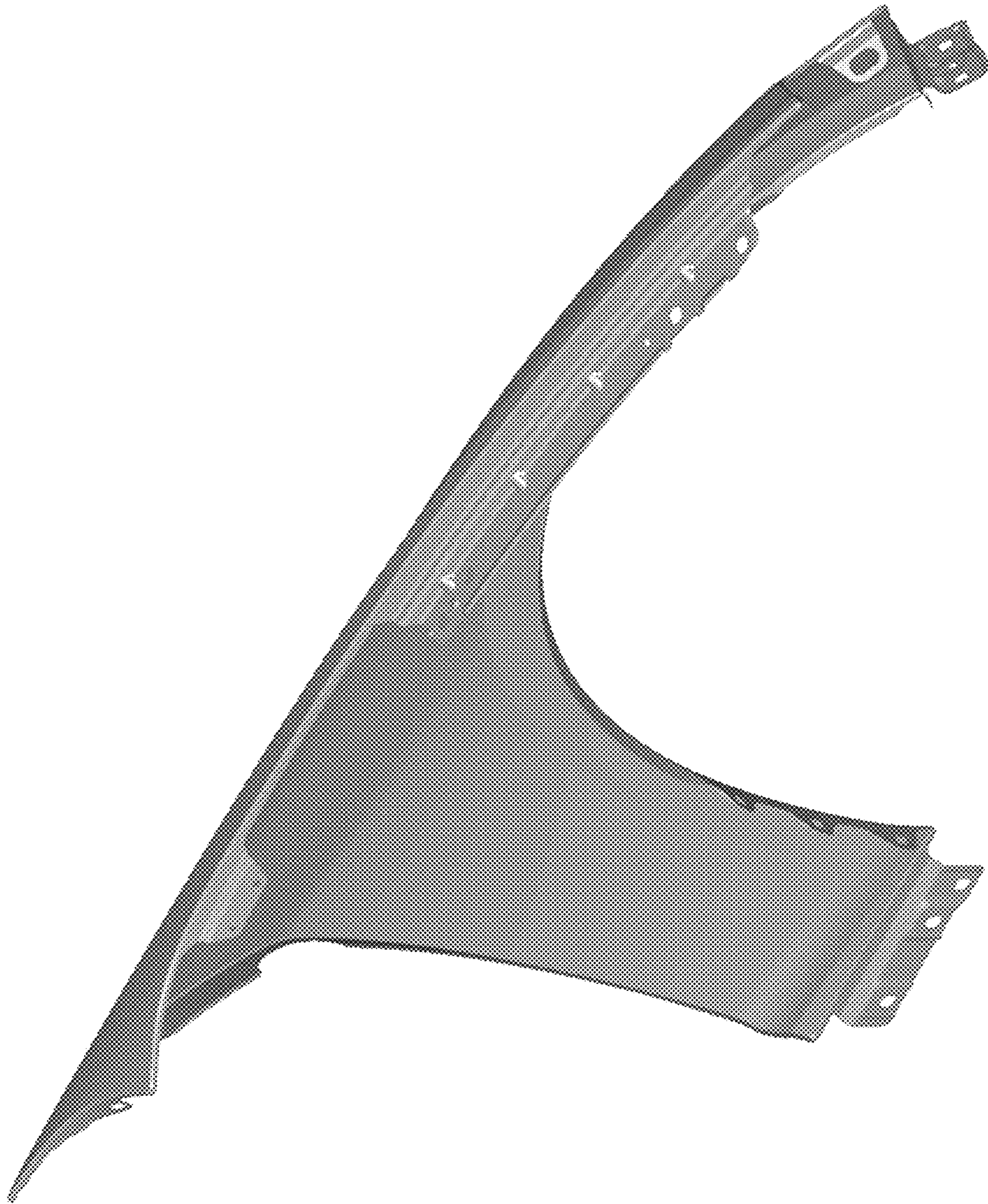


FIG. 4

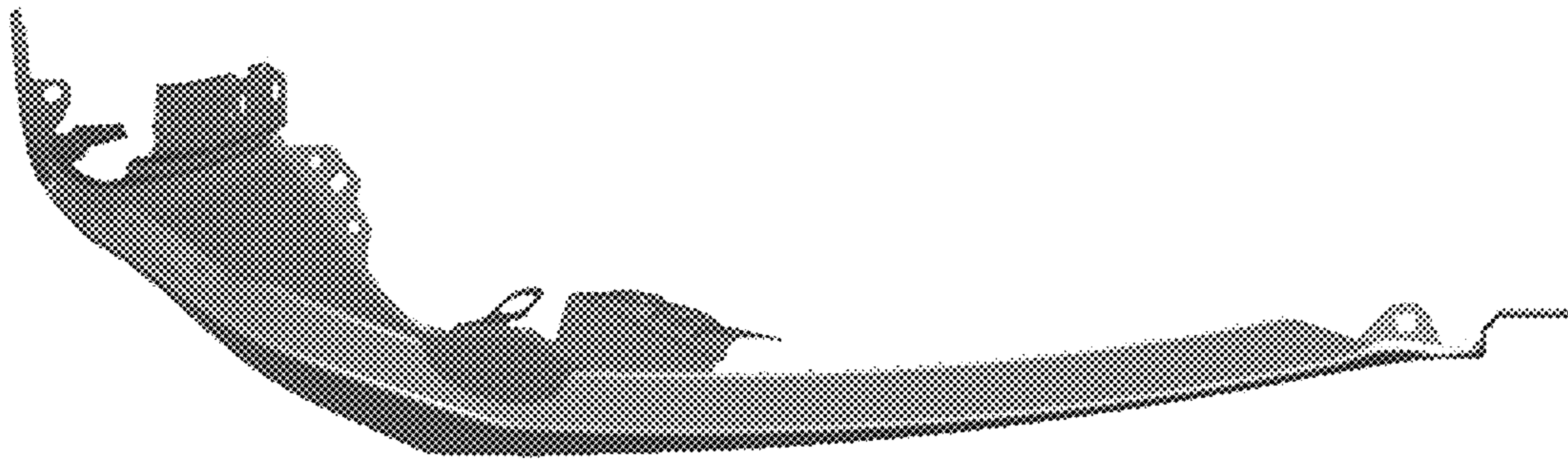


FIG. 5

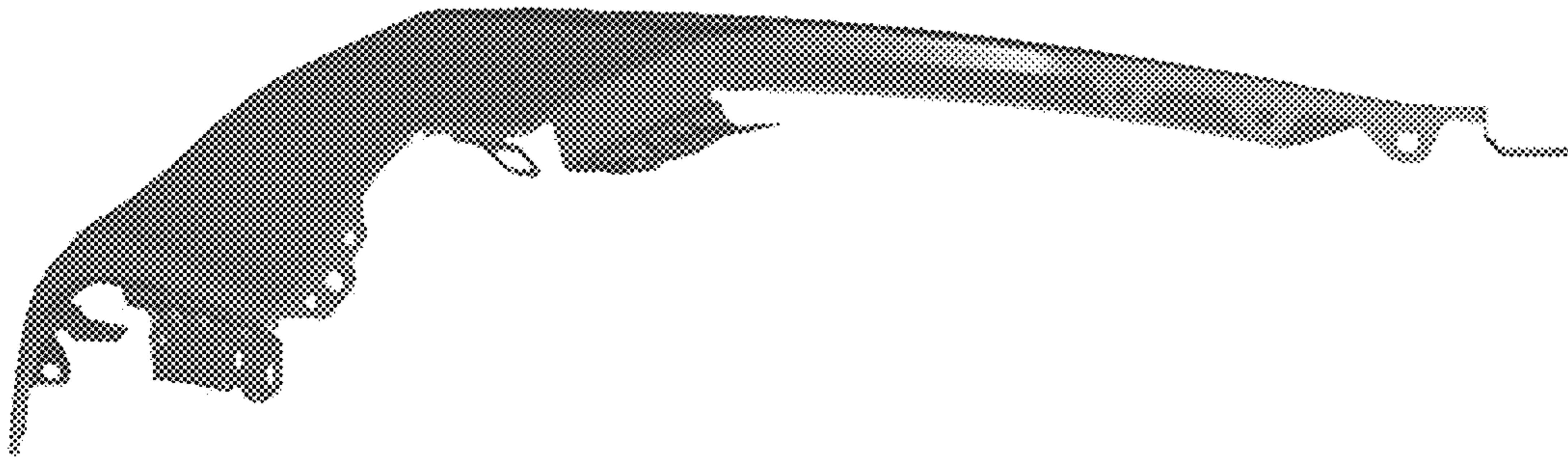


FIG. 6

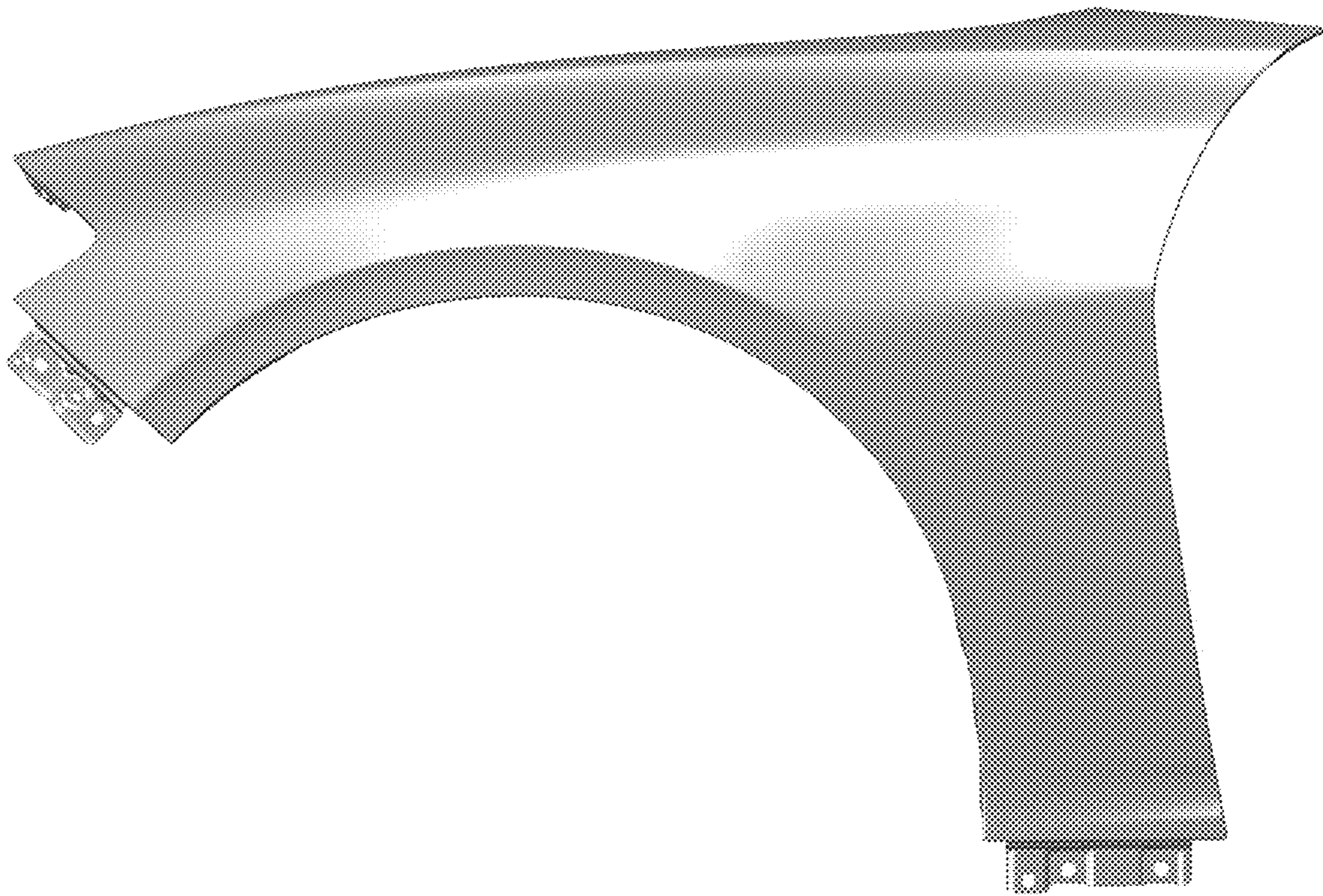


FIG. 7

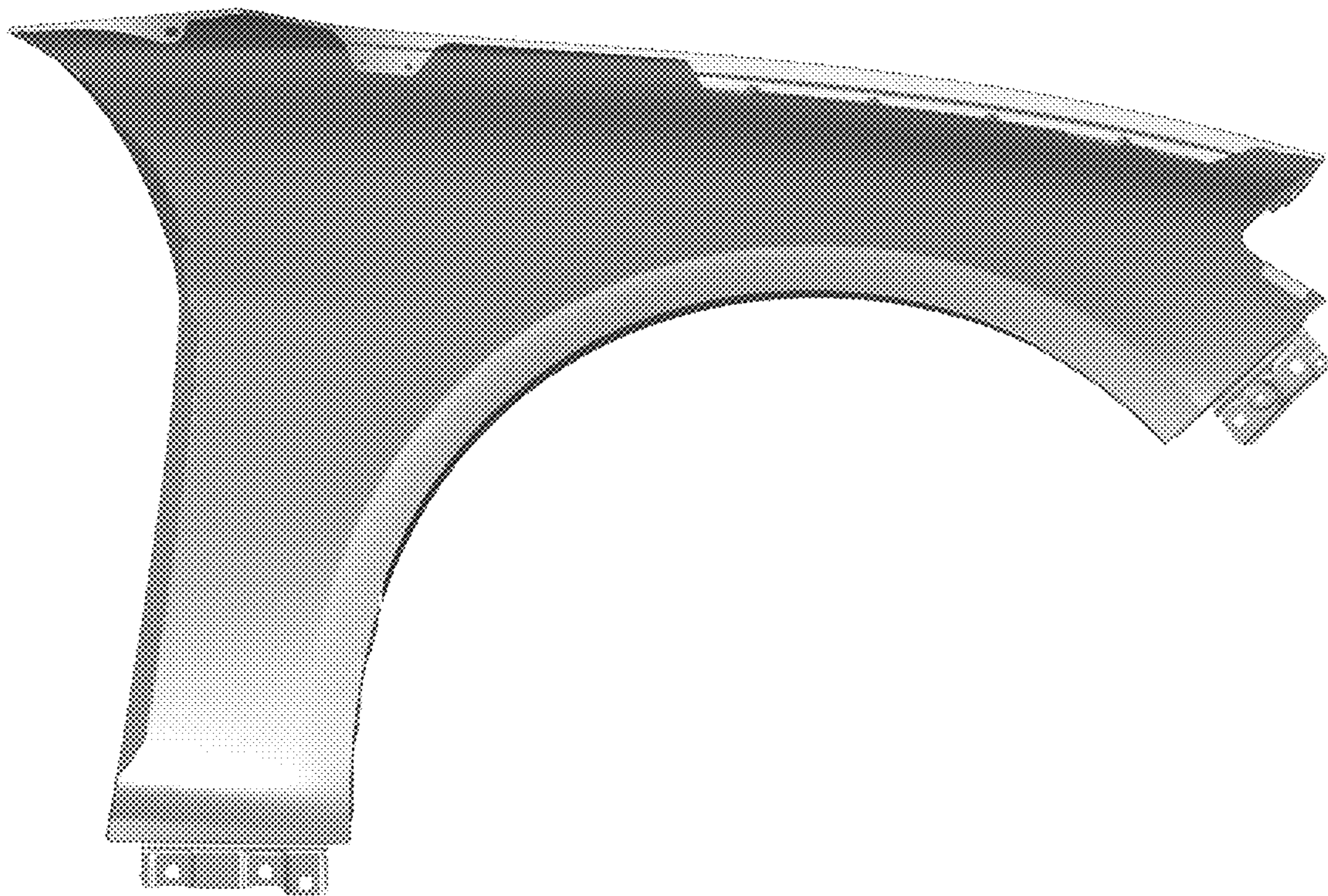


FIG. 8

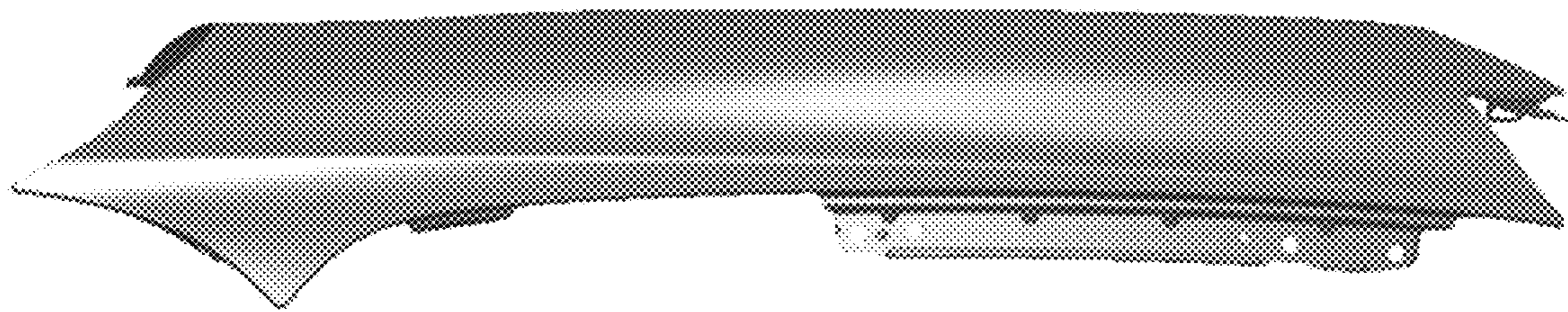


FIG. 9



FIG. 10