



US00D873733S

(12) **United States Design Patent**
Kozub

(10) **Patent No.:** **US D873,733 S**

(45) **Date of Patent:** **** Jan. 28, 2020**

- (54) **VEHICLE FRONT LOWER BUMPER**
- (71) Applicant: **GM GLOBAL TECHNOLOGY OPERATIONS LLC**, Detroit, MI (US)
- (72) Inventor: **Timothy P. Kozub**, Troy, MI (US)
- (73) Assignee: **GM GLOBAL TECHNOLOGY OPERATIONS LLC**, Detroit, MI (US)

D796,398 S *	9/2017	Badstuebner	D12/169
D811,289 S *	2/2018	Bucher	D12/169
D813,748 S *	3/2018	Kim	D12/169
D813,749 S *	3/2018	Bucher	D12/169
D813,755 S *	3/2018	Loeb	D12/169
D821,950 S *	7/2018	Kozub	D12/196
D842,777 S *	3/2019	Austin	D12/169
D844,584 S *	4/2019	Wheel	D12/169
D850,989 S *	6/2019	Kozub	D12/169
D854,467 S *	7/2019	Smith	D12/169
D863,152 S *	10/2019	Kozub	D12/169

(**) Term: **15 Years**

* cited by examiner

(21) Appl. No.: **29/690,782**

Primary Examiner — Melody N Brown

(22) Filed: **May 10, 2019**

Related U.S. Application Data

(62) Division of application No. 29/675,269, filed on Dec. 30, 2018, now Pat. No. Des. 863,152, which is a division of application No. 29/609,078, filed on Jun. 28, 2017, now Pat. No. Des. 850,989.

(51) **LOC (12) Cl.** **12-16**

(52) **U.S. Cl.**
USPC **D12/169**

(58) **Field of Classification Search**
USPC D12/169, 196, 163, 86, 90–92, 173;
296/180.1, 180.2; 293/102, 113, 115
CPC B60R 19/02; B60R 19/04; B62D 25/08
See application file for complete search history.

(56) **References Cited**

U.S. PATENT DOCUMENTS

D746,190 S *	12/2015	Wolff	D12/169
D746,737 S *	1/2016	Wolff	D12/169

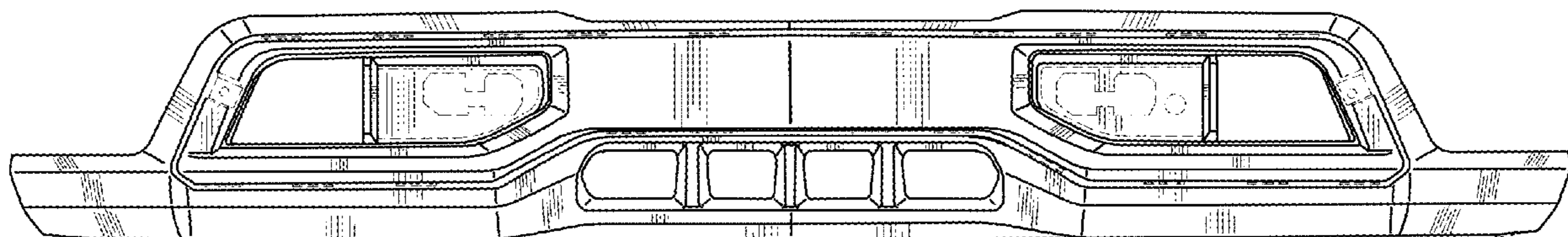
(57) **CLAIM**

The ornamental design for a vehicle front lower bumper, as shown and described.

DESCRIPTION

FIG. 1 is a front and left side perspective view of a vehicle front lower bumper showing my new design; FIG. 2 is a left side elevation view thereof, the right side being a mirror image of the left side shown; FIG. 3 is a front elevation view thereof; and, FIG. 4 is a bottom plan view thereof. The broken lines shown in the drawings depict portions of the vehicle front lower bumper that form no part of the claimed design.

1 Claim, 2 Drawing Sheets



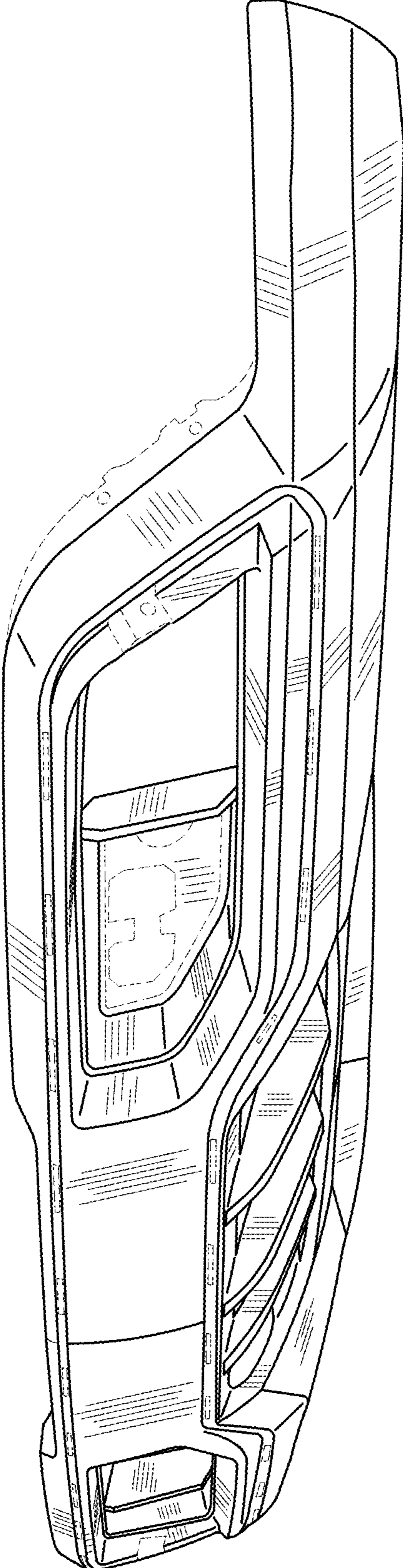


FIG. 1

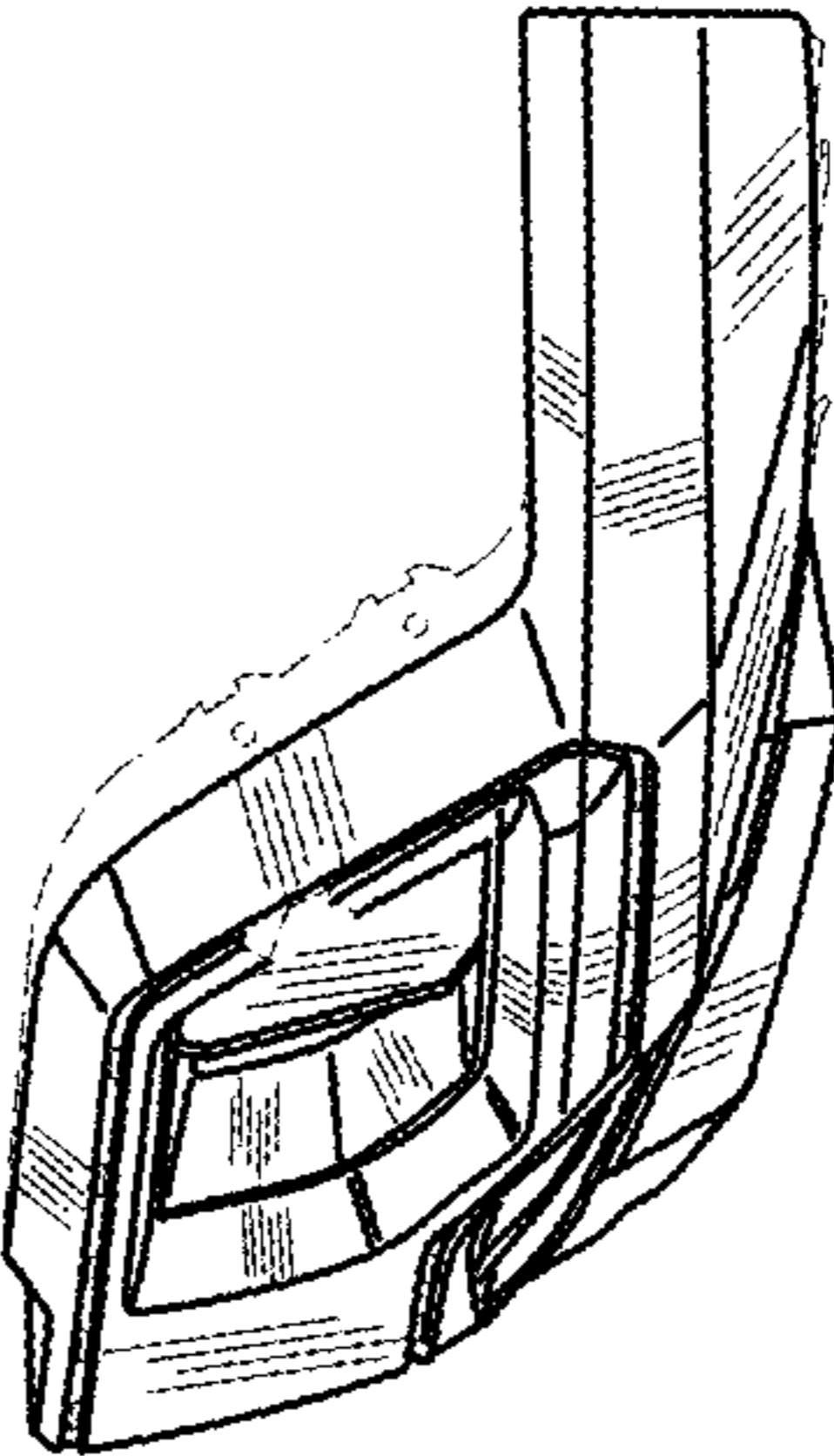


FIG. 2

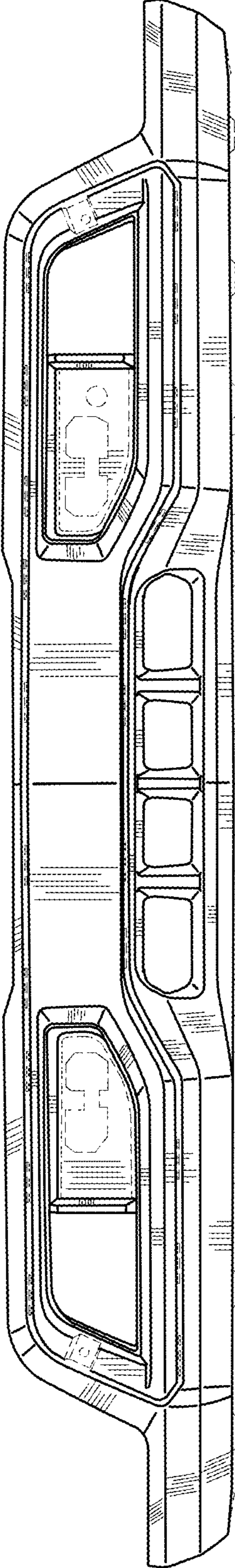


FIG. 3

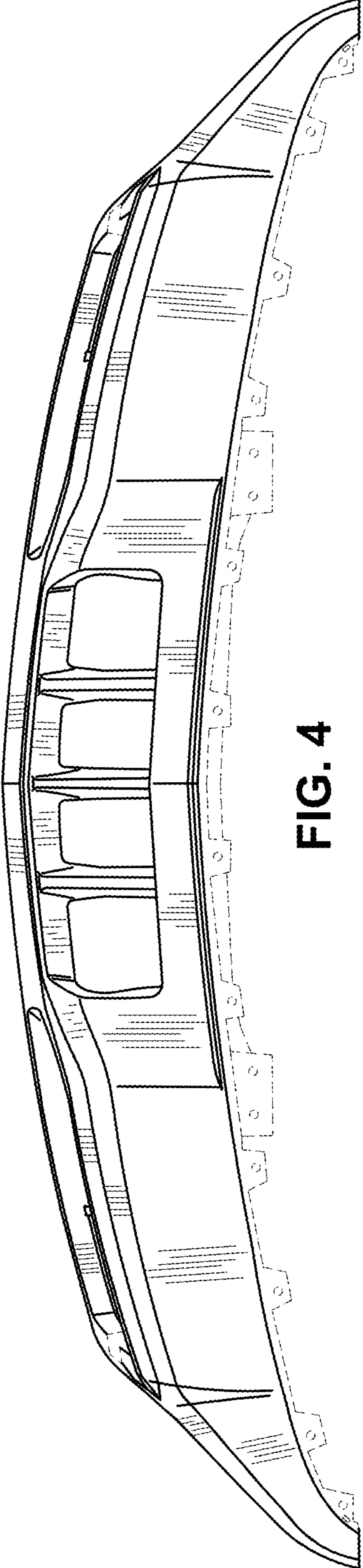


FIG. 4