



US00D873731S

(12) **United States Design Patent** (10) **Patent No.:** **US D873,731 S**
Goodrich et al. (45) **Date of Patent:** **** Jan. 28, 2020**

(54) **FRONT BUMPER**
(71) Applicants: **Stephen Goodrich**, Clawson, MI (US);
Brian H. Nielander, Royal Oak, MI
(US); **Mark T. Allen**, Oxford, MI (US)
(72) Inventors: **Stephen Goodrich**, Clawson, MI (US);
Brian H. Nielander, Royal Oak, MI
(US); **Mark T. Allen**, Oxford, MI (US)
(73) Assignee: **FCA US LLC**, Auburn Hills, MI (US)
(**) Term: **15 Years**
(21) Appl. No.: **29/661,908**
(22) Filed: **Aug. 31, 2018**

Related U.S. Application Data

(63) Continuation-in-part of application No. 29/616,446,
filed on Sep. 6, 2017, now Pat. No. Des. 840,270, and
a continuation-in-part of application No. 29/616,449,
filed on Sep. 6, 2017, now Pat. No. Des. 840,271.
(51) **LOC (12) Cl.** **12-16**
(52) **U.S. Cl.**
USPC **D12/169**
(58) **Field of Classification Search**
USPC D12/169, 196, 86, 90-92; 293/102, 113,
293/115, 117, 120; 296/180.1, 180.2
CPC B60R 19/02; B60R 19/04; B62D 25/08
See application file for complete search history.

References Cited

U.S. PATENT DOCUMENTS

D713,305 S * 9/2014 Sperling D12/169
D721,304 S * 1/2015 Platto D12/169
D738,271 S * 9/2015 Glover D12/169

D739,798 S * 9/2015 O'Donnell D12/169
D744,384 S * 12/2015 Harriton D12/169
D744,387 S * 12/2015 Harriton D12/169
D744,388 S * 12/2015 Harriton D12/169
D751,012 S * 3/2016 Hare D12/169
D775,013 S * 12/2016 Bennett D12/169
D798,201 S * 9/2017 Zavatski D12/169
D803,734 S * 11/2017 Bennett D12/169
D807,251 S * 1/2018 Piscitelli D12/169
D807,253 S * 1/2018 Piscitelli D12/169
D807,255 S * 1/2018 Piscitelli D12/169
D845,844 S * 4/2019 Langhals D12/169
D845,845 S * 4/2019 Goodrich D12/169
D845,846 S * 4/2019 Goodrich D12/169
D845,847 S * 4/2019 Piscitelli D12/169
D846,460 S * 4/2019 Goodrich D12/169
D846,461 S * 4/2019 Piscitelli D12/169

* cited by examiner

Primary Examiner — Melody N Brown

(74) *Attorney, Agent, or Firm* — Ralph E. Smith

(57) **CLAIM**

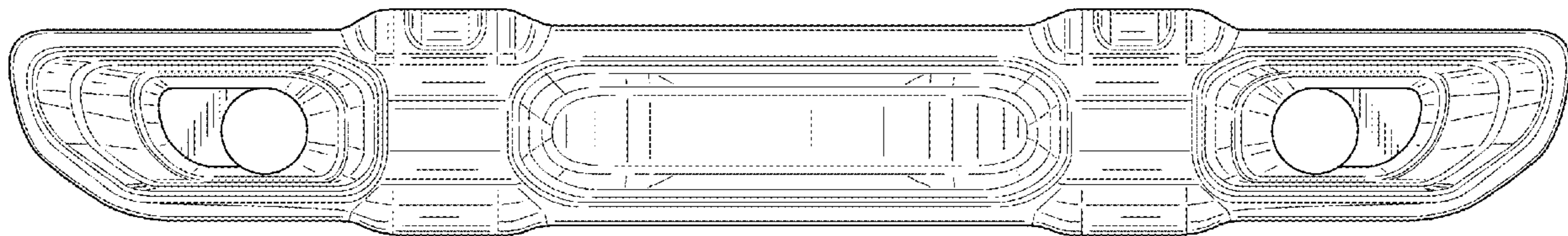
The ornamental design for a front bumper, as shown and described.

DESCRIPTION

FIG. 1 is a front perspective view of a front bumper showing our new design;
FIG. 2 is a front view thereof;
FIG. 3 is a rear view thereof;
FIG. 4 is a top view thereof;
FIG. 5 is a bottom view thereof; and,
FIG. 6 is a side view thereof.

It will be understood that the broken lines shown in the drawings illustrate portions of the front bumper that form no part of claimed design.

1 Claim, 4 Drawing Sheets



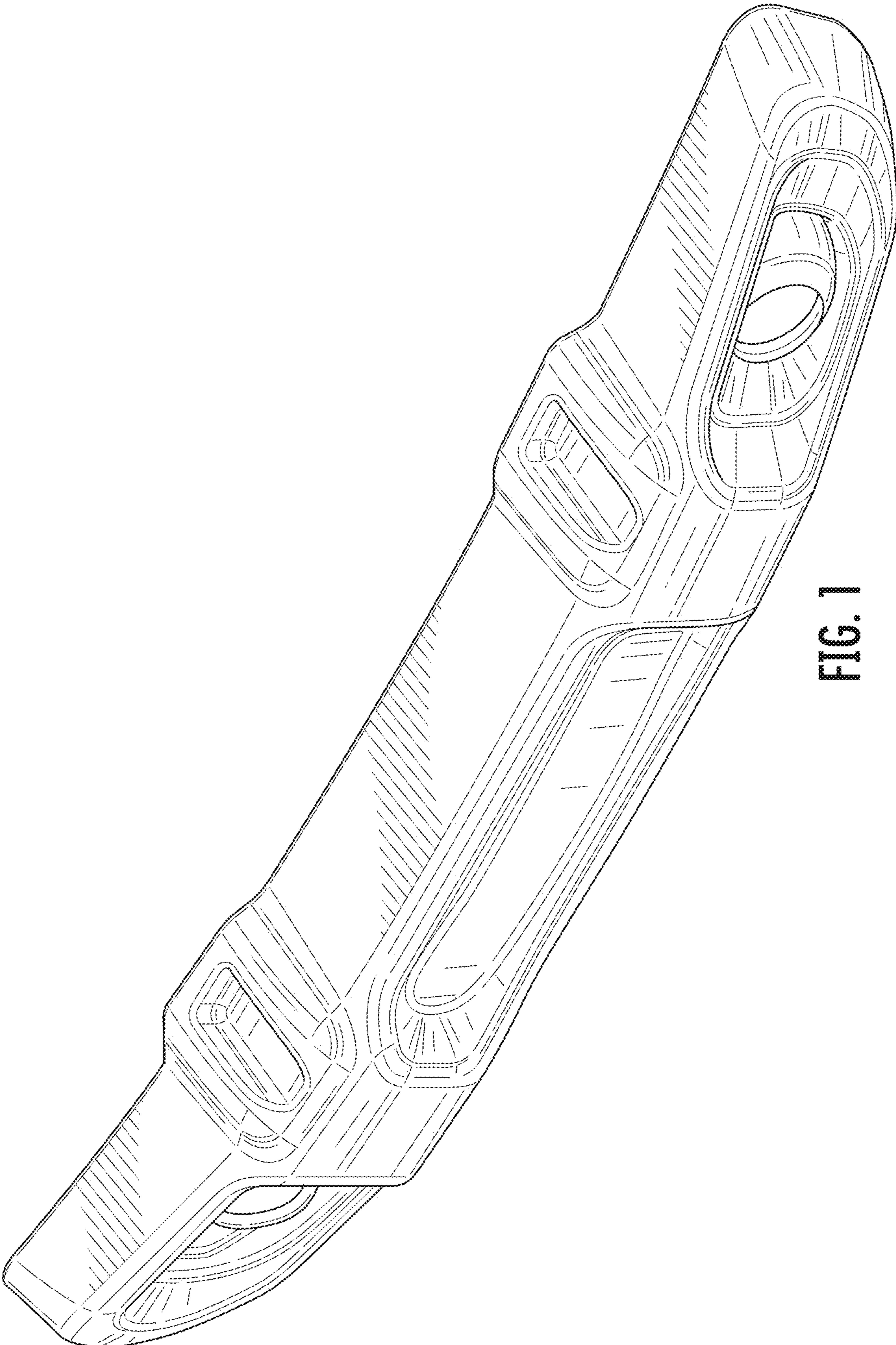


FIG. 1

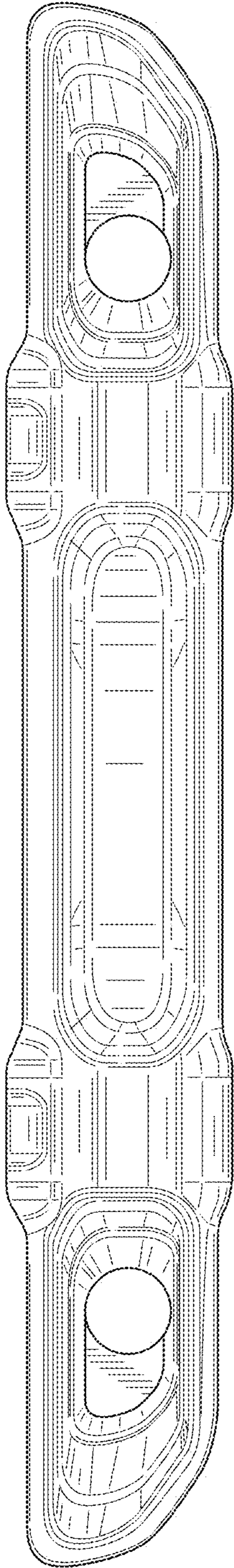


FIG. 2

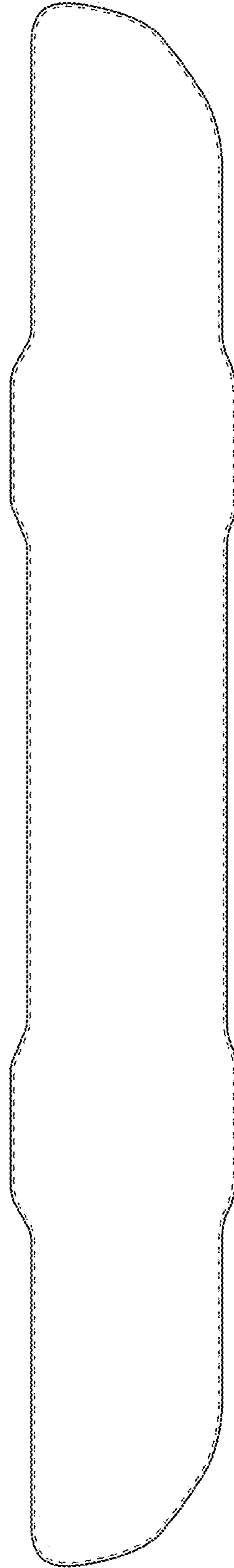


FIG. 3

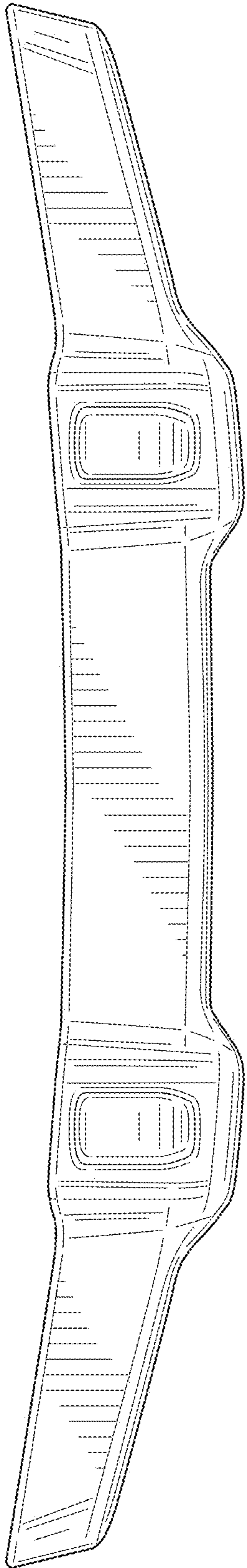


FIG. 4

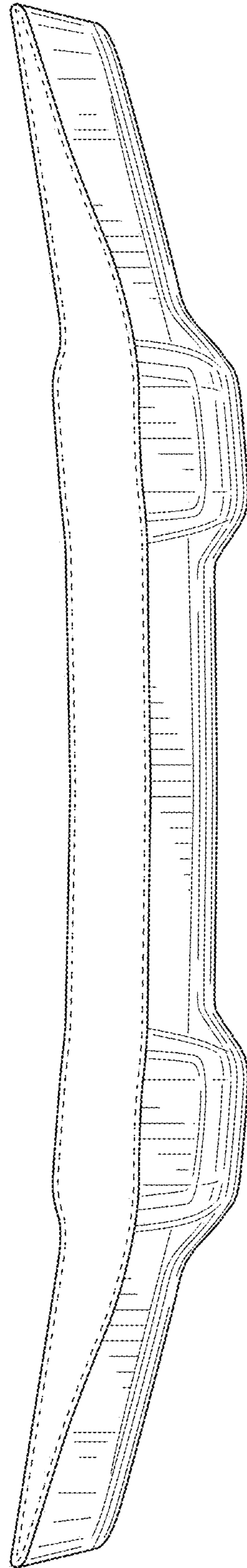


FIG. 5

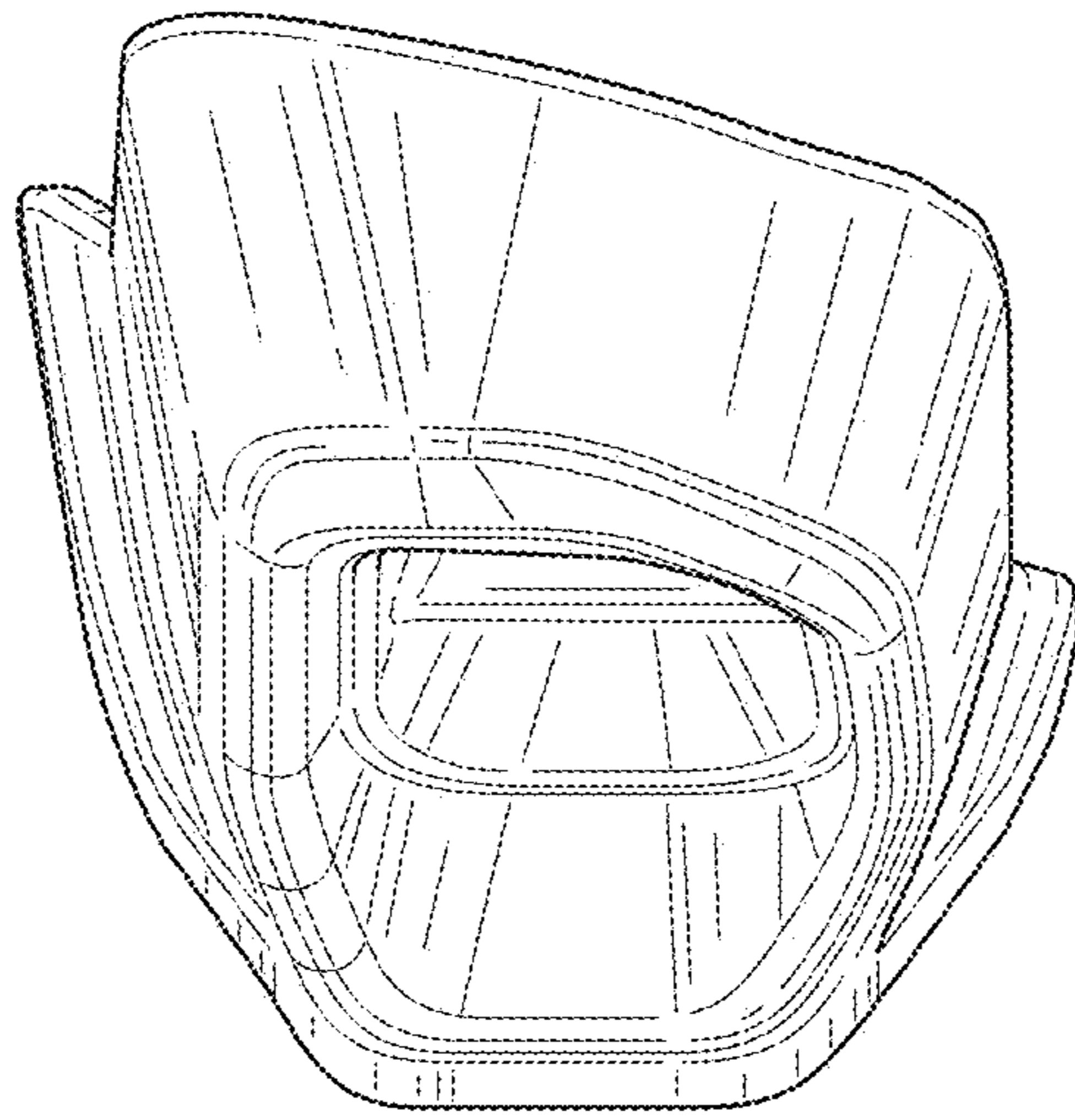


FIG. 6