



US00D873730S

(12) **United States Design Patent**  
**Goodrich et al.**

(10) **Patent No.:** **US D873,730 S**  
(45) **Date of Patent:** **\*\* Jan. 28, 2020**

- (54) **FRONT BUMPER**
- (71) Applicants: **Stephen Goodrich**, Clawson, MI (US);  
**Brian H. Nielander**, Royal Oak, MI  
(US); **Mark T. Allen**, Oxford, MI (US)
- (72) Inventors: **Stephen Goodrich**, Clawson, MI (US);  
**Brian H. Nielander**, Royal Oak, MI  
(US); **Mark T. Allen**, Oxford, MI (US)
- (73) Assignee: **FCA US LLC**, Auburn Hills, MI (US)
- (\*\*) Term: **15 Years**
- (21) Appl. No.: **29/661,906**
- (22) Filed: **Aug. 31, 2018**

**Related U.S. Application Data**

- (63) Continuation-in-part of application No. 29/616,449,  
filed on Sep. 6, 2017, now Pat. No. Des. 840,271.
- (51) **LOC (12) Cl.** ..... **12-16**
- (52) **U.S. Cl.**  
USPC ..... **D12/169**
- (58) **Field of Classification Search**  
USPC ..... D12/169, 196, 86, 90-92; 293/102, 113,  
293/115, 117, 120; 296/180.1, 180.2  
CPC ..... B60R 19/02; B60R 19/04; B62D 25/08  
See application file for complete search history.

**References Cited**

**U.S. PATENT DOCUMENTS**

- D713,305 S \* 9/2014 Sperling ..... D12/169
- D721,304 S \* 1/2015 Platto ..... D12/169
- D738,271 S \* 9/2015 Glover ..... D12/169
- D739,798 S \* 9/2015 O'Donnell ..... D12/169

- D744,384 S \* 12/2015 Harriton ..... D12/169
- D744,387 S \* 12/2015 Harriton ..... D12/169
- D744,388 S \* 12/2015 Harriton ..... D12/169
- D751,012 S \* 3/2016 Hare ..... D12/169
- D775,013 S \* 12/2016 Bennett ..... D12/169
- D798,201 S \* 9/2017 Zavatski ..... D12/169
- D803,734 S \* 11/2017 Bennett ..... D12/169
- D807,251 S \* 1/2018 Piscitelli ..... D12/169
- D807,253 S \* 1/2018 Piscitelli ..... D12/169
- D807,255 S \* 1/2018 Piscitelli ..... D12/169
- D845,844 S \* 4/2019 Langhals ..... D12/169
- D845,845 S \* 4/2019 Goodrich ..... D12/169
- D845,846 S \* 4/2019 Goodrich ..... D12/169
- D845,847 S \* 4/2019 Piscitelli ..... D12/169
- D846,460 S \* 4/2019 Goodrich ..... D12/169
- D846,461 S \* 4/2019 Piscitelli ..... D12/169

\* cited by examiner

*Primary Examiner* — Melody N Brown

(74) *Attorney, Agent, or Firm* — Ralph E. Smith

(57) **CLAIM**

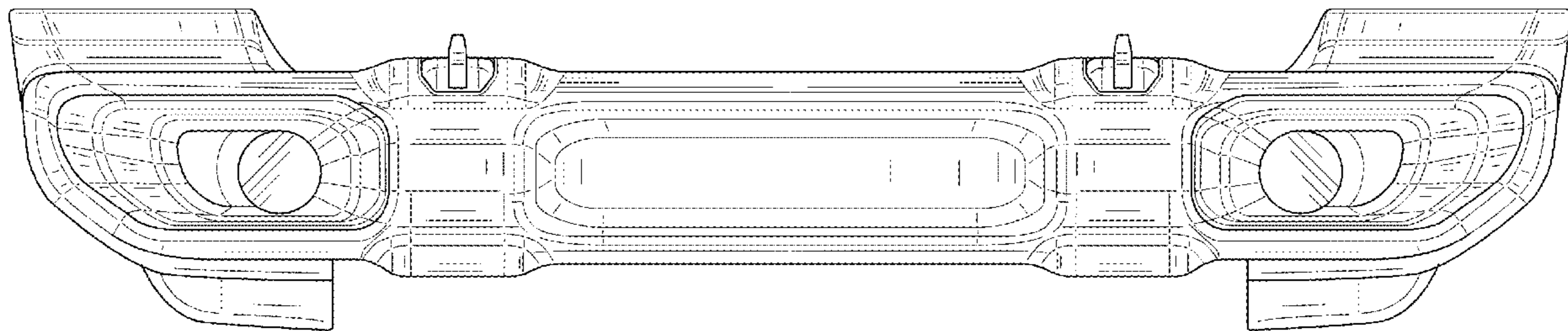
The ornamental design for a front bumper, as shown and described.

**DESCRIPTION**

FIG. 1 is a front perspective view of a front bumper showing our new design;  
 FIG. 2 is a from view thereof;  
 FIG. 3 is a rear view thereof;  
 FIG. 4 is a right side view thereof;  
 FIG. 5 is a left side view thereof;  
 FIG. 6 is a top view thereof; and,  
 FIG. 7 is a bottom view thereof.

It will be understood that the broken lines shown in the drawings illustrate portions of the front bumper that form no part of claimed design.

**1 Claim, 5 Drawing Sheets**



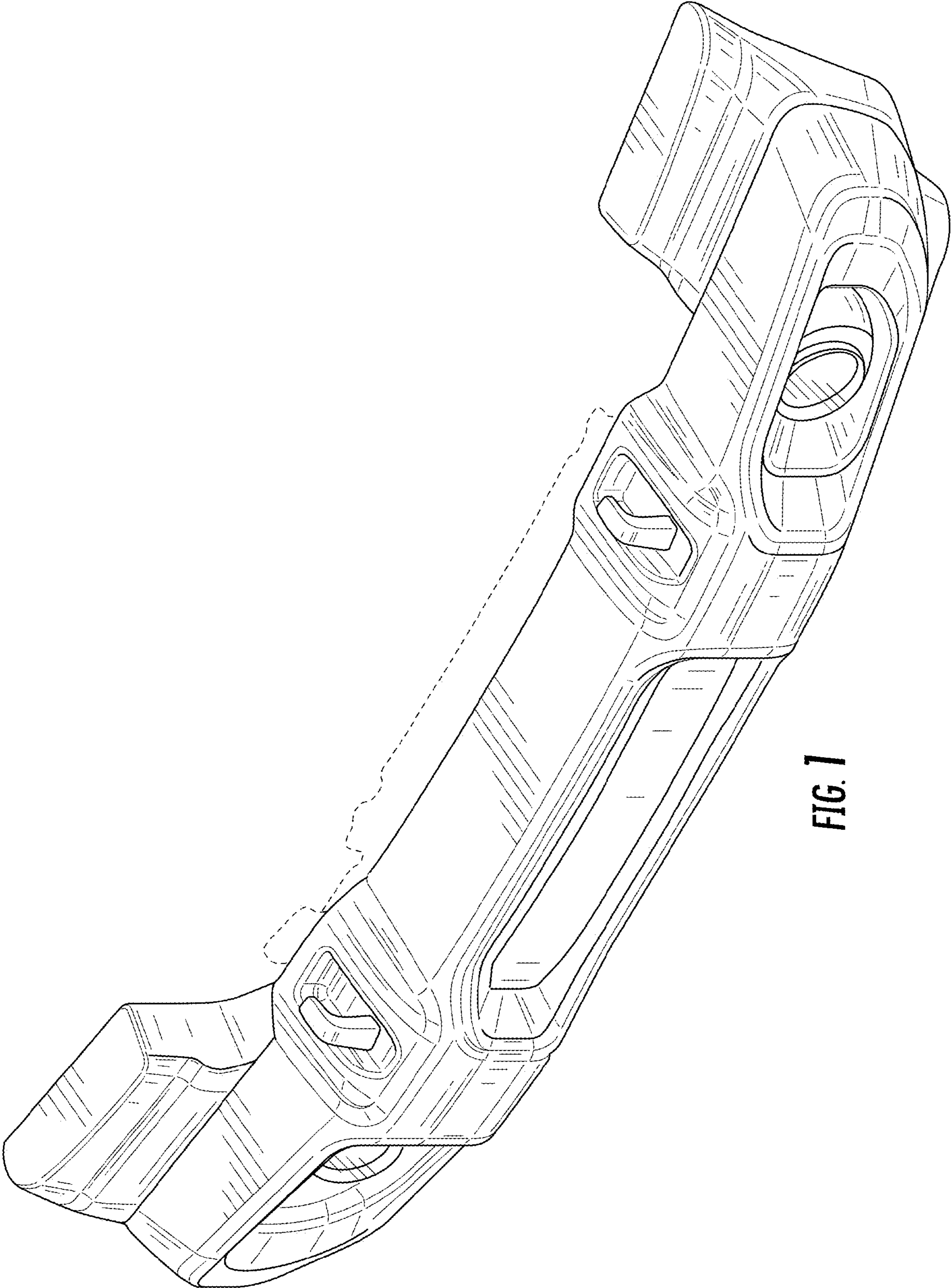


FIG. 1

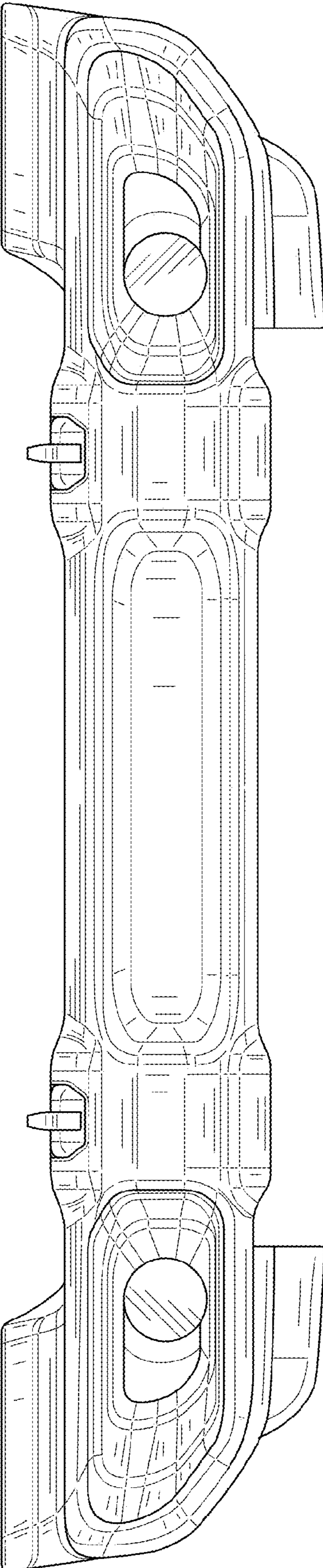


FIG. 2

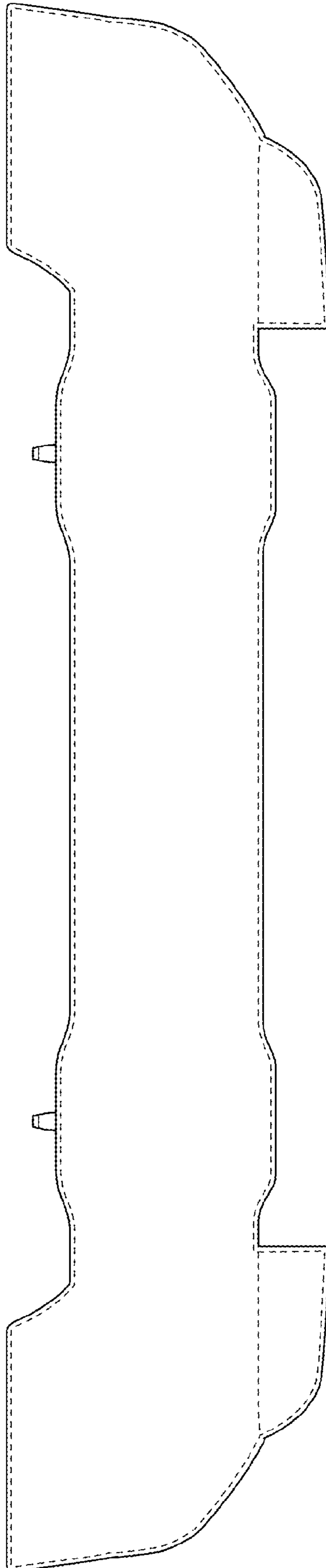
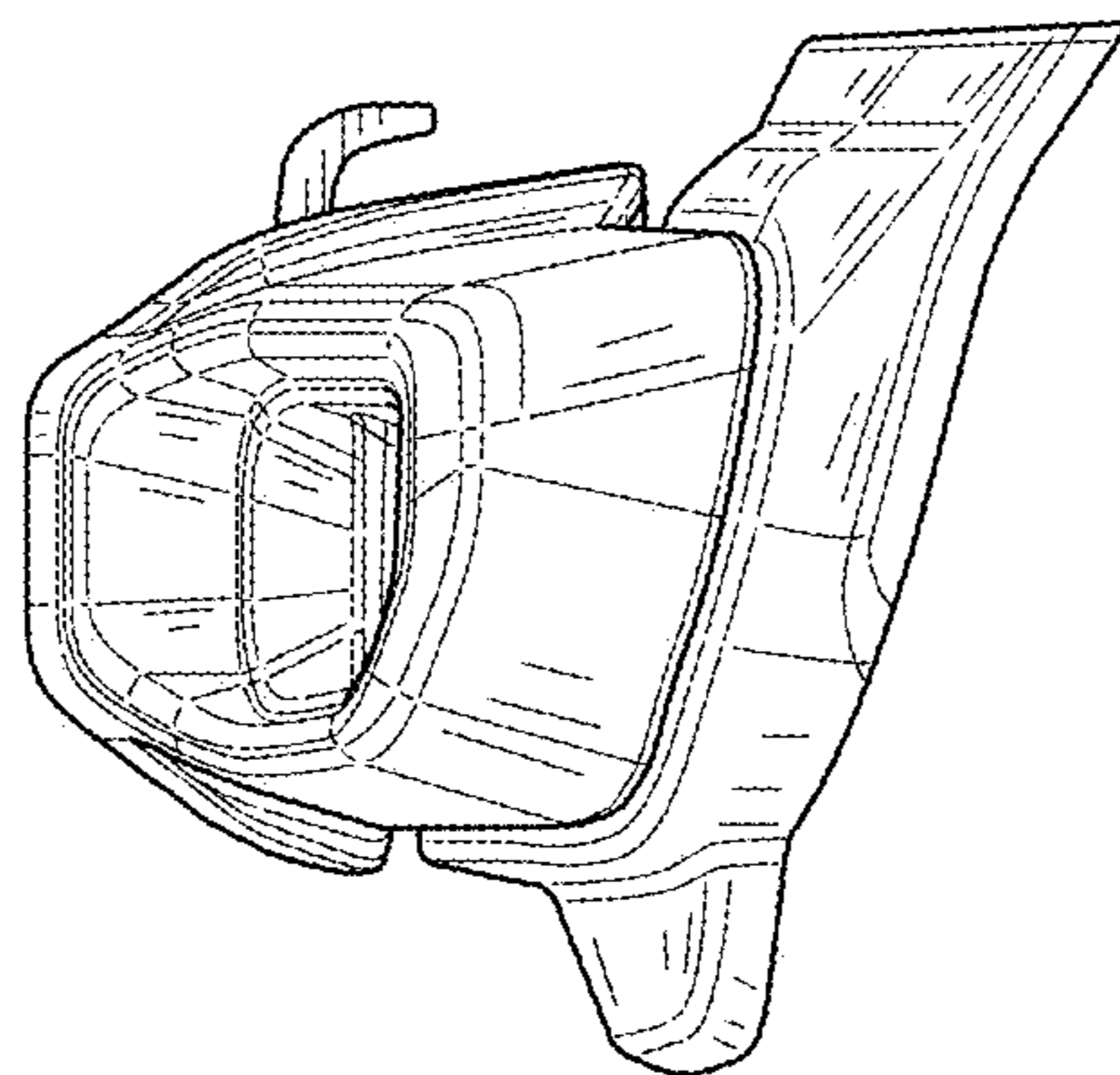
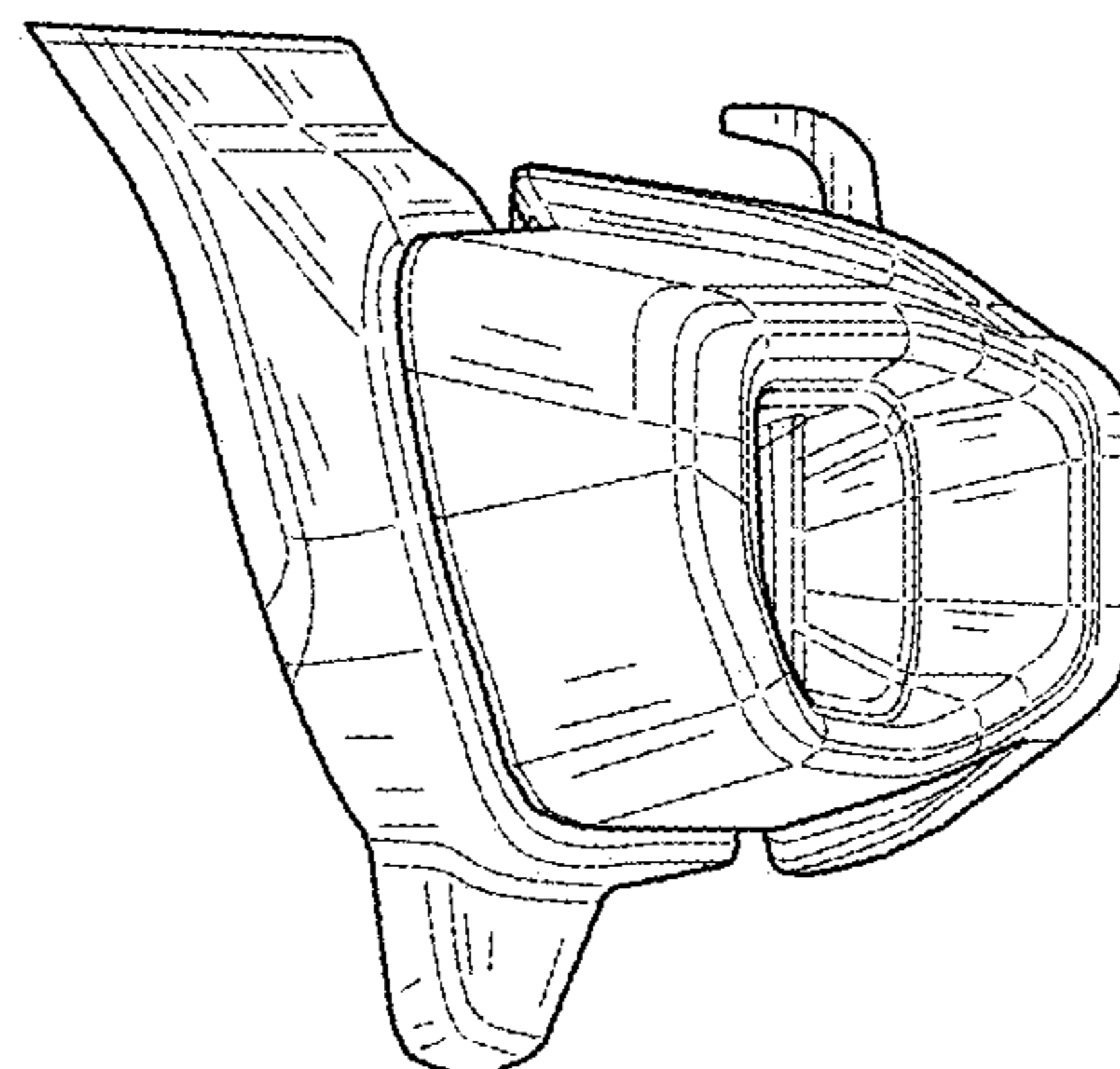


FIG. 3



**FIG. 4**



**FIG. 5**

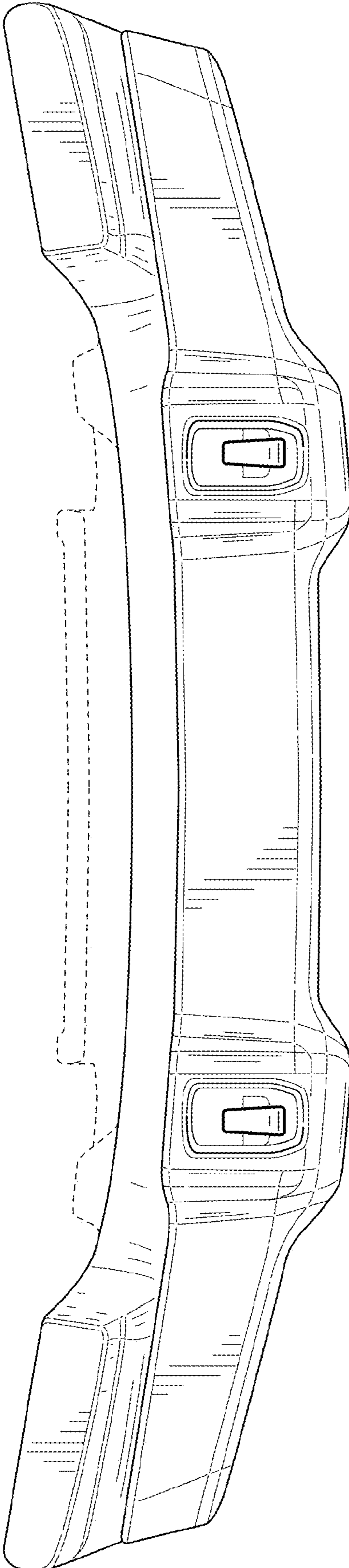


FIG. 6

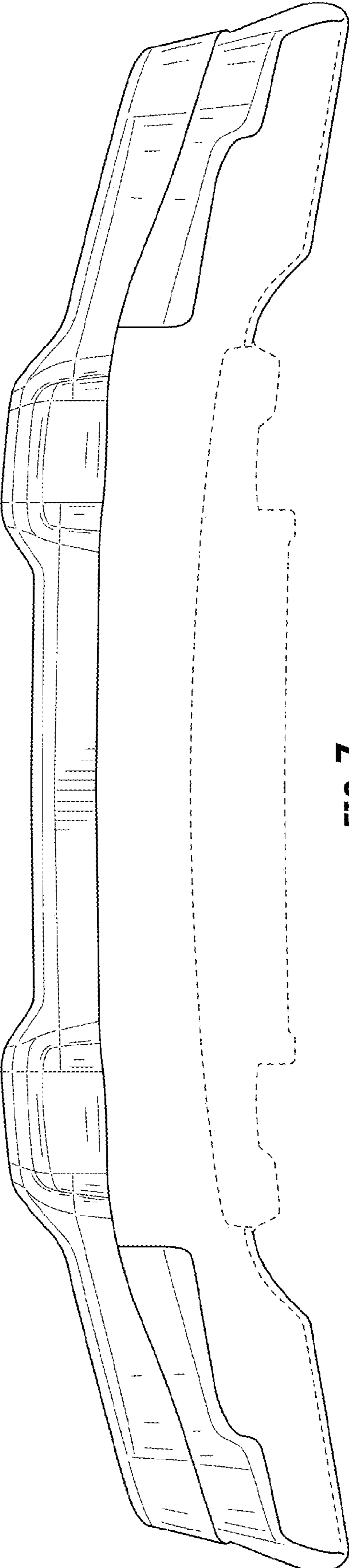


FIG. 7