



US00D873729S

(12) **United States Design Patent** (10) **Patent No.:** **US D873,729 S**
Rolfs et al. (45) **Date of Patent:** **** Jan. 28, 2020**

(54) **FRONT BUMPER**

(71) Applicants: **Jeremy Rolfs**, Sylvan Lake, MI (US);
Nicholas Vardis, Sylvan Lake, MI (US)

(72) Inventors: **Jeremy Rolfs**, Sylvan Lake, MI (US);
Nicholas Vardis, Sylvan Lake, MI (US)

(**) Term: **15 Years**

(21) Appl. No.: **29/661,469**

(22) Filed: **Aug. 28, 2018**

(51) **LOC (12) Cl.** **12-16**

(52) **U.S. Cl.**
USPC **D12/169**

(58) **Field of Classification Search**
USPC D12/169, 196, 86, 90-92; 293/102, 113,
293/115, 117, 120; 296/180.1, 180.2
CPC B60R 19/02; B60R 19/04; B62D 25/08
See application file for complete search history.

(56) **References Cited**

U.S. PATENT DOCUMENTS

D713,305 S	*	9/2014	Sperling	D12/169
D721,304 S	*	1/2015	Platto	D12/169
D738,271 S	*	9/2015	Glover	D12/169
D739,798 S	*	9/2015	O'Donnell	D12/169
D744,384 S	*	12/2015	Harriton	D12/169
D744,387 S	*	12/2015	Harriton	D12/169
D744,388 S	*	12/2015	Harriton	D12/169
D751,012 S	*	3/2016	Hare	D12/169
D775,013 S	*	12/2016	Bennett	D12/169

D798,201 S	*	9/2017	Zavatski	D12/169
D803,734 S	*	11/2017	Bennett	D12/169
D807,251 S	*	1/2018	Piscitelli	D12/169
D807,253 S	*	1/2018	Piscitelli	D12/169
D807,255 S	*	1/2018	Piscitelli	D12/169
D845,844 S	*	4/2019	Langhals	D12/169
D845,845 S	*	4/2019	Goodrich	D12/169
D845,846 S	*	4/2019	Goodrich	D12/169
D845,847 S	*	4/2019	Piscitelli	D12/169
D846,460 S	*	4/2019	Goodrich	D12/169
D846,461 S	*	4/2019	Piscitelli	D12/169

* cited by examiner

Primary Examiner — Melody N Brown

(74) *Attorney, Agent, or Firm* — Ralph E. Smith

(57) **CLAIM**

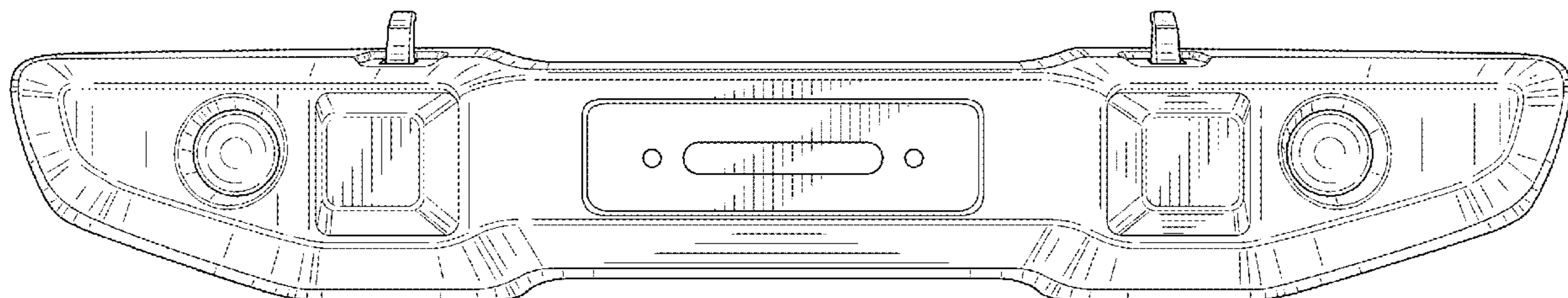
The ornamental design for a front bumper, as shown and described.

DESCRIPTION

FIG. 1 is a front perspective view of a front bumper showing our new design;
FIG. 2 is a rear perspective view thereof;
FIG. 3 is a front view thereof;
FIG. 4 is a rear view thereof;
FIG. 5 is a top view thereof;
FIG. 6 is a bottom view thereof;
FIG. 7 is a right side view thereof; and,
FIG. 8 is a left side view thereof.

It will be understood that the broken lines shown in the drawings illustrate portions of the front bumper that form no part of claimed design.

1 Claim, 7 Drawing Sheets



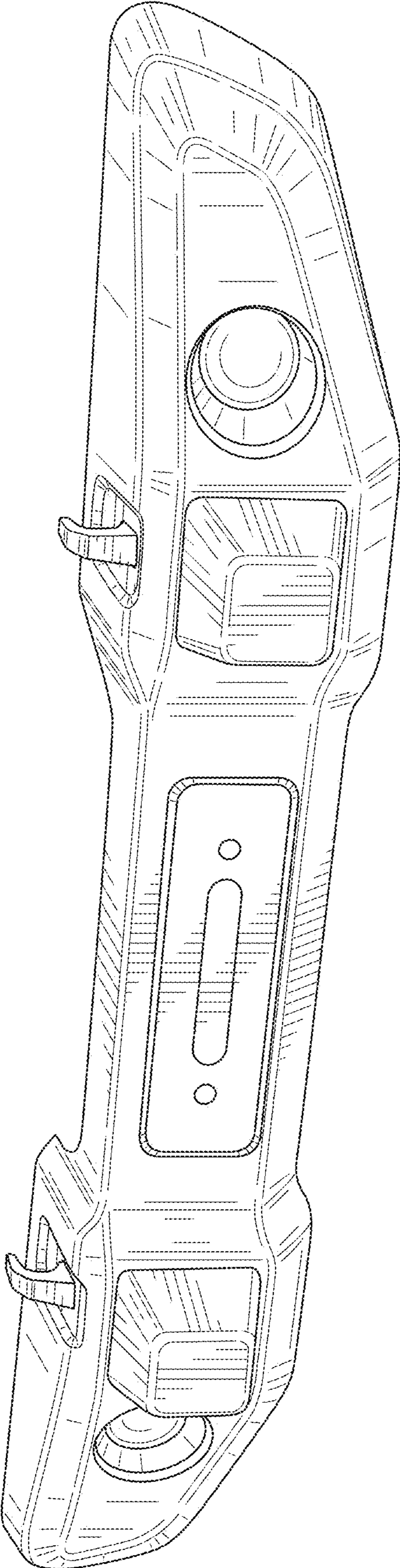


FIG. 1

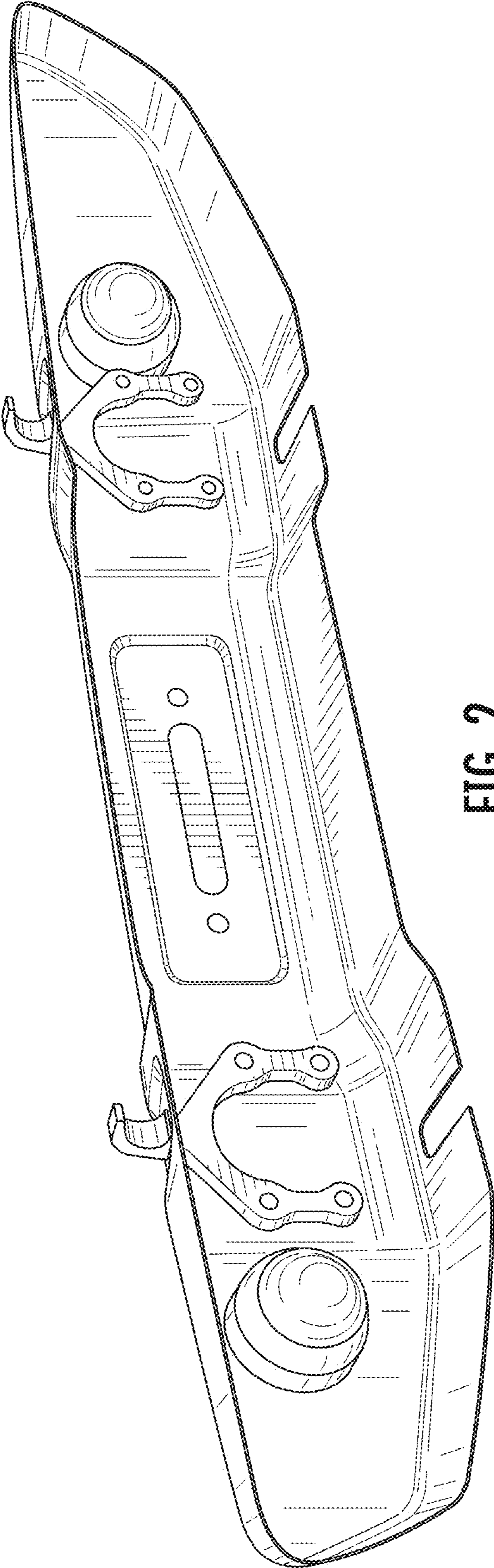


FIG. 2

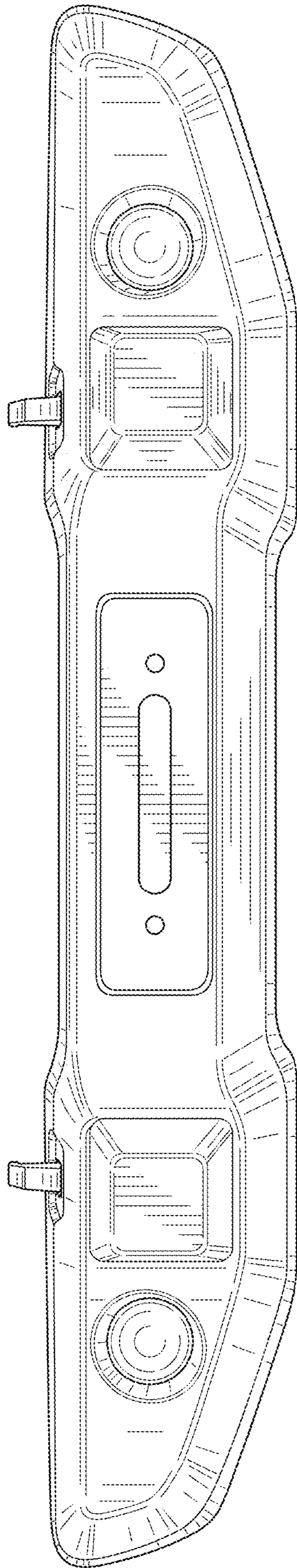


FIG. 3

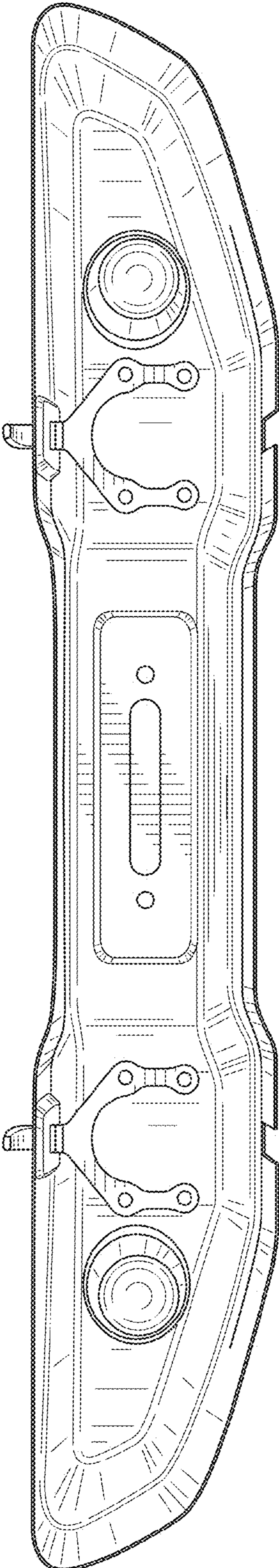


FIG. 4

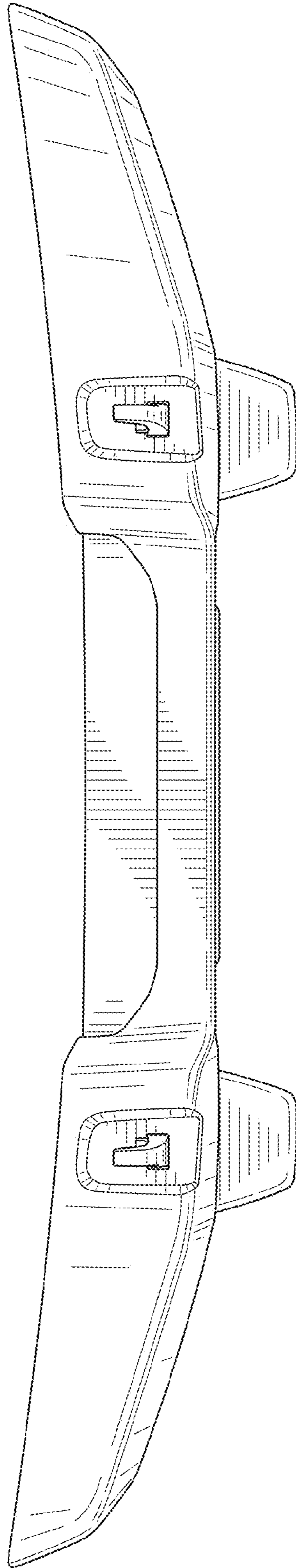


FIG. 5

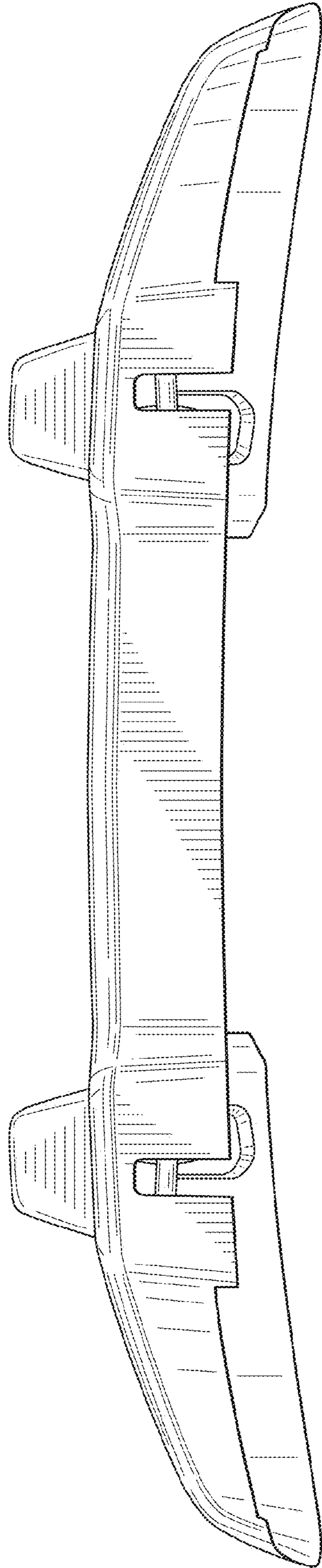


FIG. 6

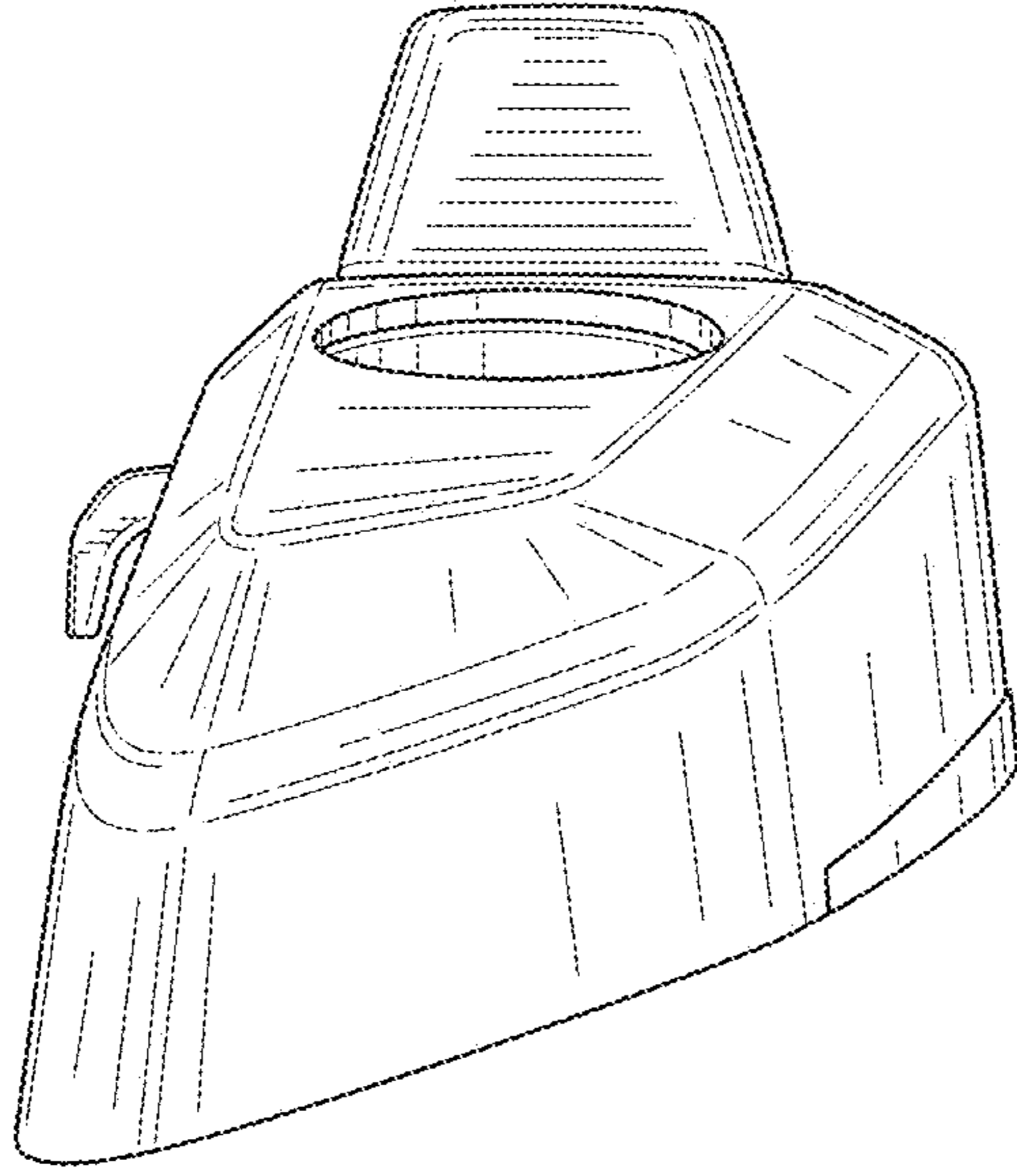


FIG. 8

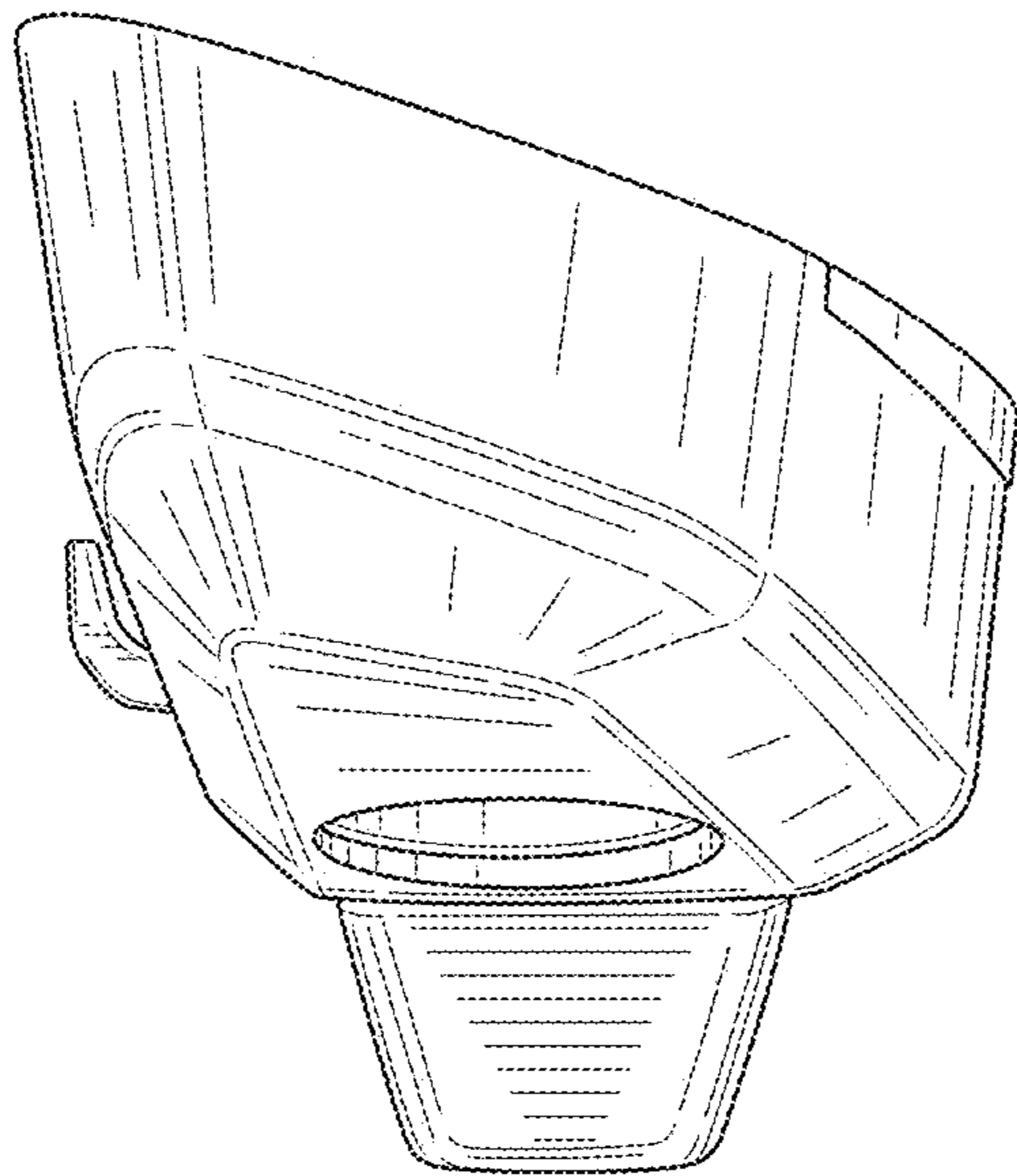


FIG. 7