



US00D873728S

(12) **United States Design Patent**  
**Madugundi et al.**

(10) **Patent No.:** **US D873,728 S**

(45) **Date of Patent:** **\*\* Jan. 28, 2020**

(54) **FRONT SPOILER FOR A VEHICLE**

(71) Applicant: **Daimler AG**, Stuttgart (DE)

(72) Inventors: **Dinesh Madugundi**, Beaverton, OR (US); **Donald Vena**, Vancouver, WA (US)

(73) Assignee: **Daimler AG**, Stuttgart (DE)

(\*\*) Term: **15 Years**

(21) Appl. No.: **29/656,675**

(22) Filed: **Jul. 16, 2018**

(51) **LOC (12) Cl.** ..... **12-16**

(52) **U.S. Cl.**  
USPC ..... **D12/169**

(58) **Field of Classification Search**  
USPC ... D12/414-426, 191-192, 181, 169, 96, 99,  
D12/170, 106, 345, 400  
CPC .. B62D 35/001; B62D 35/005; B62D 35/007;  
B62D 35/008; B62D 35/02; B60K 11/085  
See application file for complete search history.

(56) **References Cited**

U.S. PATENT DOCUMENTS

D282,157 S *	1/1986	Kerschbaum	.....	D12/181
D282,536 S *	2/1986	Pfeiffer	.....	D12/181
D291,680 S *	9/1987	Everts	.....	D12/170
D483,311 S *	12/2003	Kasahara	.....	D12/169
D541,710 S *	5/2007	Schiavone	.....	D12/169
D556,655 S *	12/2007	Dixon	.....	D12/181
D559,160 S *	1/2008	Viandante	.....	D12/181
D563,840 S *	3/2008	Simons	.....	D12/169
D672,292 S *	12/2012	Liogas	.....	D12/169
D710,268 S *	8/2014	Brzustowicz	.....	D12/169

D725,008 S *	3/2015	Peltola	.....	D12/169
D735,614 S *	8/2015	Alemanly	.....	D12/96
D744,390 S *	12/2015	Vena	.....	D12/169
D755,093 S *	5/2016	Vena	.....	D12/169
D793,302 S *	8/2017	Kozub	.....	D12/169
D799,380 S *	10/2017	Cosme	.....	D12/96
D801,243 S *	10/2017	Cosme	.....	D12/181
D828,226 S *	9/2018	Cotner	.....	D12/96
2014/0015277 A1 *	1/2014	Beedle	.....	B62D 35/001 296/180.2
2017/0326969 A1 *	11/2017	Ayala	.....	B60K 11/085

\* cited by examiner

*Primary Examiner* — Susan E Krakower

*Assistant Examiner* — Jerry Shiuan-Hua Hsu

(74) *Attorney, Agent, or Firm* — Crowell & Moring LLP

(57) **CLAIM**

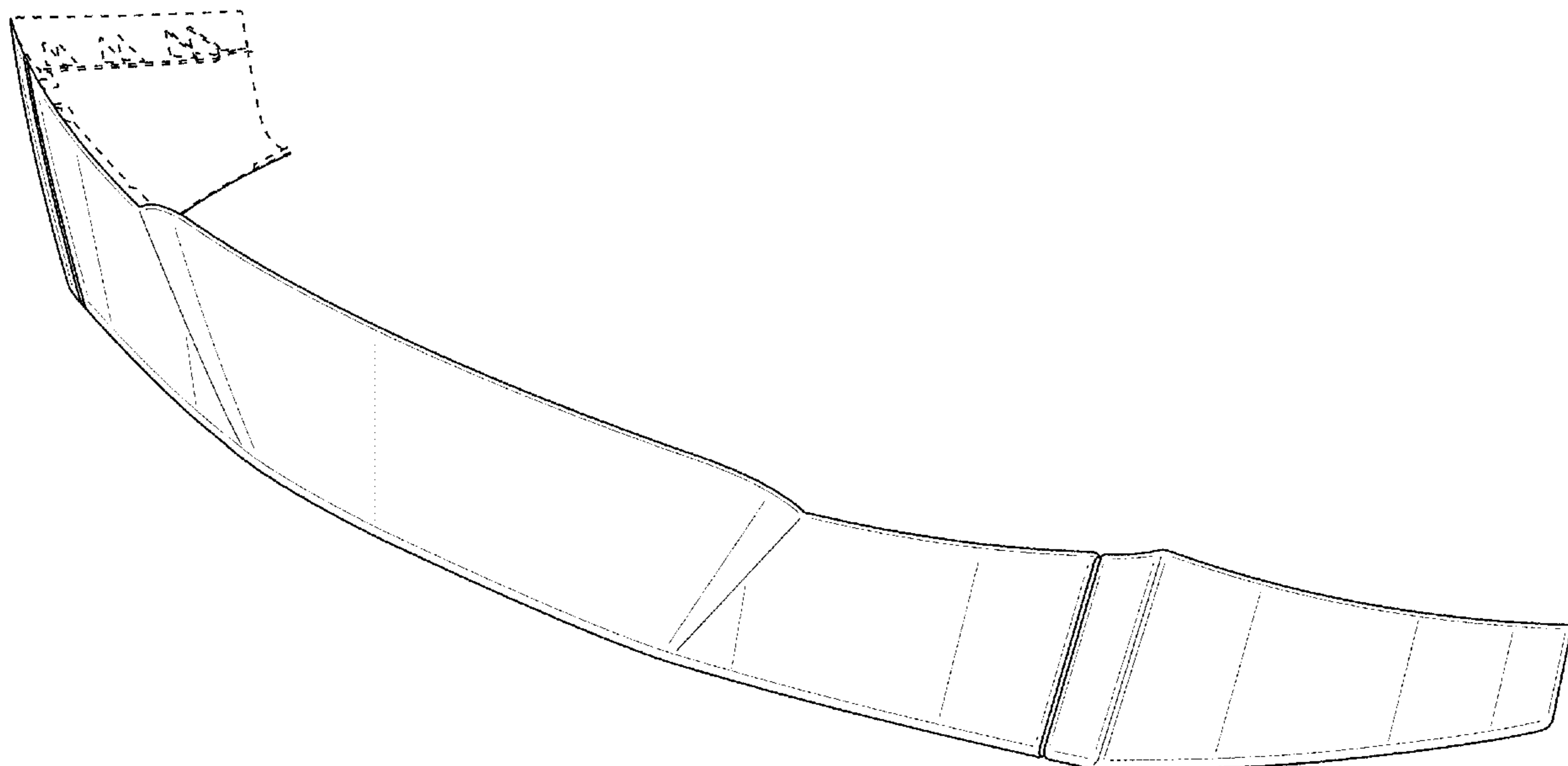
The ornamental design for a front spoiler for a vehicle, as shown and described.

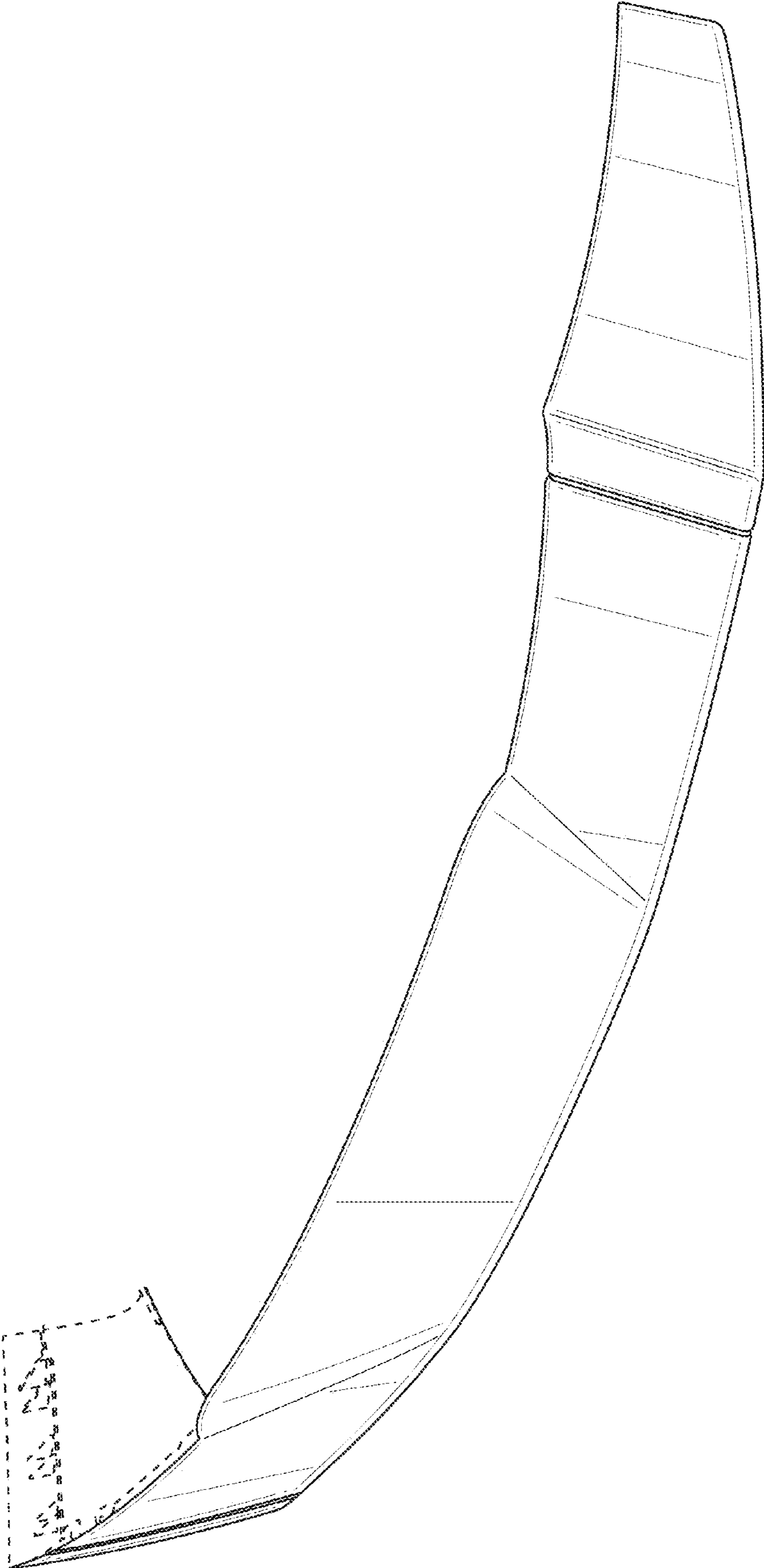
**DESCRIPTION**

FIG. 1 is a right, front perspective view of a front spoiler for a vehicle according to the design, the left, front perspective view being a mirror image thereof;  
FIG. 2 is a front view thereof;  
FIG. 3 is a left side view thereof;  
FIG. 4 is a right side view thereof;  
FIG. 5 is a bottom view thereof; and,  
FIG. 6 is a right front perspective view thereof, showing a possible environment.

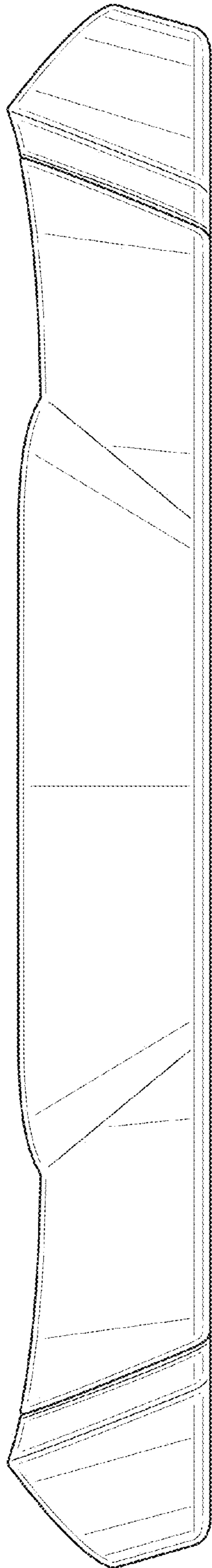
The broken lines in FIG. 1 illustrate portions of the front spoiler for a vehicle that form no part of the claimed design. The broken lines in FIG. 6 illustrate environmental structure that forms no part of the claimed design.

**1 Claim, 6 Drawing Sheets**

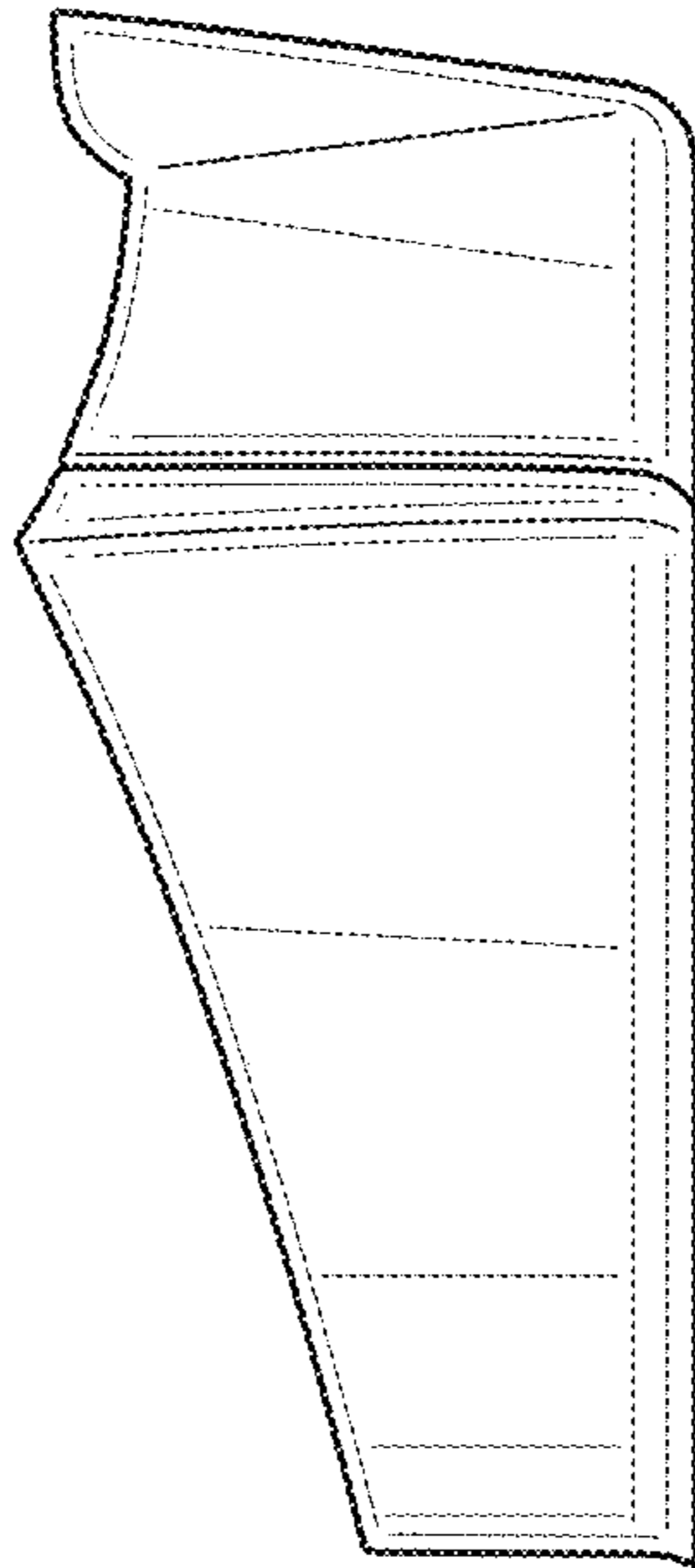




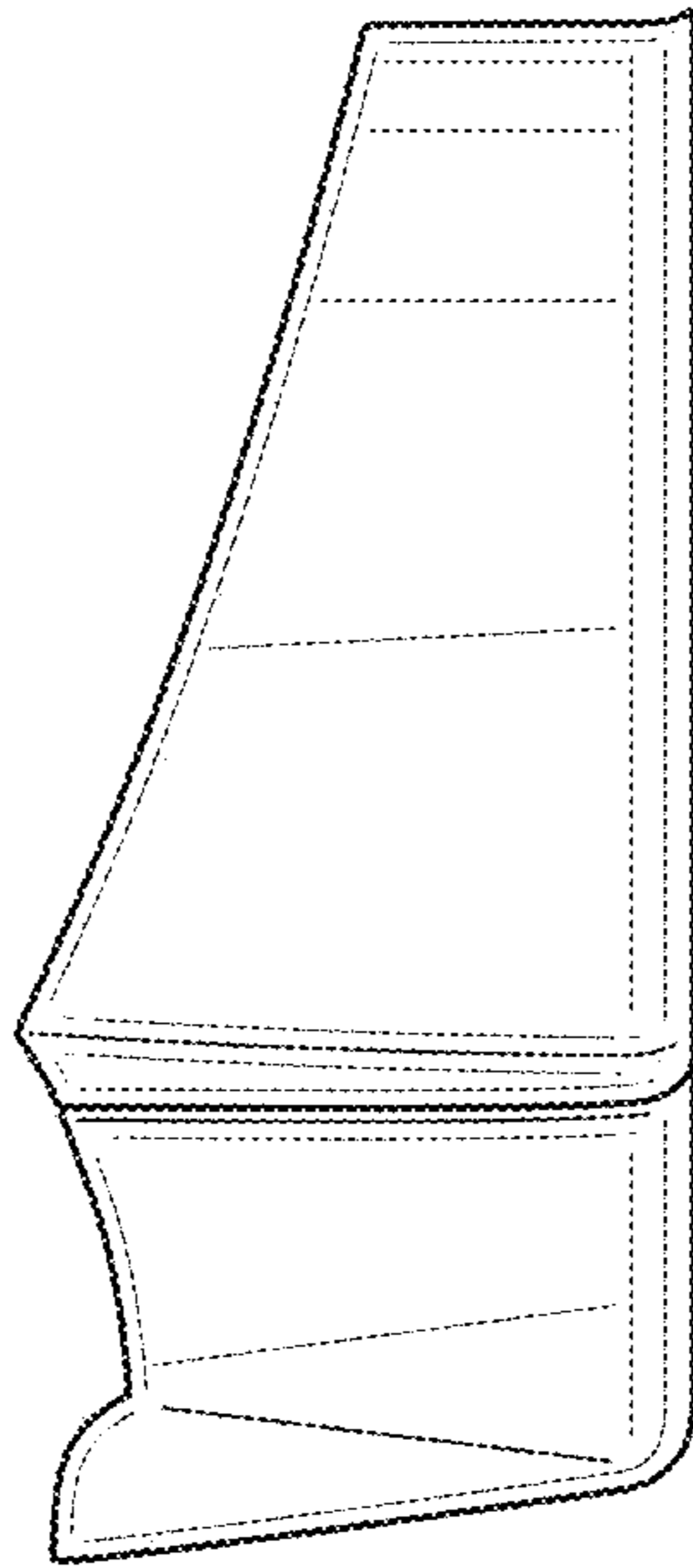
**FIG. 1**



**FIG. 2**



**FIG. 3**



**FIG. 4**

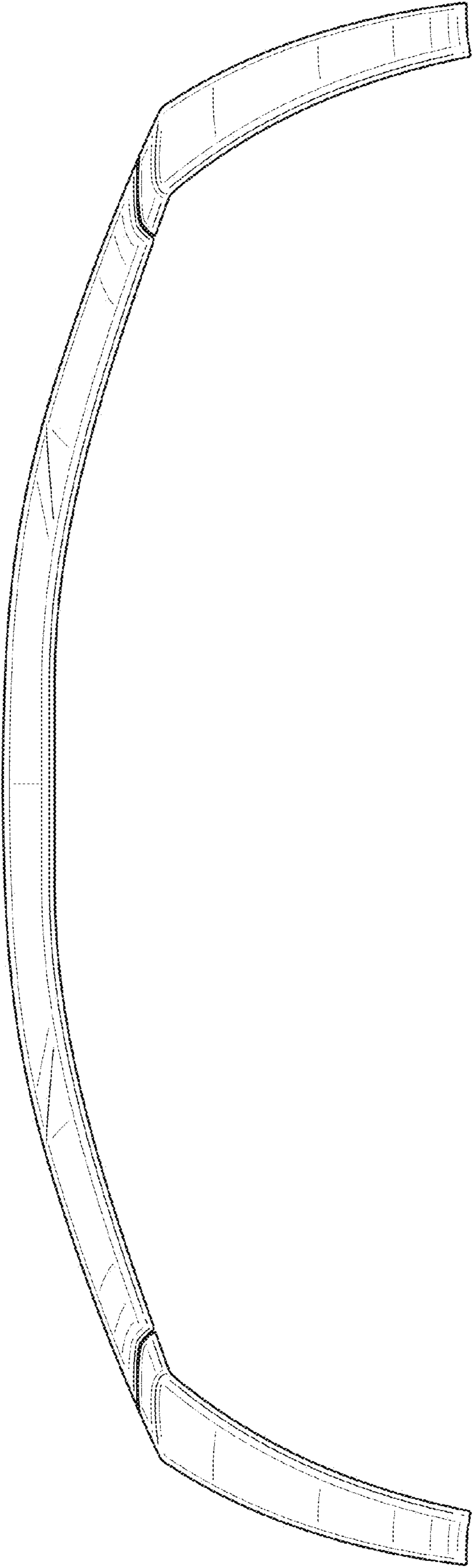


FIG. 5

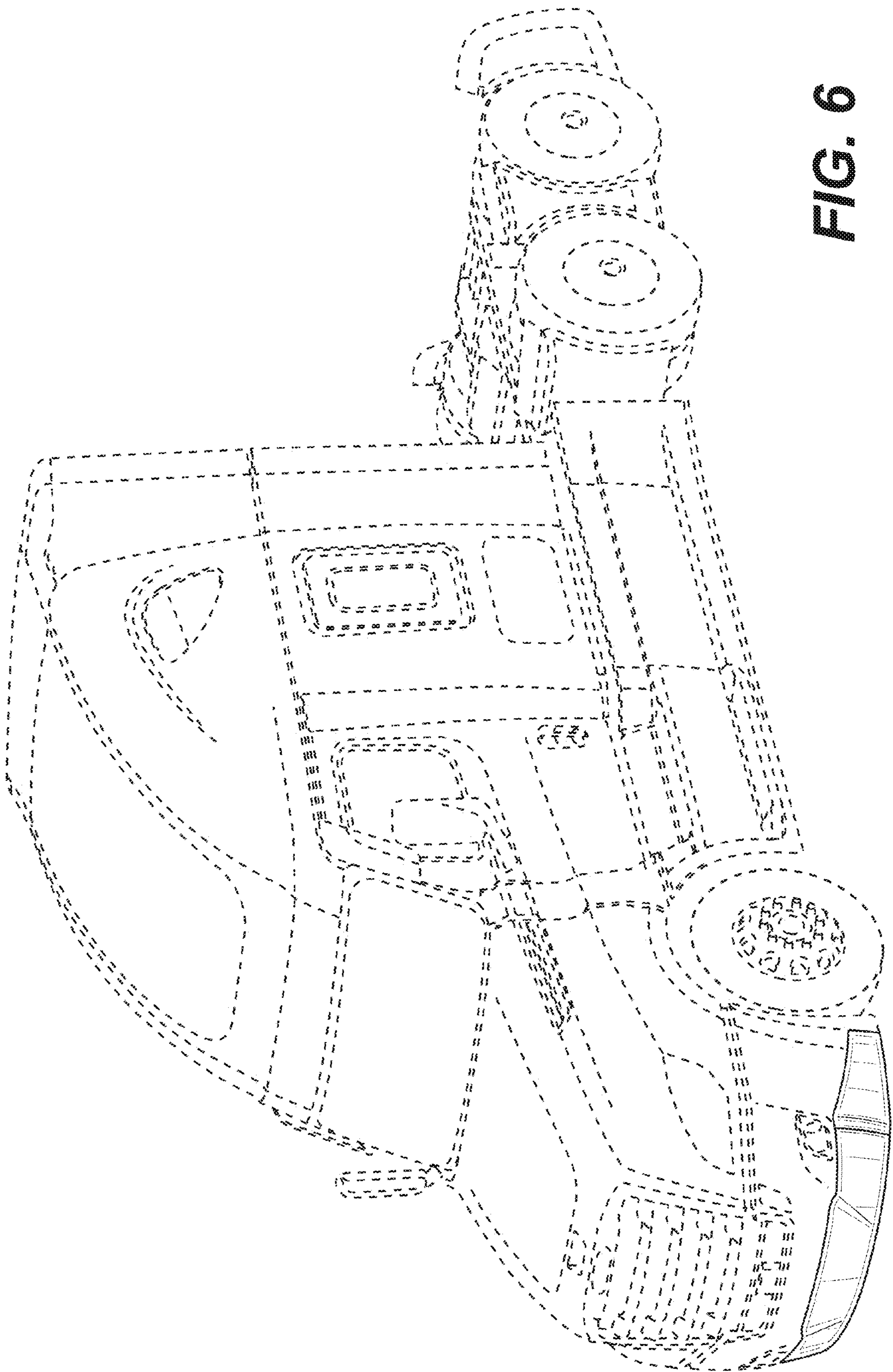


FIG. 6