



US00D873727S

(12) **United States Design Patent** (10) **Patent No.:** **US D873,727 S**
Schneider (45) **Date of Patent:** **** Jan. 28, 2020**

(54) **FRONT BUMPER FOR A VEHICLE**
(71) Applicant: **Bayerische Motoren Werke Aktiengesellschaft, Munich (DE)**
(72) Inventor: **Alexander Schneider, Munich (DE)**
(73) Assignee: **Bayerische Motoren Werke Aktiengesellschaft, Munich (DE)**

D803,738 S * 11/2017 Granlund D12/169
D807,249 S * 1/2018 Piscitelli D12/169
D807,250 S * 1/2018 Piscitelli D12/169
D807,254 S * 1/2018 Piscitelli D12/169
D807,257 S * 1/2018 Piscitelli D12/169
D807,799 S * 1/2018 Kimura D12/169
D809,981 S * 2/2018 Seo D12/169

(Continued)

(**) Term: **15 Years**
(21) Appl. No.: **29/637,227**

FOREIGN PATENT DOCUMENTS

EM 001132864-0001 6/2009
WO WO DM/084038 1/2015
WO WO DM/096281 11/2017

(22) Filed: **Feb. 15, 2018**

Primary Examiner — Susan Bennett Hattan

Assistant Examiner — Suzanne E Tisdell

(30) **Foreign Application Priority Data**

(74) *Attorney, Agent, or Firm* — Crowell & Moring LLP

Aug. 24, 2017 (DE) 40 2017 100 943

(57) **CLAIM**

(51) **LOC (12) Cl.** **12-16**

The ornamental design for a front bumper for a vehicle, as shown and described.

(52) **U.S. Cl.**
USPC **D12/169**

DESCRIPTION

(58) **Field of Classification Search**
USPC D12/86, 91, 93, 163, 164, 166, 167, 169, D12/171, 172, 173, 190, 216
CPC B62D 25/08; B62B 9/16; B60K 11/08; B60R 19/52
See application file for complete search history.

This application contains subject matter related to the following co-pending U.S. design patent applications: Application No. 29/605,290, filed May 25, 2017 and entitled "Front Bumper for a Vehicle"; Application No. 29/605,296, filed May 25, 2017 and entitled "Front Bumper for a Vehicle"; and Application No. 29/637,226, filed herewith and entitled "Vehicle, Toy, and/or Replicas Thereof".

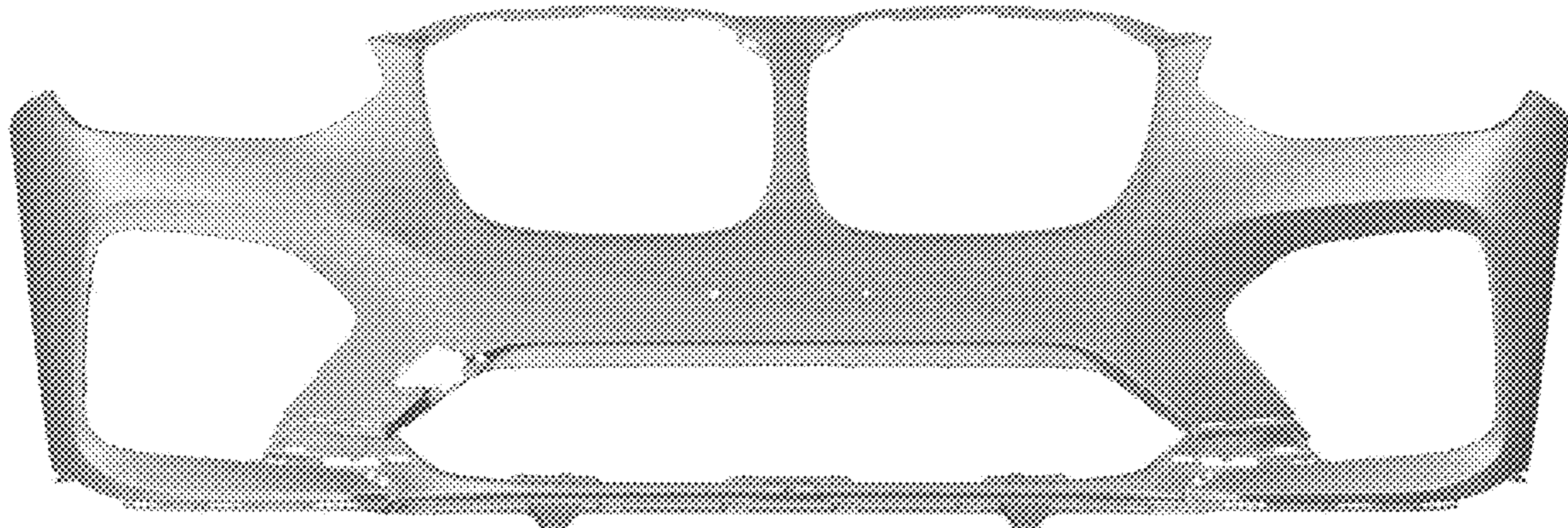
(56) **References Cited**

U.S. PATENT DOCUMENTS

6,729,682 B2 * 5/2004 Delavalle B62D 25/08 296/193.08
D610,956 S 3/2010 Truebsbach
8,303,030 B2 * 11/2012 Baccouche B60R 19/24 296/203.01
D715,708 S * 10/2014 Mays D12/169
D715,709 S * 10/2014 Matsumoto D12/169
D772,118 S * 11/2016 Schneider D12/169
D788,657 S * 6/2017 Oohashi D12/169
D801,237 S * 10/2017 Jang D12/169
D801,883 S * 11/2017 Fujiwara D12/169

FIG. 1 is a front view of a front bumper for a vehicle according to the design; FIG. 2 is a right, front perspective view thereof; FIG. 3 is a left, bottom perspective view thereof; FIG. 4 is a right side view thereof; FIG. 5 is a left side view thereof; FIG. 6 is a top view thereof; FIG. 7 is a bottom view thereof; and, FIG. 8 is a rear view thereof.

1 Claim, 8 Drawing Sheets



(56)

References Cited

U.S. PATENT DOCUMENTS

D811,289 S *	2/2018	Bucher	D12/169
D811,291 S *	2/2018	Ishigaki	D12/169
D811,964 S *	3/2018	Perkins	D12/169
D813,740 S *	3/2018	Park	D12/169
D814,369 S *	4/2018	Loeb	D12/169
D816,566 S *	5/2018	Loeb	D12/169
D817,235 S *	5/2018	Bucher	D12/169
D817,826 S *	5/2018	Seo	D12/169
D819,517 S *	6/2018	Arai	D12/169
D819,529 S *	6/2018	Szavits	D12/173
D820,174 S *	6/2018	Whitla	D12/169

* cited by examiner

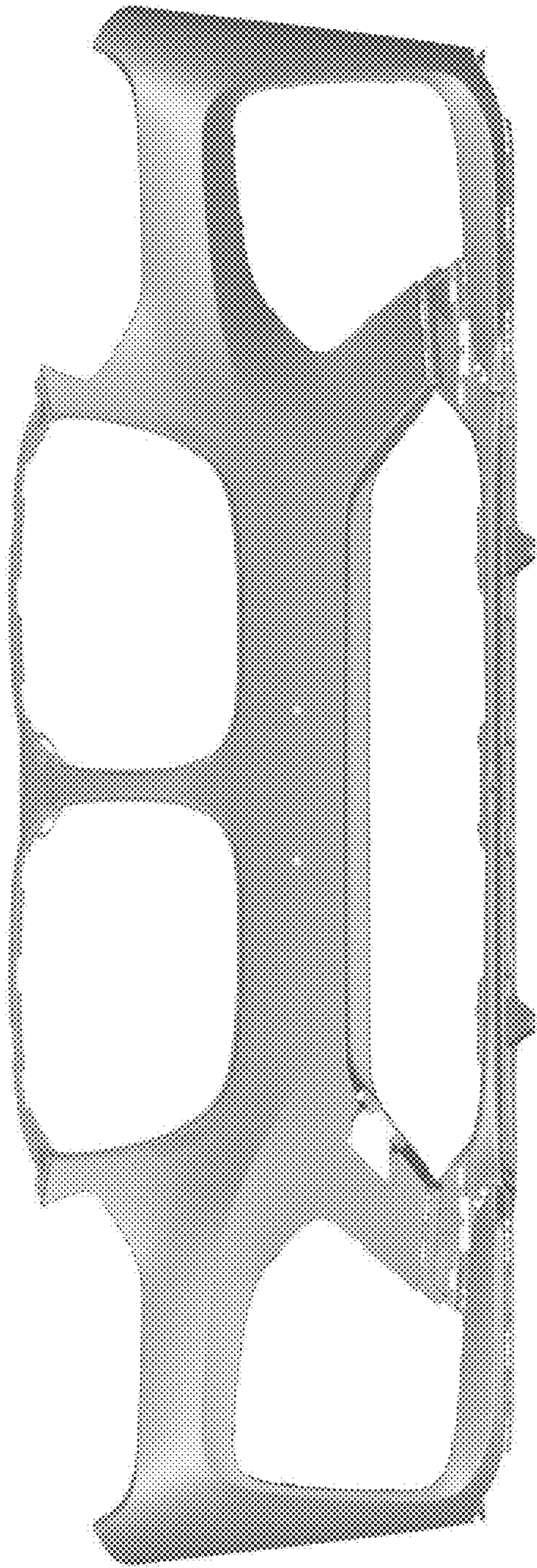


Fig. 1

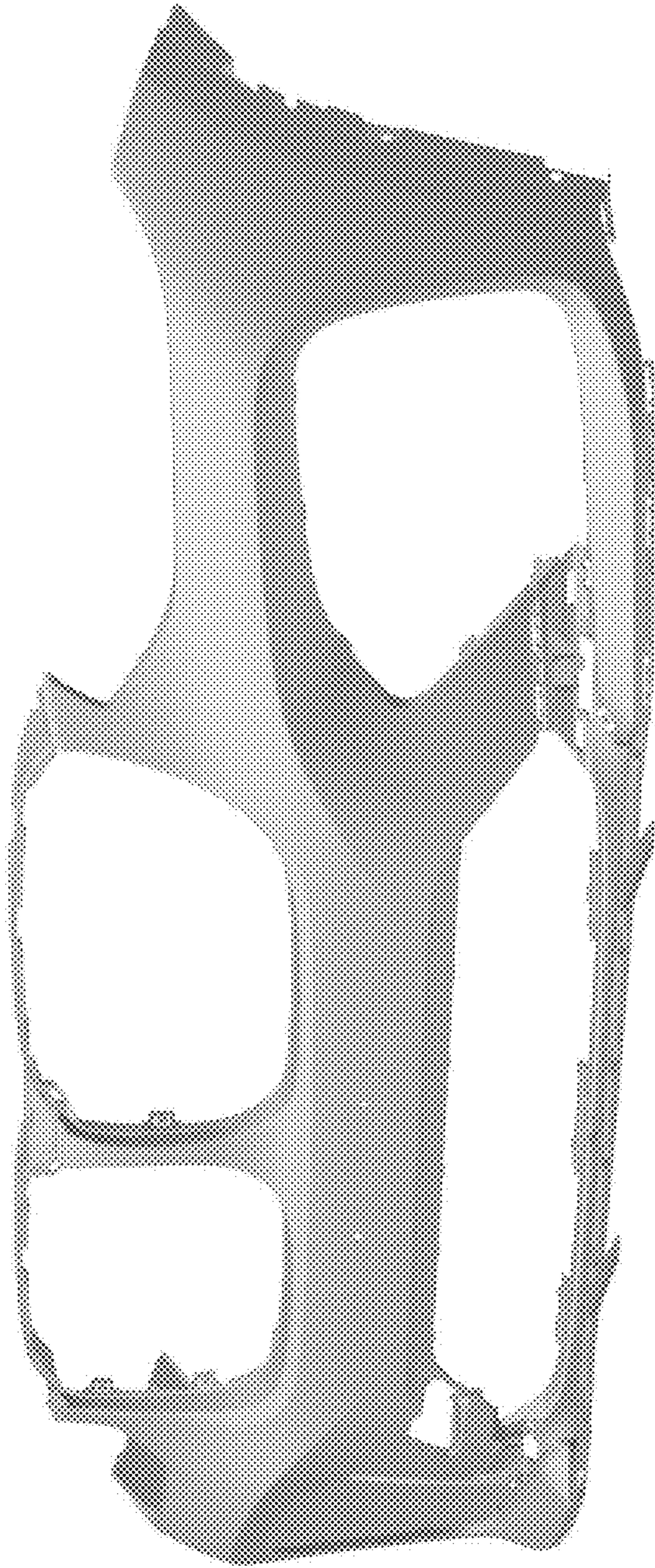


Fig. 2

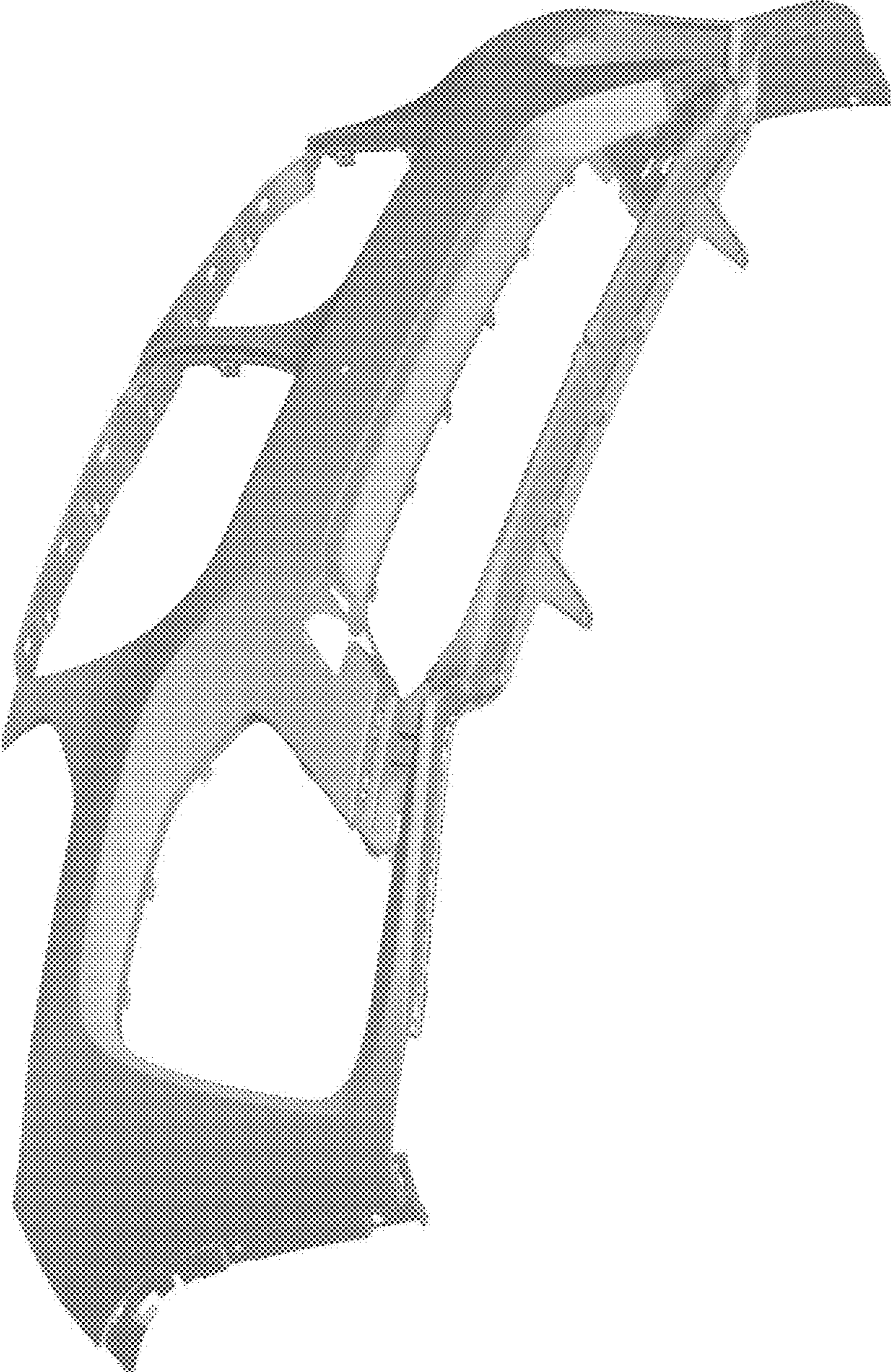


Fig. 3

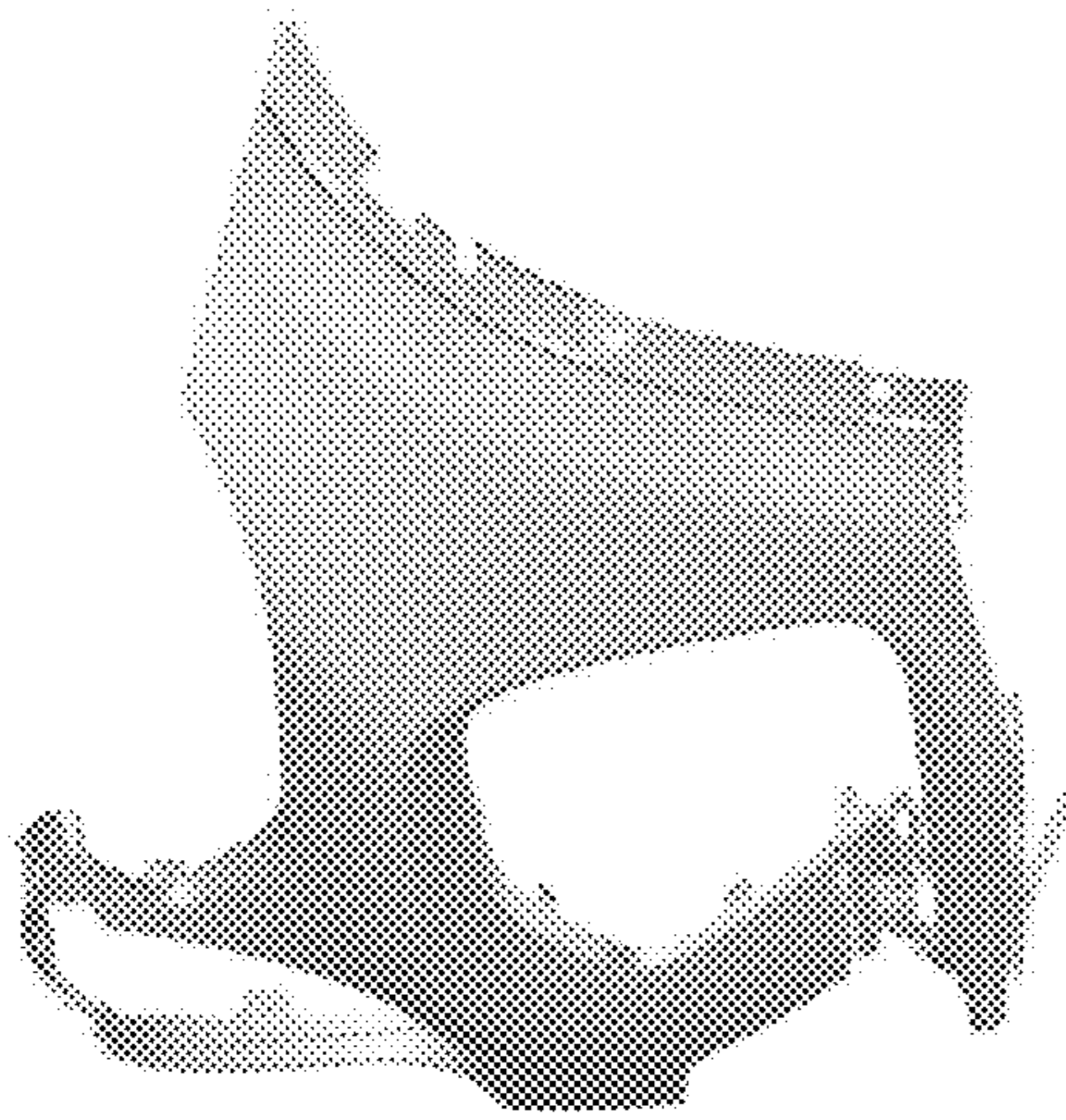


Fig. 4

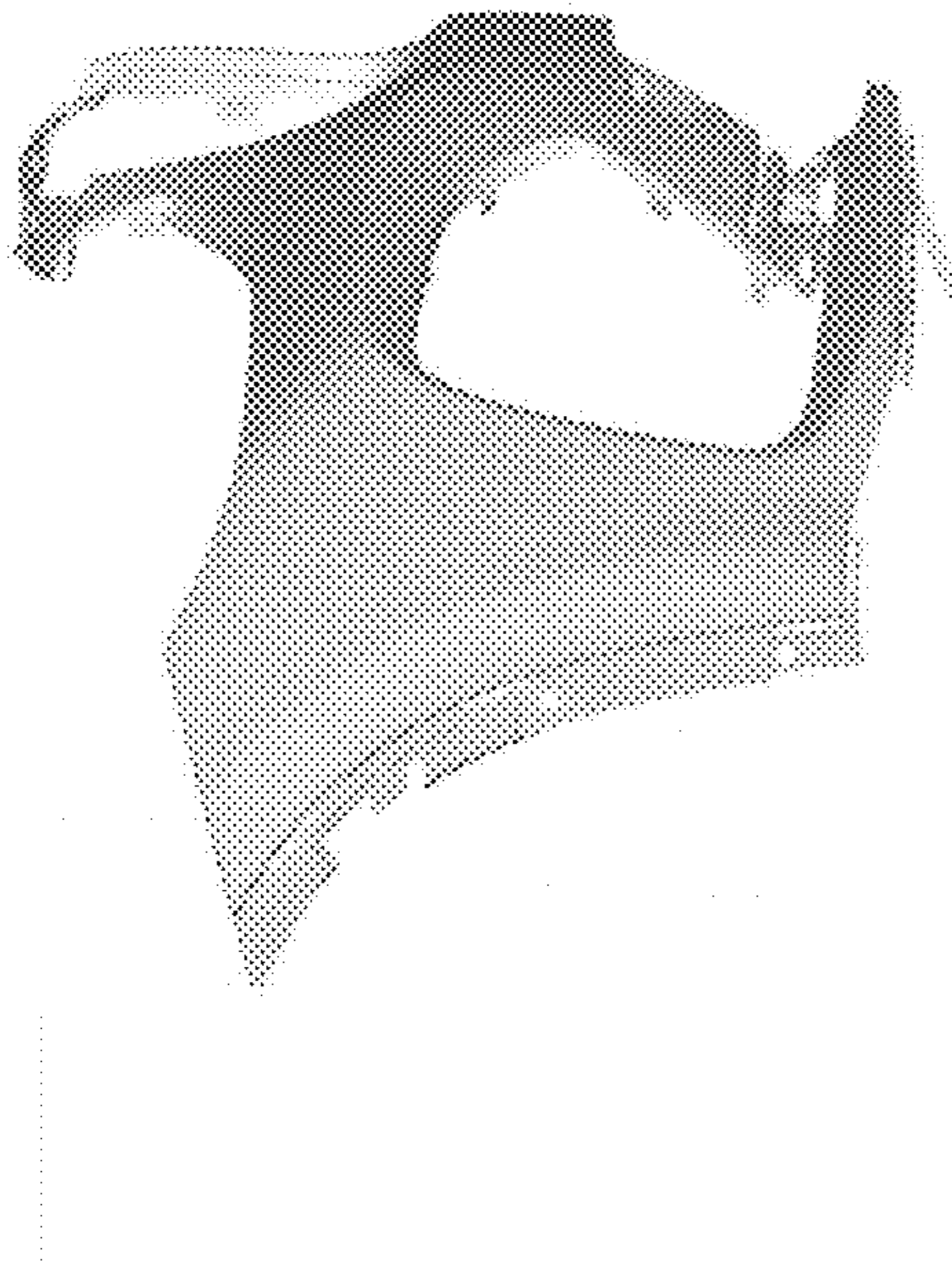


Fig. 5

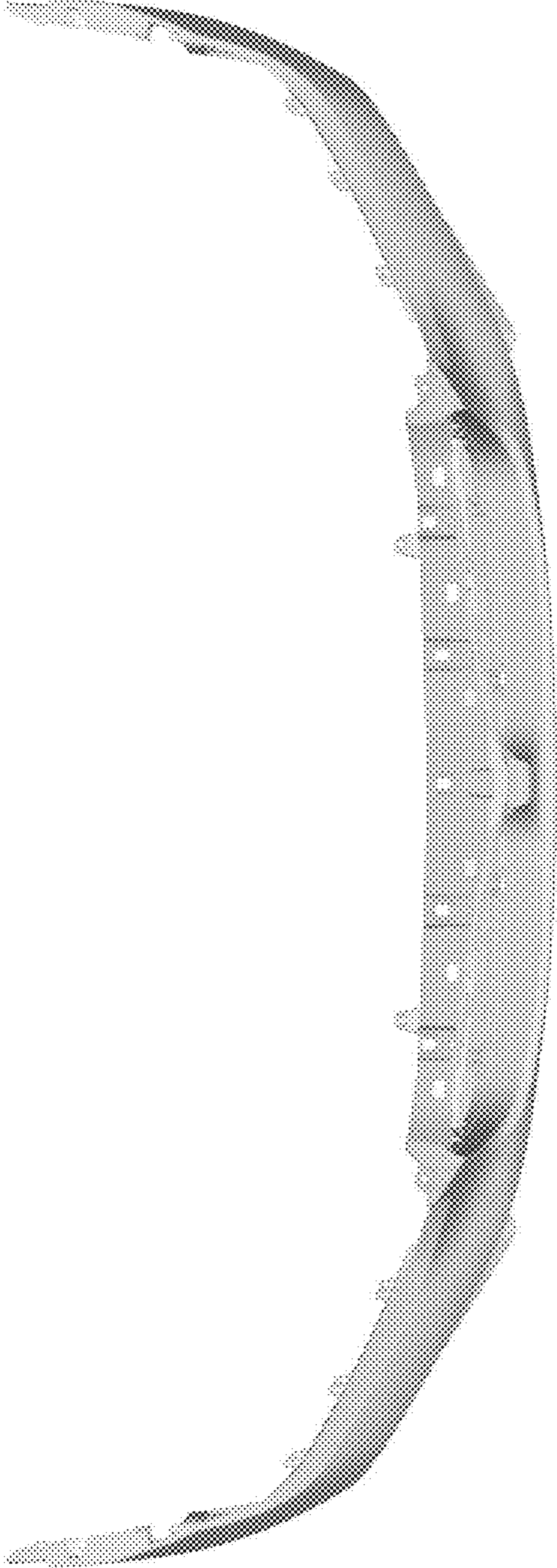


Fig. 6

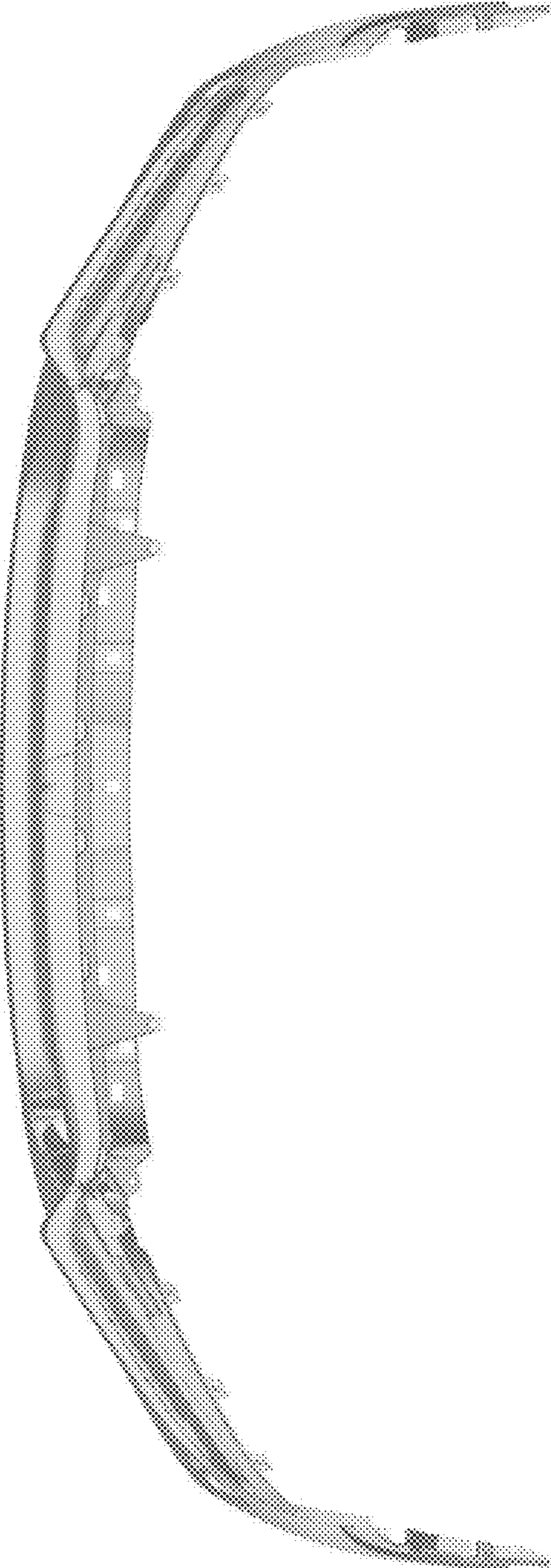


Fig. 7

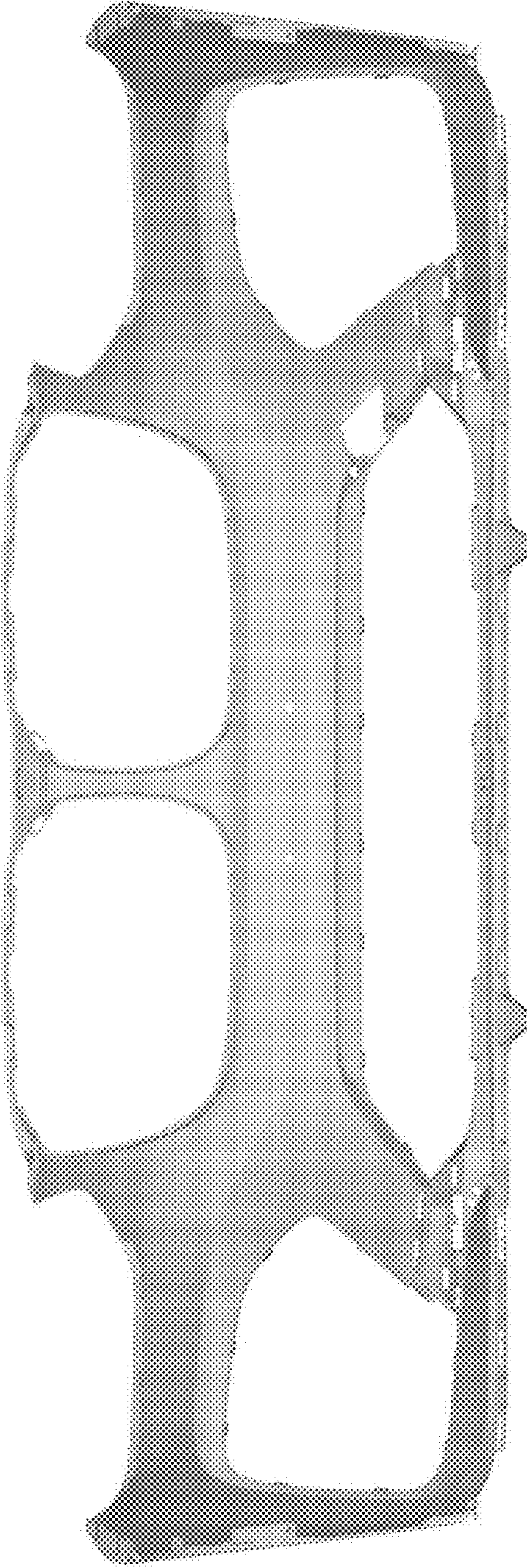


Fig. 8