



US00D873724S

(12) **United States Design Patent**
Borkholder

(10) **Patent No.:** **US D873,724 S**
(45) **Date of Patent:** **** Jan. 28, 2020**

(54) **BALL HITCH**

(71) Applicant: **Carl J. Borkholder**, Bremen, IN (US)

(72) Inventor: **Carl J. Borkholder**, Bremen, IN (US)

(**) Term: **15 Years**

(21) Appl. No.: **29/673,117**

(22) Filed: **Dec. 12, 2018**

(51) **LOC (12) Cl.** **12-16**

(52) **U.S. Cl.**
USPC **D12/162**

(58) **Field of Classification Search**
USPC D12/159-162
CPC . B60D 1/60; B60D 1/065; B60D 1/00; B60D
1/06; B60D 1/36
See application file for complete search history.

(56) **References Cited**

U.S. PATENT DOCUMENTS

6,789,815	B2 *	9/2004	Moss	B60D 1/06 280/416.1
8,371,603	B2 *	2/2013	Columbia	B60D 1/06 280/504
D729,703	S *	5/2015	Song	D12/162
9,457,631	B1 *	10/2016	Kennemer	B60D 1/07
D834,464	S *	11/2018	Cincunegui	D12/162

D841,526	S *	2/2019	Siegel	D12/162
D847,698	S *	5/2019	Moore	D12/162
D854,971	S *	7/2019	McCuskey	D12/162
D856,199	S *	8/2019	Siegel	D12/162
2003/0052472	A1 *	3/2003	Moss	B60D 1/06 280/415.1
2010/0207360	A1 *	8/2010	Columbia	B60D 1/02 280/504
2017/0087947	A1 *	3/2017	Moore	B60D 1/583
2018/0079266	A1 *	3/2018	Cincunegui	B60D 1/075

* cited by examiner

Primary Examiner — Katrina A Betton

(74) *Attorney, Agent, or Firm* — Botkin & Hall, LLP

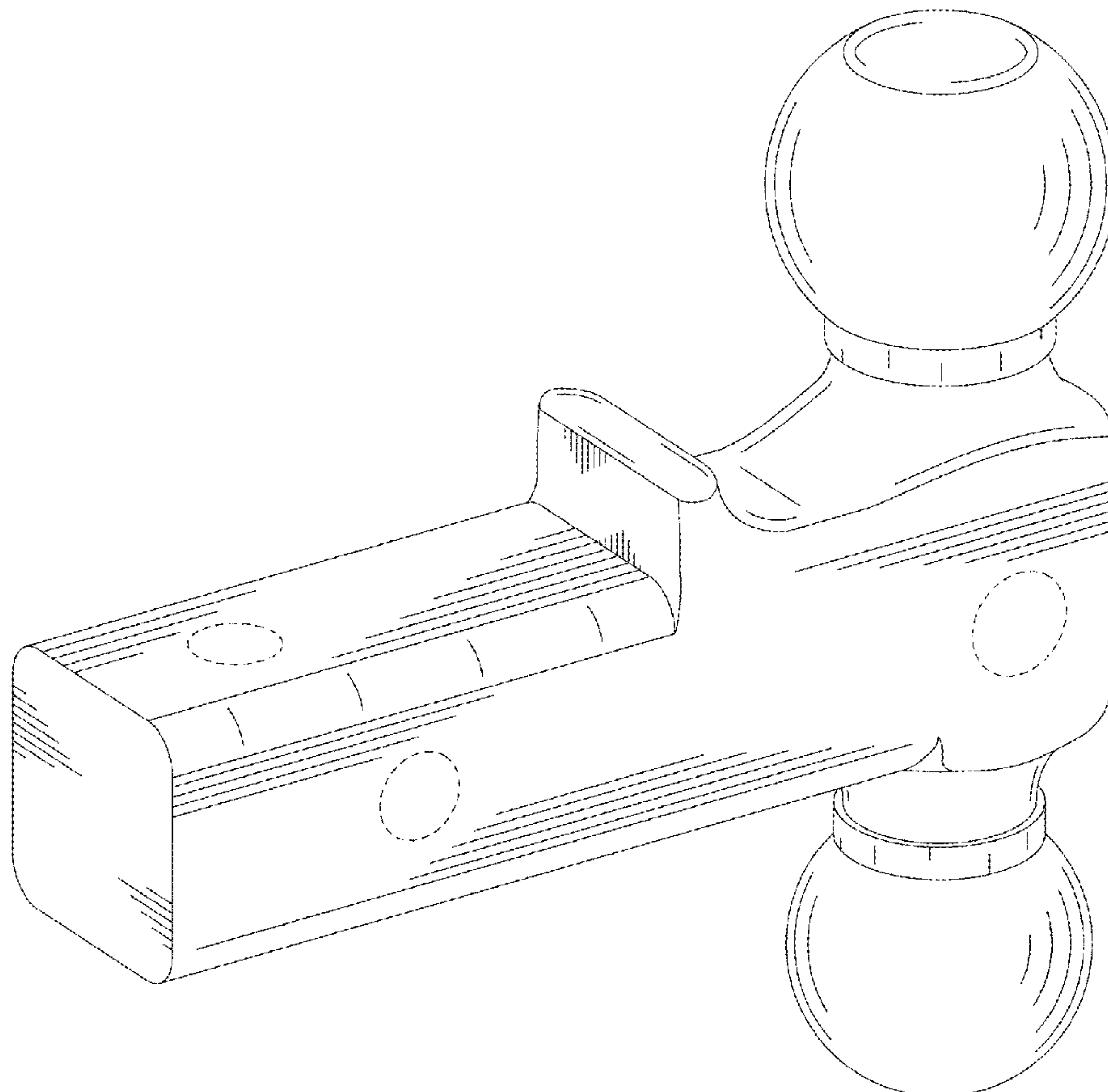
(57) **CLAIM**

The ornamental design for a ball hitch, as shown and described.

DESCRIPTION

FIG. 1 is a rear isometric view of the ball hitch; FIG. 2 is a left side view of the ball hitch of FIG. 1, the right side view being mirror symmetrical; FIG. 3 is a rear view of the ball hitch of FIG. 1; FIG. 4 is a front view of the ball hitch of FIG. 1; FIG. 5 is a top view of the ball hitch of FIG. 1; and, FIG. 6 is a bottom view of the ball hitch of FIG. 1. The broken lines depict portions of the ball hitch that form no part of the claimed design, and are for illustrative purposes only.

1 Claim, 4 Drawing Sheets



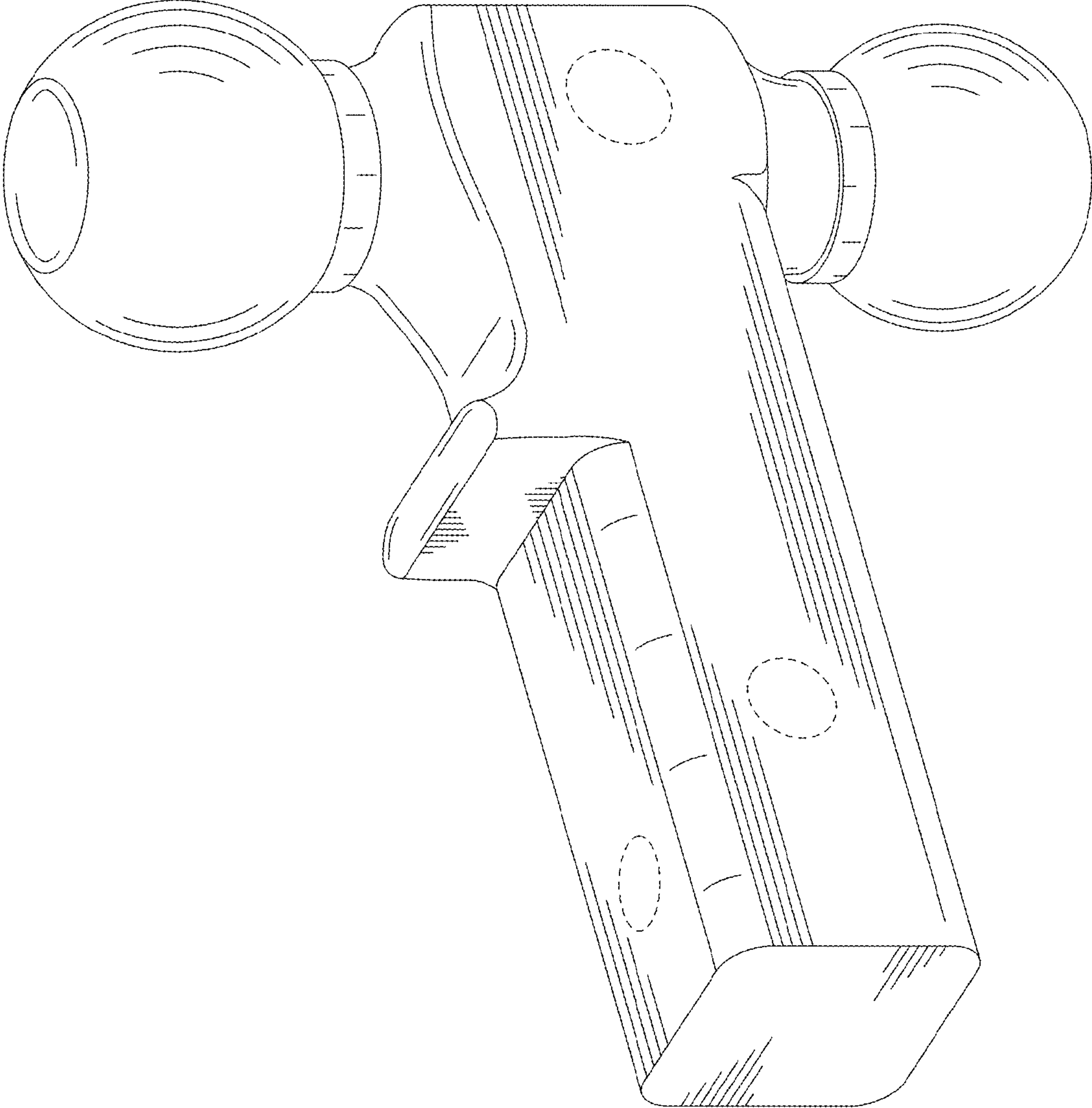


Fig. 1

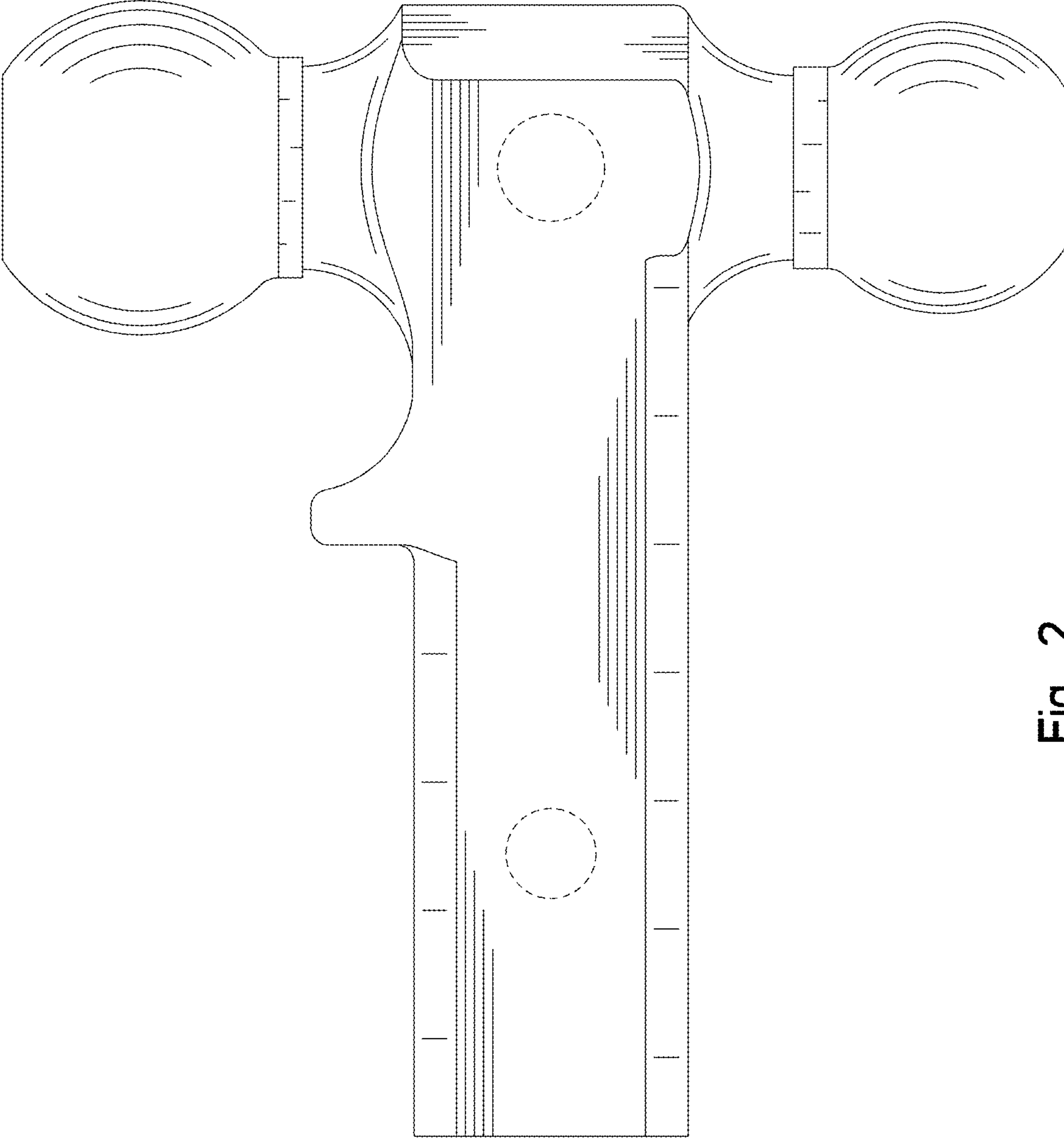


Fig. 2

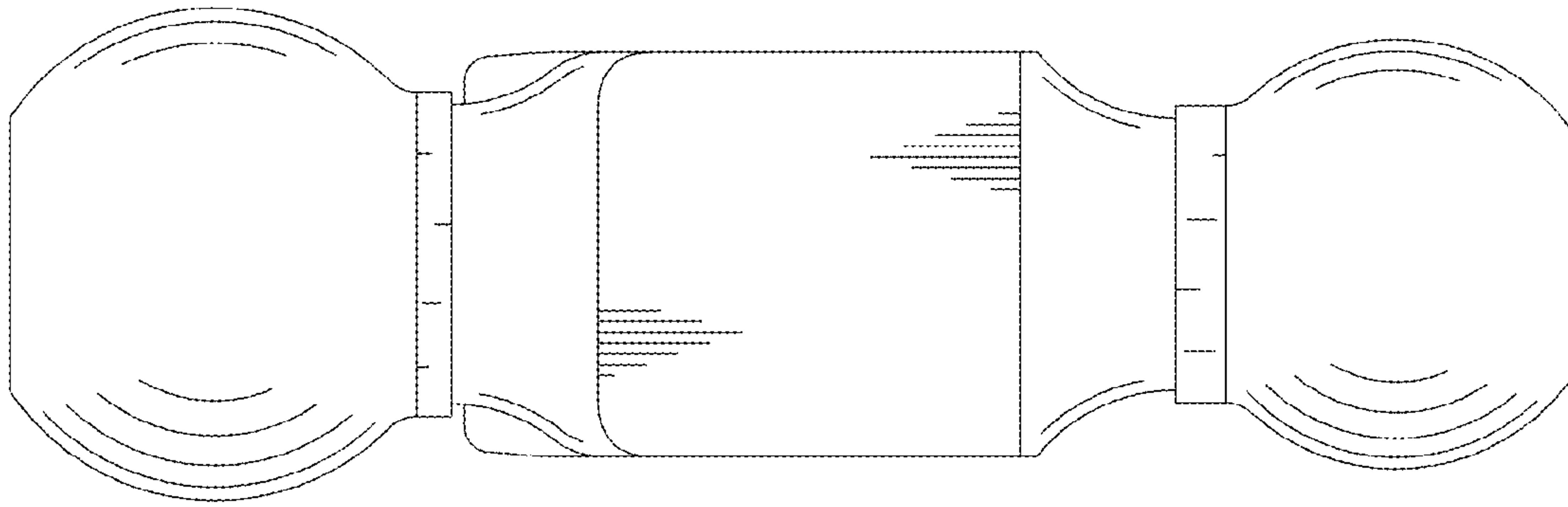


Fig. 4

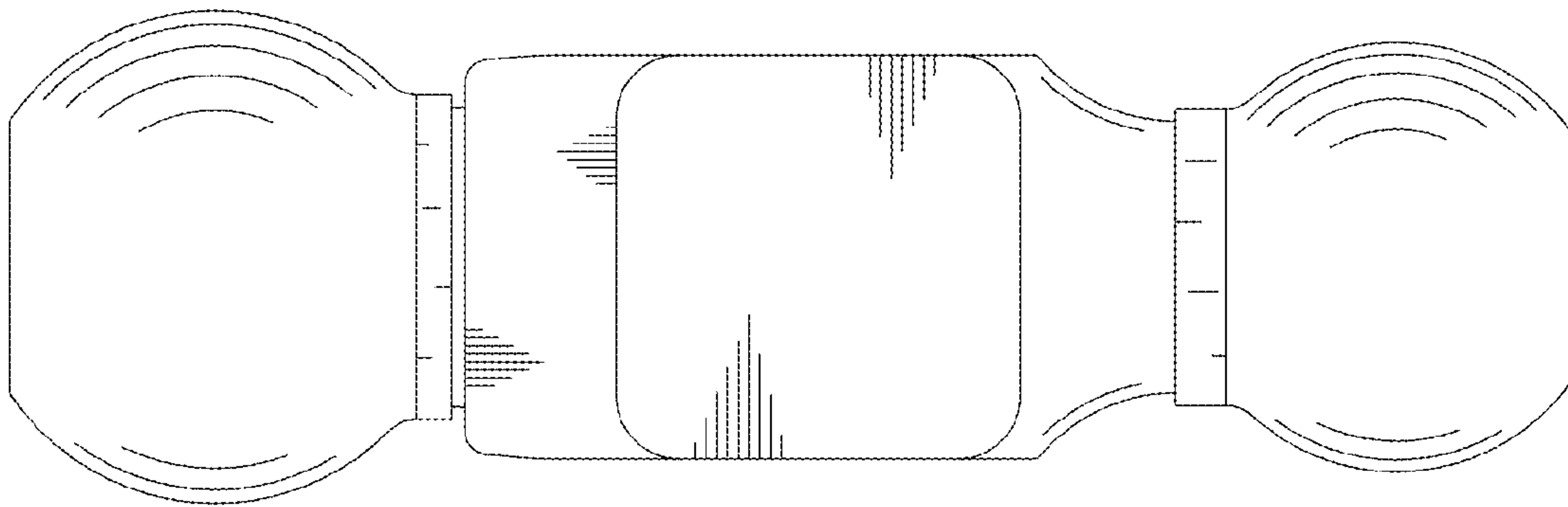


Fig. 3

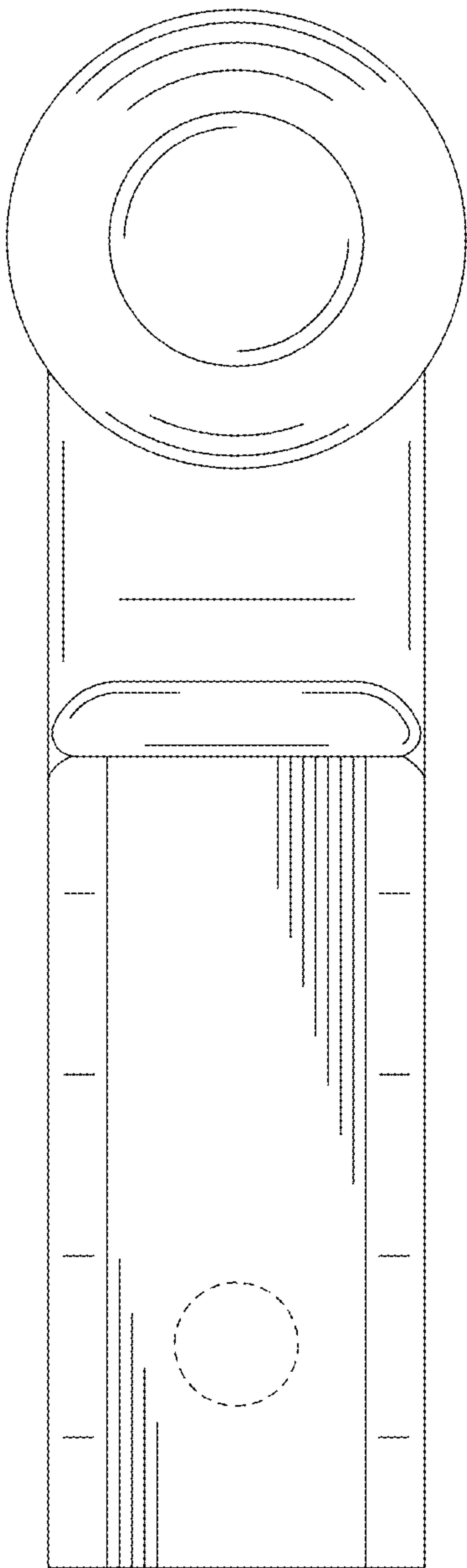


Fig. 5

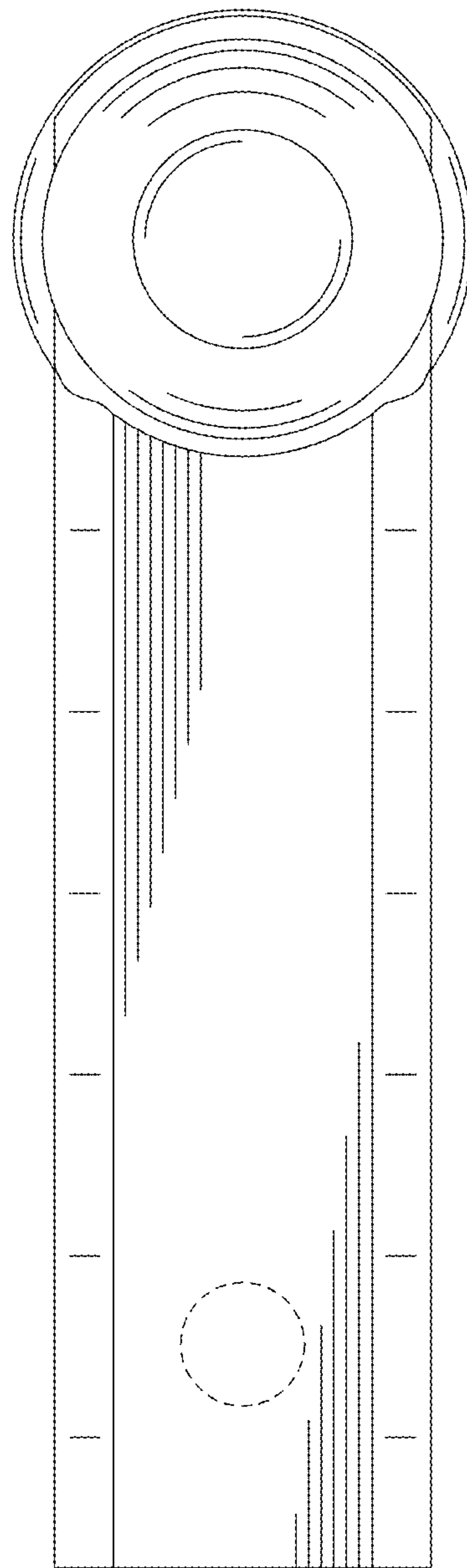


Fig. 6