

US00D873722S

(12) **United States Design Patent**
Zhang

(10) **Patent No.:** **US D873,722 S**

(45) **Date of Patent:** **** Jan. 28, 2020**

(54) **MOBILITY SCOOTER**

(71) Applicant: **DONGGUAN PRESTIGE SPORTING GOODS COMPANY LIMITED**, Dongguan (CN)

(72) Inventor: **Zhao Zhang**, Dongguan (CN)

(73) Assignee: **DONGGUAN PRESTIGE SPORTING GOODS COMPANY LIMITED**, Dongguan (CN)

(**) Term: **15 Years**

(21) Appl. No.: **29/657,381**

(22) Filed: **Jul. 20, 2018**

(30) **Foreign Application Priority Data**

Apr. 9, 2018 (CN) 2018 3 0140093

(51) **LOC (12) Cl.** **12-12**

(52) **U.S. Cl.**
USPC **D12/131**

(58) **Field of Classification Search**
USPC D12/128–133
CPC A61G 5/04; A61G 5/041–047; A61G 2005/048

See application file for complete search history.

(56) **References Cited**

U.S. PATENT DOCUMENTS

D491,494 S * 6/2004 Lippert D12/128
D627,270 S * 11/2010 Kretschmer D12/131

D765,559 S * 9/2016 Chan D12/131
D809,974 S * 2/2018 Chan D12/131
D809,975 S * 2/2018 Menichini D12/131
D832,152 S * 10/2018 Sasai D12/131
D838,215 S * 1/2019 Wu D12/131
D842,169 S * 3/2019 Delgatty D12/128
D848,317 S * 5/2019 Sugie D12/131

* cited by examiner

Primary Examiner — Charles D Hanson

(74) *Attorney, Agent, or Firm* — Shimokaji IP

(57) **CLAIM**

The ornamental design for a mobility scooter, as shown and described.

DESCRIPTION

FIG. 1 is a front elevation view of a mobility scooter showing our design;

FIG. 2 is a rear elevational view thereof;

FIG. 3 is a left side elevational view thereof;

FIG. 4 is a right side elevational view thereof;

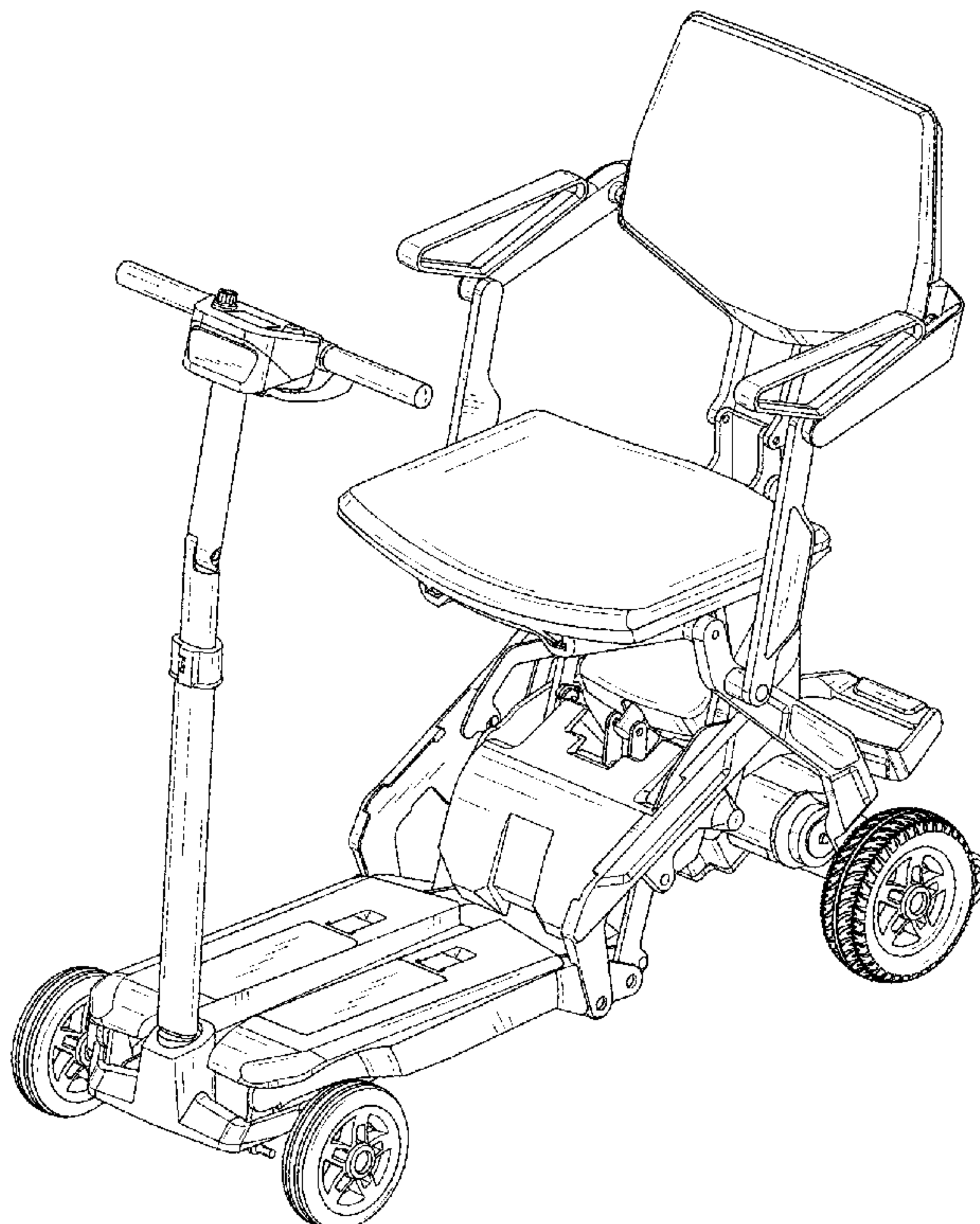
FIG. 5 is a top plan view thereof;

FIG. 6 is a bottom plan view thereof;

FIG. 7 is a perspective view thereof; and,

FIG. 8 is another perspective view thereof.

1 Claim, 8 Drawing Sheets



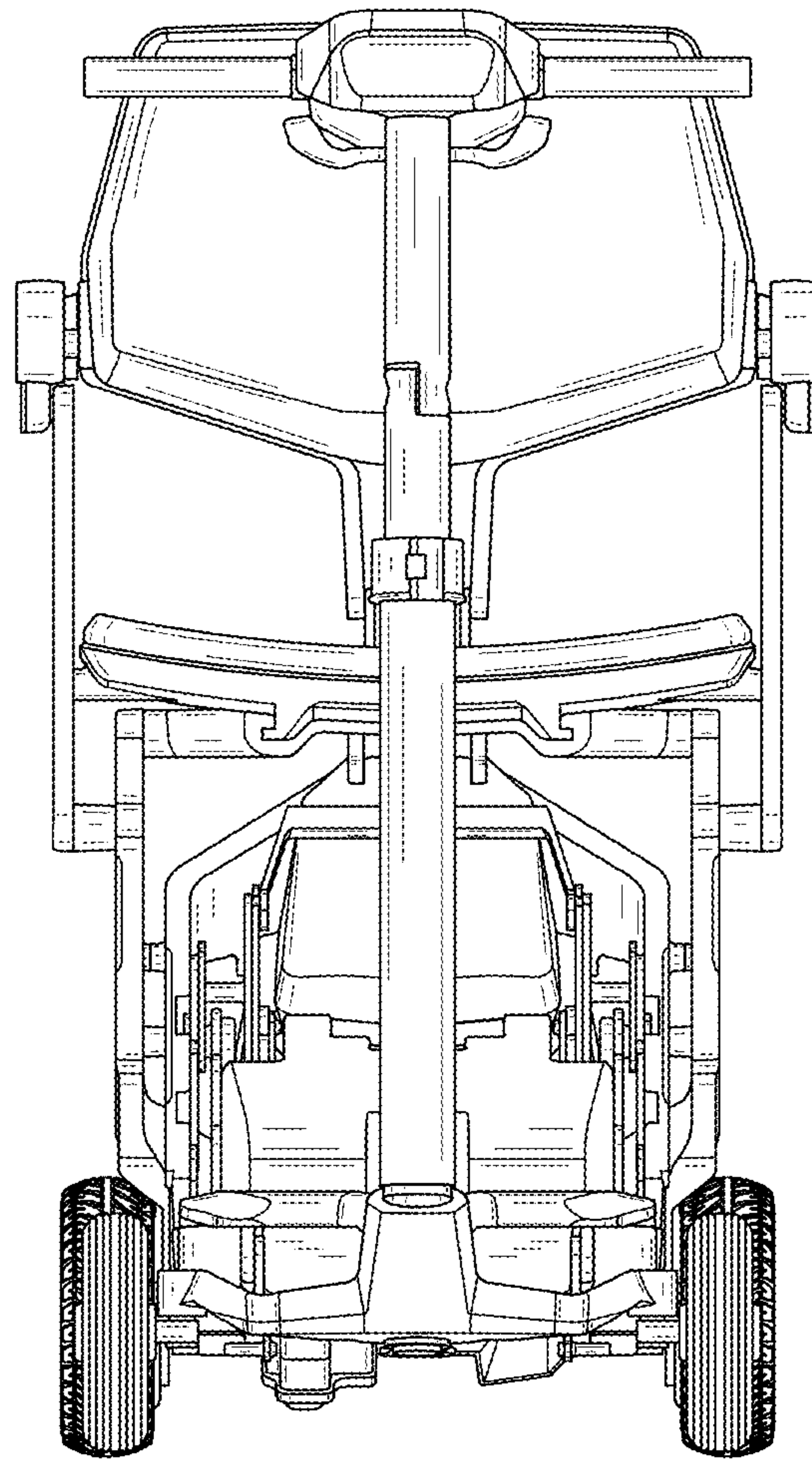


Fig.1

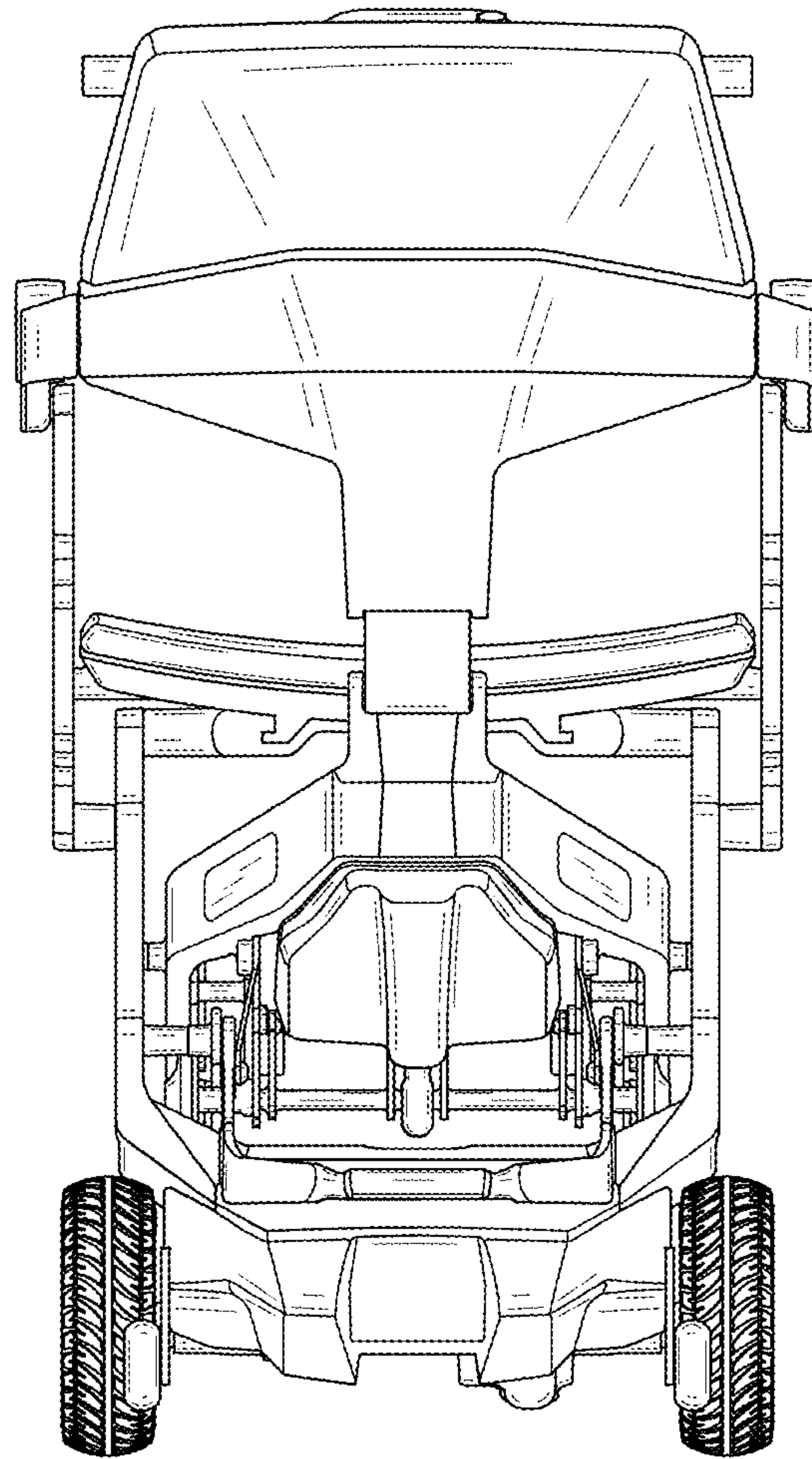


Fig.2

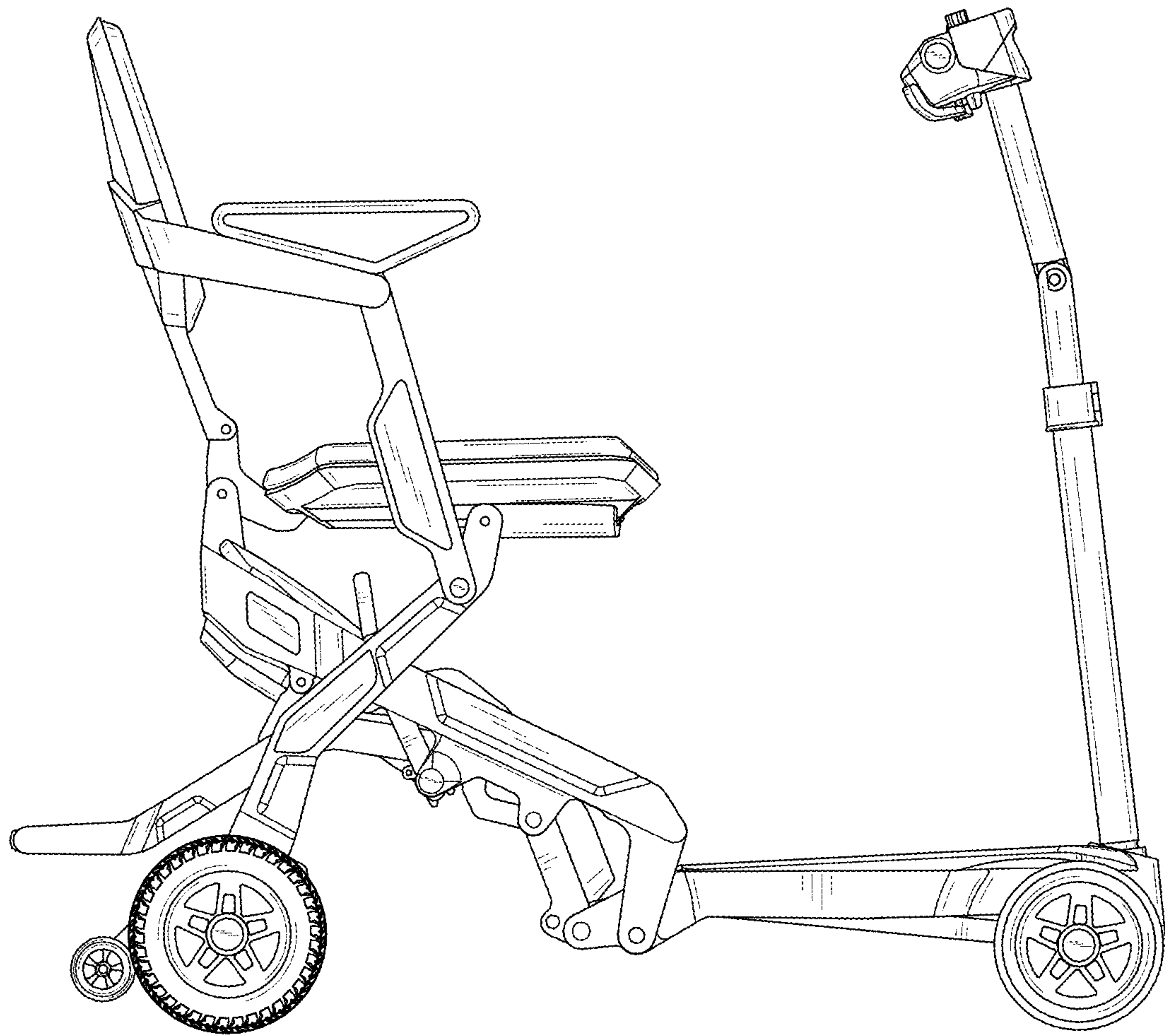


Fig.3

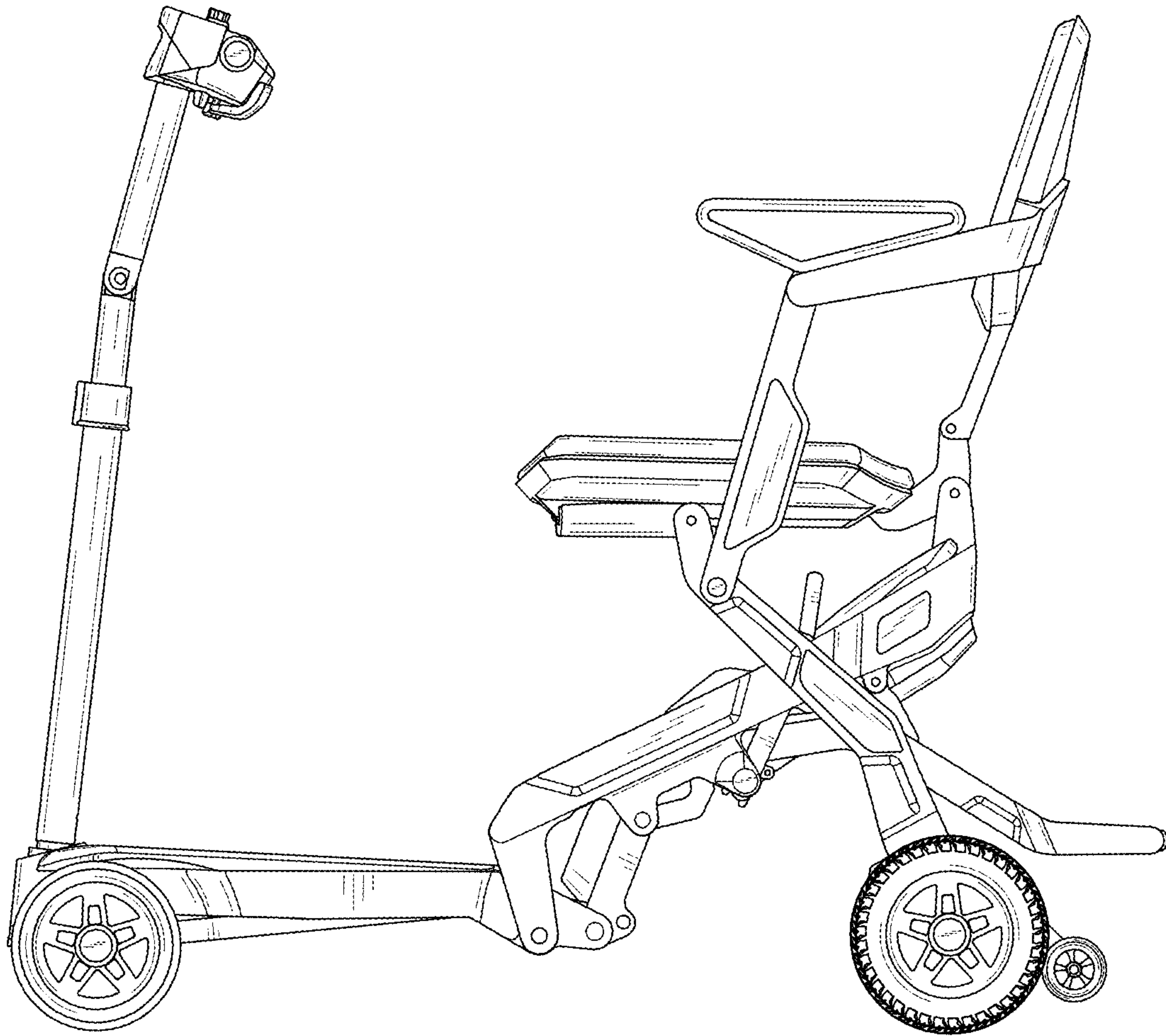


Fig.4

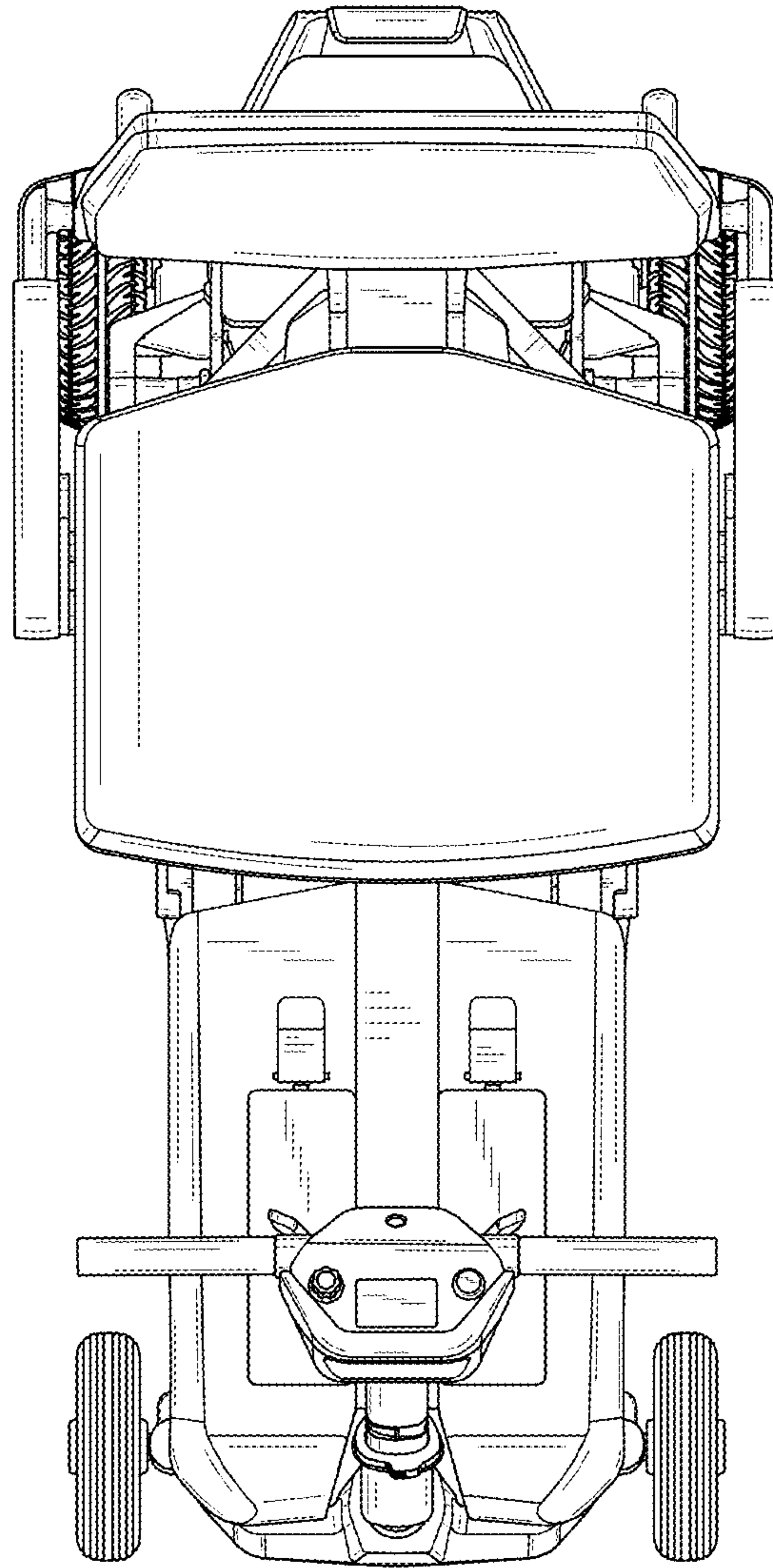


Fig.5

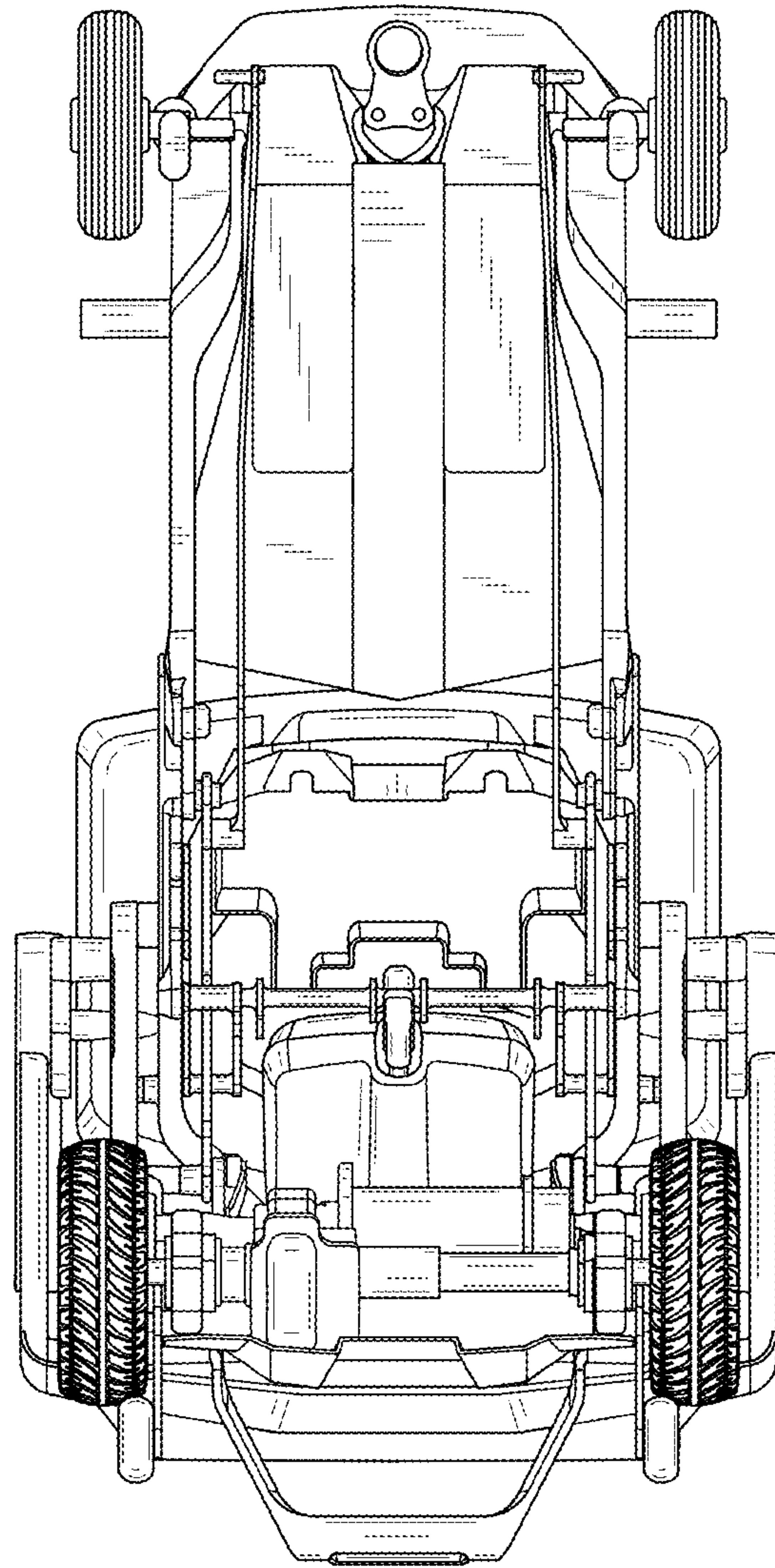


Fig.6



Fig.7

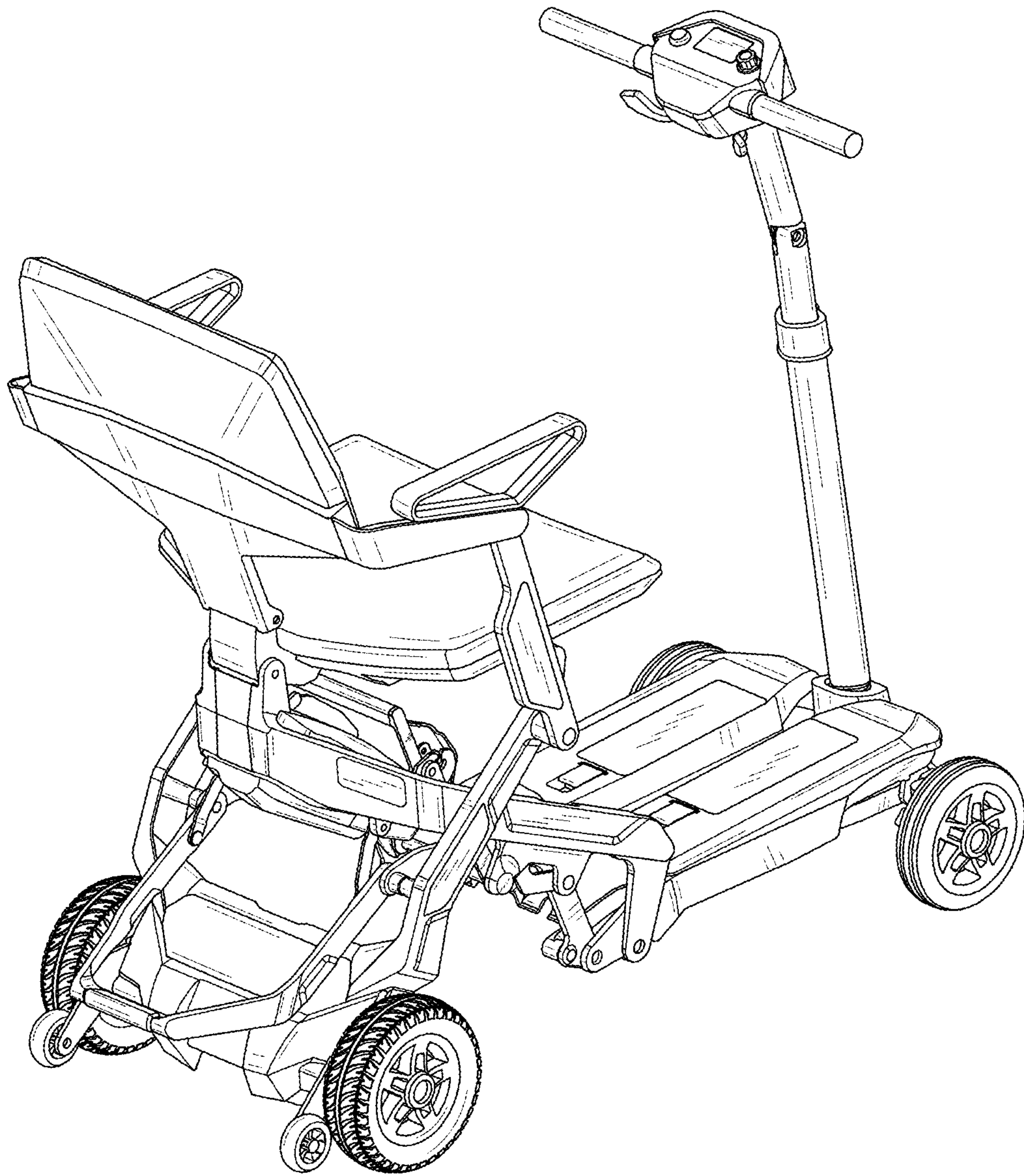


Fig.8