



US00D873721S

(12) **United States Design Patent**  
**Nagano**

(10) **Patent No.:** **US D873,721 S**  
(45) **Date of Patent:** **\*\* Jan. 28, 2020**

(54) **BRACKET FOR MOUNTING BICYCLE ACCESSORY**

(71) Applicant: **Cateye Co., Ltd.**, Osaka (JP)

(72) Inventor: **Toshiyuki Nagano**, Osaka (JP)

(73) Assignee: **Cateye Co., Ltd.**, Osaka (JP)

(\*\*) Term: **15 Years**

(21) Appl. No.: **29/638,271**

(22) Filed: **Feb. 26, 2018**

(30) **Foreign Application Priority Data**

Aug. 30, 2017 (JP) ..... 2017-018605

Aug. 30, 2017 (JP) ..... 2017-018606

(51) **LOC (12) Cl.** ..... **12-11**

(52) **U.S. Cl.**  
USPC ..... **D12/114**

(58) **Field of Classification Search**  
USPC ..... D12/114, 177, 178, 223, 400, 406, 407,  
D12/411, 415; D14/253; D8/396  
CPC ..... B62J 11/00  
See application file for complete search history.

(56) **References Cited**

**U.S. PATENT DOCUMENTS**

- 4,697,772 A \* 10/1987 Kosugi ..... F16M 11/105  
248/183.3
- D318,607 S \* 7/1991 Reid ..... D8/363
- 5,226,340 A \* 7/1993 Takeda ..... B62J 11/00  
74/551.8
- D351,036 S \* 9/1994 Tsushi ..... D26/29
- D370,193 S \* 5/1996 Shull ..... D12/114
- 5,904,442 A \* 5/1999 Takeda ..... B62J 11/00  
24/16 PB

- D505,875 S \* 6/2005 Okuda ..... D10/98
- D544,565 S \* 6/2007 Campbell ..... D22/110
- D564,419 S \* 3/2008 Clontz ..... D12/114
- D566,647 S \* 4/2008 Lee ..... D12/415
- D587,188 S \* 2/2009 Mo ..... D12/415
- D647,434 S \* 10/2011 Chambers ..... B62J 11/00  
D12/114
- D652,779 S \* 1/2012 Richter ..... D12/223
- D653,190 S \* 1/2012 Richter ..... D12/223
- D685,687 S \* 7/2013 Richter ..... D12/114
- D742,207 S \* 11/2015 Oquendo ..... D8/363
- D805,019 S \* 12/2017 Taylor ..... D12/400
- 2012/0305614 A1 \* 12/2012 Lee ..... B60R 11/0258  
224/545
- 2014/0263509 A1 \* 9/2014 Oquendo ..... B62J 11/00  
224/447

\* cited by examiner

*Primary Examiner* — Michelle E. Wilson

*Assistant Examiner* — Clese Moore, Jr.

(74) *Attorney, Agent, or Firm* — Saul Ewing Arnstein & Lehr LLP

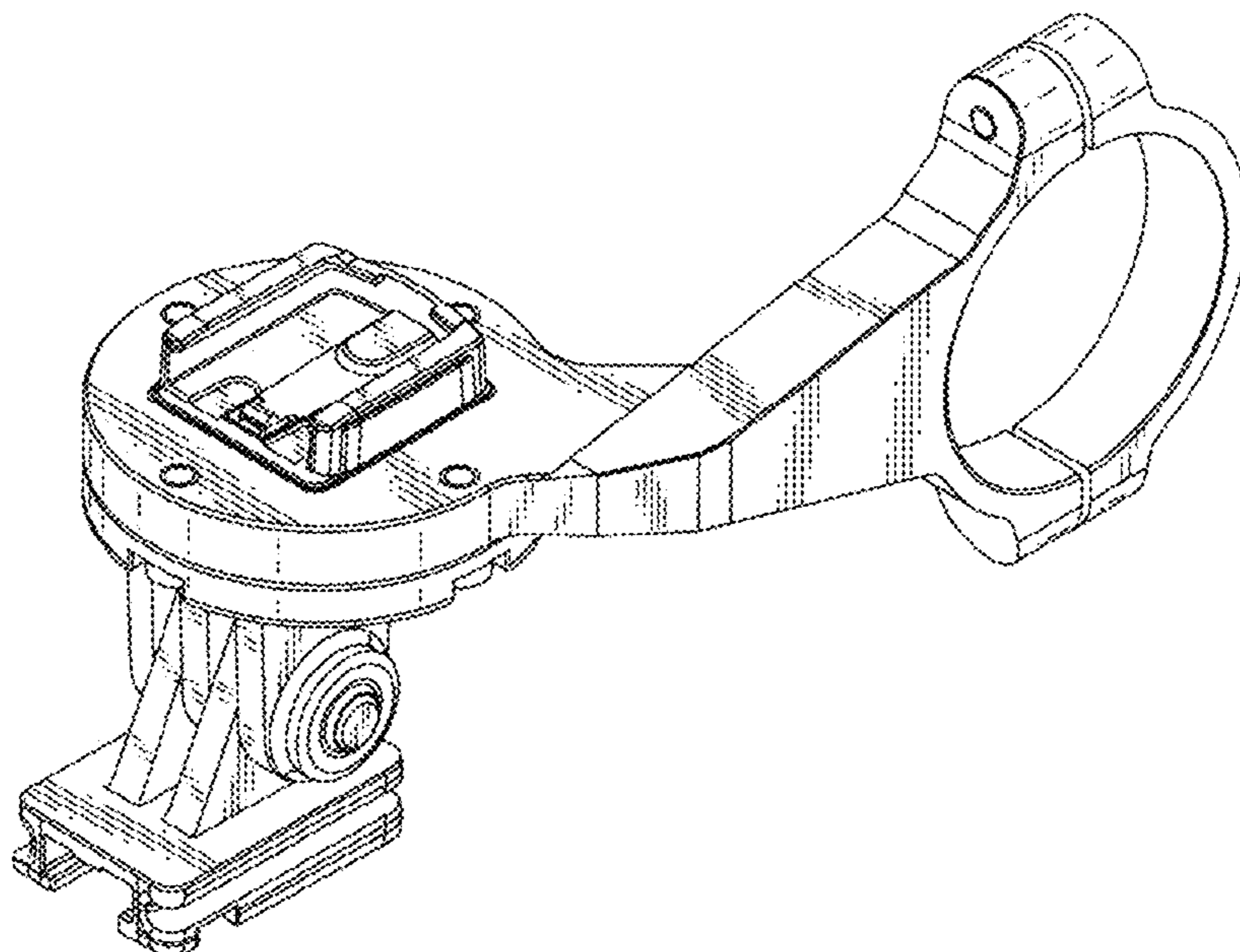
(57) **CLAIM**

The ornamental design for a bracket for mounting bicycle accessory, as shown.

**DESCRIPTION**

FIG. 1 is a perspective view of a bracket for mounting bicycle accessory of the present design; FIG. 2 is a front elevational view thereof; FIG. 3 is a rear elevational view thereof; FIG. 4 is a right side view thereof; FIG. 5 is a left side view thereof; FIG. 6 is a top plan view thereof; and, FIG. 7 is a bottom plan view thereof.

**1 Claim, 4 Drawing Sheets**



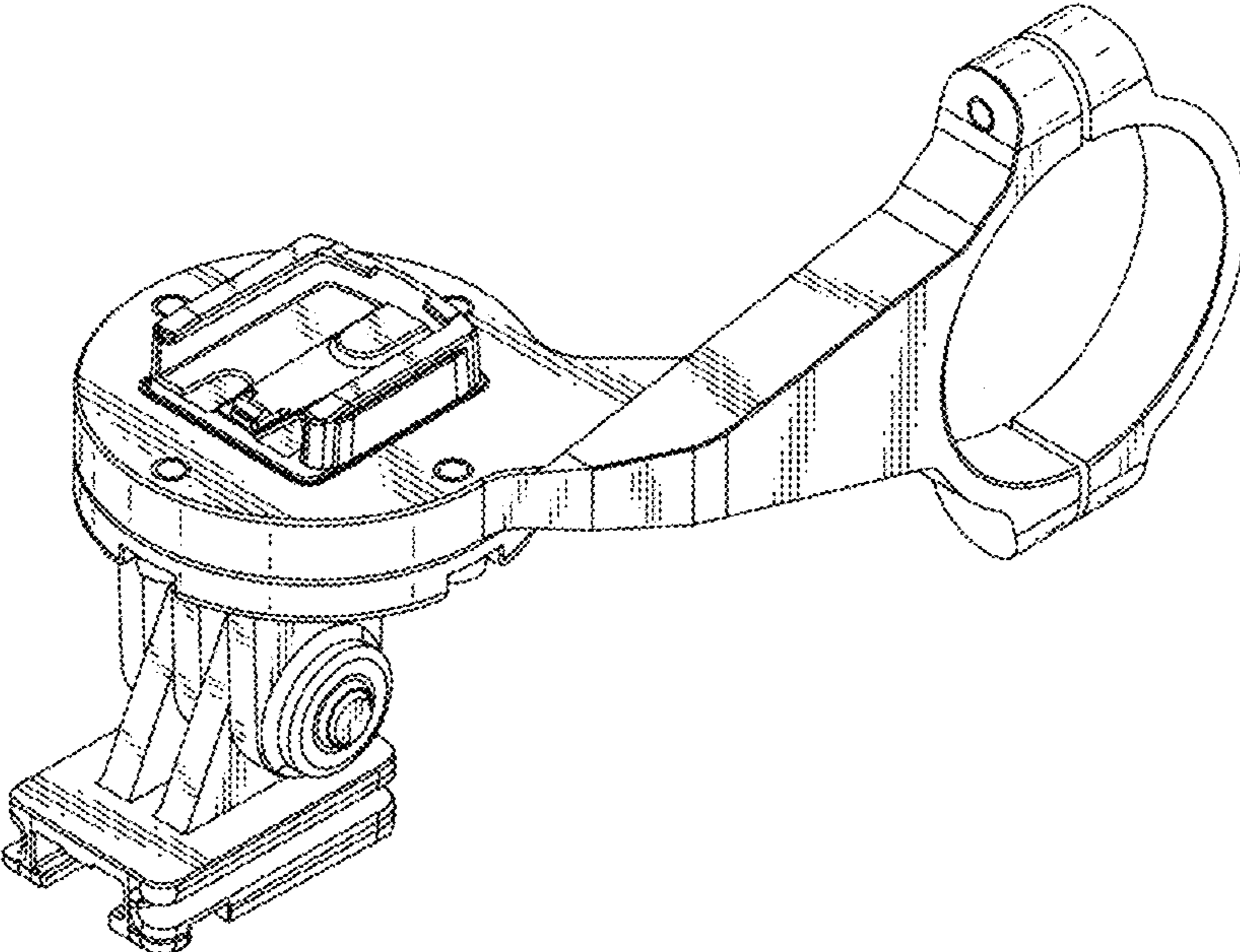


Fig. 1

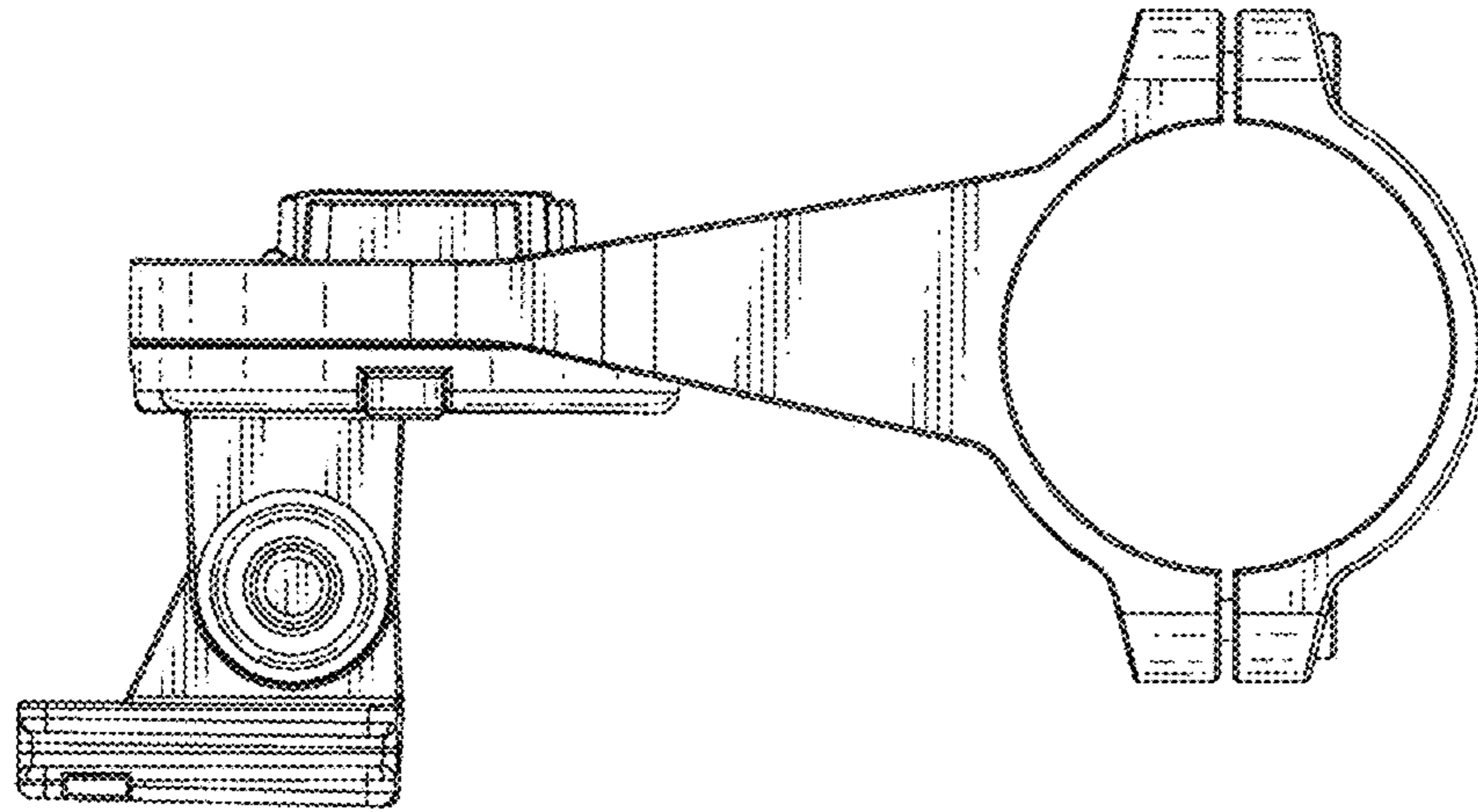


Fig. 2

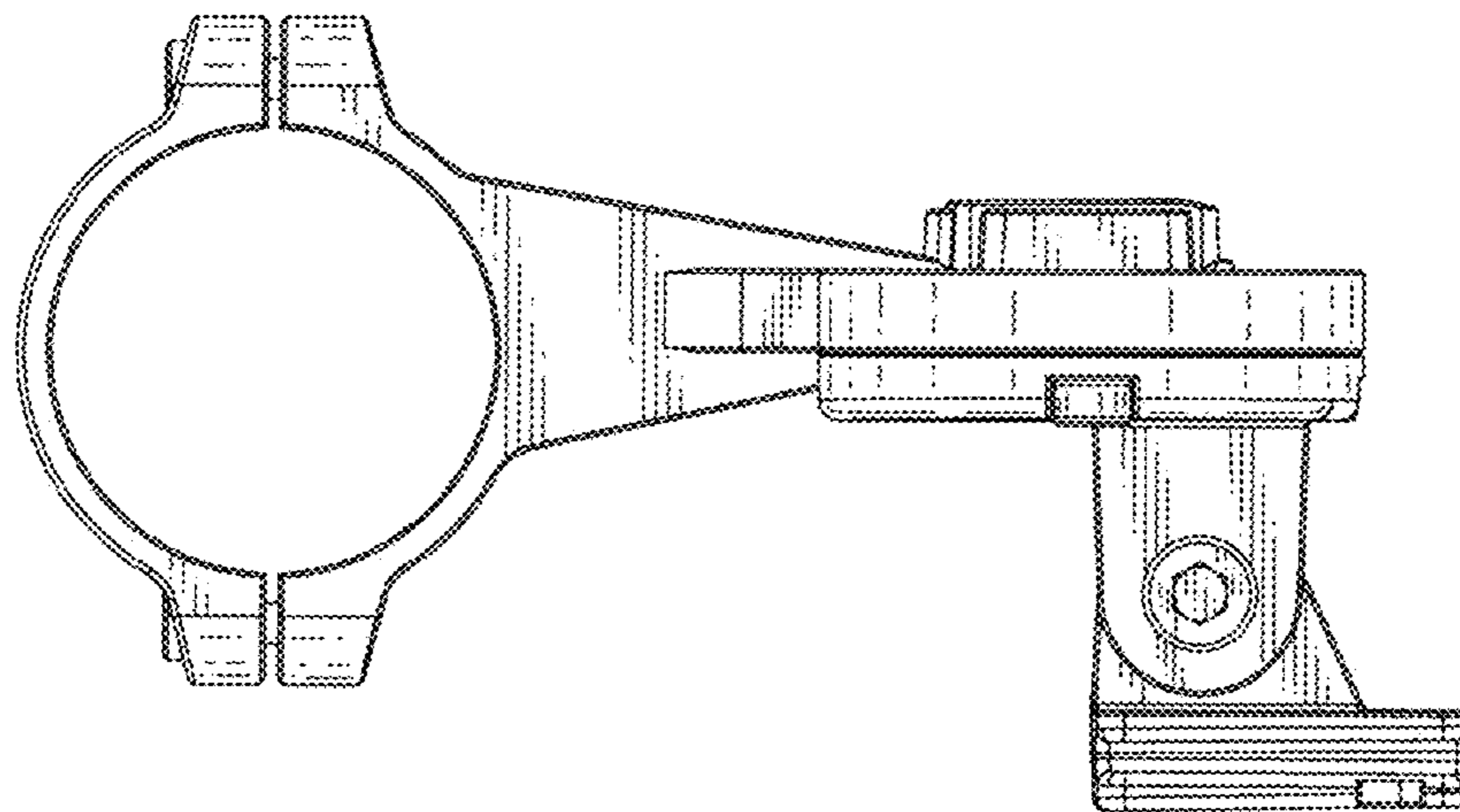


Fig. 3



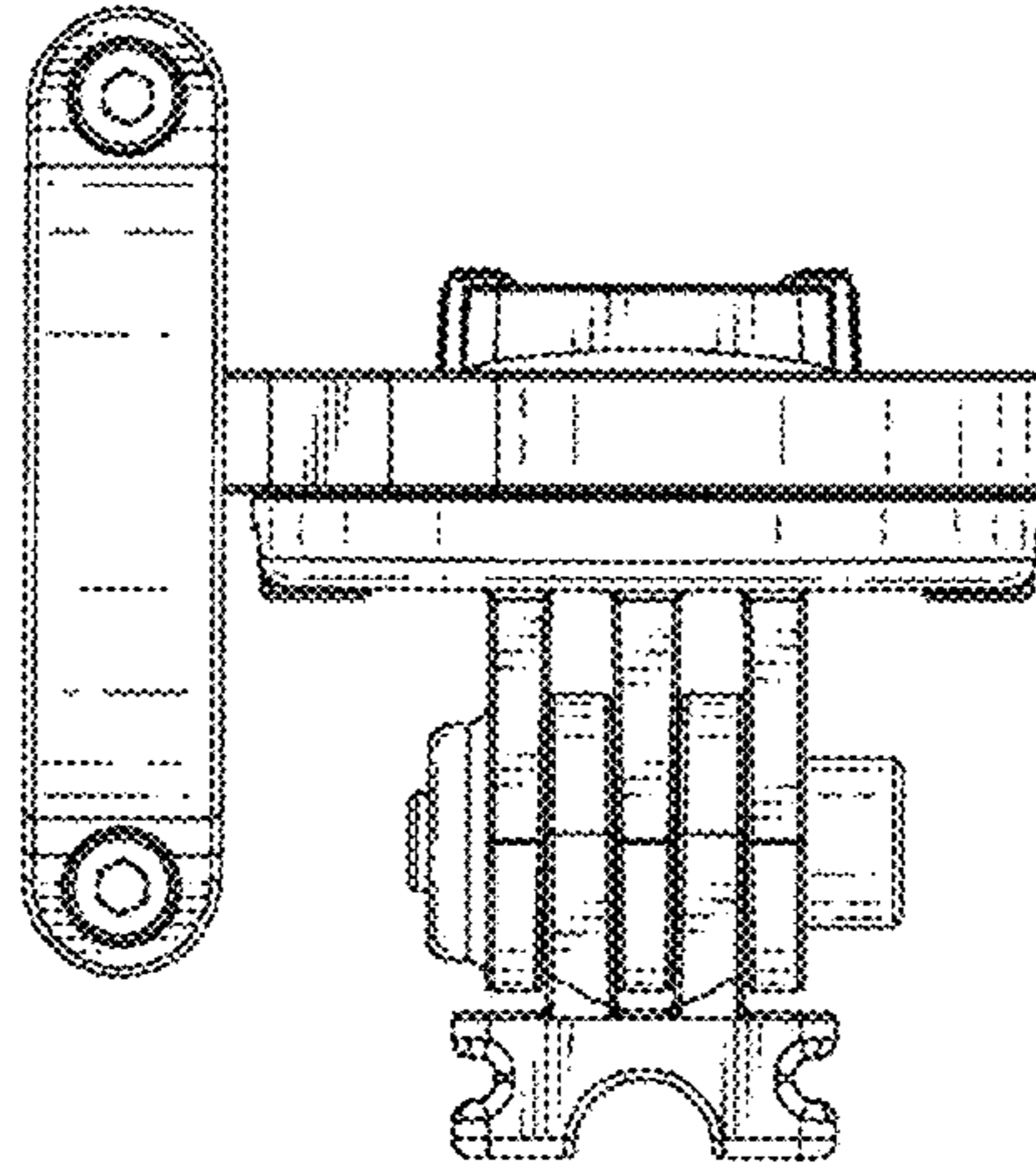


Fig. 4

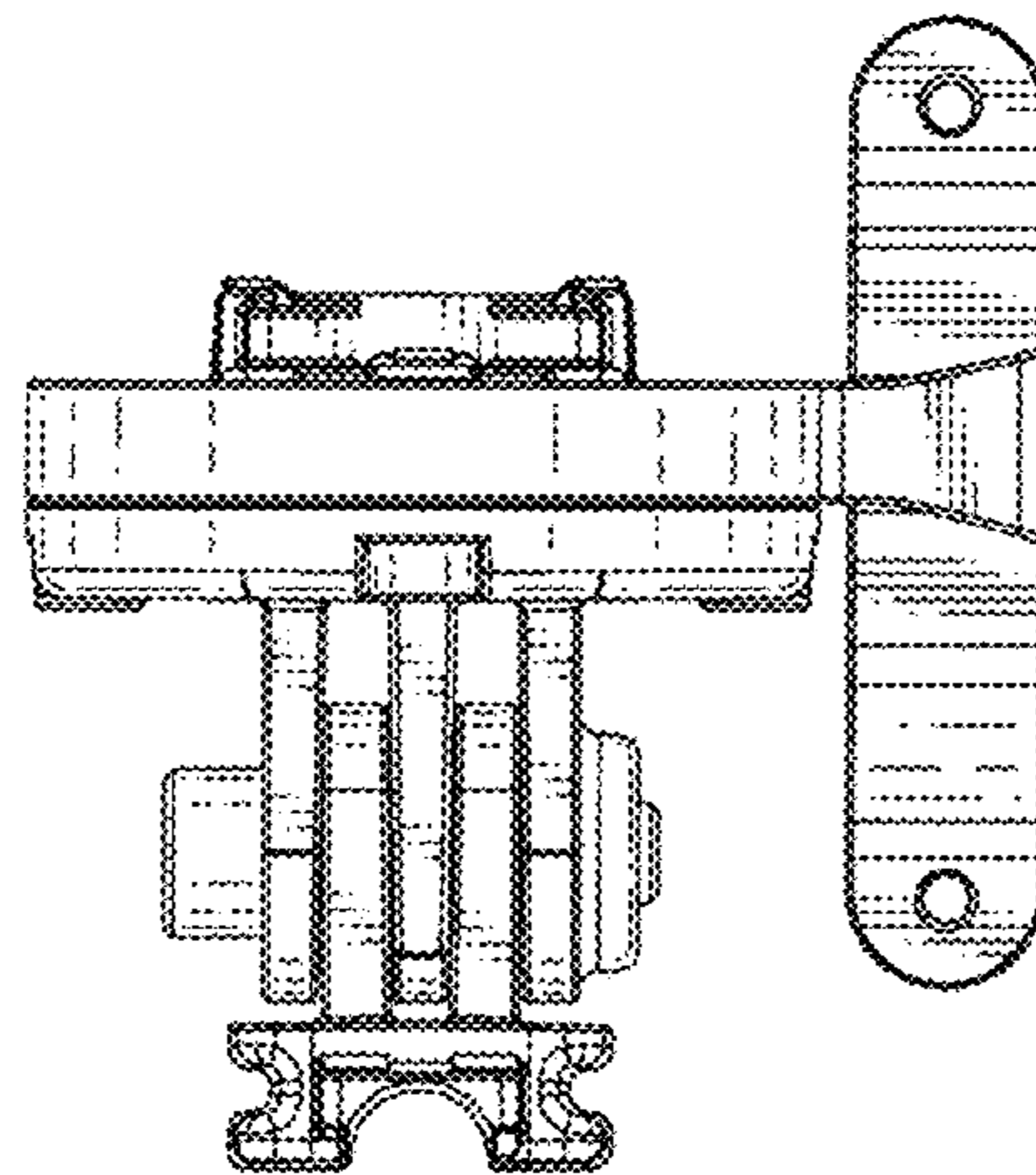


Fig. 5

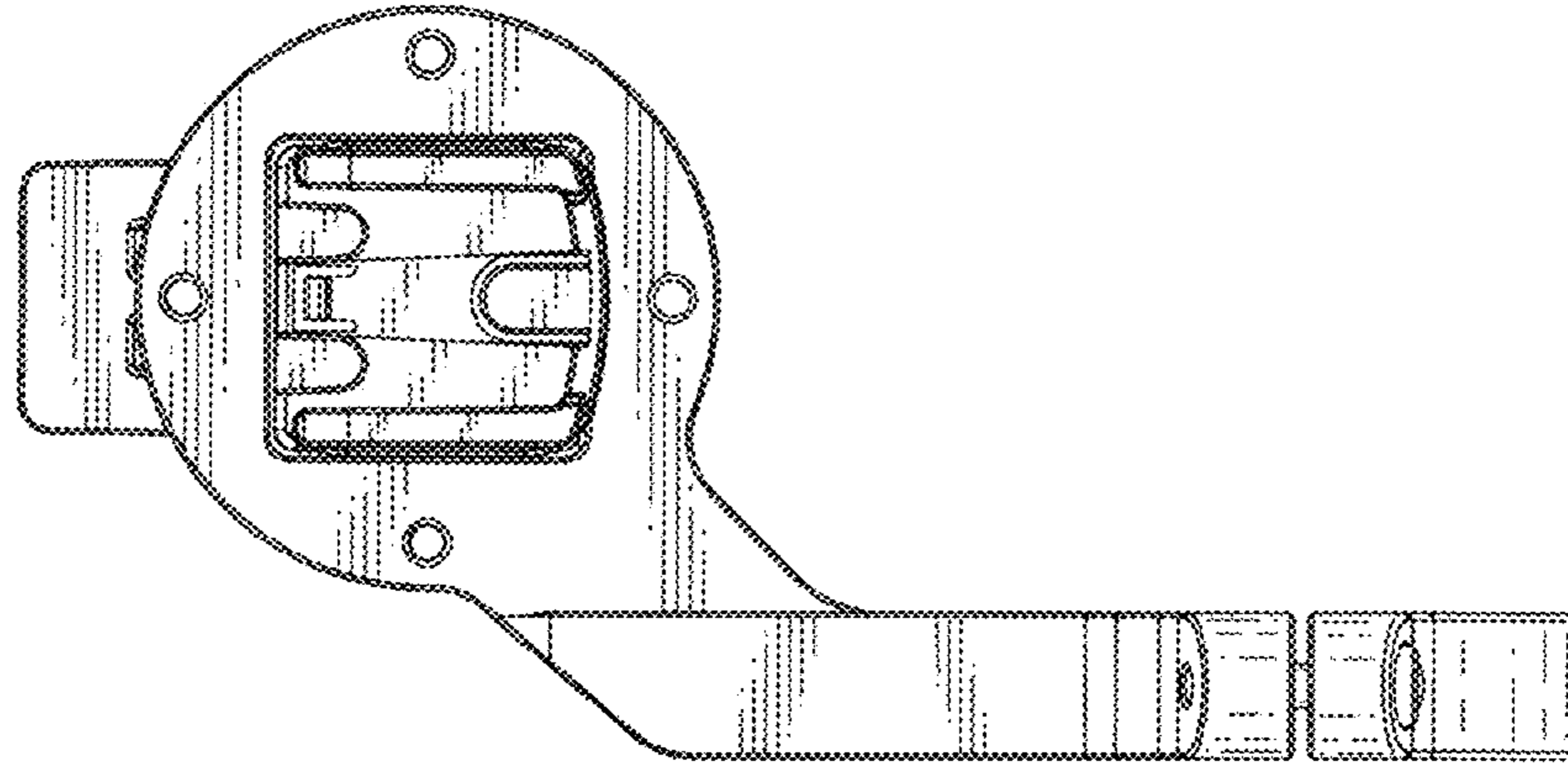


Fig. 6

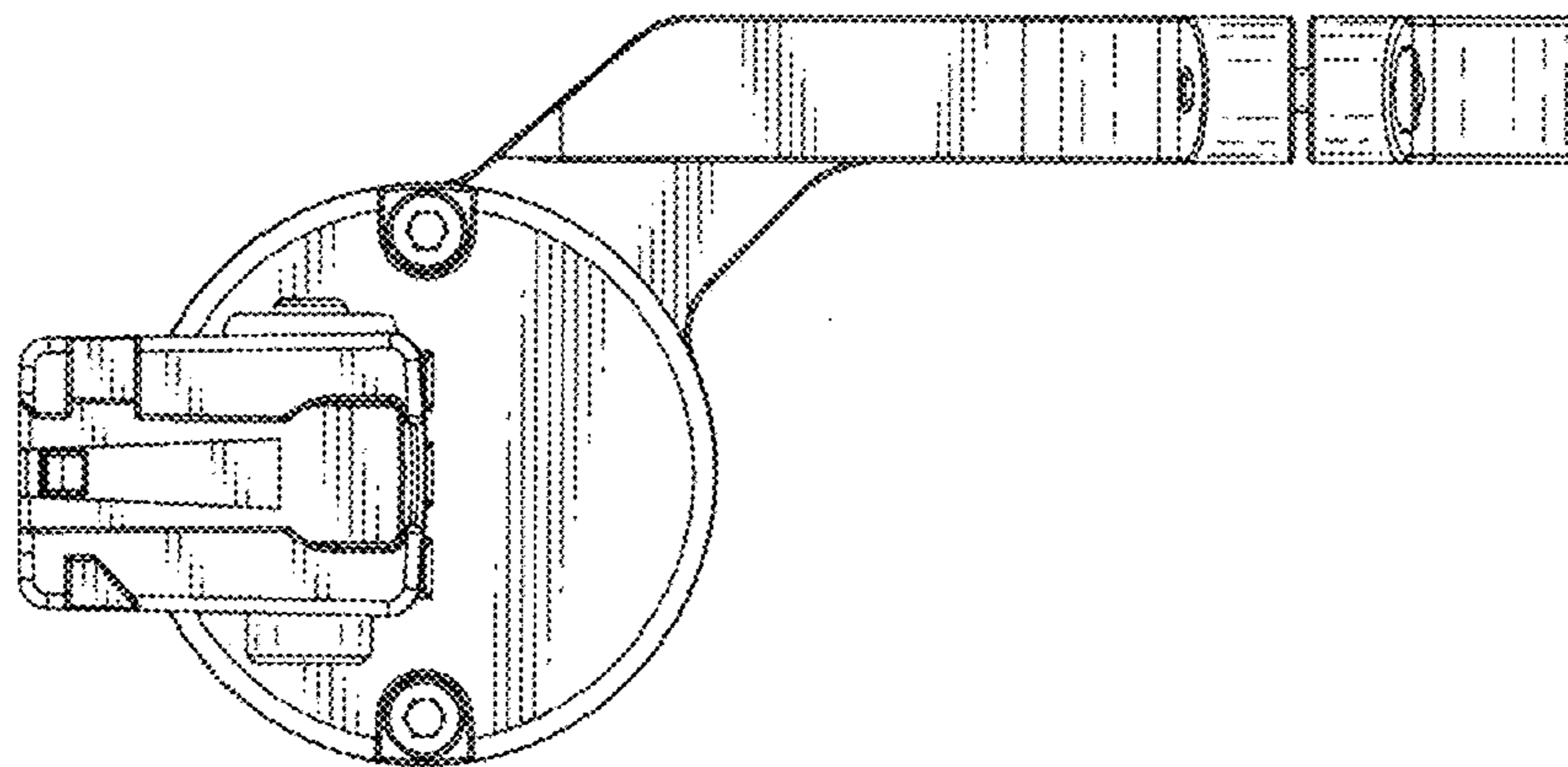


Fig. 7