



US00D873719S

(12) **United States Design Patent**
Maiorana

(10) **Patent No.:** **US D873,719 S**
(45) **Date of Patent:** **** Jan. 28, 2020**

- (54) **AERODYNAMIC DEVICE AND TANK TRAILER**
- (71) Applicant: **MAC LTT, INC.**, Kent, OH (US)
- (72) Inventor: **James A. Maiorana**, Hartville, OH (US)
- (73) Assignee: **MAC LTT, Inc.**, Kent, OH (US)
- (**) Term: **15 Years**
- (21) Appl. No.: **29/607,602**
- (22) Filed: **Jun. 14, 2017**
- (51) **LOC (12) Cl.** **12-08**
- (52) **U.S. Cl.**
USPC **D12/95**
- (58) **Field of Classification Search**
USPC D12/1, 101, 102, 103, 104, 105, 106,
D12/111, 112, 86, 88, 90, 91, 92, 93, 95,
D12/96, 99
CPC B62D 35/001; B62D 35/008; B62D 35/02;
B60P 3/221; B60P 3/1033; B60P 3/2205;
B60P 3/24
See application file for complete search history.

(56) **References Cited**

U.S. PATENT DOCUMENTS

3,000,340	A *	9/1961	Rackel	B60P 3/24	228/173.6
3,612,555	A *	10/1971	Baker	B60P 3/2205	114/344
4,640,541	A	2/1987	FitzGerald et al.			
D292,785	S *	11/1987	Warren	D12/101	
5,280,990	A	1/1994	Rinard			
D354,726	S *	1/1995	Fitzgerald	D12/181	
D510,057	S *	9/2005	Van Buuren	D12/101	
D542,716	S *	5/2007	Warren	B60P 3/1033	D12/101

7,748,772	B2	7/2010	Boivin et al.			
D649,090	S *	11/2011	Boivin	D12/106	
8,191,956	B1 *	6/2012	Dixon, Jr.	B62D 35/001	296/180.4
8,226,158	B1	7/2012	Jackson			
D668,582	S *	10/2012	Doron	D12/102	
8,845,008	B1	9/2014	Maiorana et al.			
9,656,699	B1 *	5/2017	Polgrean	B62D 35/001	
9,919,750	B2 *	3/2018	Baker	B62D 35/001	
2005/0161976	A1 *	7/2005	Ortega	B62D 35/001	296/180.4
2008/0303309	A1 *	12/2008	Dayton	B62D 35/001	296/180.1

(Continued)

Primary Examiner — Susan E Krakower

Assistant Examiner — Jerry Shiuan-Hua Hsu

(74) *Attorney, Agent, or Firm* — Sand, Sebolt & Wernow Co., LPA

(57) **CLAIM**

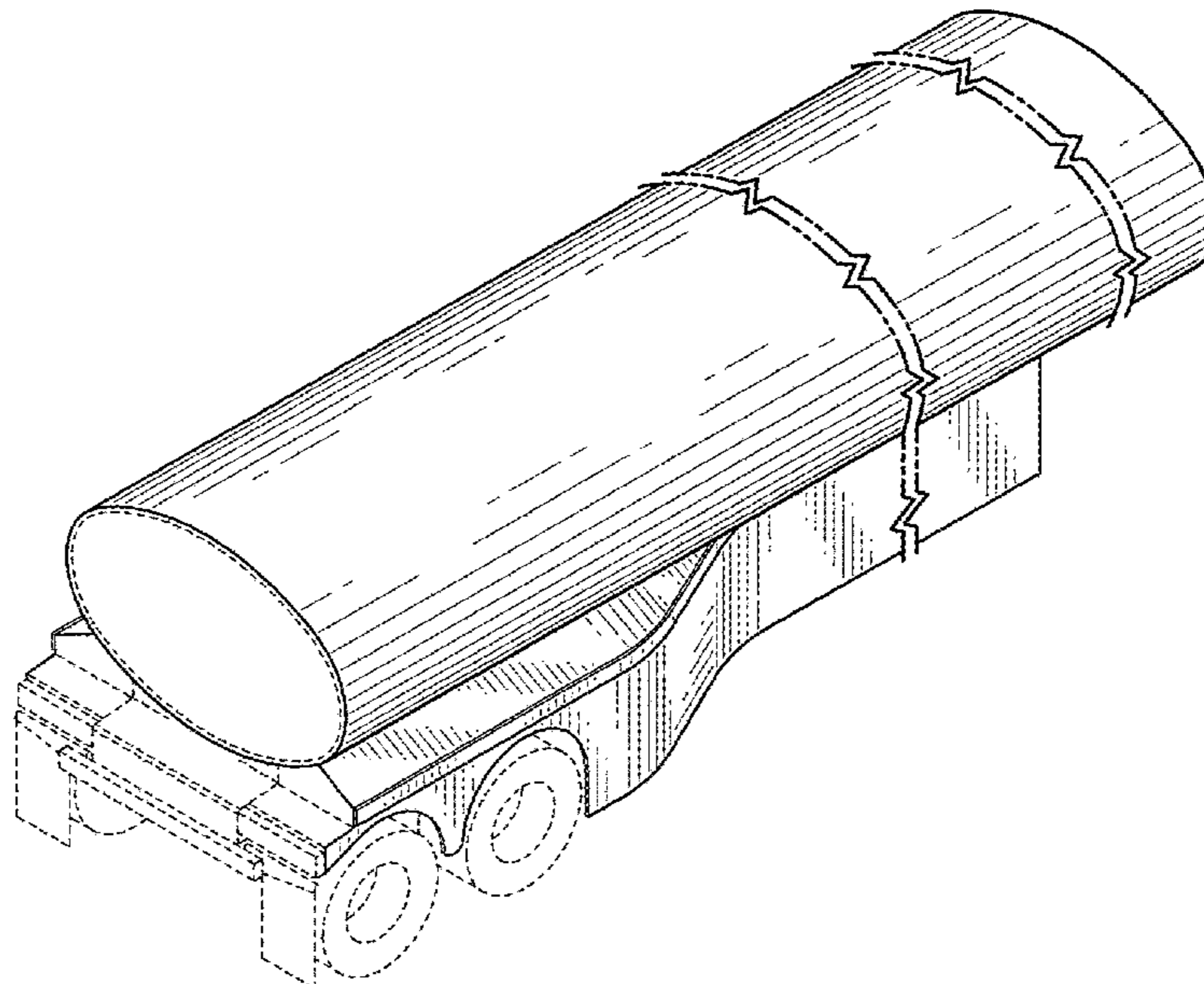
The ornamental design for an aerodynamic device and tank trailer, as shown and described.

DESCRIPTION

FIG. 1 is an isometric perspective view of an aerodynamic device for a tank trailer, showing my new design; FIG. 2 is a front elevation view thereof; FIG. 3 is a rear elevation view thereof; FIG. 4 is a left side elevation view thereof; FIG. 5 is a right side elevation view thereof; FIG. 6 is a top plan view thereof; and, FIG. 7 is a bottom plan view thereof.

The aerodynamic device for a tank trailer is shown with a symbolic break in its length. The appearance of any portion of the aerodynamic device for a tank trailer between the break lines forms no part of the claimed design. The broken lines illustrate portions of a tank trailer which form no part of the claimed design.

1 Claim, 6 Drawing Sheets



(56)

References Cited

U.S. PATENT DOCUMENTS

2008/0303311 A1* 12/2008 Roush B62D 35/001
296/180.4
2009/0189414 A1* 7/2009 Boivin B62D 35/001
296/180.4
2011/0148142 A1* 6/2011 Kint B62D 35/001
296/180.4
2011/0204677 A1* 8/2011 Wood B62D 35/001
296/180.1
2012/0091754 A1* 4/2012 Lee B62D 35/001
296/180.4
2013/0119701 A1* 5/2013 Dayton B62D 35/02
296/180.4
2013/0181477 A1* 7/2013 Reiman B62D 35/001
296/180.4
2013/0328298 A1* 12/2013 Thomas B60P 3/221
280/837
2016/0096558 A1* 4/2016 Bassily B62D 35/001
296/180.4
2016/0121940 A1* 5/2016 Courtney B62D 35/001
296/180.4
2017/0008576 A1* 1/2017 Petersson B62D 35/008
2017/0029044 A1 2/2017 Senatro
2017/0217506 A1 8/2017 Bezner
2018/0362100 A1* 12/2018 Maiorana B62D 35/001

* cited by examiner

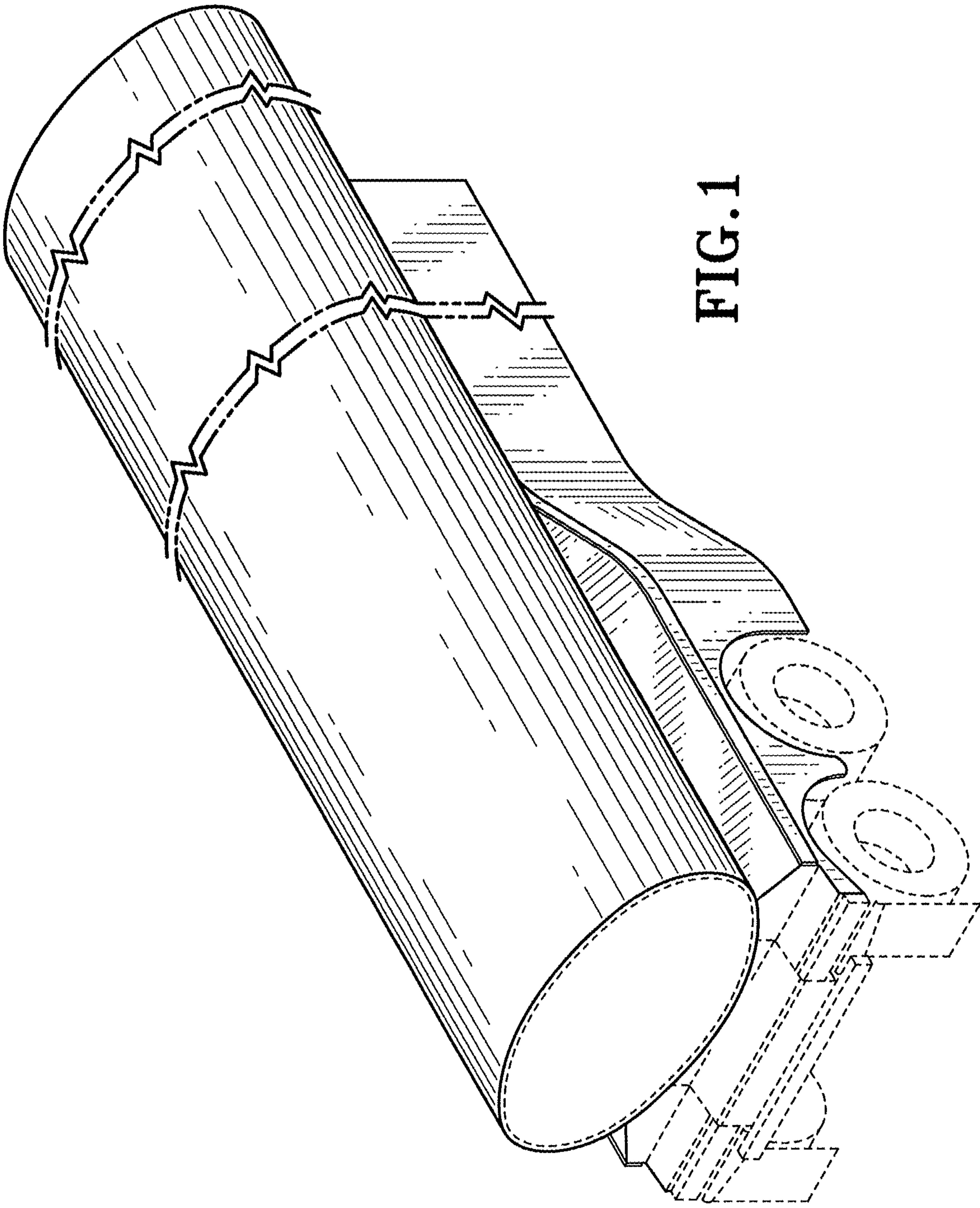


FIG. 1

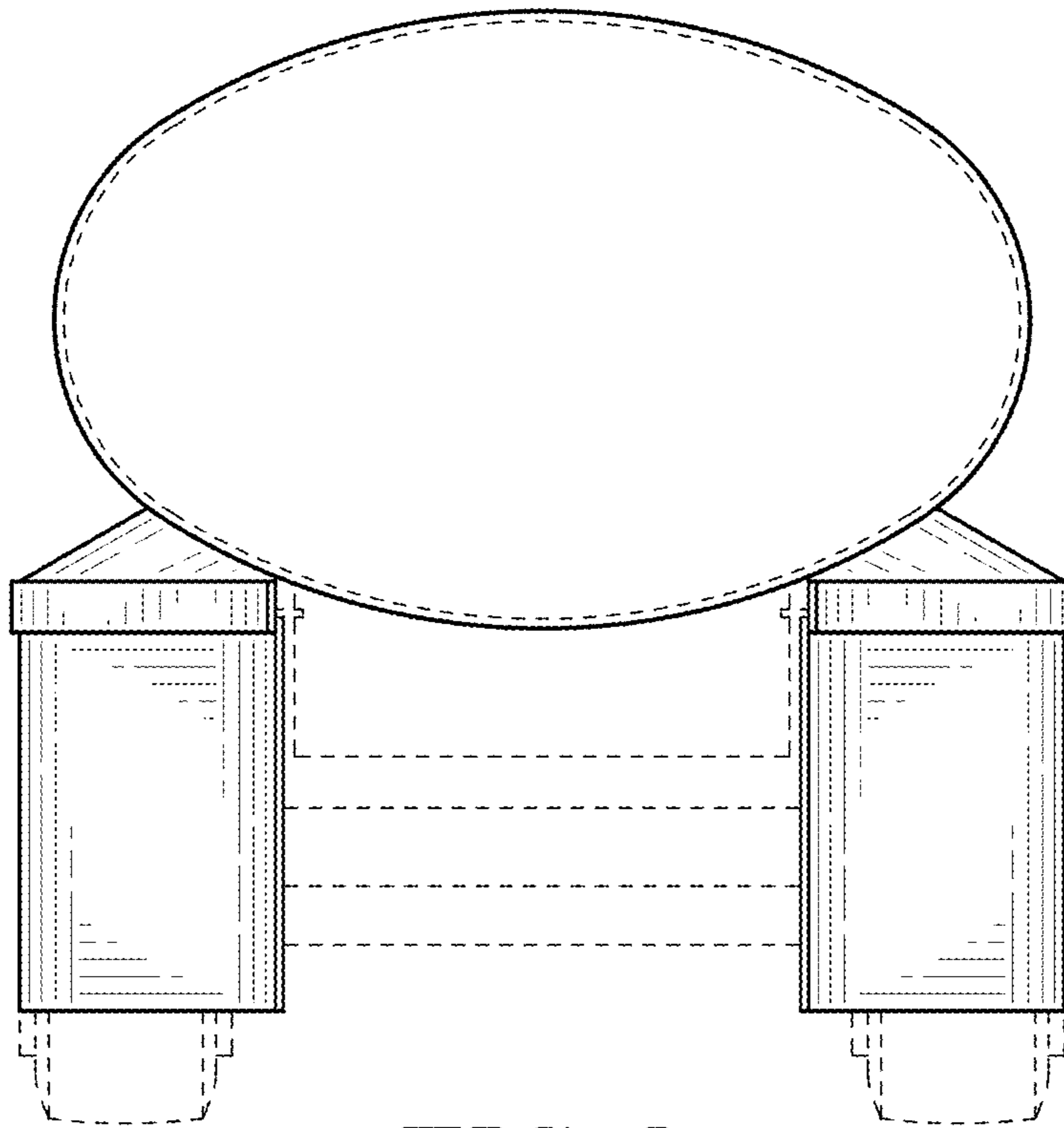


FIG. 2

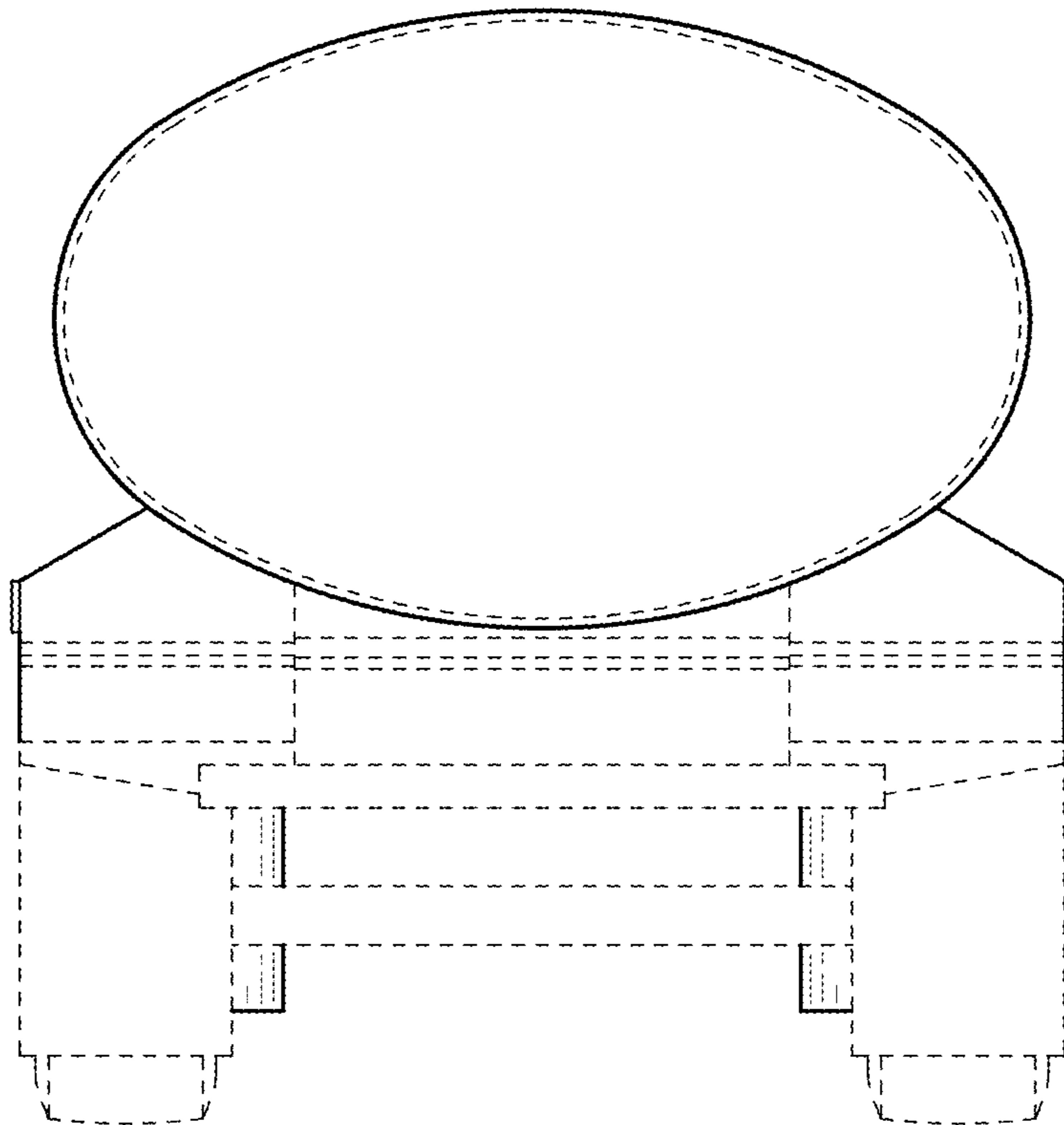


FIG. 3

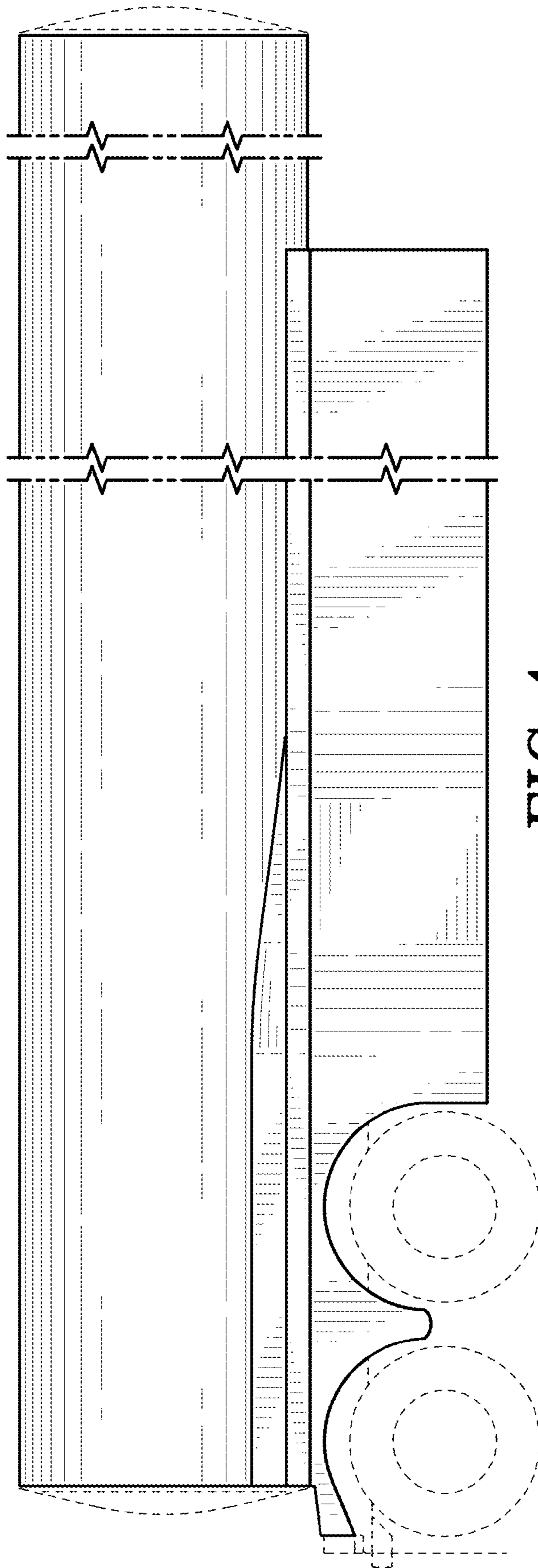


FIG. 4

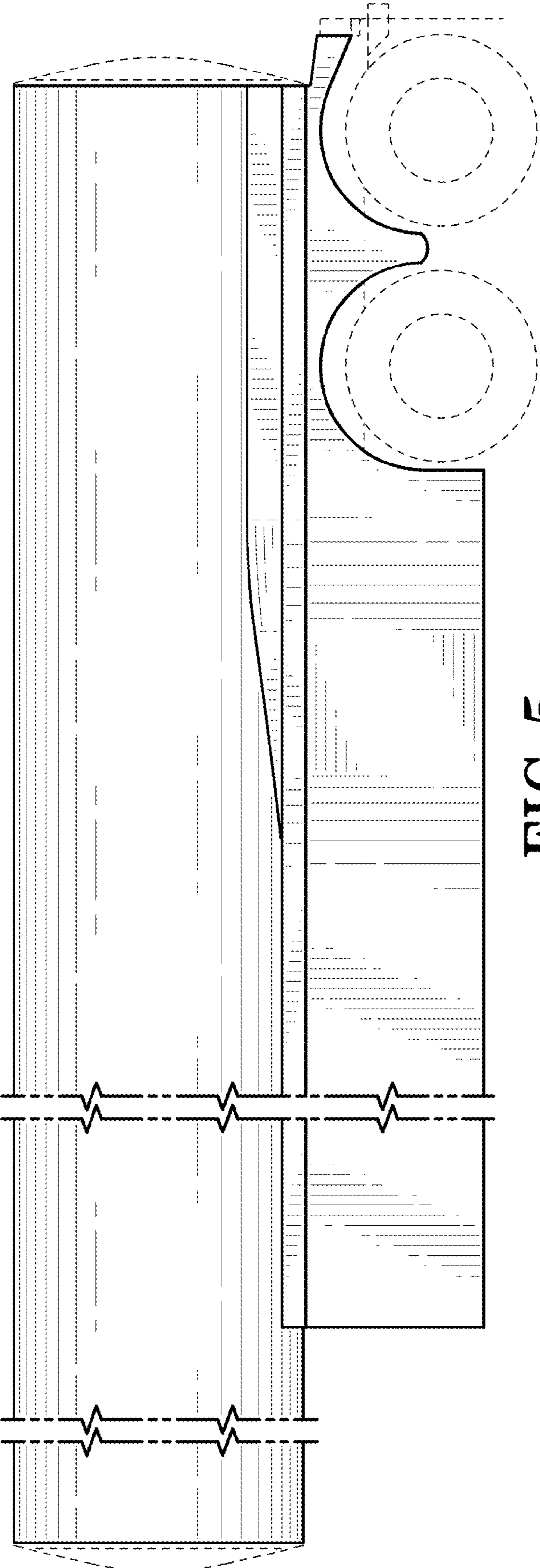


FIG. 5

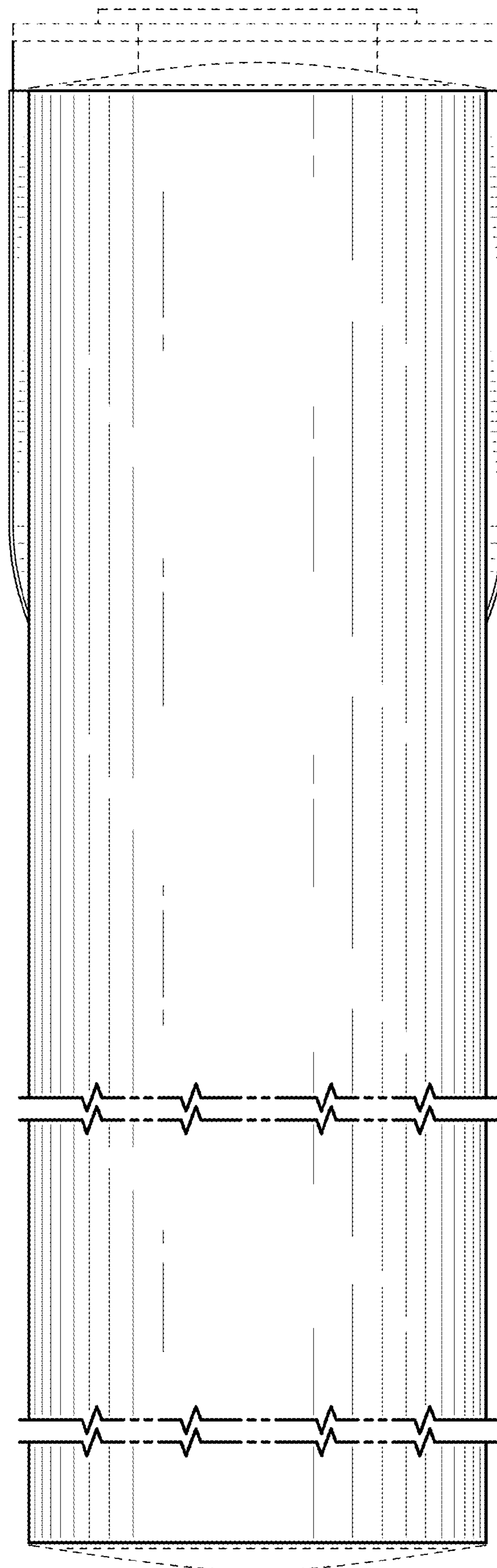


FIG. 6

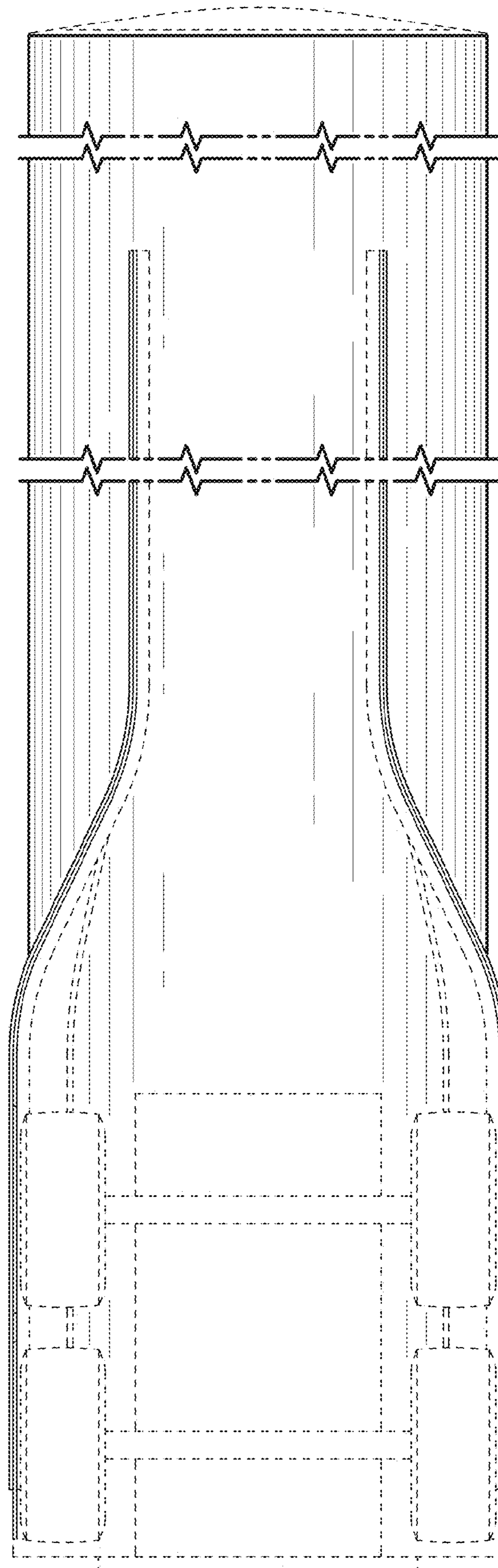


FIG. 7