



US00D873718S

(12) **United States Design Patent** (10) **Patent No.:** **US D873,718 S**
Sperling et al. (45) **Date of Patent:** **** Jan. 28, 2020**

(54) **MOTOR VEHICLE AND/OR TOY REPLICA THEREOF**

(71) Applicants: **Matthew Niven Sperling**, Huntington Beach, CA (US); **Takahiro Kanno**, Toyota (JP)

(72) Inventors: **Matthew Niven Sperling**, Huntington Beach, CA (US); **Takahiro Kanno**, Toyota (JP)

(73) Assignee: **TOYOTA JIDOSHA KABUSHIKI KAISHA** (JP)

(**) Term: **15 Years**

(21) Appl. No.: **29/663,499**

(22) Filed: **Sep. 17, 2018**

(51) **LOC (12) Cl.** **12-08**

(52) **U.S. Cl.**
USPC **D12/92**

(58) **Field of Classification Search**
USPC D12/86, 90-92, 88; D21/424, 433, 434;
296/181.1-181.5, 183.1
CPC B62D 25/00; B62D 25/06; B62D 33/00;
B62D 35/00

See application file for complete search history.

(56) **References Cited**

U.S. PATENT DOCUMENTS

D473,824 S *	4/2003	Mori	D12/92
D500,710 S *	1/2005	Saito	D12/92
D620,985 S *	8/2010	Mochizuki	D12/92
D640,603 S *	6/2011	Ham	D12/92
D679,221 S *	4/2013	Tomatsu	D12/92
D685,293 S *	7/2013	Badstuebner	D12/82
D700,870 S *	3/2014	Jevremovic	D12/92
D702,597 S *	4/2014	Wada	D12/92
D703,584 S *	4/2014	Futschik	D12/92

D715,192 S *	10/2014	Cho	D12/92
D715,193 S *	10/2014	Tada	D12/92
D720,654 S *	1/2015	Baek	D12/92
D733,621 S *	7/2015	Ikuma	D12/169
D748,021 S *	1/2016	Iwanaga	D12/169
D752,486 S *	3/2016	Sperling	D12/169
D758,921 S *	6/2016	Hatton	D12/92
D762,527 S *	8/2016	Willing	D12/92
D776,012 S *	1/2017	Sterner	D12/92
D803,733 S *	11/2017	Cartabiano	D12/164
D824,287 S *	7/2018	Cartabiano	D12/92
D825,389 S *	8/2018	Pi	D12/92
D839,787 S *	2/2019	Cartabiano	D12/92

OTHER PUBLICATIONS

NETCARSHOW, Toyota Corolla (2014), <<https://www.netcarshow.com/toyota/2014-corolla/>>, available as early as Apr. 1, 2014.

(Continued)

Primary Examiner — Melody N Brown

(74) *Attorney, Agent, or Firm* — Saidman DesignLaw Group, LLC

(57) **CLAIM**

The ornamental design for a motor vehicle and/or toy replica thereof, as shown and described.

DESCRIPTION

FIG. 1 is a left, front perspective view of a motor vehicle and/or toy replica thereof showing our new design; FIG. 2 is a left, rear perspective view thereof; FIG. 3 is a right, front perspective view thereof; FIG. 4 is a right, rear perspective view thereof; FIG. 5 is a left side view thereof; FIG. 6 is a right side view thereof; FIG. 7 is a front view thereof; FIG. 8 is a rear view thereof; and, FIG. 9 is a top view thereof.

1 Claim, 9 Drawing Sheets



(56)

References Cited

OTHER PUBLICATIONS

NETCARSHOW, Hyundai Elantra (2017), <<https://www.netcarshow.com/hyundai/2017-elantra/>>, available as early as Apr. 1, 2017.

NETCARSHOW, Honda Civic Sedan (2016), <https://www.netcarshow.com/honda/2016-civic_sedan/>, available as early as Apr. 1, 2016.

* cited by examiner

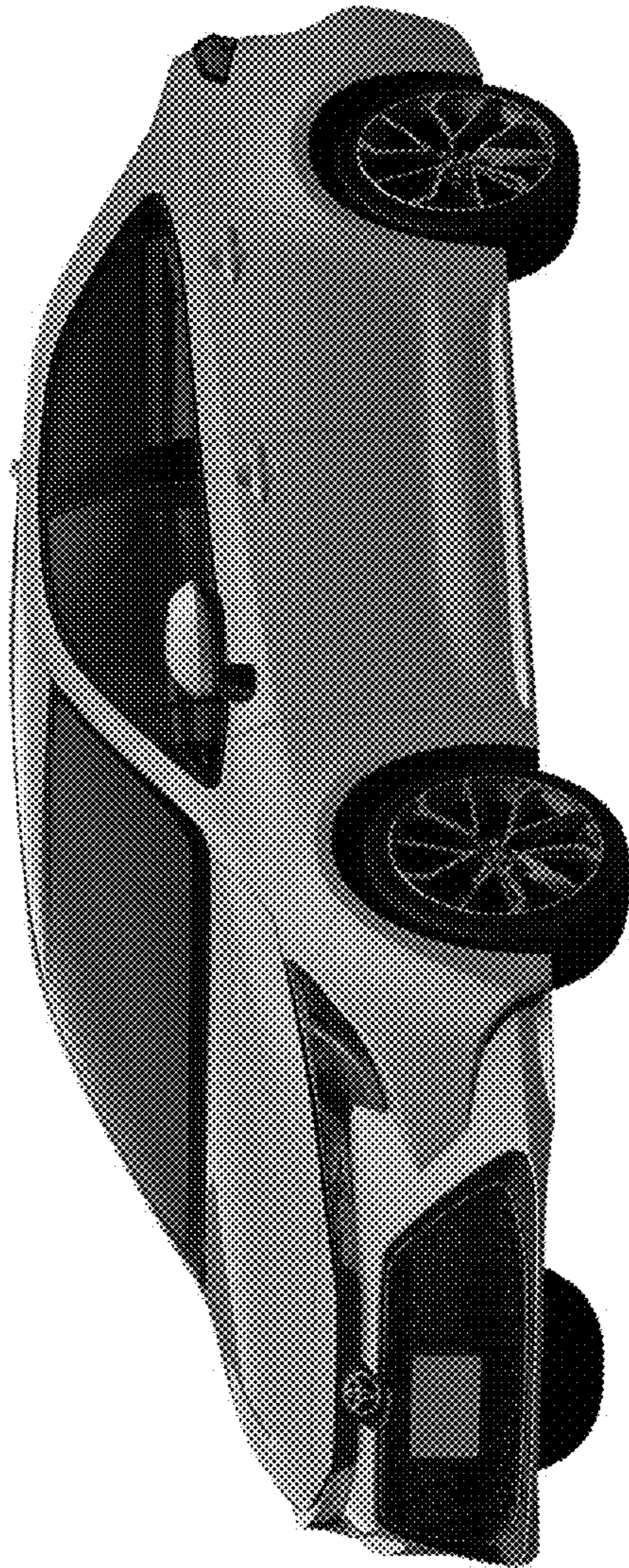


FIG. 1

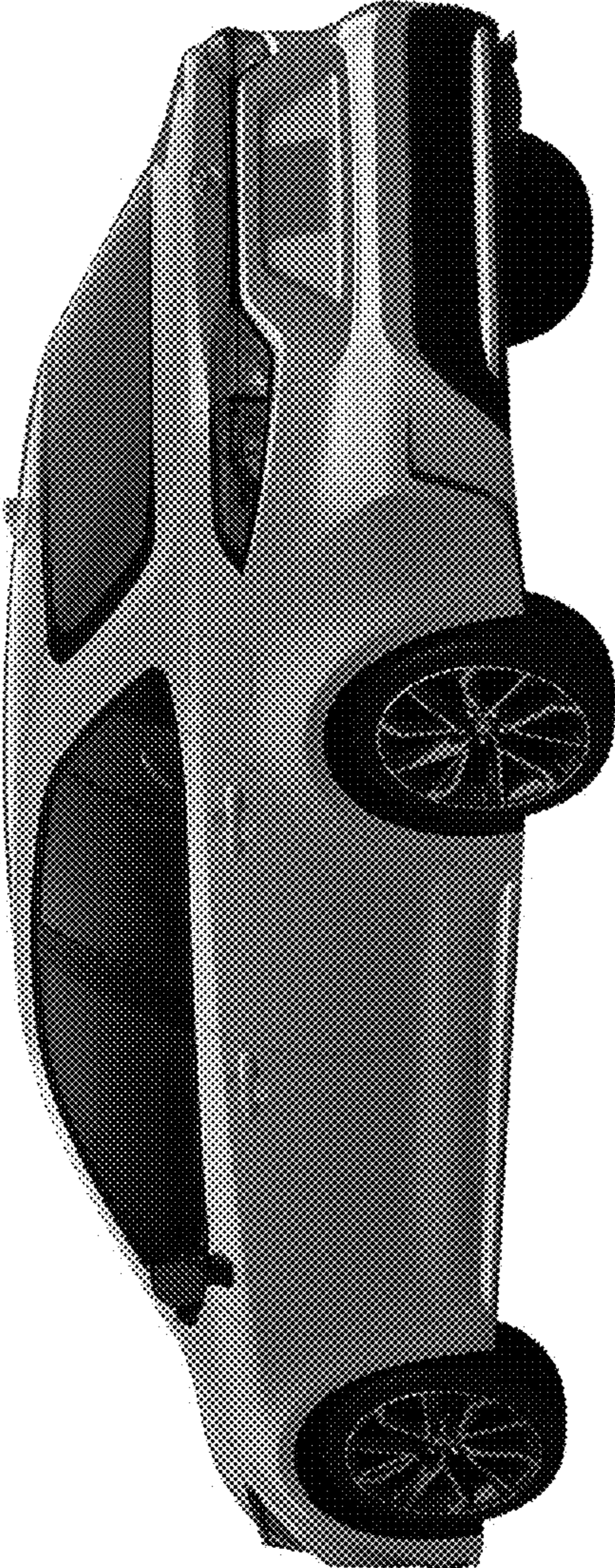


FIG. 2

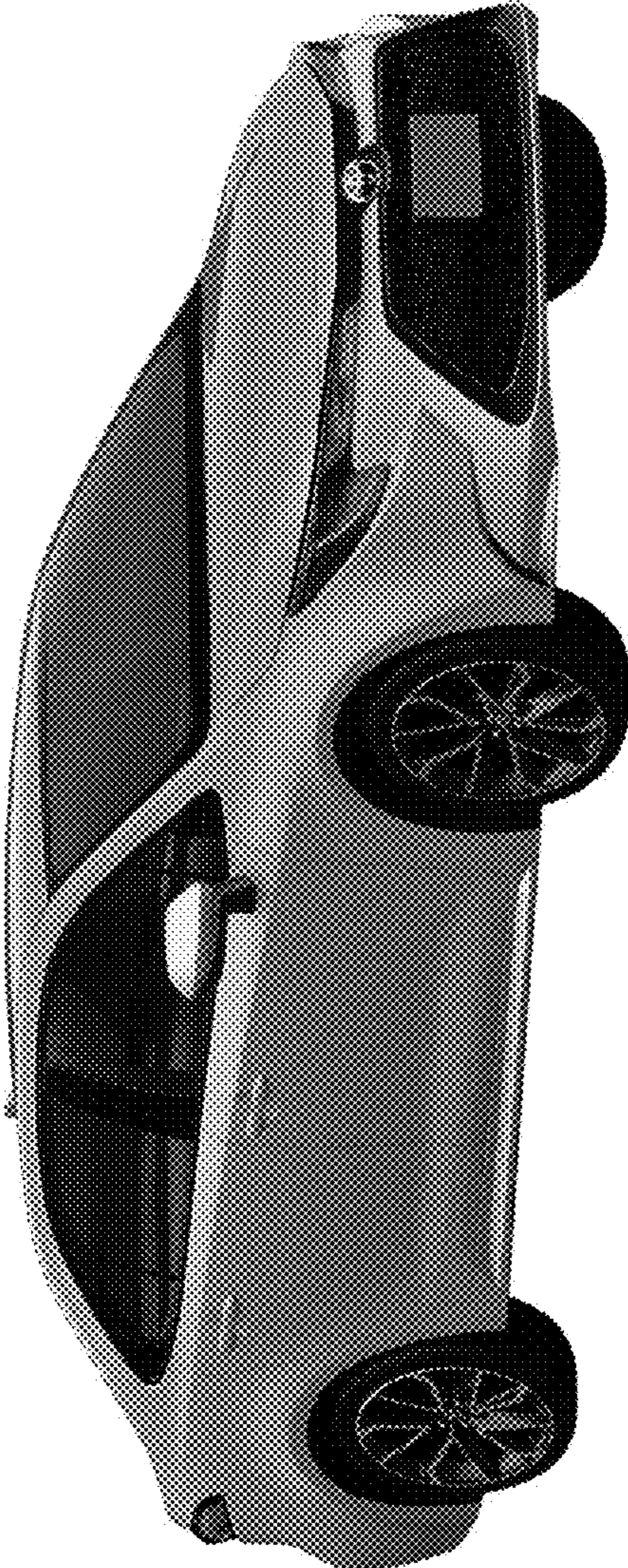


FIG. 3

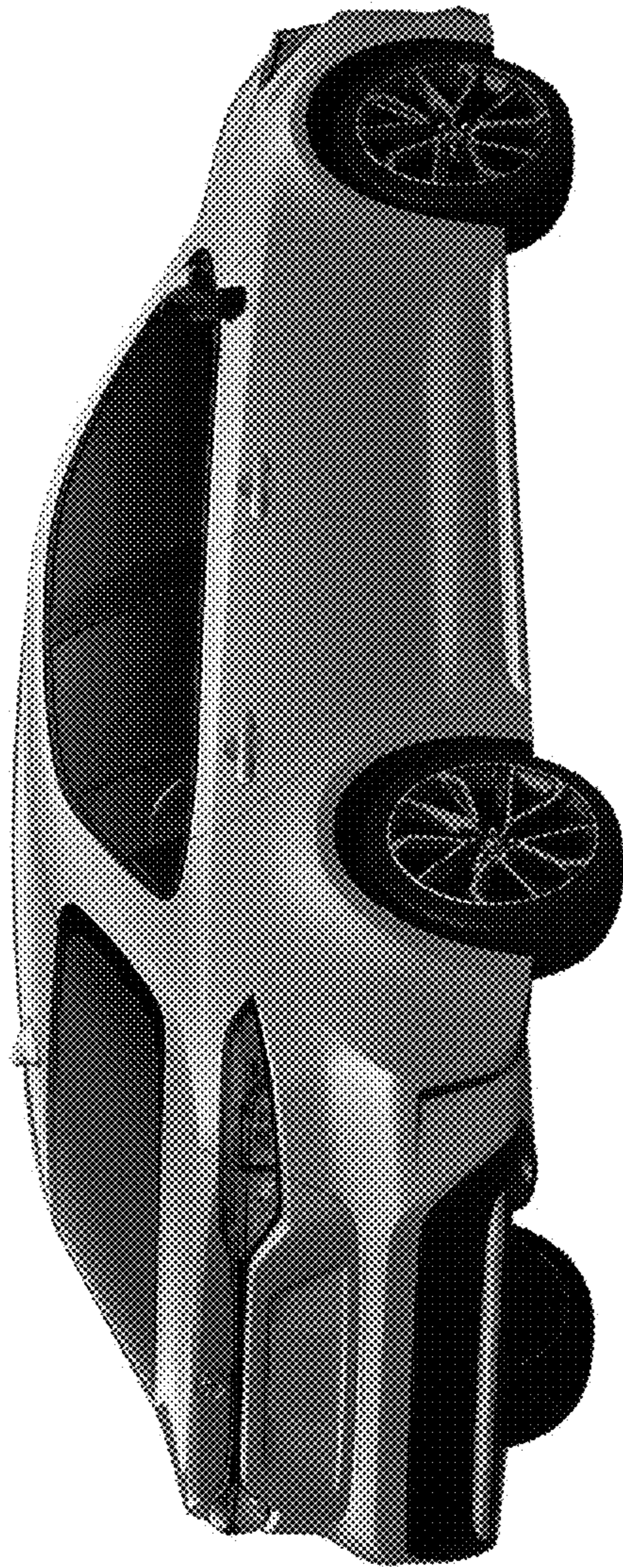


FIG. 4

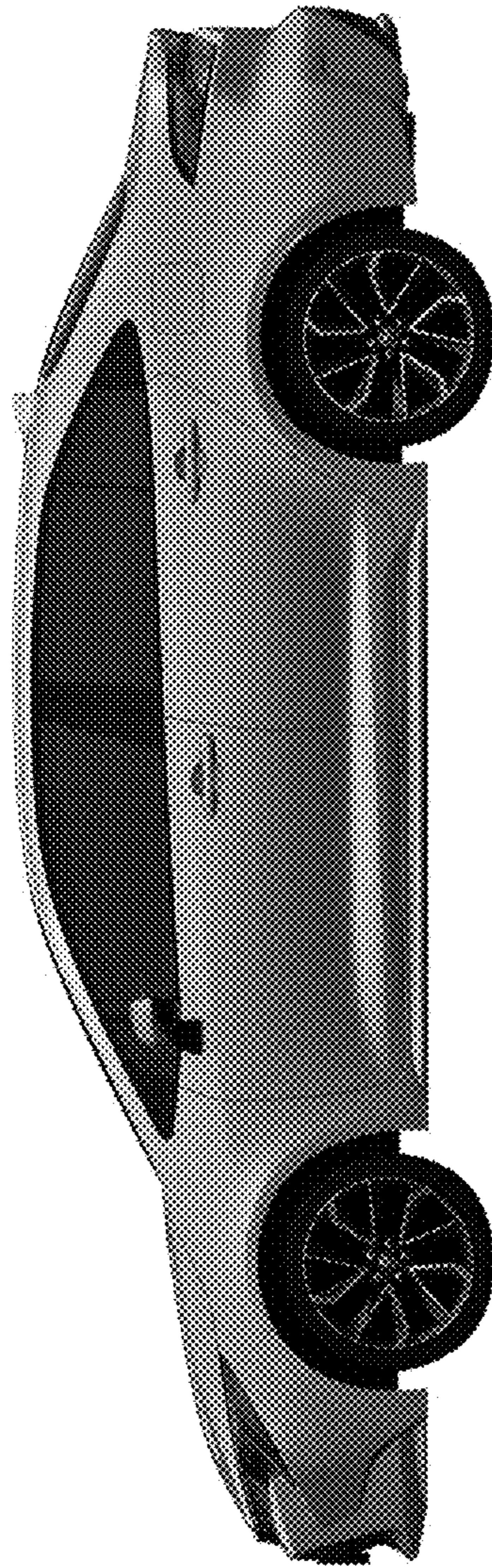


FIG. 5

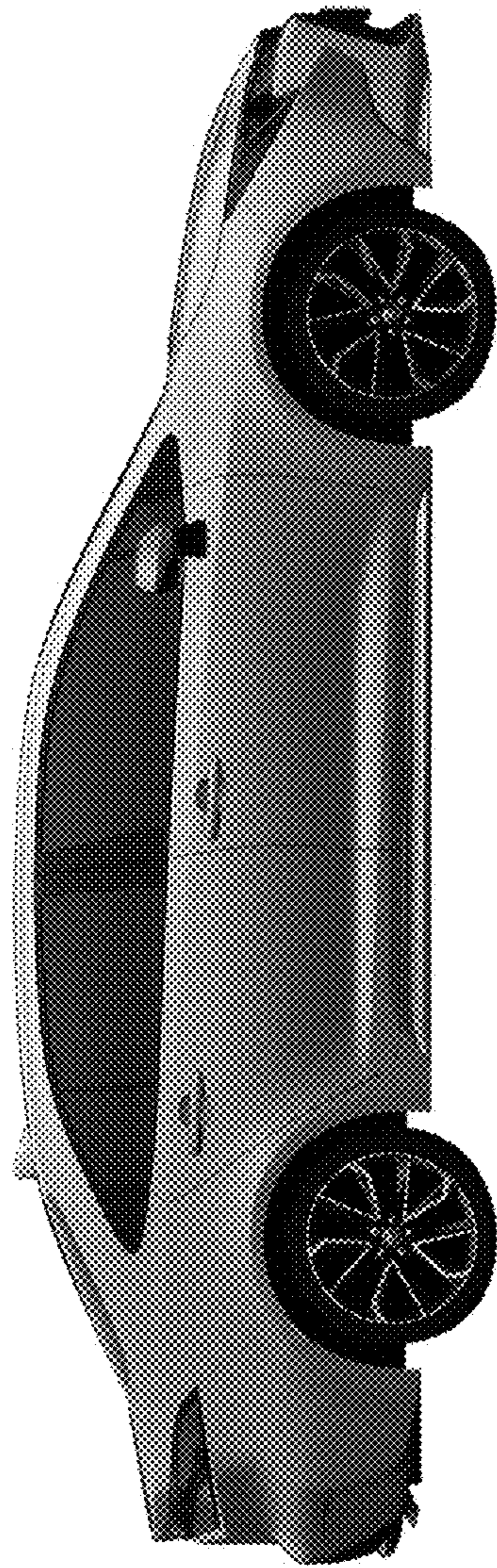


FIG. 6

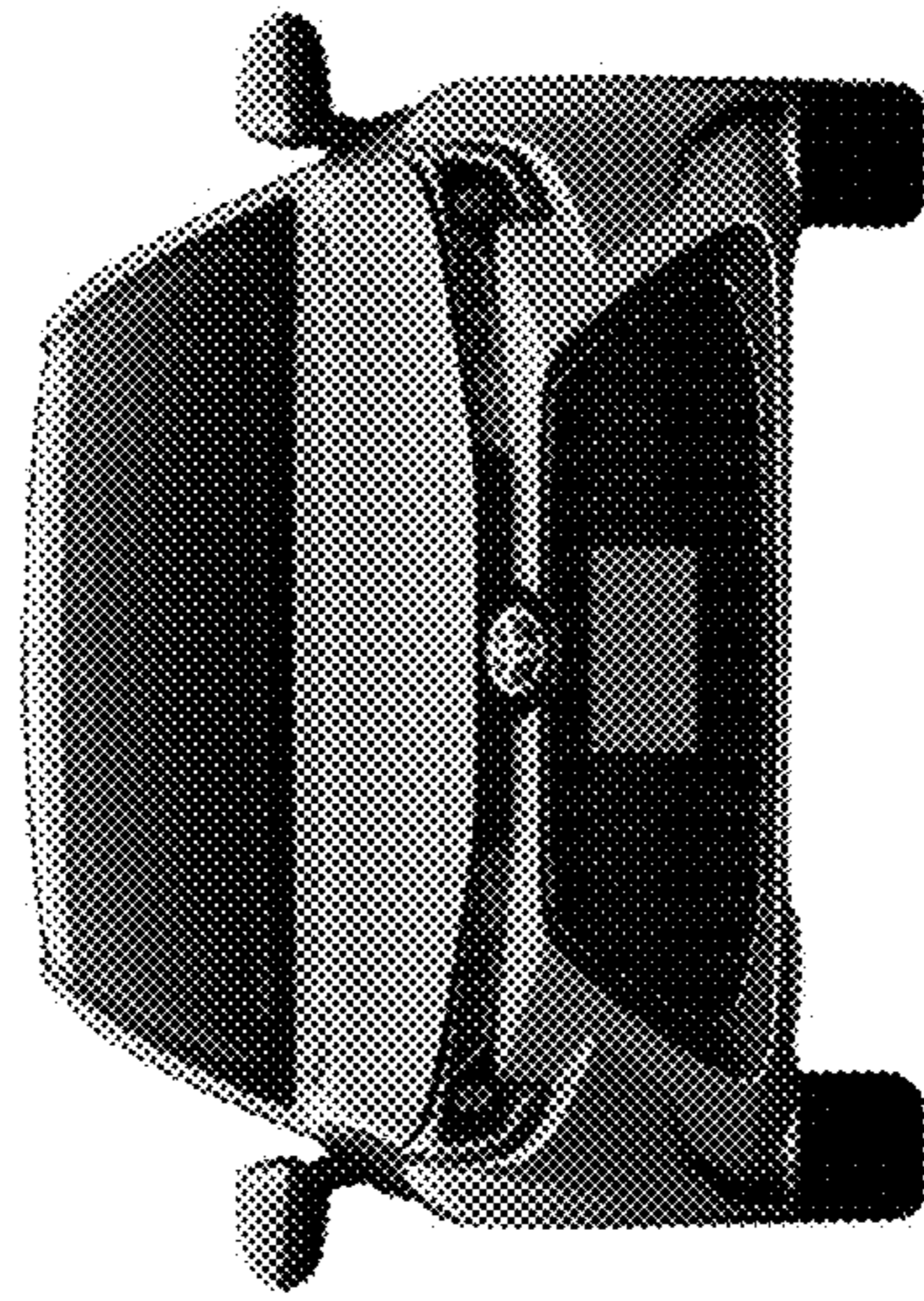


FIG. 7

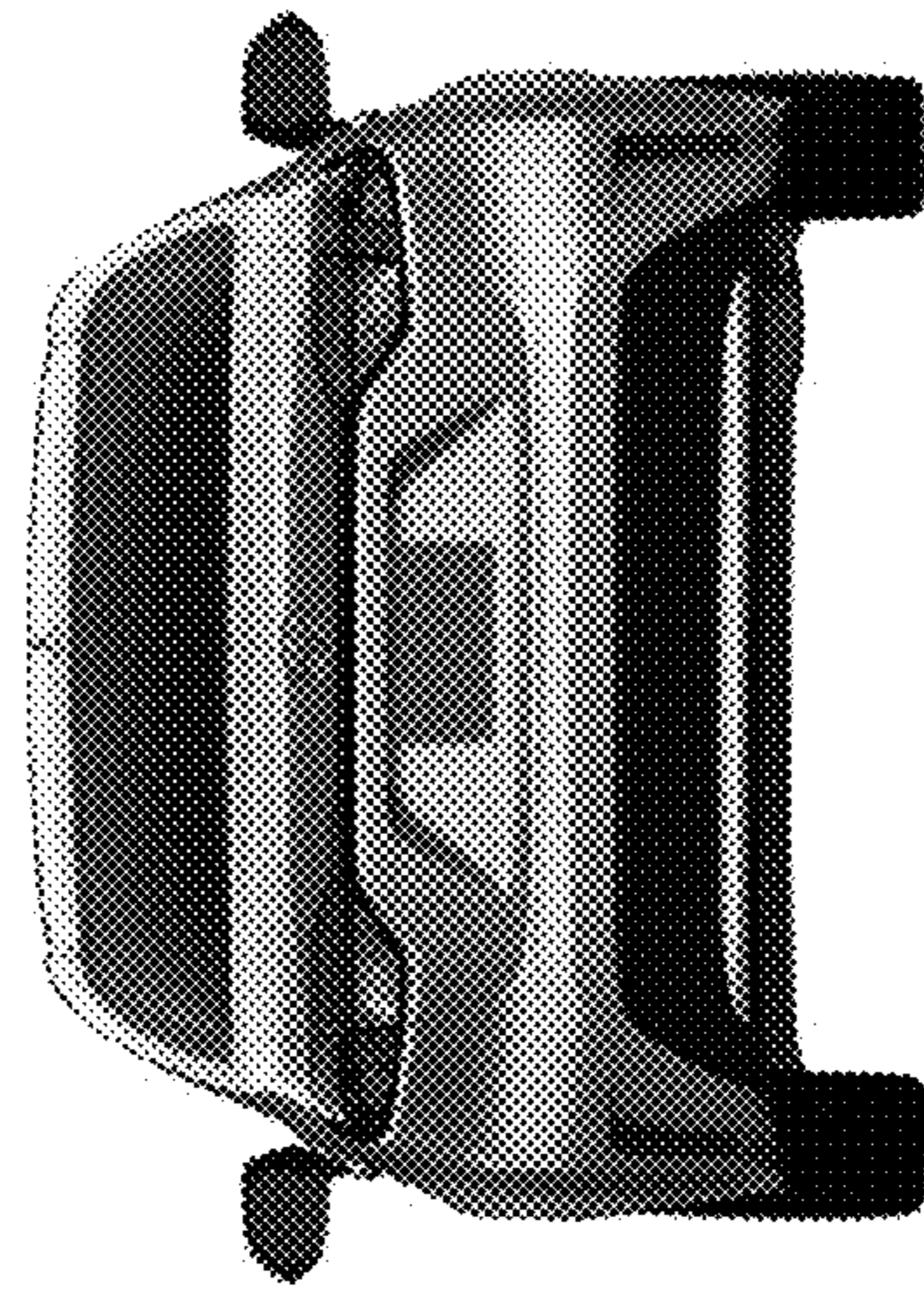


FIG. 8

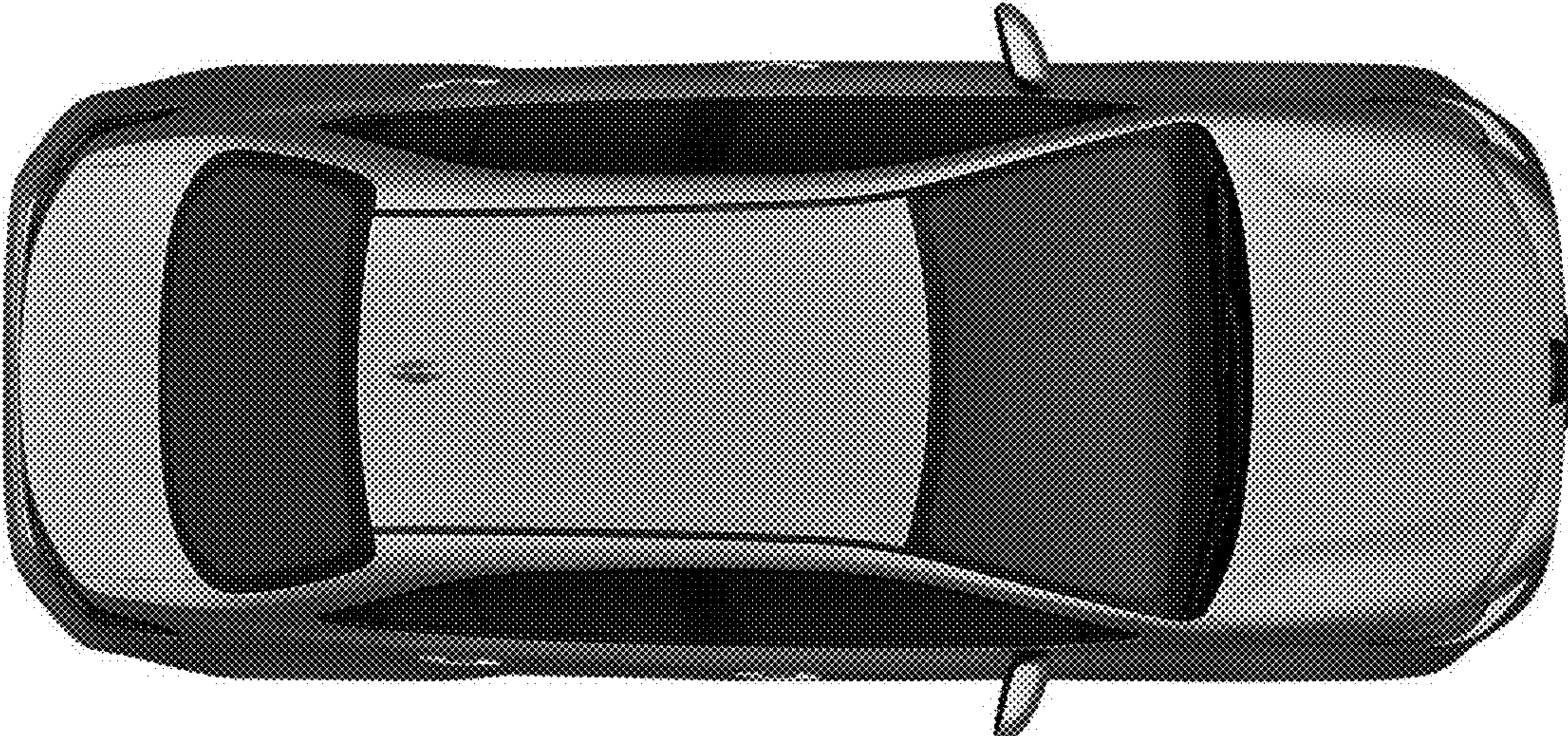


FIG. 9