



US00D873716S

(12) **United States Design Patent** (10) **Patent No.:** **US D873,716 S**
Badstuebner et al. (45) **Date of Patent:** **** Jan. 28, 2020**

(54) **VEHICLE, TOY, AND/OR REPLICAS THEREOF**

(71) Applicant: **Daimler AG**, Stuttgart (DE)

(72) Inventors: **Achim-Dietrich Badstuebner**, Munich (DE); **Robert Lesnik**, Leonberg (DE); **Volker Leutz**, Neckartailfingen (DE); **Thomas Saelzle**, Kornwestheim (DE)

(73) Assignee: **Daimler AG**, Stuttgart (DE)

(**) Term: **15 Years**

(21) Appl. No.: **29/670,792**

(22) Filed: **Nov. 20, 2018**

(30) **Foreign Application Priority Data**

May 22, 2018 (WO) DM/101404

(51) **LOC (12) Cl.** **12-08**

(52) **U.S. Cl.**
USPC **D12/91**

(58) **Field of Classification Search**
USPC D12/86, 90-92; D21/424, 433, 434, 533;
296/181.1-181.5, 183.1
CPC B62D 25/00; B62D 25/06; B62D 33/00;
B62D 35/00
See application file for complete search history.

(56) **References Cited**

U.S. PATENT DOCUMENTS

D615,464 S * 5/2010 Frei D12/164
D617,682 S * 6/2010 Frei D12/91

D643,348 S * 8/2011 Burki D12/164
D670,606 S * 11/2012 Frenzel D12/91
D670,621 S * 11/2012 Frenzel D12/164
D671,033 S * 11/2012 Fetherston D12/91
D699,163 S * 2/2014 Janssen D12/164
D704,602 S * 5/2014 Frenzel D12/164
D744,376 S * 12/2015 Futschik D12/91
D751,006 S * 3/2016 Futschik D12/164
D751,464 S * 3/2016 Frei D12/91
D751,471 S * 3/2016 Futschik D12/164
D827,497 S * 9/2018 Frei D12/91
D837,692 S * 1/2019 Badstuebner D12/91
D862,287 S * 10/2019 Badstuebner D12/91

* cited by examiner

Primary Examiner — Melody N Brown

(74) *Attorney, Agent, or Firm* — Crowell & Moring LLP

(57) **CLAIM**

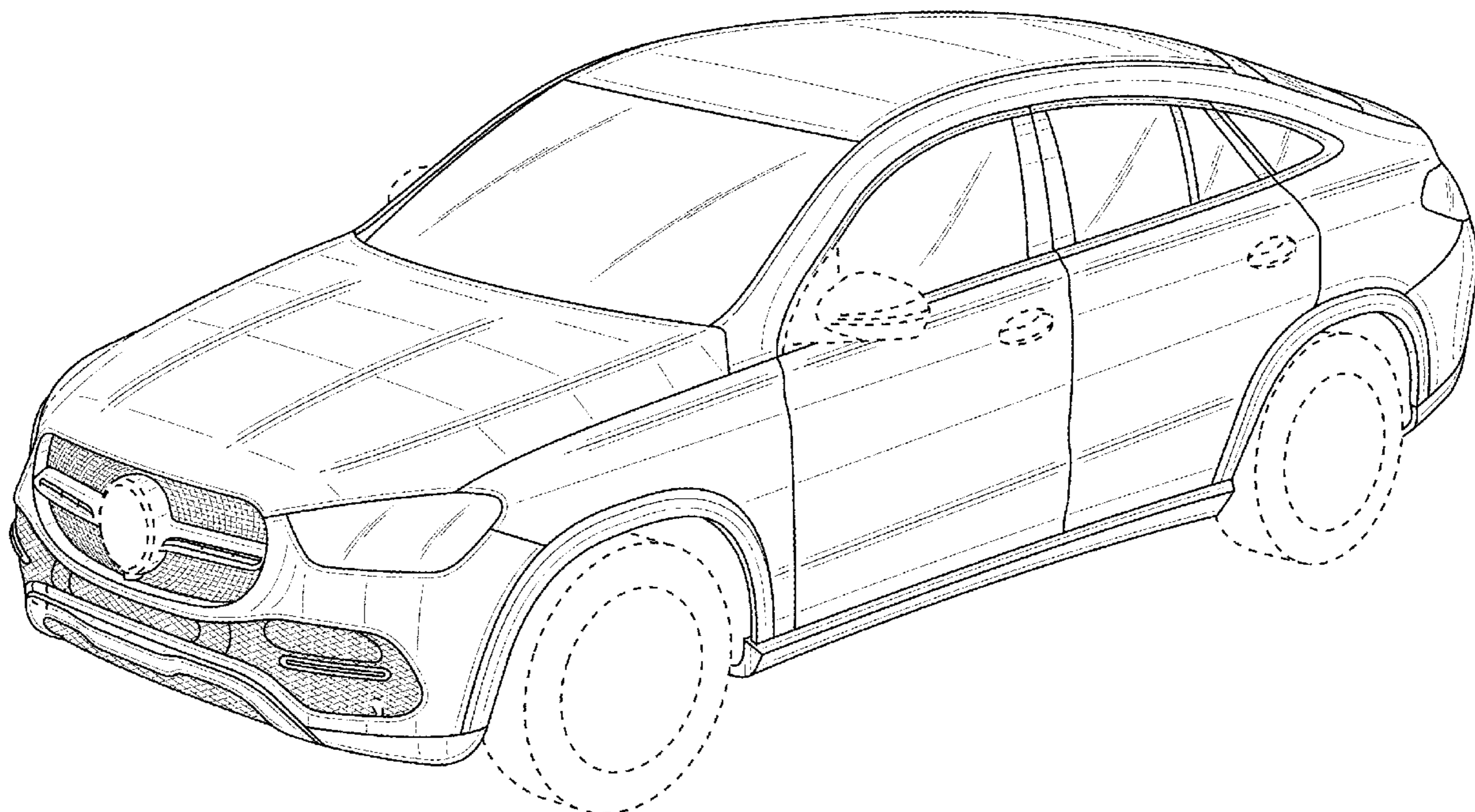
The ornamental design for a vehicle, toy, and/or replicas thereof, as shown and described.

DESCRIPTION

FIG. 1 is a left, front perspective view of a vehicle, toy, and/or replicas thereof according to the design;
FIG. 2 is a left, rear perspective view thereof;
FIG. 3 is a front view thereof;
FIG. 4 is a rear view thereof;
FIG. 5 is a right side view thereof;
FIG. 6 is a left side view thereof; and,
FIG. 7 is a top view thereof.

The broken lines in the drawings illustrate environmental subject matter only and form no part of the claimed design.

1 Claim, 7 Drawing Sheets



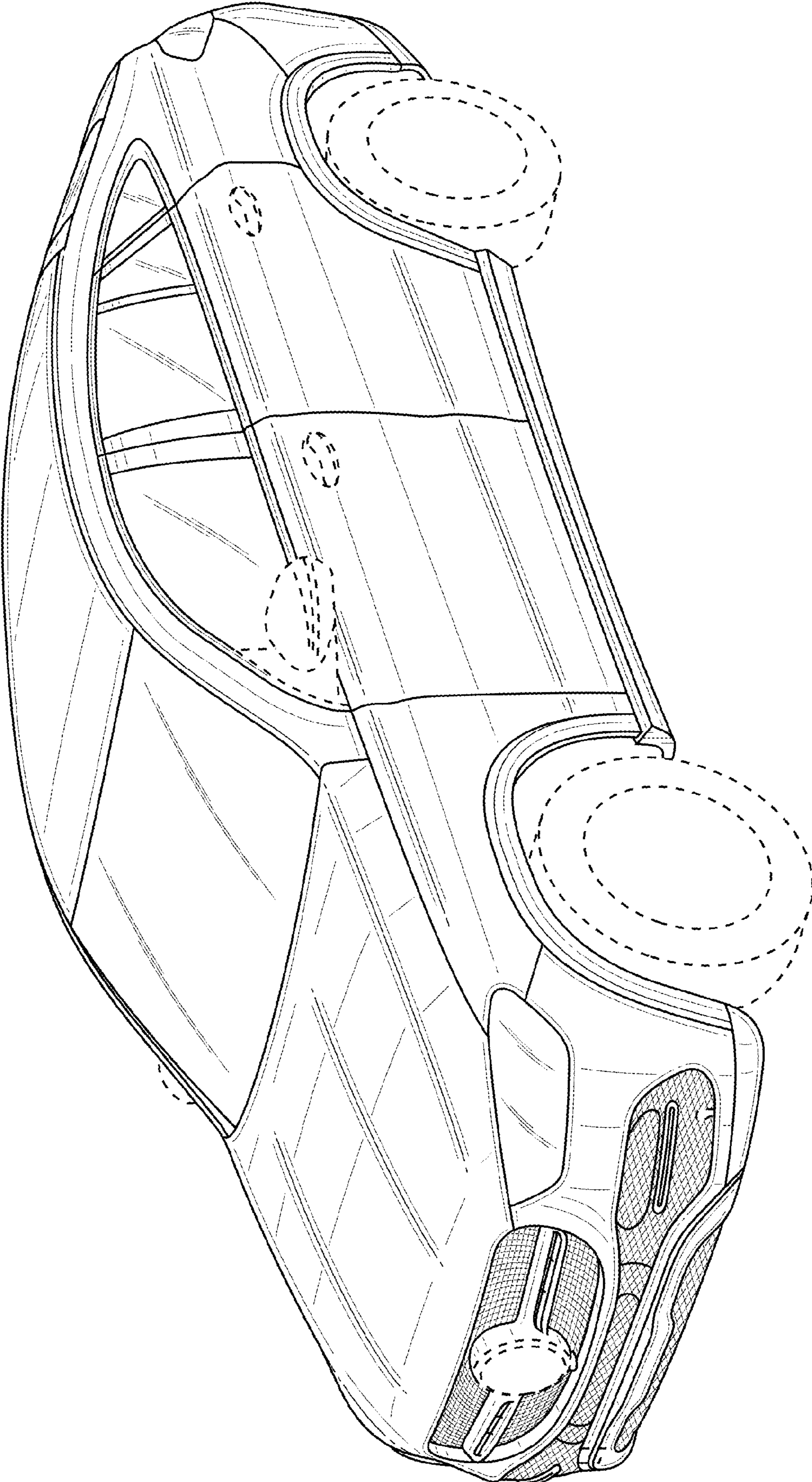


FIG. 1

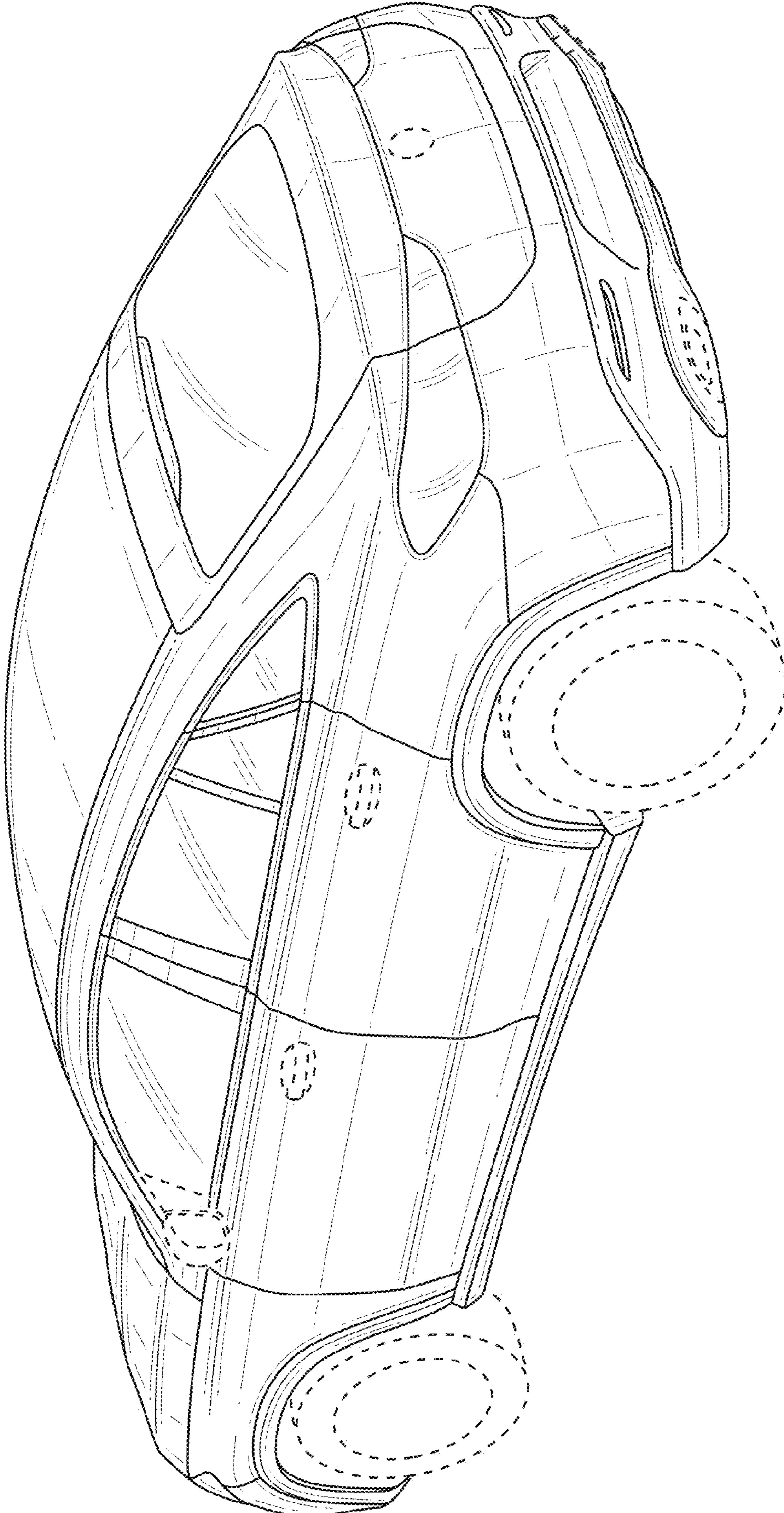


FIG. 2

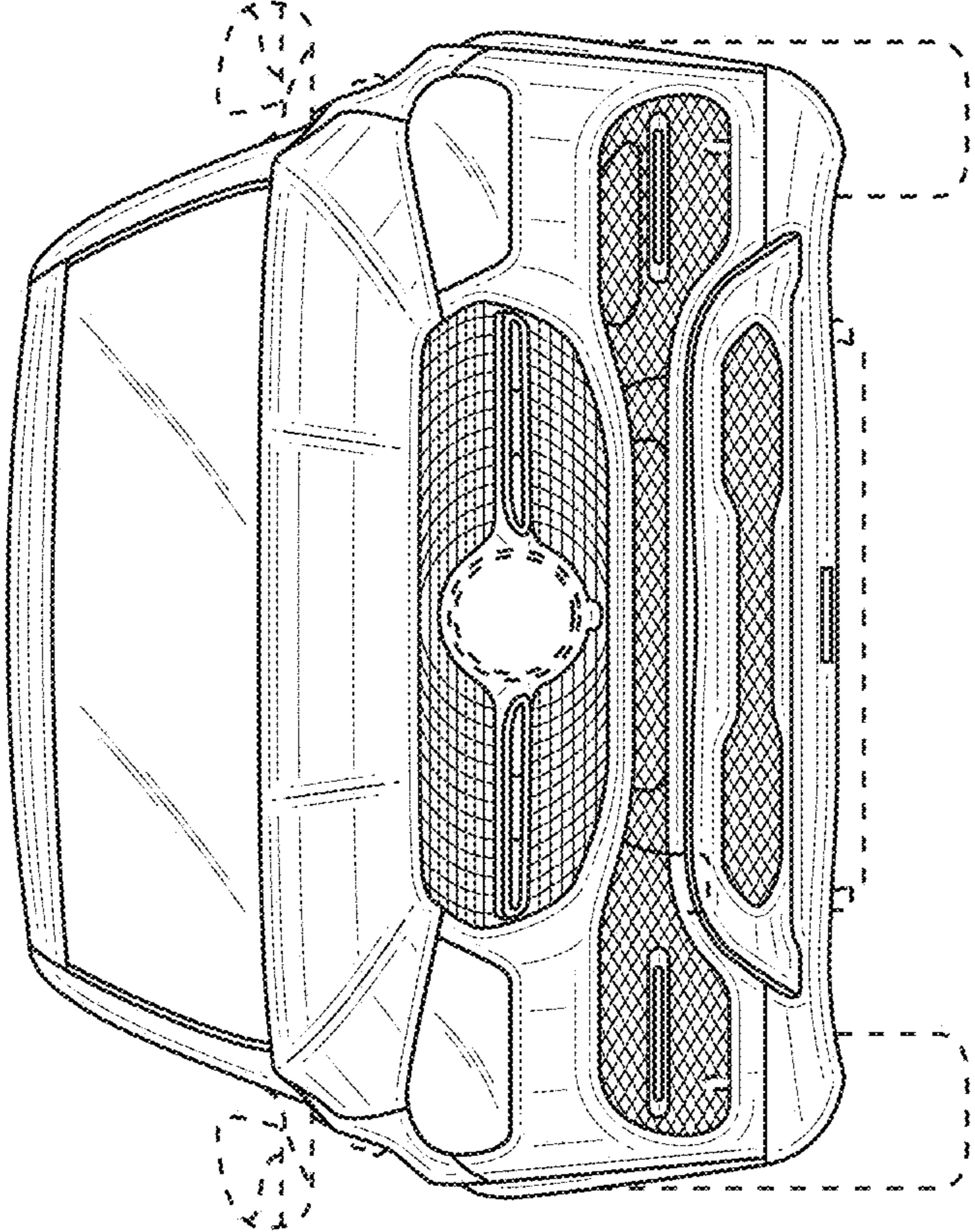


FIG. 3

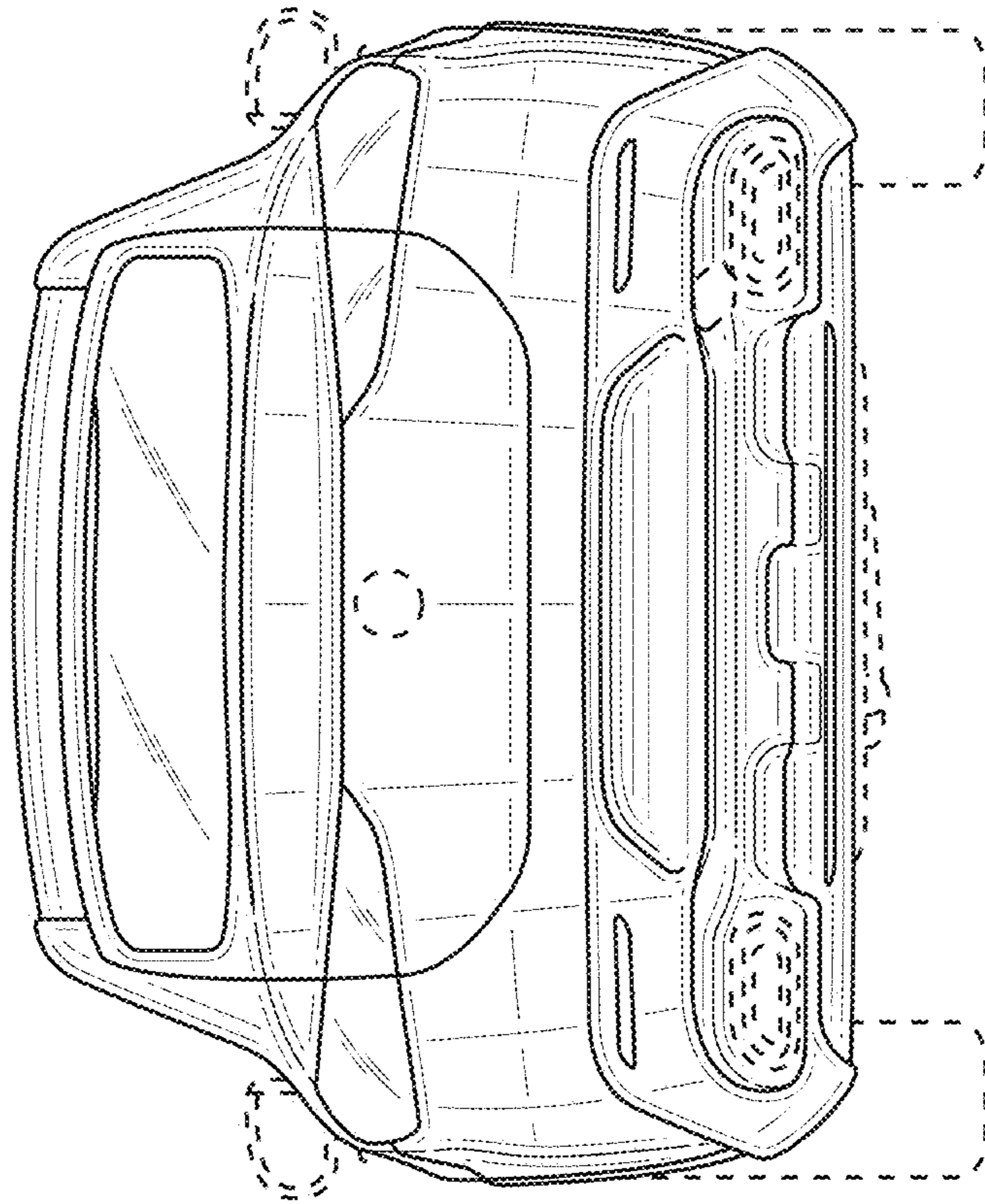


FIG. 4

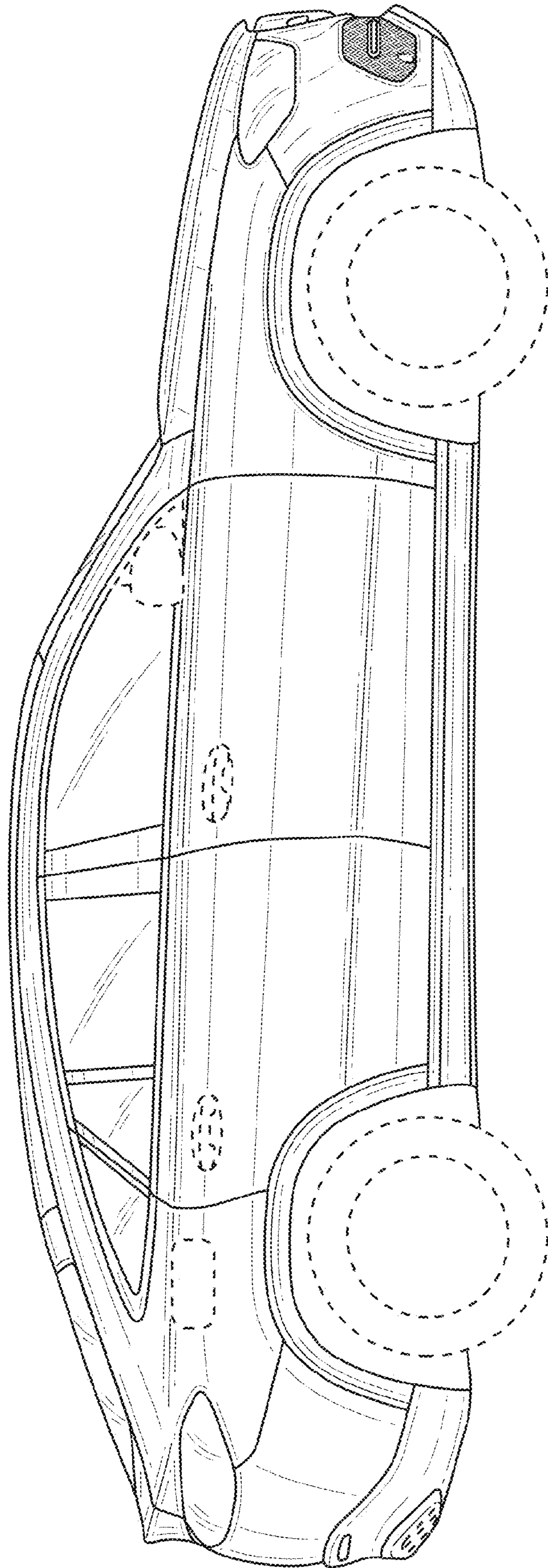


FIG. 5

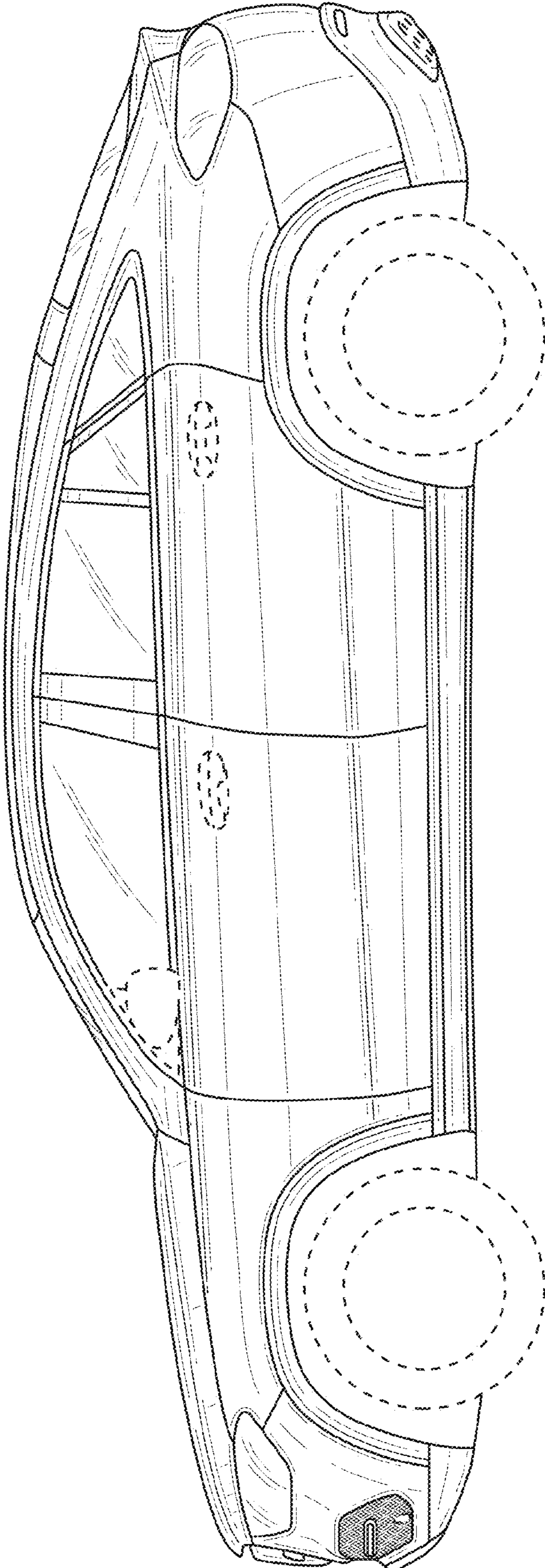


FIG. 6

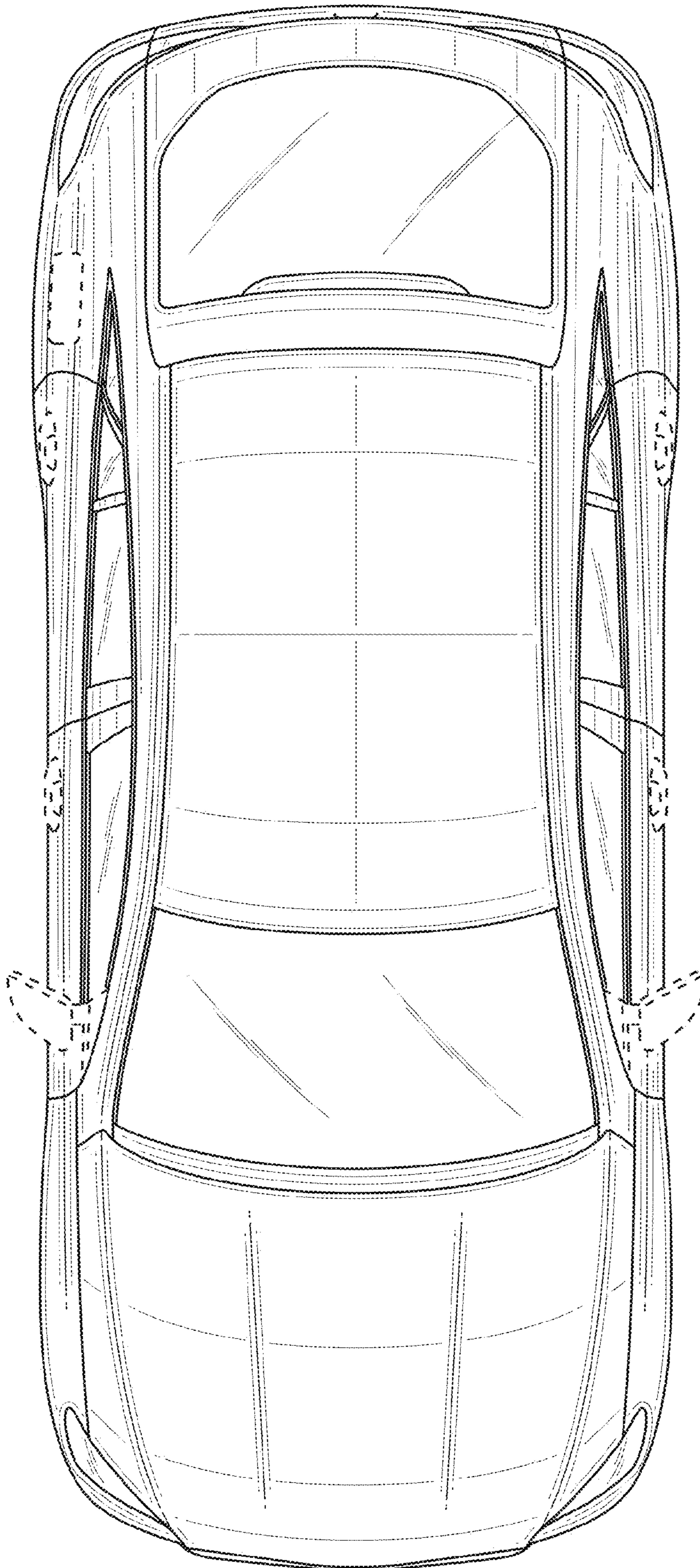


FIG. 7